



US00D904494S

(12) **United States Design Patent**
Deng

(10) **Patent No.:** **US D904,494 S**

(45) **Date of Patent:** **** Dec. 8, 2020**

(54) **PROJECTOR**

(71) Applicant: **Feiyue Deng**, Rong County (CN)

(72) Inventor: **Feiyue Deng**, Rong County (CN)

(**) Term: **15 Years**

(21) Appl. No.: **29/697,715**

(22) Filed: **Jul. 10, 2019**

(51) **LOC (12) Cl.** **16-02**

(52) **U.S. Cl.**
USPC **D16/229; D16/230**

(58) **Field of Classification Search**
USPC D16/221, 225, 227, 229-231, 234, 203,
D16/208; D21/514; 353/115, 119-120,
353/122

CPC G03B 21/145; G03B 21/14; G03B 21/16;
G03B 21/12; G03B 21/001; G03B
21/003; G03B 21/00

See application file for complete search history.

(56) **References Cited**

U.S. PATENT DOCUMENTS

D391,591 S *	3/1998	Kikuchi	D16/229
9,667,924 B2 *	5/2017	Mukai	G03B 21/145
D844,043 S *	3/2019	Shibuya	D16/230
D848,517 S *	5/2019	Shibuya	D16/230
2016/0011495 A1 *	1/2016	Takagi	G03B 21/145 353/119
2020/0186763 A1 *	6/2020	Chen	G03B 21/145

FOREIGN PATENT DOCUMENTS

CN 304139538 * 12/2016

* cited by examiner

Primary Examiner — Wan Laymon

(74) *Attorney, Agent, or Firm* — Hemisphere Law, PLLC;
Zhigang Ma

(57) **CLAIM**

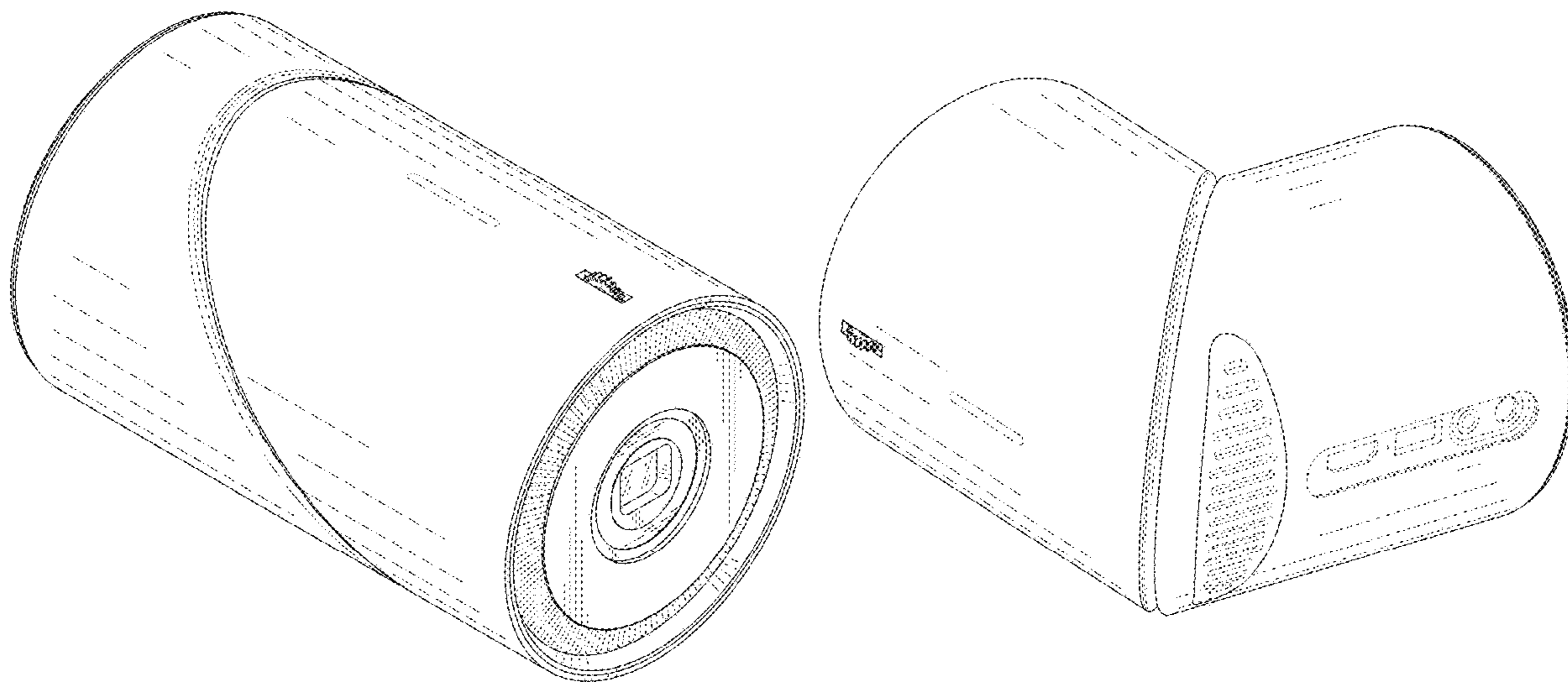
The ornamental design for a projector, as shown and described.

DESCRIPTION

FIG. 1 is a perspective view of a projector showing my new design;
FIG. 2 is another perspective view seen from the back side thereof;
FIG. 3 is a front elevational view thereof;
FIG. 4 is a left side elevational view thereof;
FIG. 5 is a right side elevational view thereof;
FIG. 6 is a top plan view thereof;
FIG. 7 is a bottom plan view thereof; and,
FIG. 8 is a transformed perspective view thereof showing an L shape in use.

The broken lines are for illustrating unclaimed portions of the projector or environmental structures, the broken lines form no part of the claimed design.

1 Claim, 8 Drawing Sheets



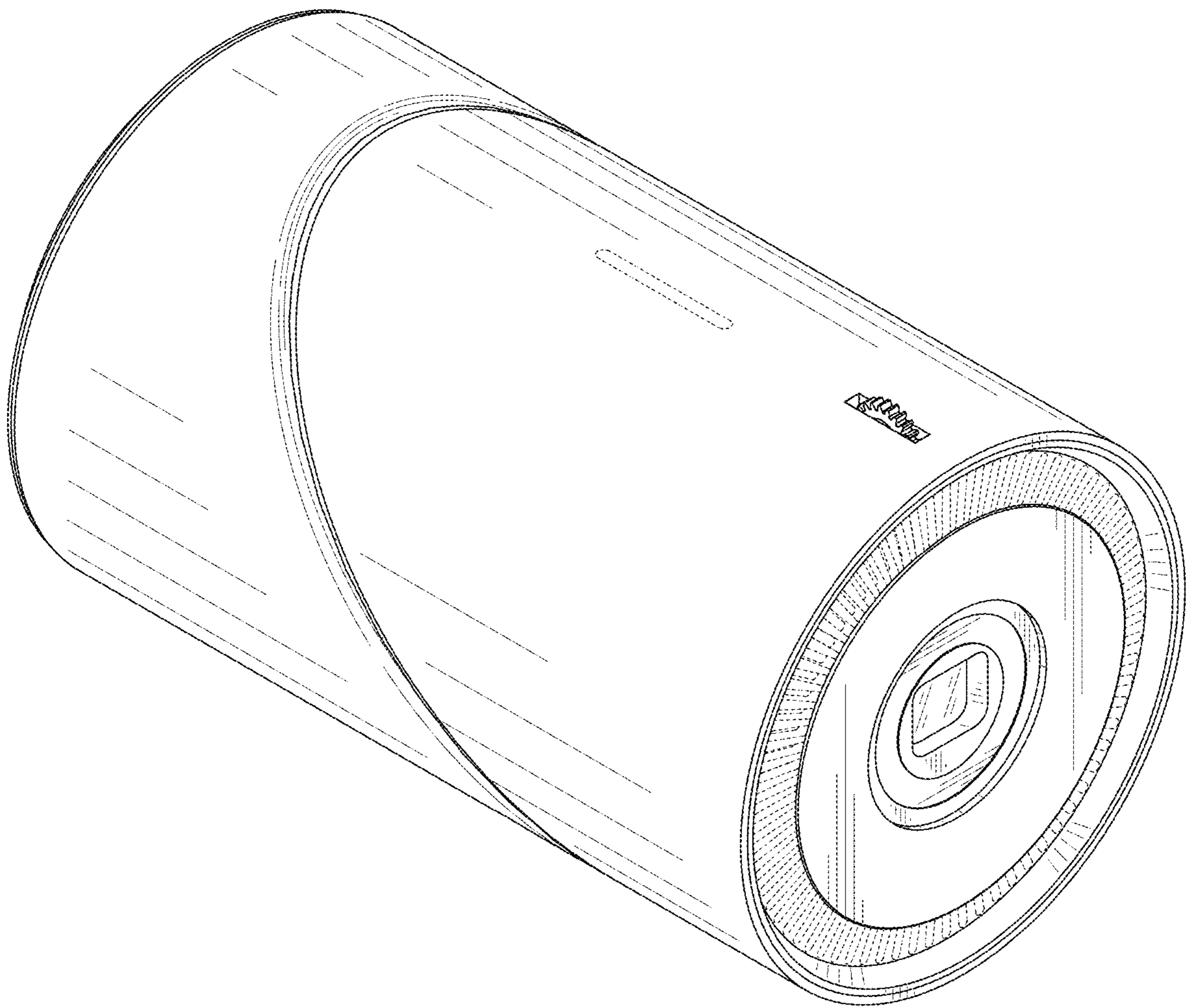


FIG. 1

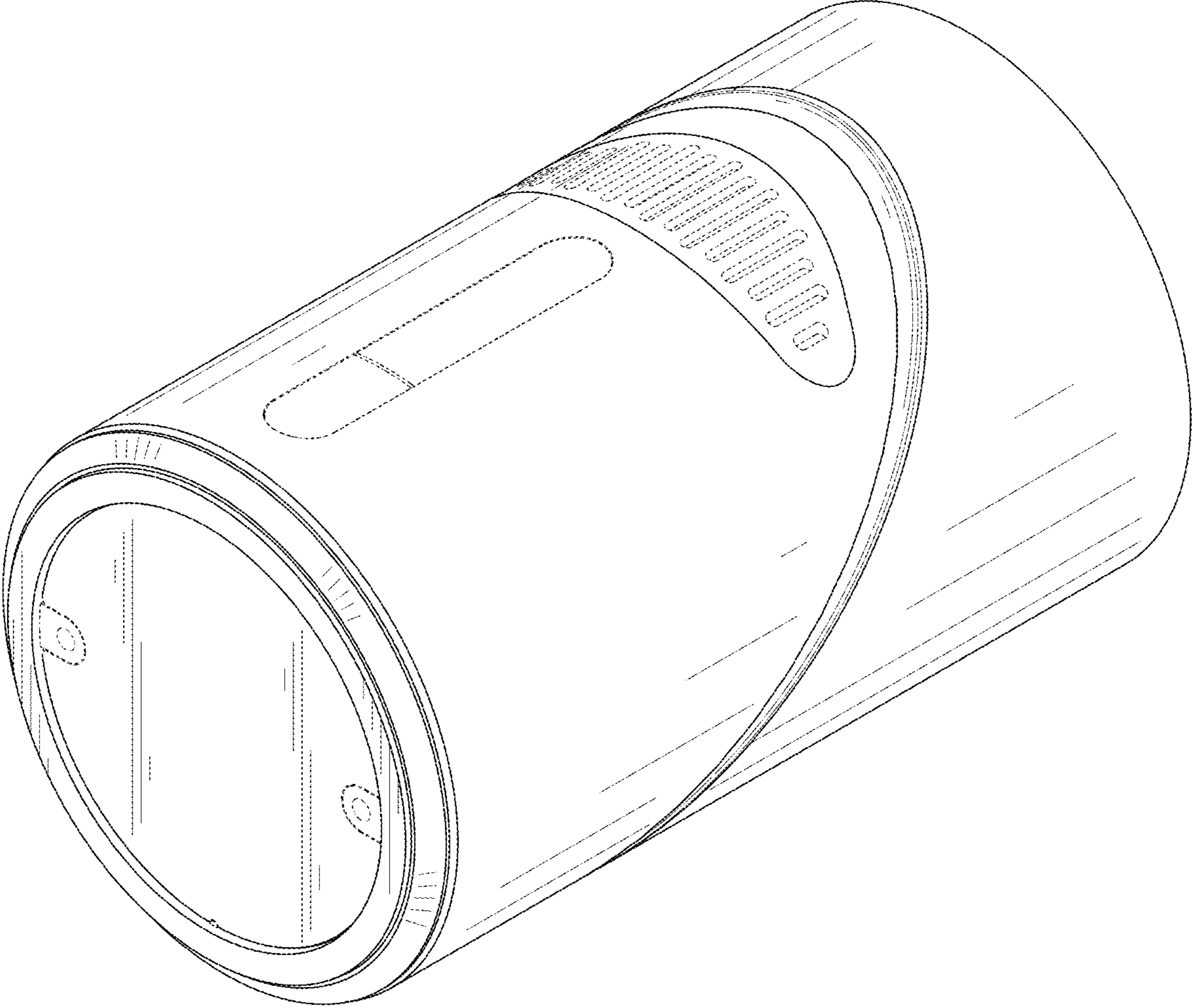


FIG. 2

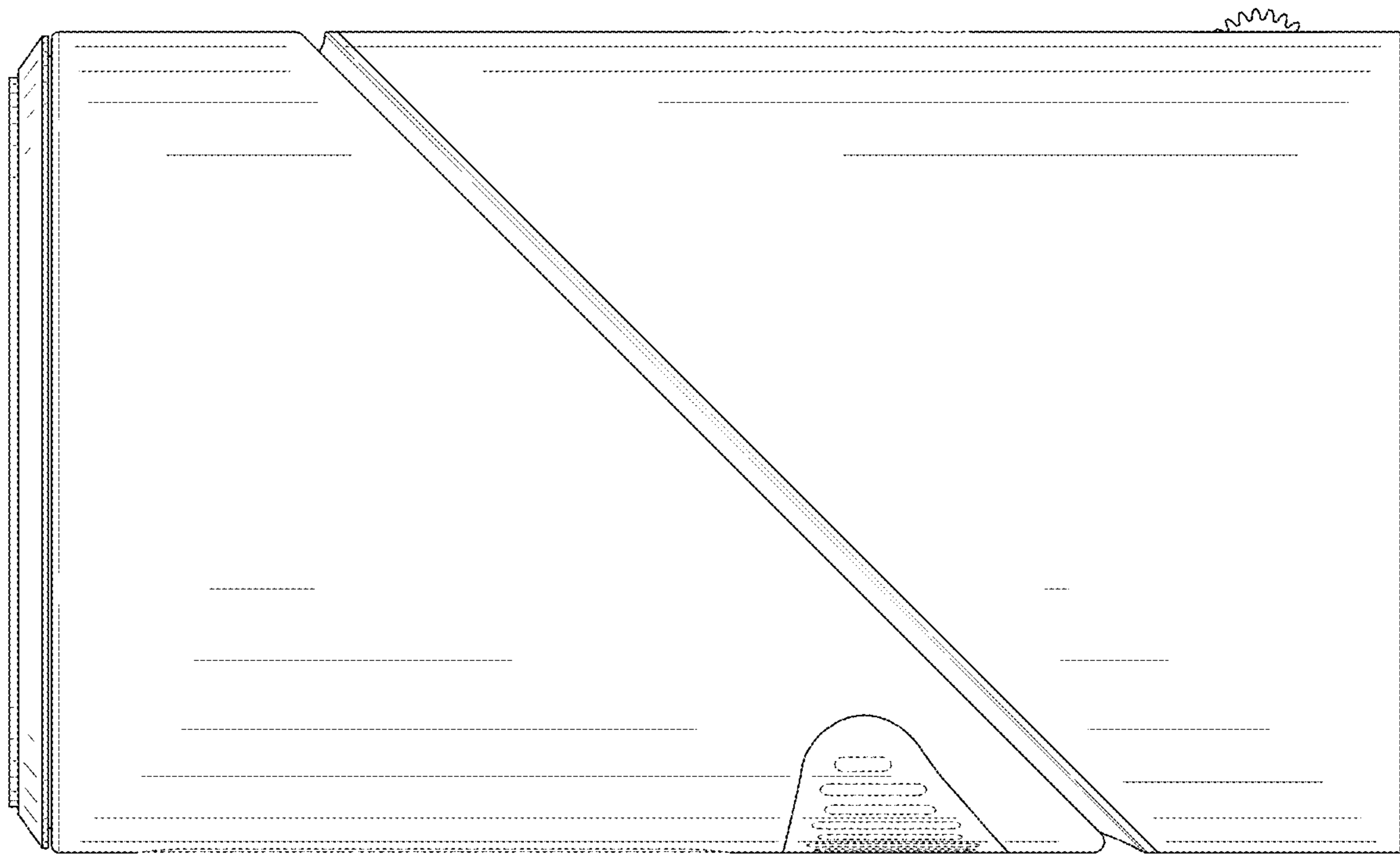


FIG. 3

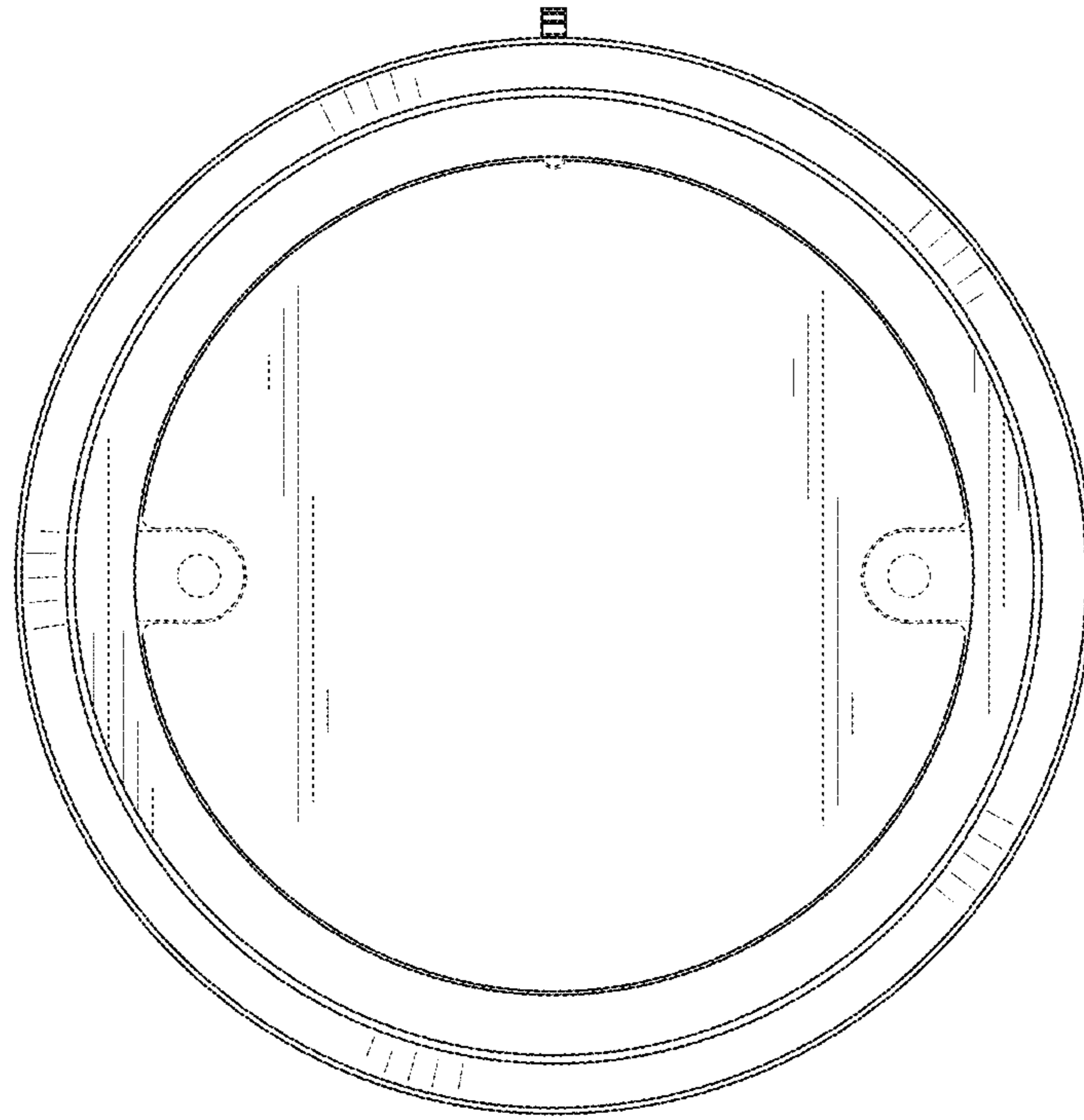


FIG. 4

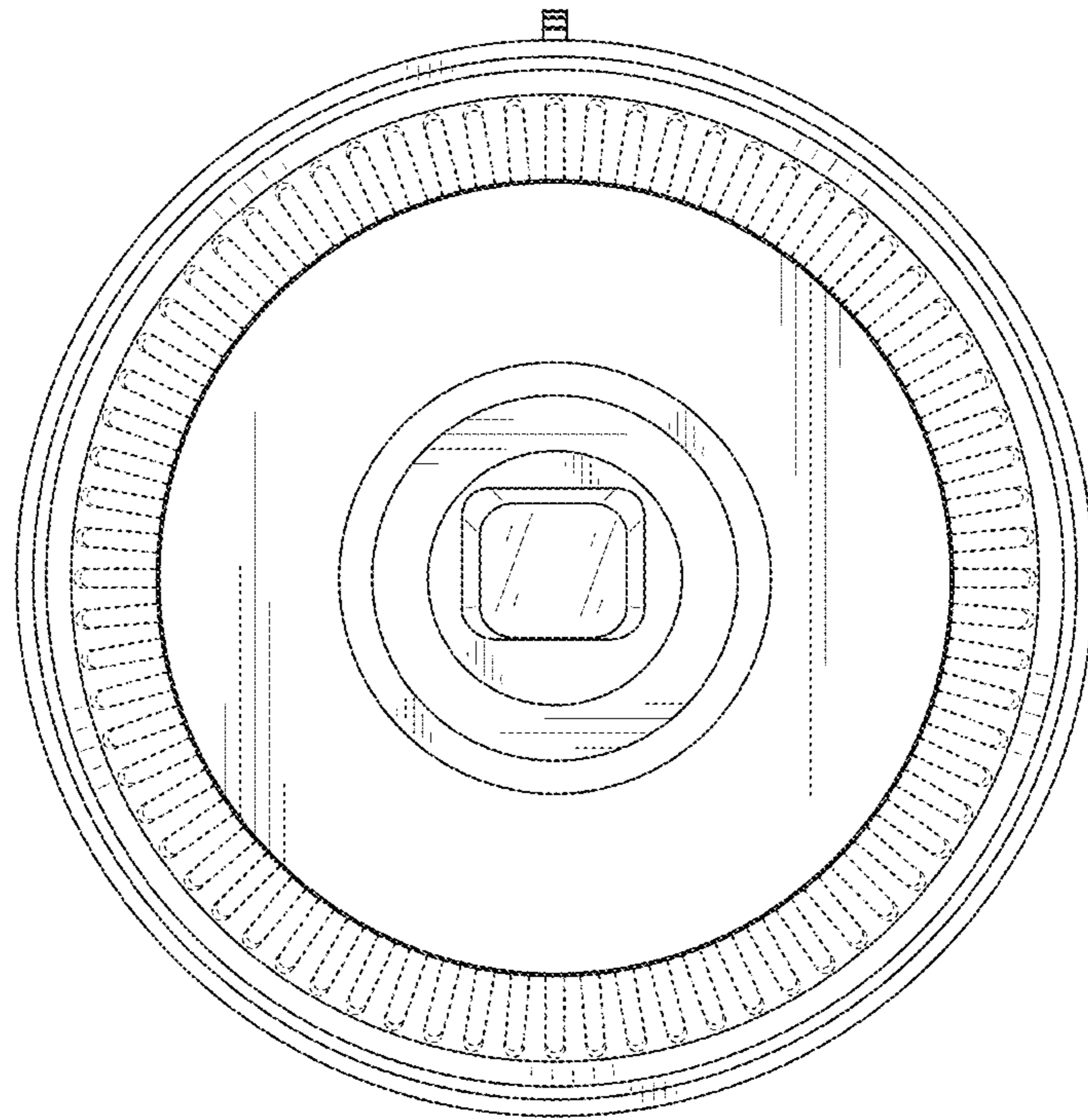


FIG. 5

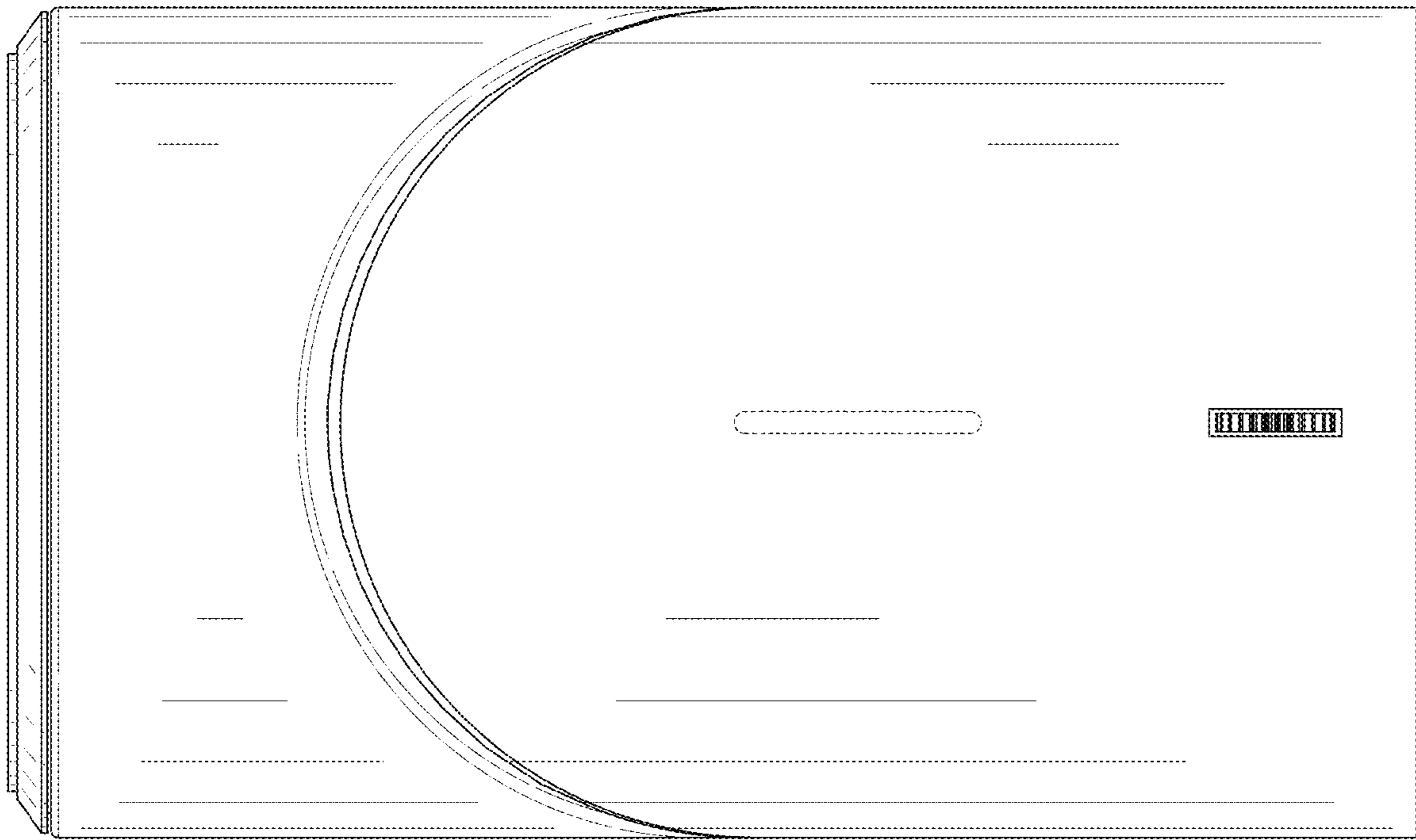


FIG. 6

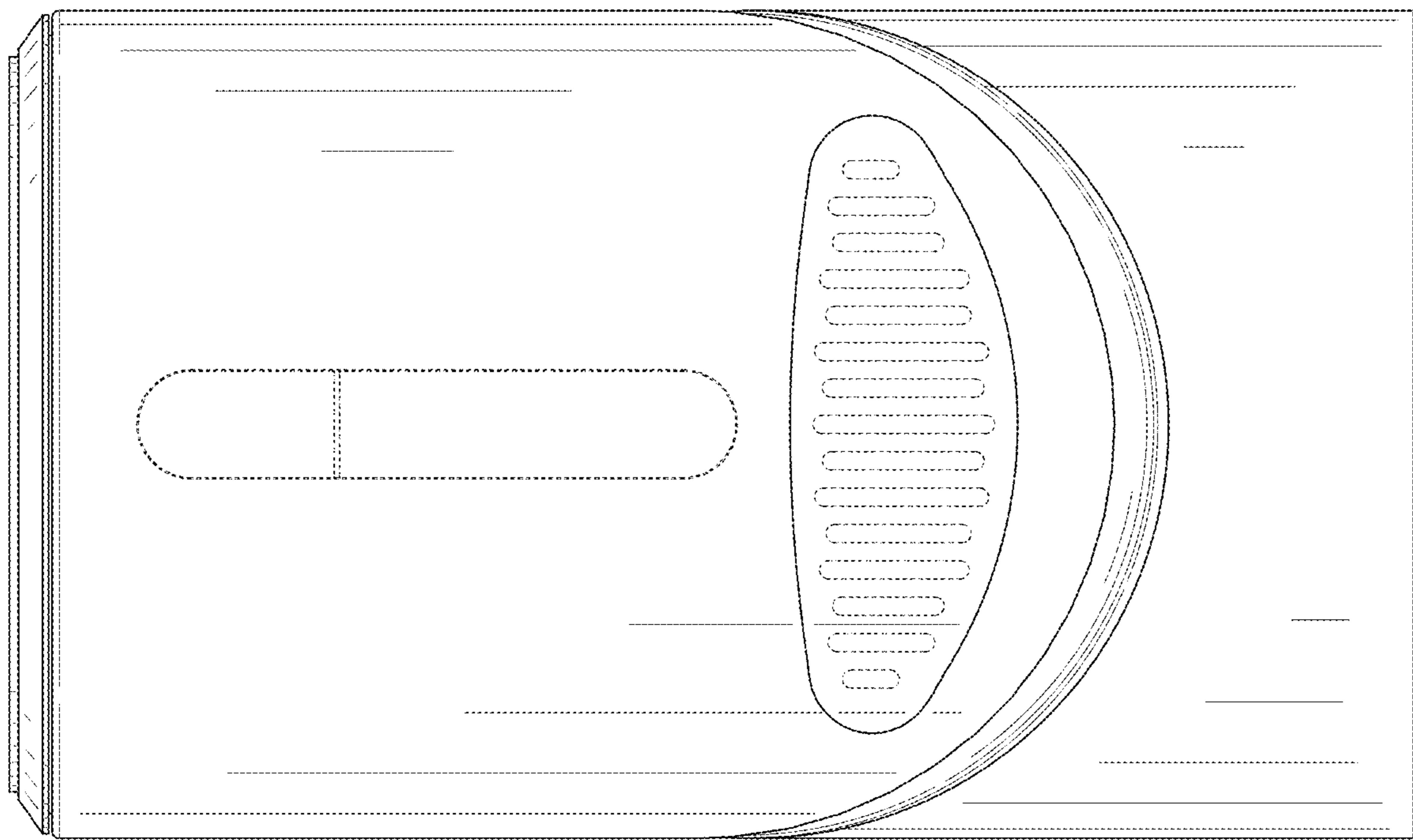


FIG. 7

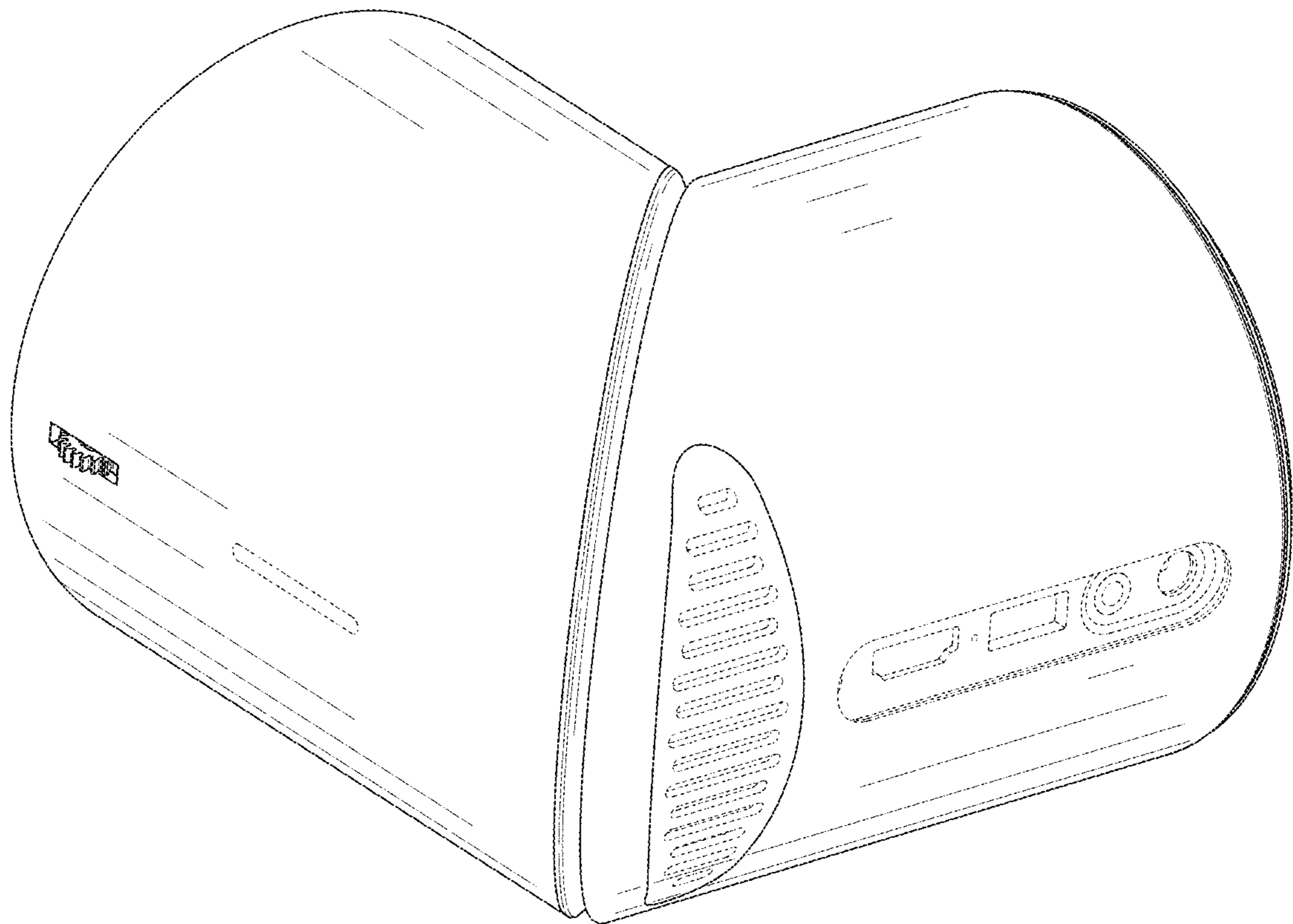


FIG. 8