



US00D904492S

(12) **United States Design Patent** (10) **Patent No.:** **US D904,492 S**
Saito (45) **Date of Patent:** **** Dec. 8, 2020**

(54) **LENS FOR CAMERA**
(71) Applicant: **FUJIFILM Corporation**, Tokyo (JP)
(72) Inventor: **Taiki Saito**, Saitama (JP)
(73) Assignee: **FUJIFILM Corporation**, Tokyo (JP)
(**) Term: **15 Years**
(21) Appl. No.: **29/705,992**
(22) Filed: **Sep. 17, 2019**
(51) **LOC (12) Cl.** **16-05**
(52) **U.S. Cl.**
USPC **D16/219**
(58) **Field of Classification Search**
USPC D16/134, 136, 200, 202-205, 218, 219,
D16/235, 242; 348/373-376;
359/826-828; 396/529-532, 535,
396/539-541
CPC G03B 17/02; G03B 19/04; G03B 17/56;
G03B 17/04; G03B 15/03; G03B 17/14;
H04N 5/2251; H04N 5/2252; H04N
5/2253; H04N 5/2254; G02B 7/02; G02B
7/04; G02B 7/14
See application file for complete search history.

(56) **References Cited**
U.S. PATENT DOCUMENTS
D412,922 S * 8/1999 Sekine D16/134
D562,862 S * 2/2008 Yasutomi D16/134

D562,864 S * 2/2008 Yasutomi D16/134
D562,865 S * 2/2008 Yasutomi D16/134
D802,045 S * 11/2017 Chalenko D16/219
D836,152 S * 12/2018 Ikegame D16/219
D837,276 S * 1/2019 Ikegame D16/219
D837,277 S * 1/2019 Ikegame D16/219
D857,080 S * 8/2019 Kamei D16/219
D867,430 S * 11/2019 Ikegame D16/219
D873,327 S * 1/2020 Weber D16/219
D881,262 S * 4/2020 Ikegame D16/219
D882,668 S * 4/2020 Ikegame D16/219

* cited by examiner
Primary Examiner — Ramzi S Almatrahi
(74) *Attorney, Agent, or Firm* — Studebaker & Brackett
PC

(57) **CLAIM**
The ornamental design for a lens for camera, as shown and described.

DESCRIPTION
FIG. 1 is a top, front and left side perspective view of a lens for camera showing my new design;
FIG. 2 is a top, rear and right side perspective view thereof;
FIG. 3 is a front view thereof;
FIG. 4 is a rear view thereof;
FIG. 5 is a top plan view thereof;
FIG. 6 is a bottom plan view thereof;
FIG. 7 is a right side view thereof; and,
FIG. 8 is a left side view thereof.

1 Claim, 8 Drawing Sheets

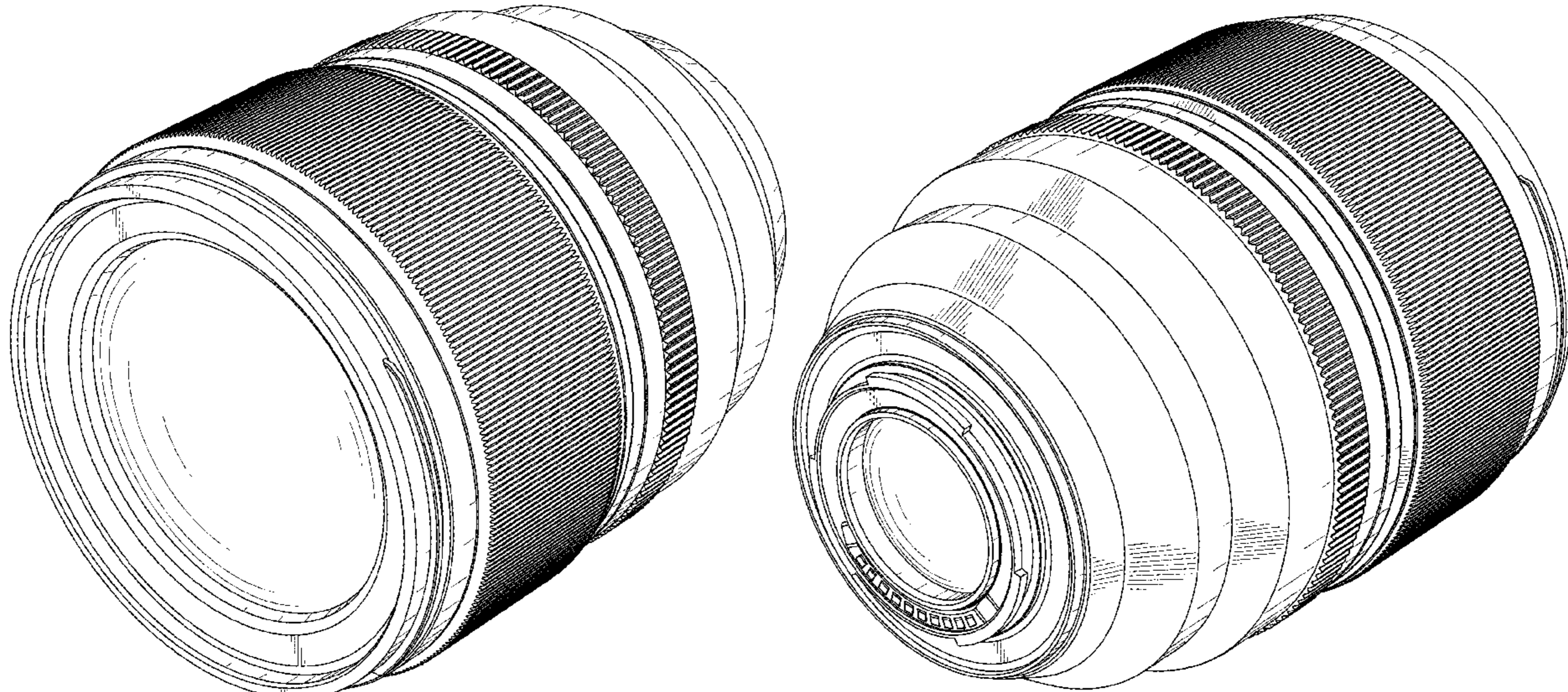


FIG. 1

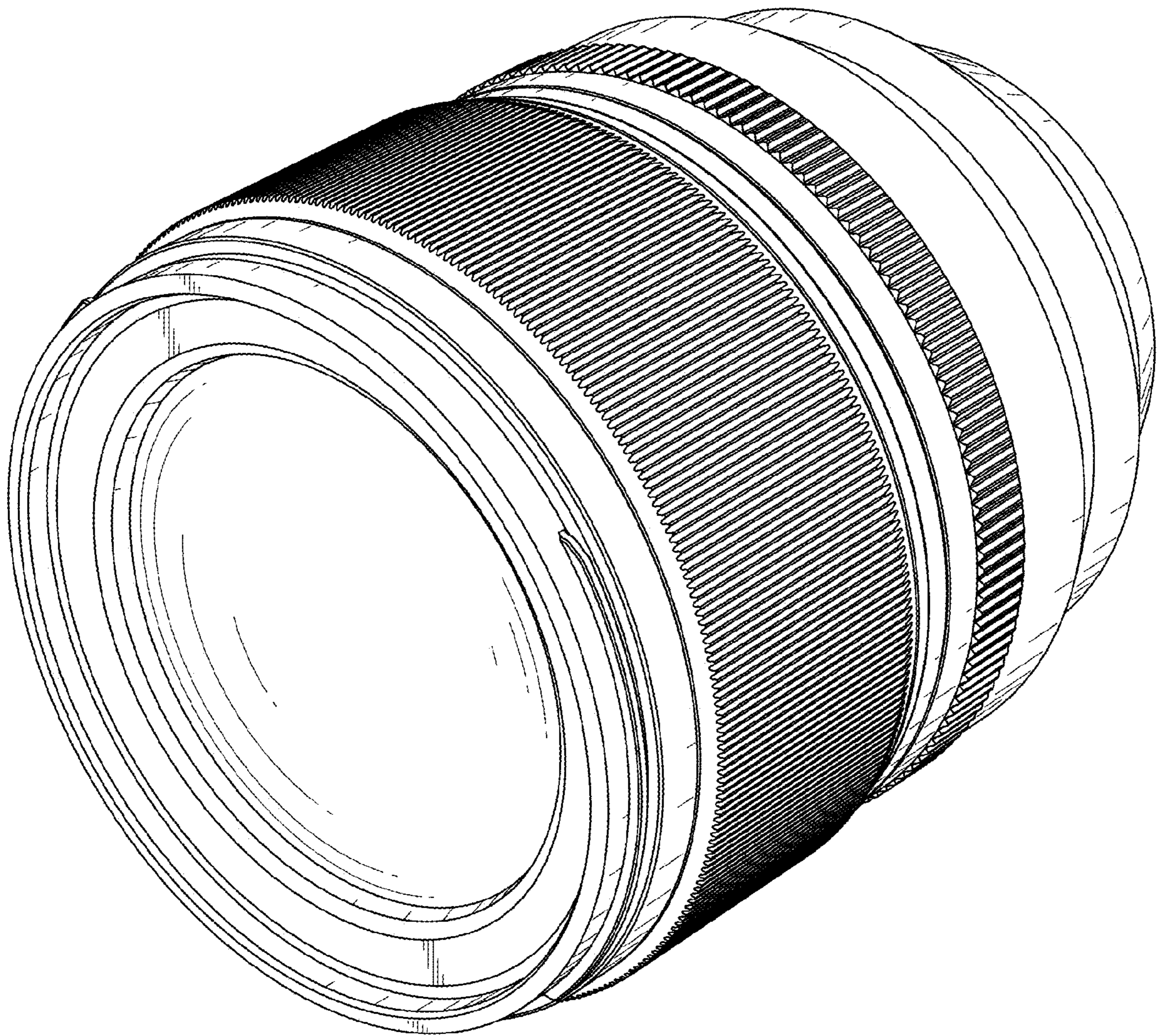


FIG. 2

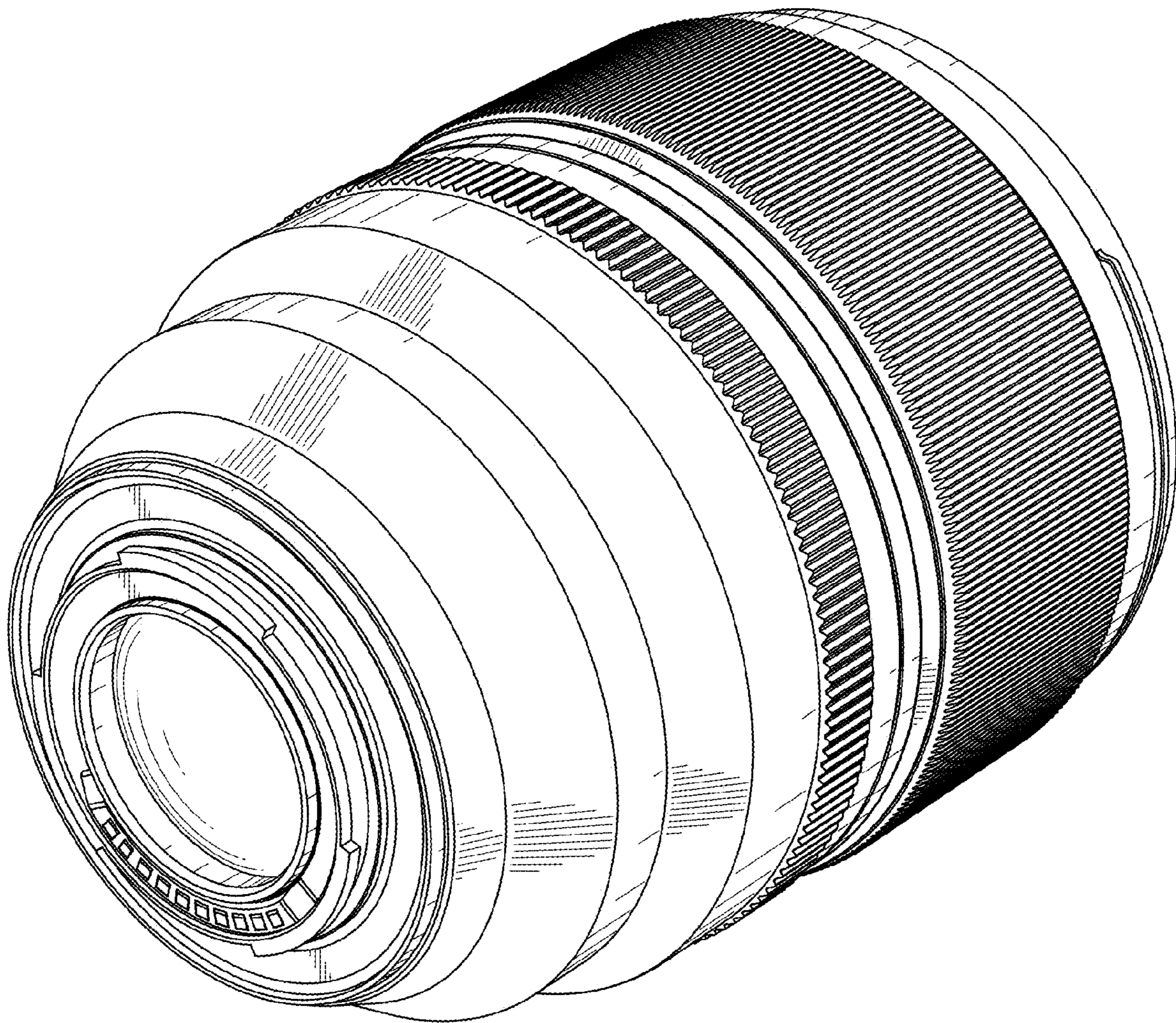


FIG. 3

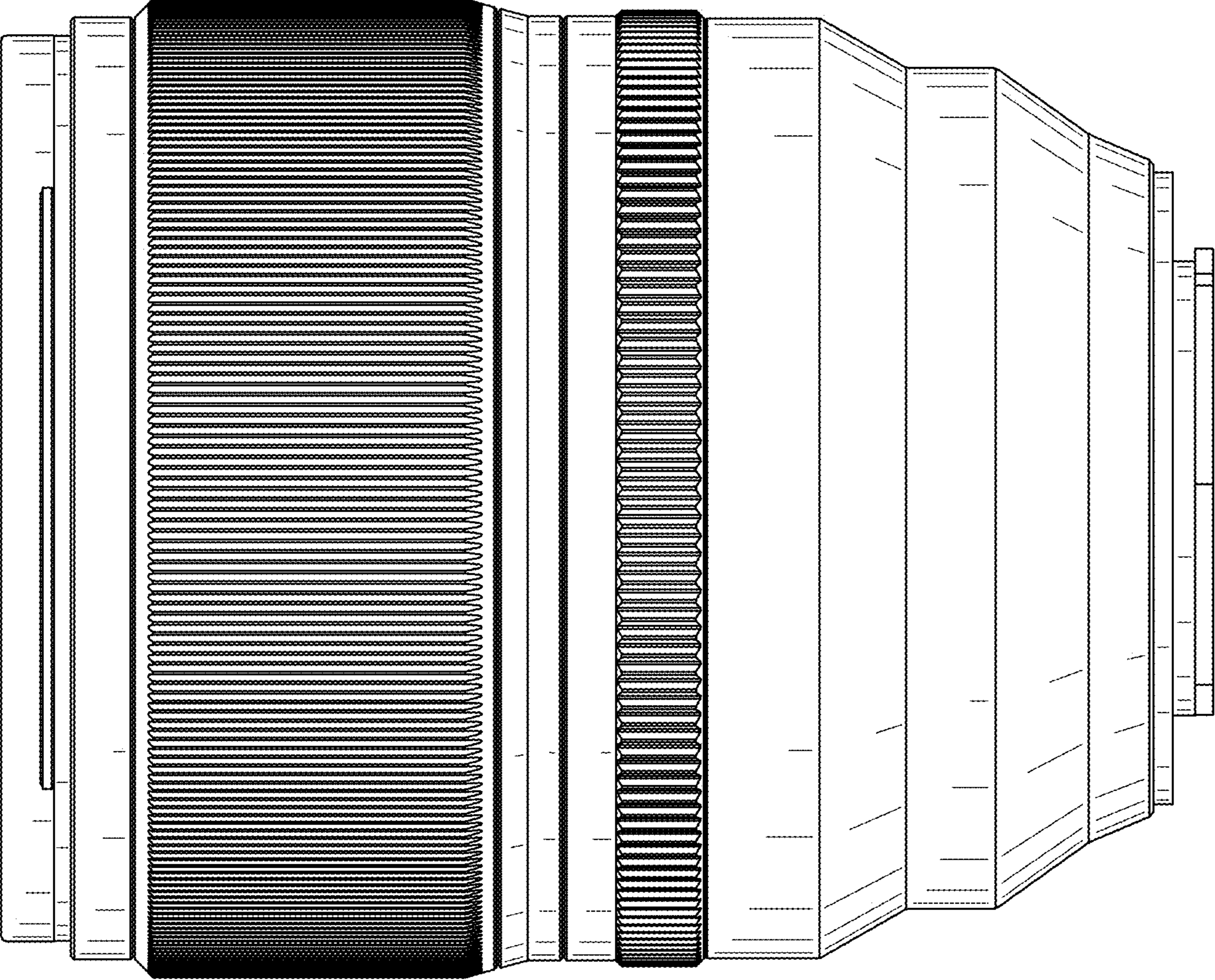


FIG. 4

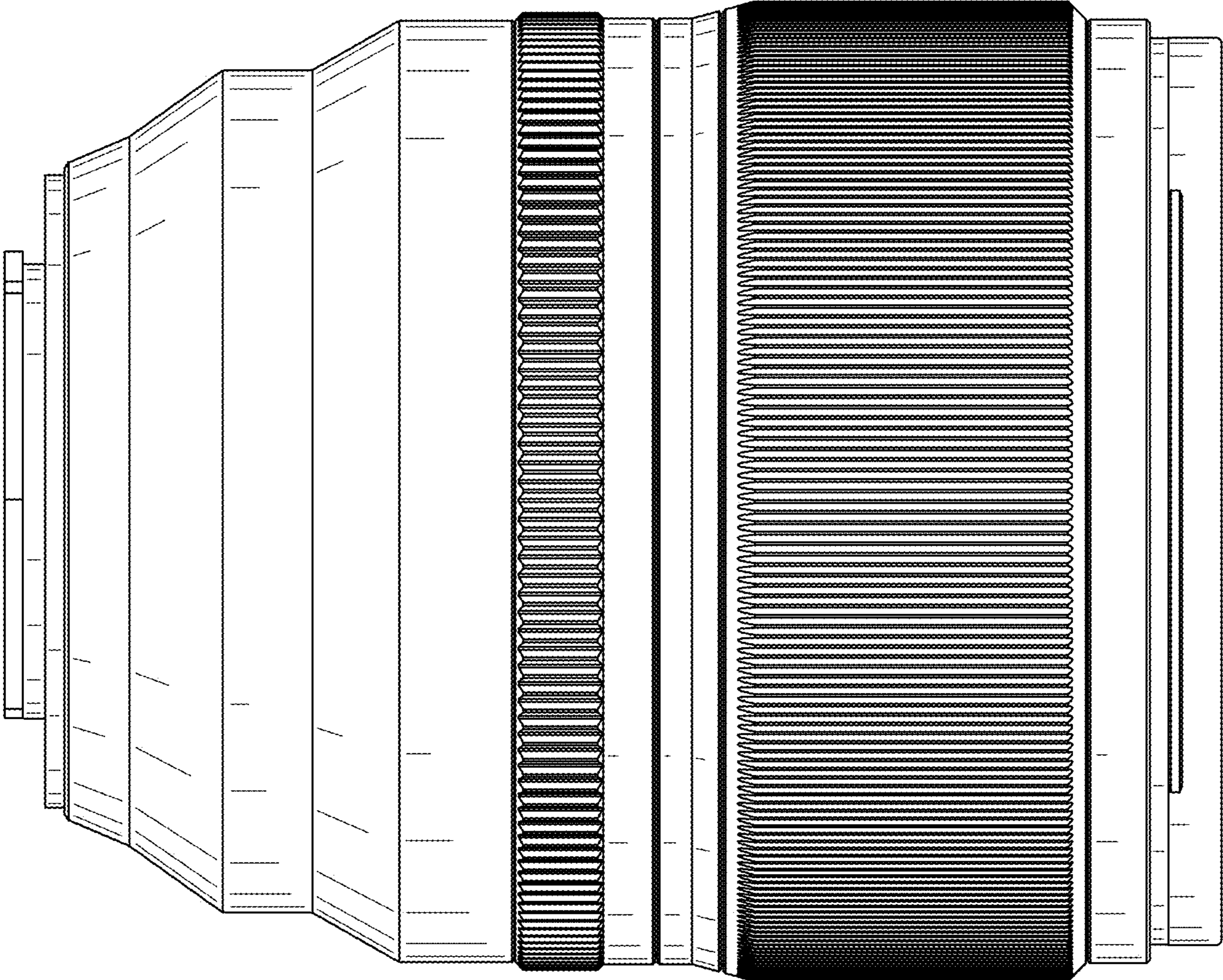


FIG. 5

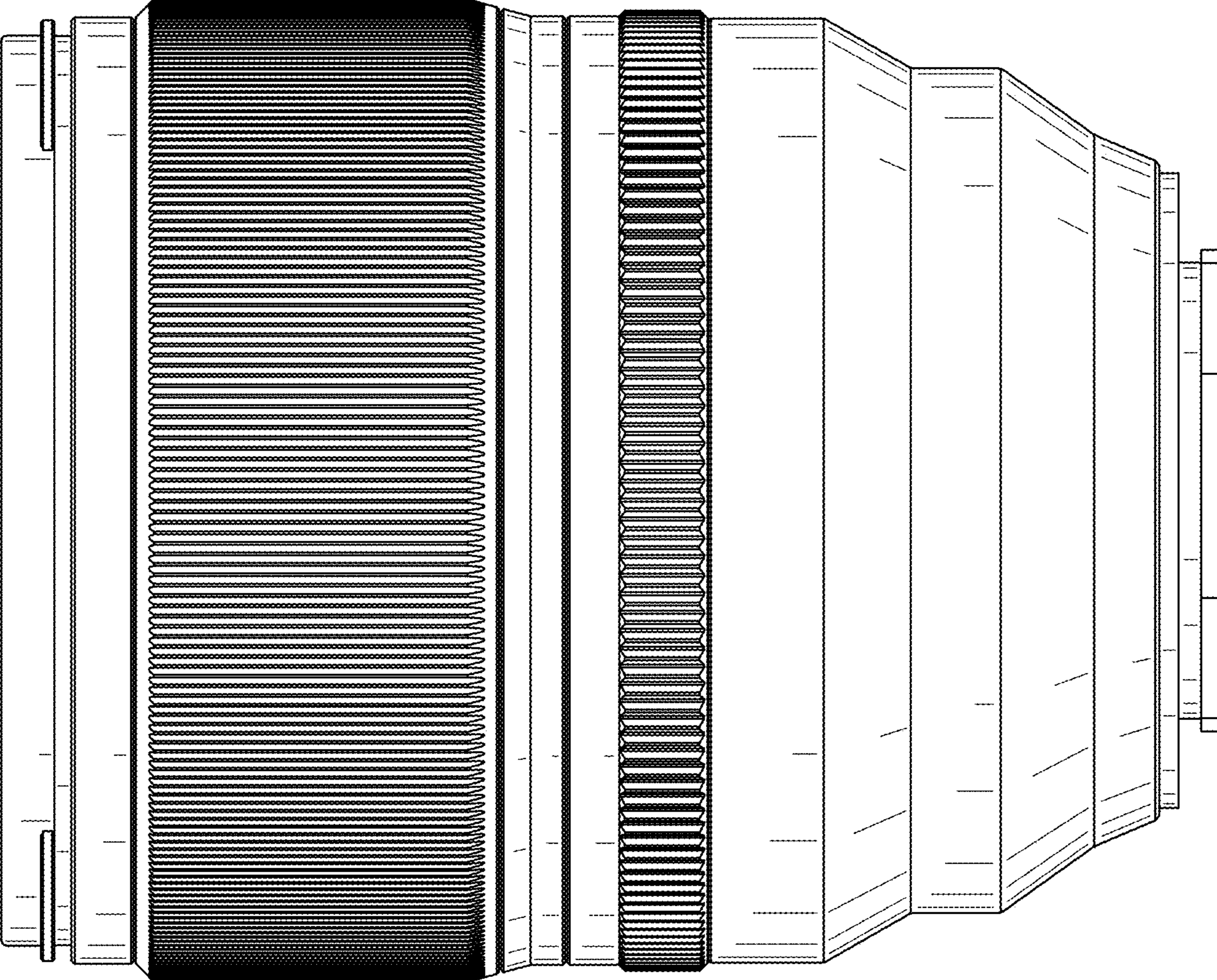


FIG. 6

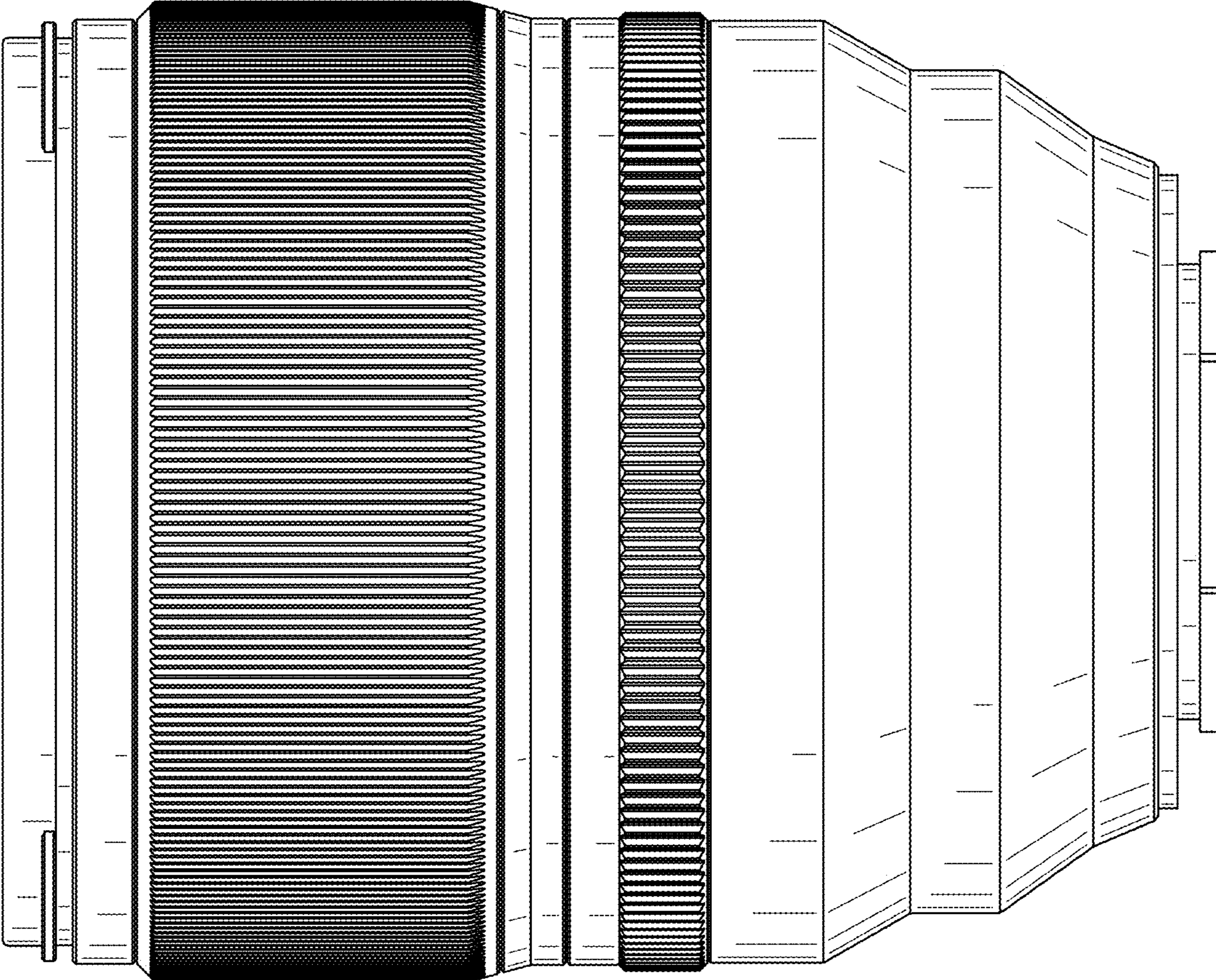


FIG. 7

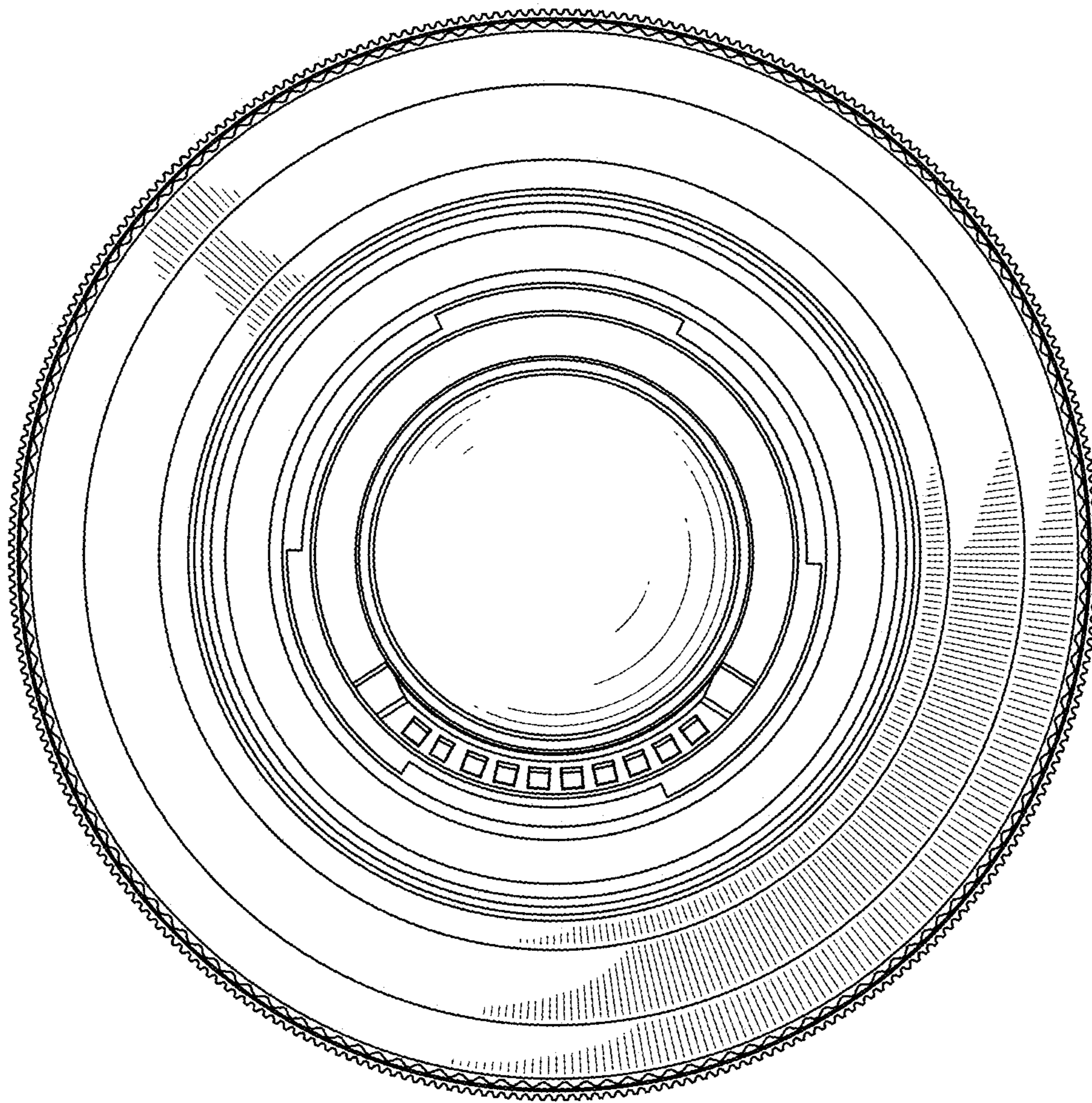


FIG. 8

