

US00D904491S

(12) **United States Design Patent**  
**Sakai**

(10) **Patent No.:** **US D904,491 S**

(45) **Date of Patent:** **\*\* Dec. 8, 2020**

(54) **LENS FOR CAMERA**

(71) Applicant: **FUJIFILM Corporation**, Tokyo (JP)

(72) Inventor: **Hiroyuki Sakai**, Saitama (JP)

(73) Assignee: **FUJIFILM Corporation**, Tokyo (JP)

(\*\*) Term: **15 Years**

(21) Appl. No.: **29/641,203**

(22) Filed: **Mar. 20, 2018**

(30) **Foreign Application Priority Data**

Sep. 26, 2017 (JP) ..... 2017-021029

(51) **LOC (12) Cl.** ..... **16-05**

(52) **U.S. Cl.**  
USPC ..... **D16/219**

(58) **Field of Classification Search**  
USPC ..... D16/134, 136, 200, 202–205, 218, 219,  
D16/235, 242; 348/373–376;  
359/826–828; 396/529–532, 535,  
396/539–541

CPC ..... G03B 17/02; G03B 19/04; G03B 17/56;  
G03B 17/04; G03B 15/03; G03B 17/14;  
H04N 5/2251; H04N 5/2252; H04N  
5/2253; H04N 5/2254; G02B 7/02; G02B  
7/04; G02B 7/14

See application file for complete search history.

(56) **References Cited**

**U.S. PATENT DOCUMENTS**

D559,884 S \* 1/2008 Tokiwa ..... D16/134  
D572,291 S \* 7/2008 Aiba ..... D16/134  
D717,356 S \* 11/2014 Nikaido ..... D16/219  
D750,689 S \* 3/2016 Oh ..... D16/219

D764,562 S \* 8/2016 Kim ..... D16/219  
D768,226 S \* 10/2016 Kawamura ..... D16/219  
D771,731 S \* 11/2016 Yoshiyama ..... D16/219  
D781,949 S \* 3/2017 Lee ..... D16/219  
D783,700 S \* 4/2017 Tagawa ..... D16/219  
D836,152 S \* 12/2018 Ikegame ..... D16/219  
D842,918 S \* 3/2019 Sakai ..... D16/219  
D843,432 S \* 3/2019 Sakai ..... D16/219  
D857,778 S \* 8/2019 Sakai ..... D16/219

\* cited by examiner

*Primary Examiner* — Ramzi S Almatrahi

(74) *Attorney, Agent, or Firm* — Birch, Stewart, Kolasch & Birch, LLP

(57) **CLAIM**

The ornamental design for a lens for camera, as shown and described.

**DESCRIPTION**

The file of this patent contains at least one drawing executed in color. Copies of this patent with color drawings will be provided by the United States Patent and Trademark Office upon request and payment of the necessary fee.

FIG. 1 is a top and left side perspective view of a lens for camera showing my new design;

FIG. 2 is a top and right side perspective view thereof;

FIG. 3 is a front view thereof;

FIG. 4 is a rear view thereof;

FIG. 5 is a top plan view thereof;

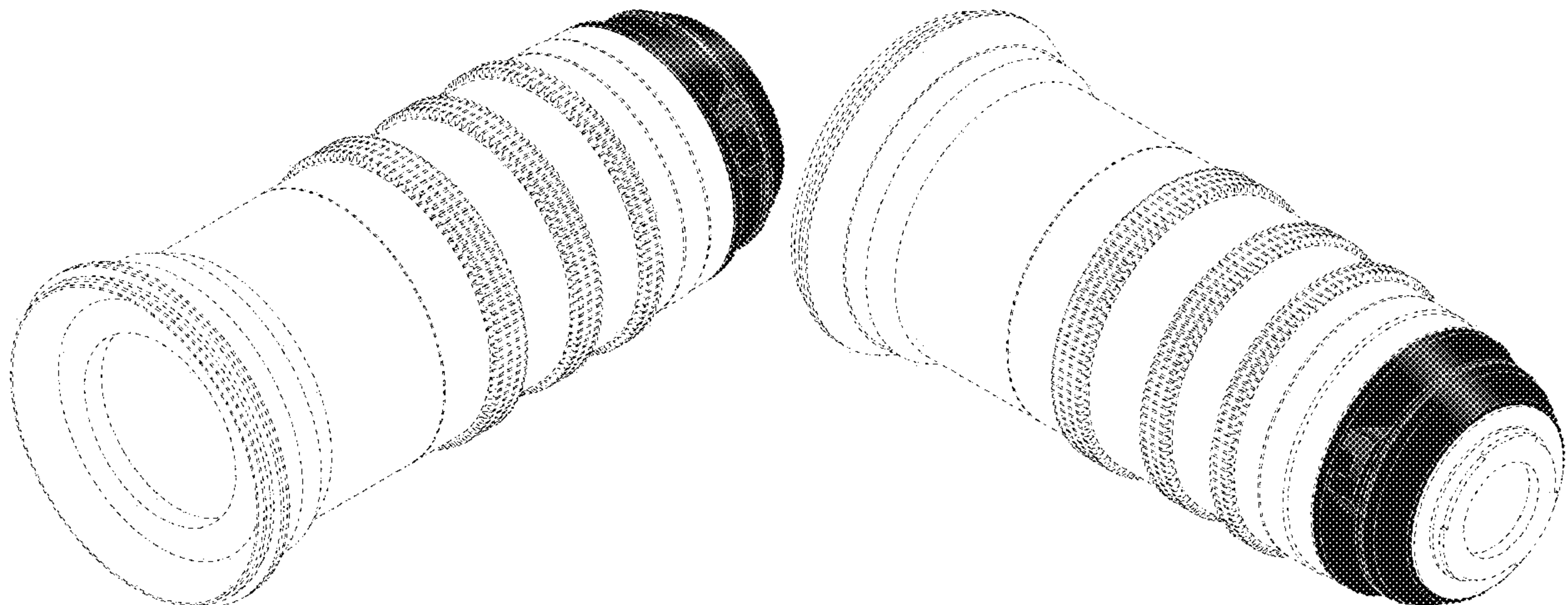
FIG. 6 is a bottom plan view thereof;

FIG. 7 is a right side view thereof; and,

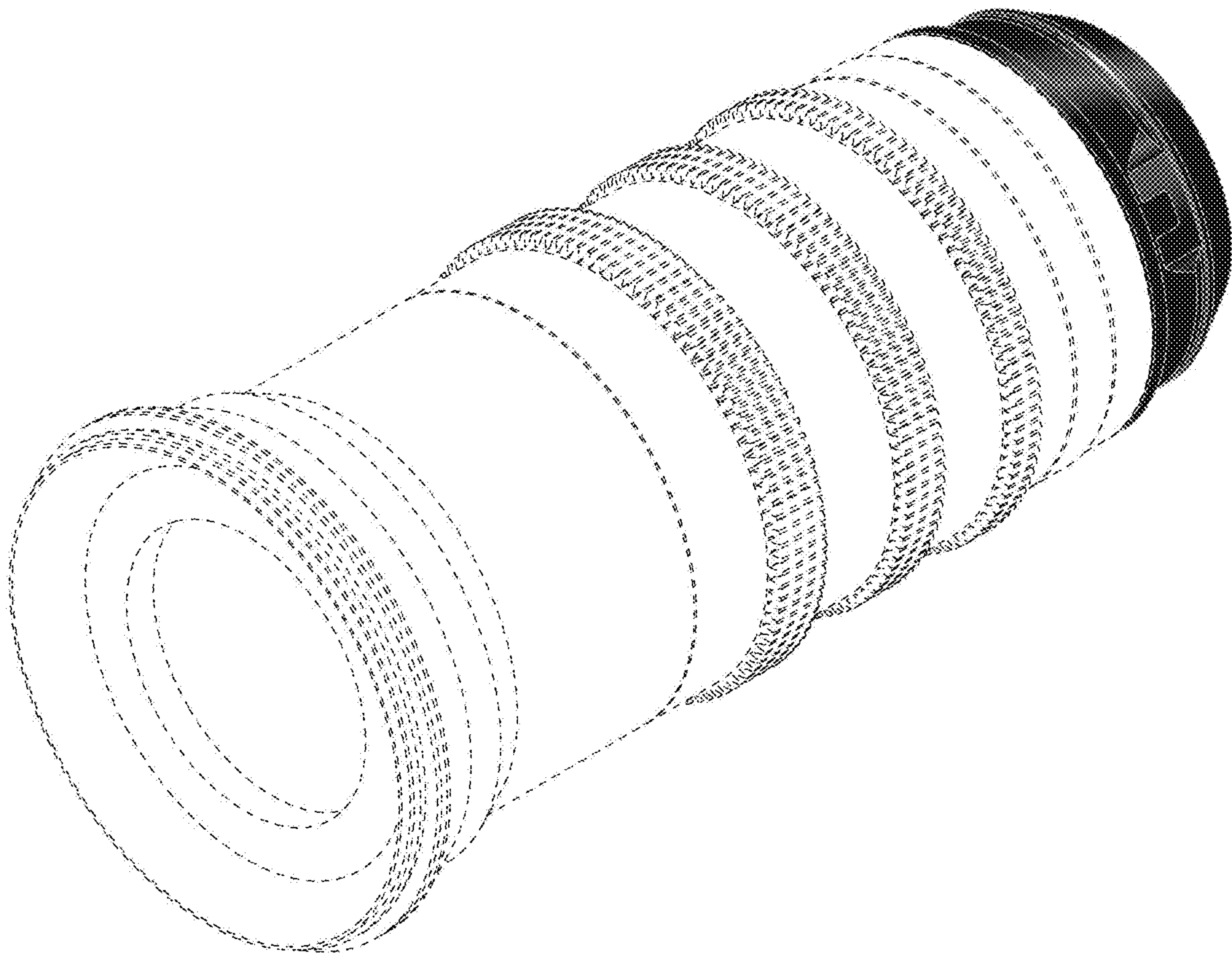
FIG. 8 is a left side view thereof.

The broken lines depict portions of the lens for camera in which the design is embodied that form no part of the claimed design.

**1 Claim, 5 Drawing Sheets**  
**(5 of 5 Drawing Sheet(s) Filed in Color)**

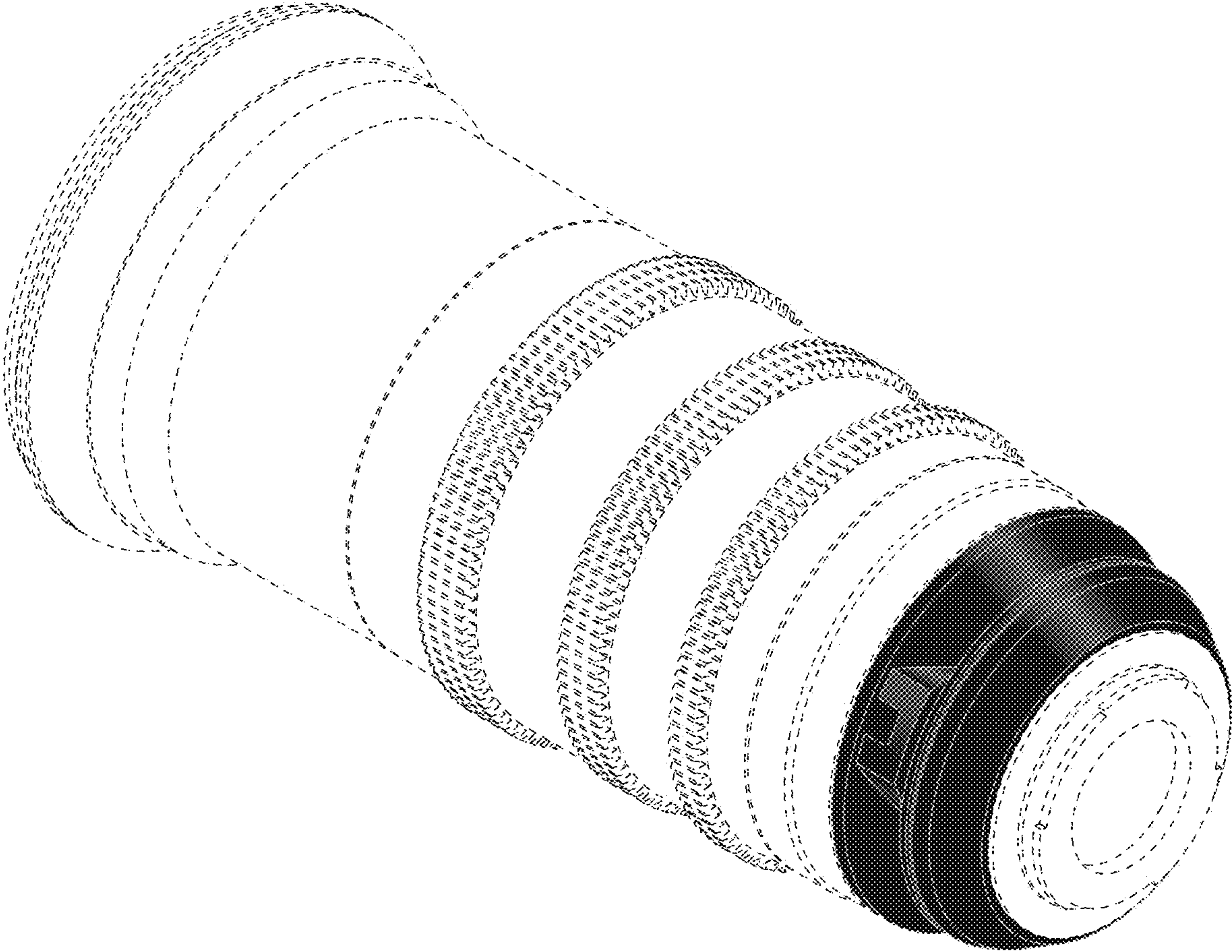


**FIG. 1**

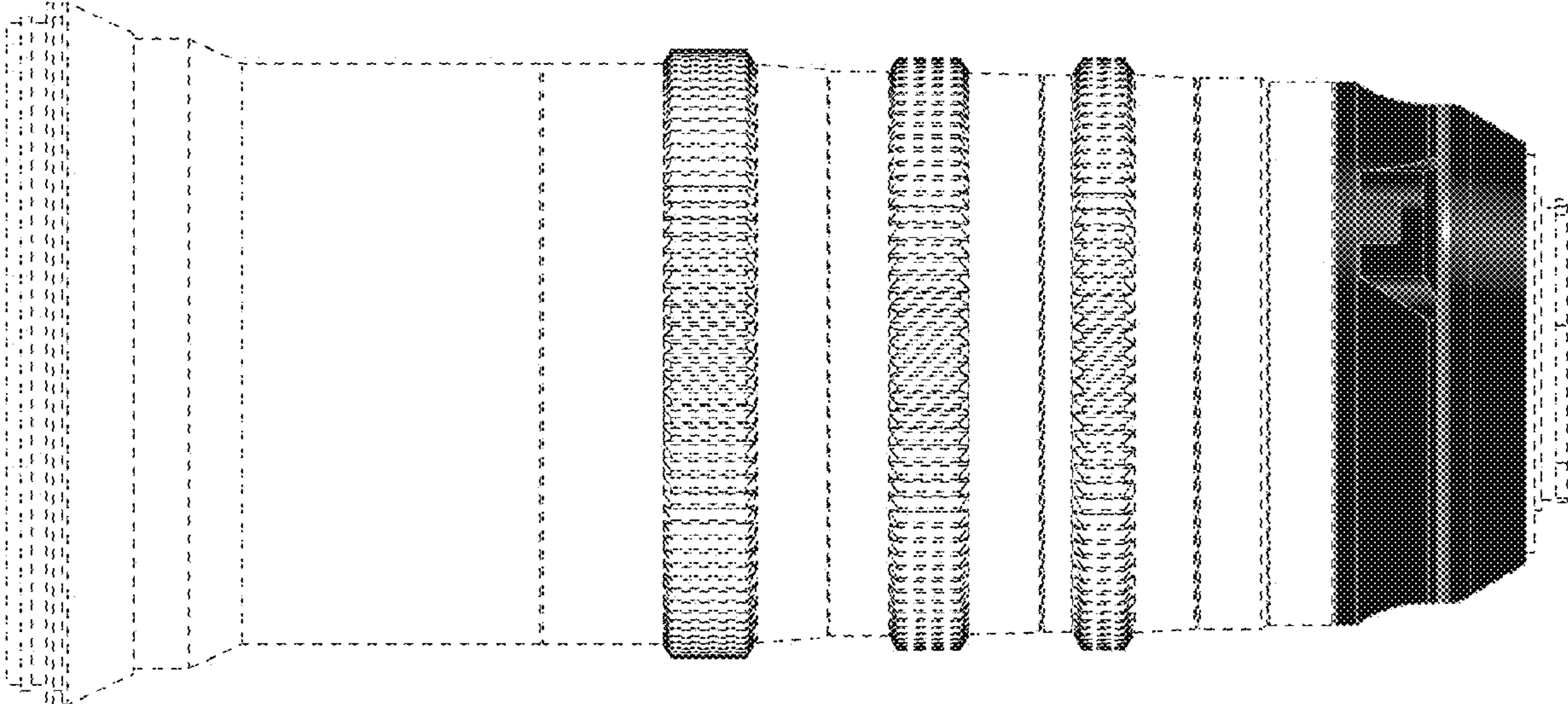




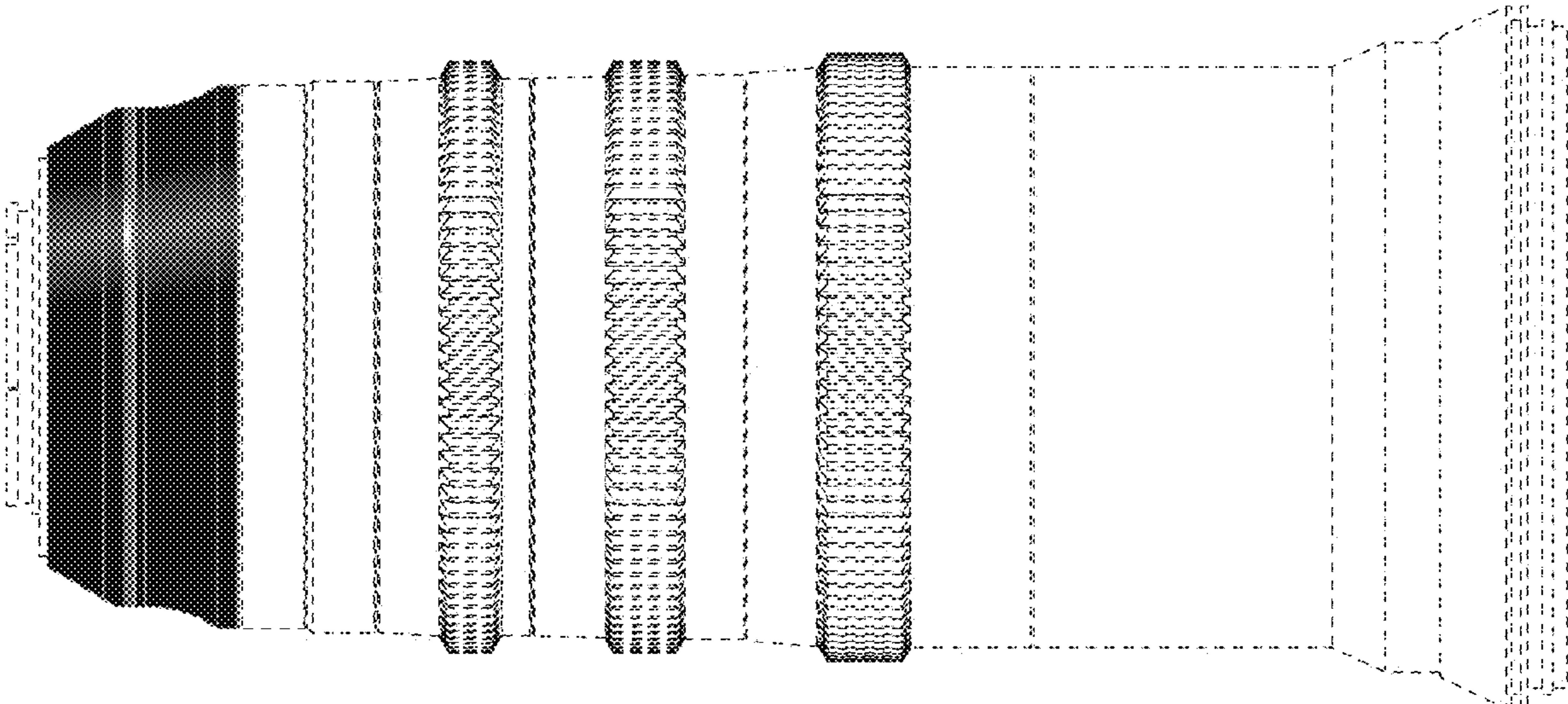
**FIG. 2**



**FIG. 3**

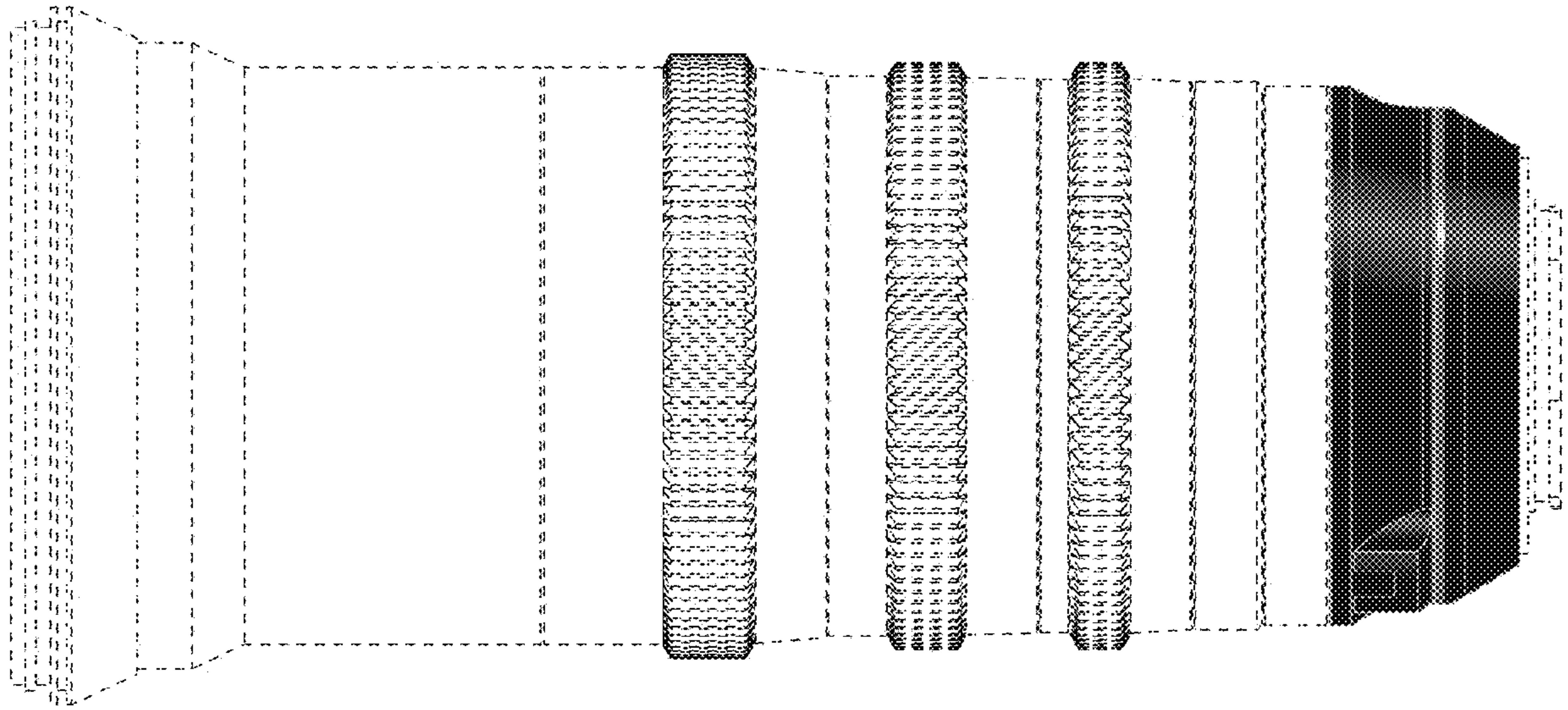


**FIG. 4**

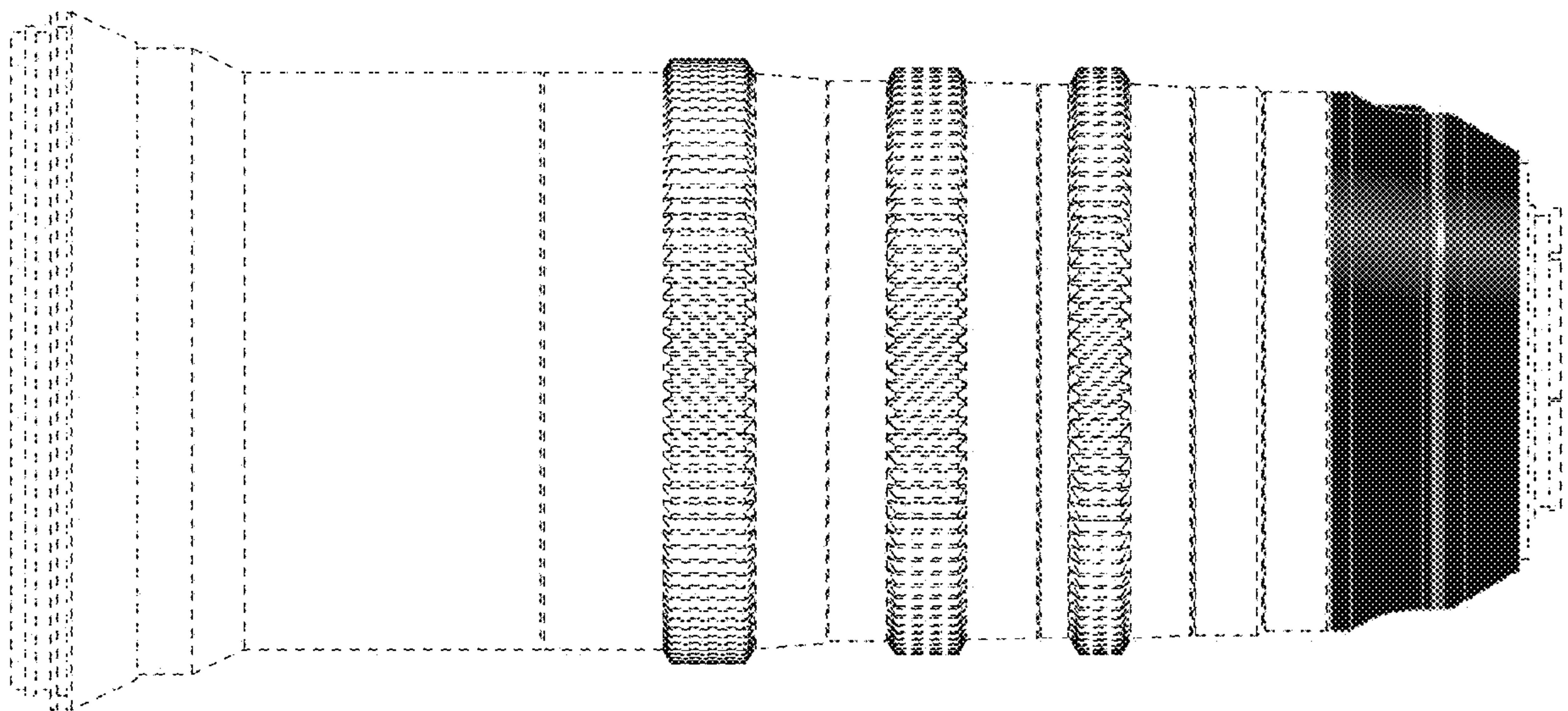




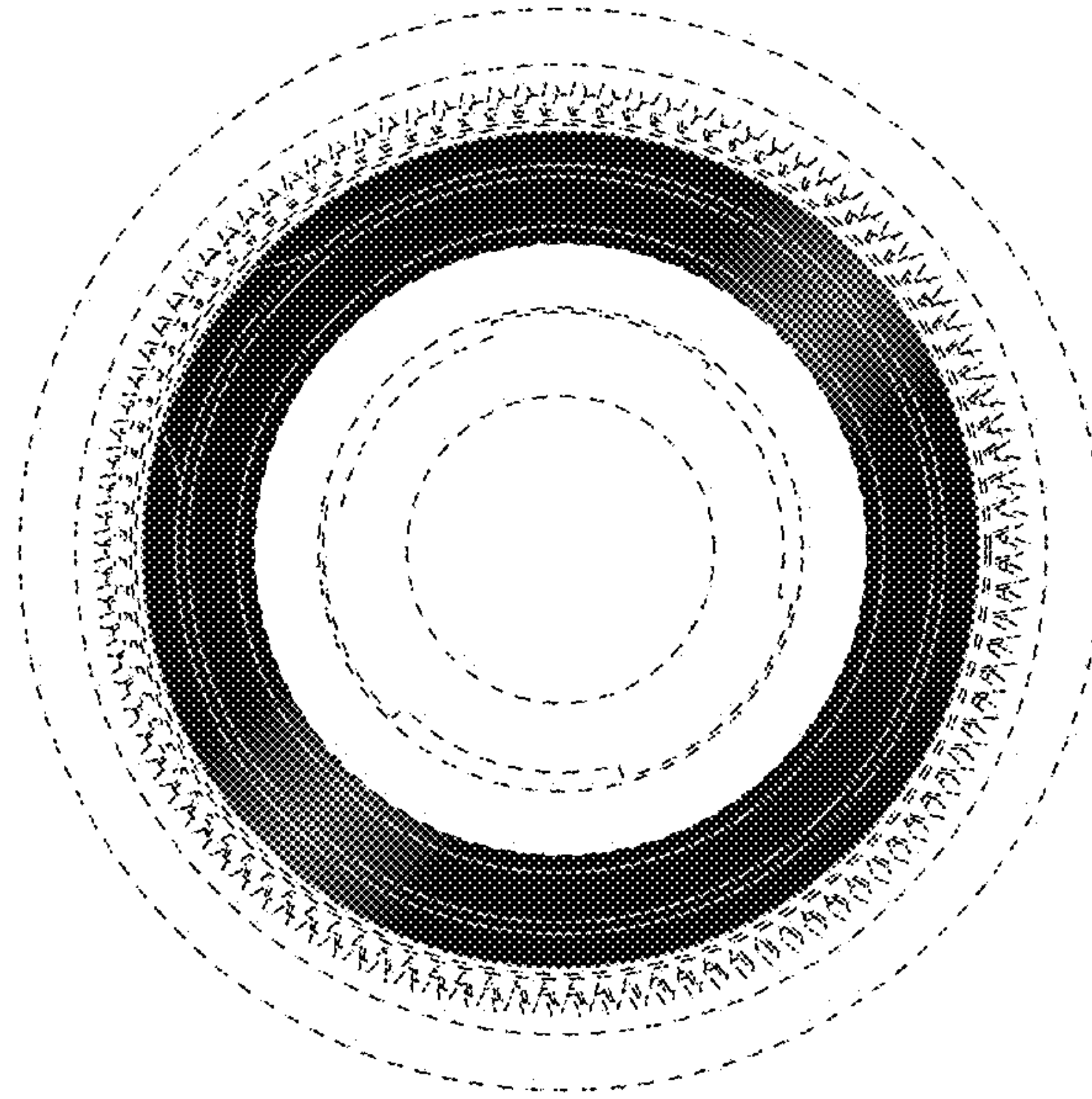
**FIG. 5**



**FIG. 6**



**FIG. 7**



**FIG. 8**

