



US00D904490S

(12) **United States Design Patent**
Mao et al.

(10) **Patent No.:** **US D904,490 S**

(45) **Date of Patent:** **** Dec. 8, 2020**

(54) **CAMERA**

(71) Applicant: **FLIR Systems AB**, Täby (SE)

(72) Inventors: **Zhenmei Mao**, Richmond (CA); **Xuan Song**, Shanghai (CN); **Lei Bennett**, Goleta, CA (US)

(73) Assignee: **FLIR SYSTEMS AB**, Täby (SE)

(**) Term: **15 Years**

(21) Appl. No.: **29/696,839**

(22) Filed: **Jul. 1, 2019**

(51) **LOC (12) Cl.** **16-01**

(52) **U.S. Cl.**
USPC **D16/218**; D16/219

(58) **Field of Classification Search**
USPC D12/16.1; D14/124, 125, 126, 129, 133,
D14/314, 317, 336, 348–351, 356, 420;
D16/131, 135, 136, 200, 201, 202, 203,
D16/205–221, 225, 232, 235, 241;
348/373–376; 396/535, 539–541
CPC G03B 15/03; G03B 17/02; G03B 17/04;
G03B 17/56; G03B 19/04; H04N
5/2251–2254; H04N 2101/00
See application file for complete search history.

(56) **References Cited**

U.S. PATENT DOCUMENTS

4,914,521 A	4/1990	Adair
D368,105 S	3/1996	Takahashi et al.
D438,552 S	3/2001	Sumita
D488,826 S	4/2004	Zernov
D503,420 S	3/2005	Salvatori et al.
D529,063 S	9/2006	Cheng
D544,009 S	6/2007	Alm et al.
D548,258 S	8/2007	Tanifuji et al.
D557,720 S	12/2007	Shimizu

D558,247 S	12/2007	Kim	
D559,879 S	1/2008	Sumita	
D561,800 S	2/2008	Sadatsuki	
D574,027 S	7/2008	Miyazaki	
D598,941 S	8/2009	Tanifuji	
D611,979 S	3/2010	Frank et al.	
D618,717 S	6/2010	Frank et al.	
D631,498 S	1/2011	Tashima	
D636,423 S	4/2011	Ogino et al.	
D652,440 S	1/2012	Davidson et al.	
D694,802 S	* 12/2013	Coyle	D16/237
D732,601 S	* 6/2015	Coyle	D16/237
D738,951 S	* 9/2015	Coyle	D16/237
D750,685 S	3/2016	Santos	
D774,584 S	12/2016	Walters et al.	
D783,079 S	* 4/2017	Lee	D16/242
D785,073 S	* 4/2017	Wang	D16/242
D790,000 S	* 6/2017	Wang	D16/200
D813,924 S	* 3/2018	Zheng	D16/203

(Continued)

Primary Examiner — Ramzi S Almatrahi

(74) *Attorney, Agent, or Firm* — Haynes and Boone, LLP

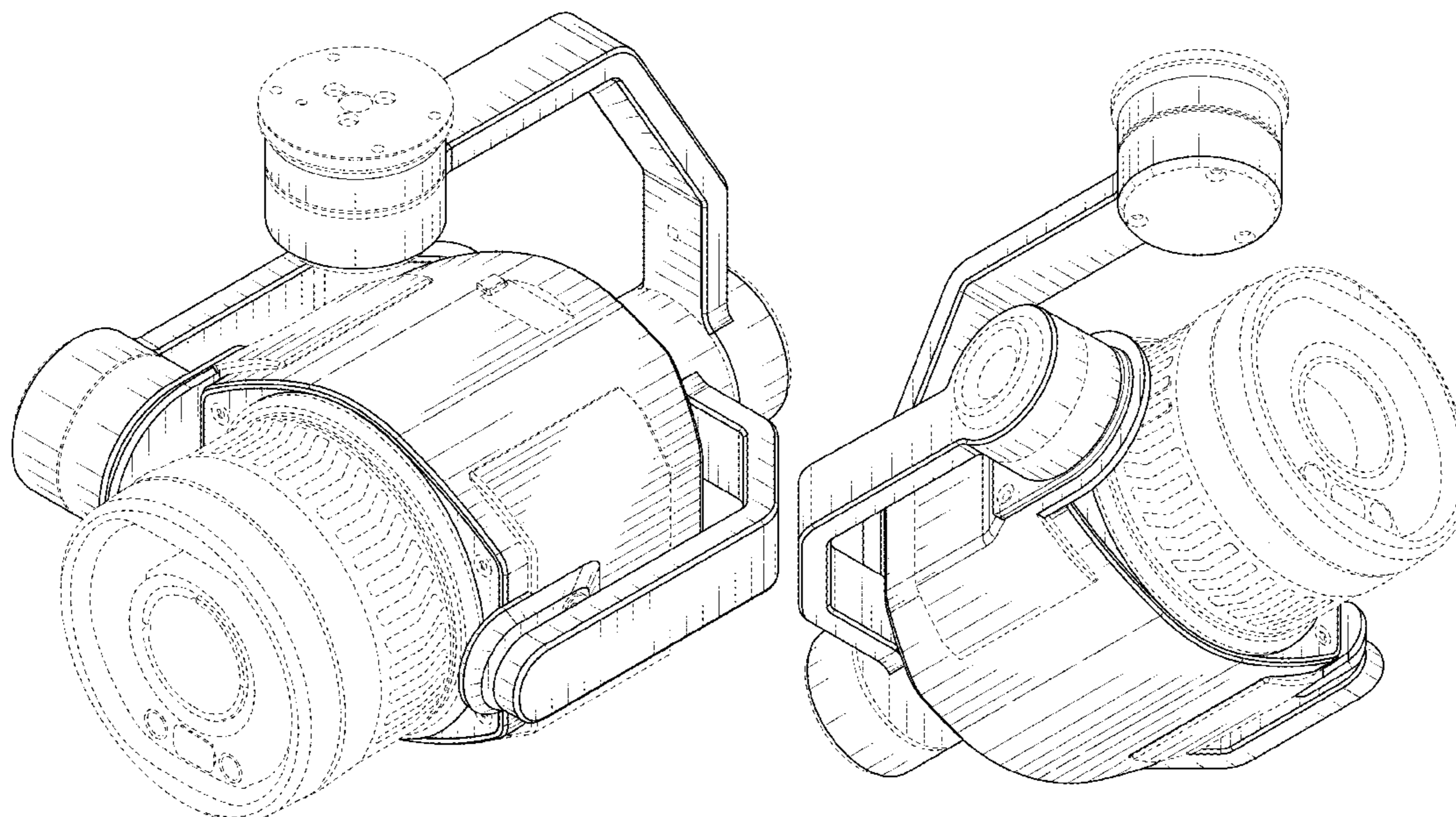
(57) **CLAIM**

The ornamental design for a camera, as shown and described.

DESCRIPTION

FIG. 1 is a front, left, and top perspective view of a camera embodying the new design;
FIG. 2 is a front, right, and bottom perspective view thereof;
FIG. 3 is a front elevational view thereof;
FIG. 4 is a rear elevational view thereof;
FIG. 5 is a right side view thereof;
FIG. 6 is a left side view thereof;
FIG. 7 is a top plan view thereof; and,
FIG. 8 is a bottom plan view thereof.
The broken lines depict portions of the camera in which the design is embodied that form no part of the claimed design.

1 Claim, 8 Drawing Sheets



(56)

References Cited

U.S. PATENT DOCUMENTS

D816,150	S	*	4/2018	Liao	D16/242
D848,500	S	*	5/2019	Miyashita	D16/200
D861,525	S	*	10/2019	Wang	D10/103
D874,532	S	*	2/2020	Chen	D16/202
D891,503	S	*	7/2020	Wang	D16/218
D894,993	S	*	9/2020	Hurdell	D16/218
2003/0090787	A1		5/2003	Dottle	
2007/0153120	A1		7/2007	Kajikawa et al.	
2007/0246641	A1		10/2007	Baun	
2012/0240444	A1		9/2012	Russell	

* cited by examiner

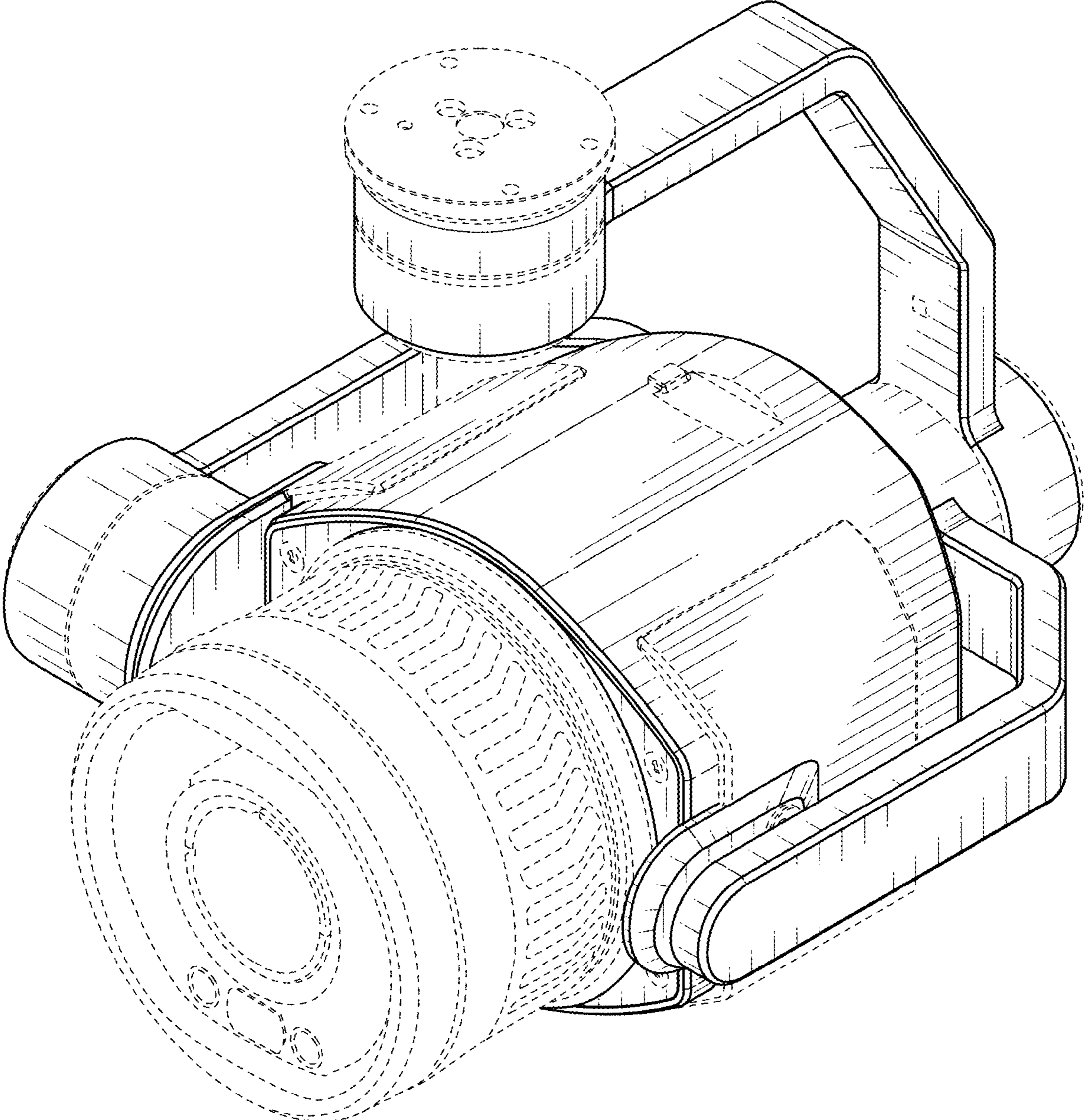


FIG. 1

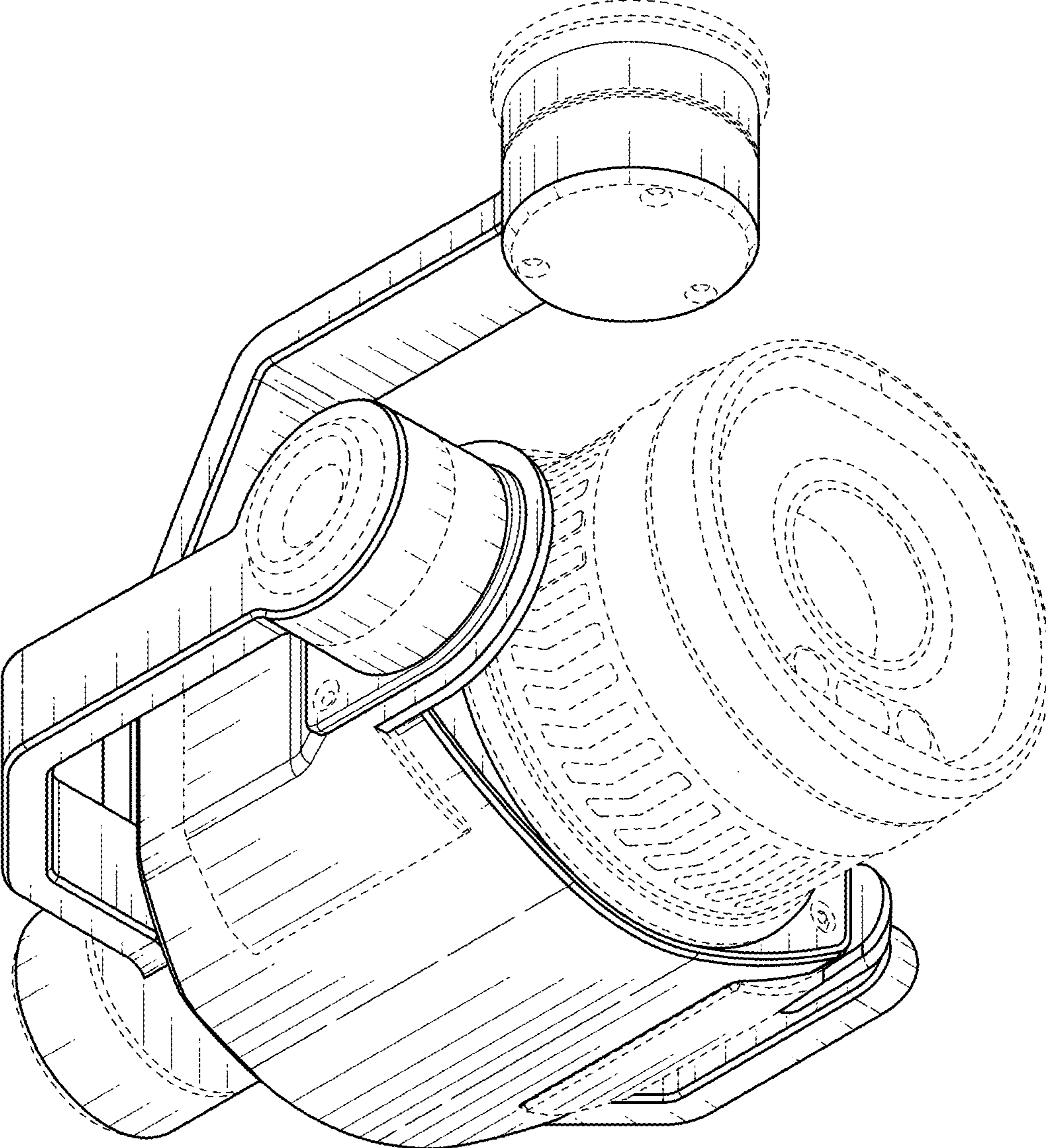


FIG. 2

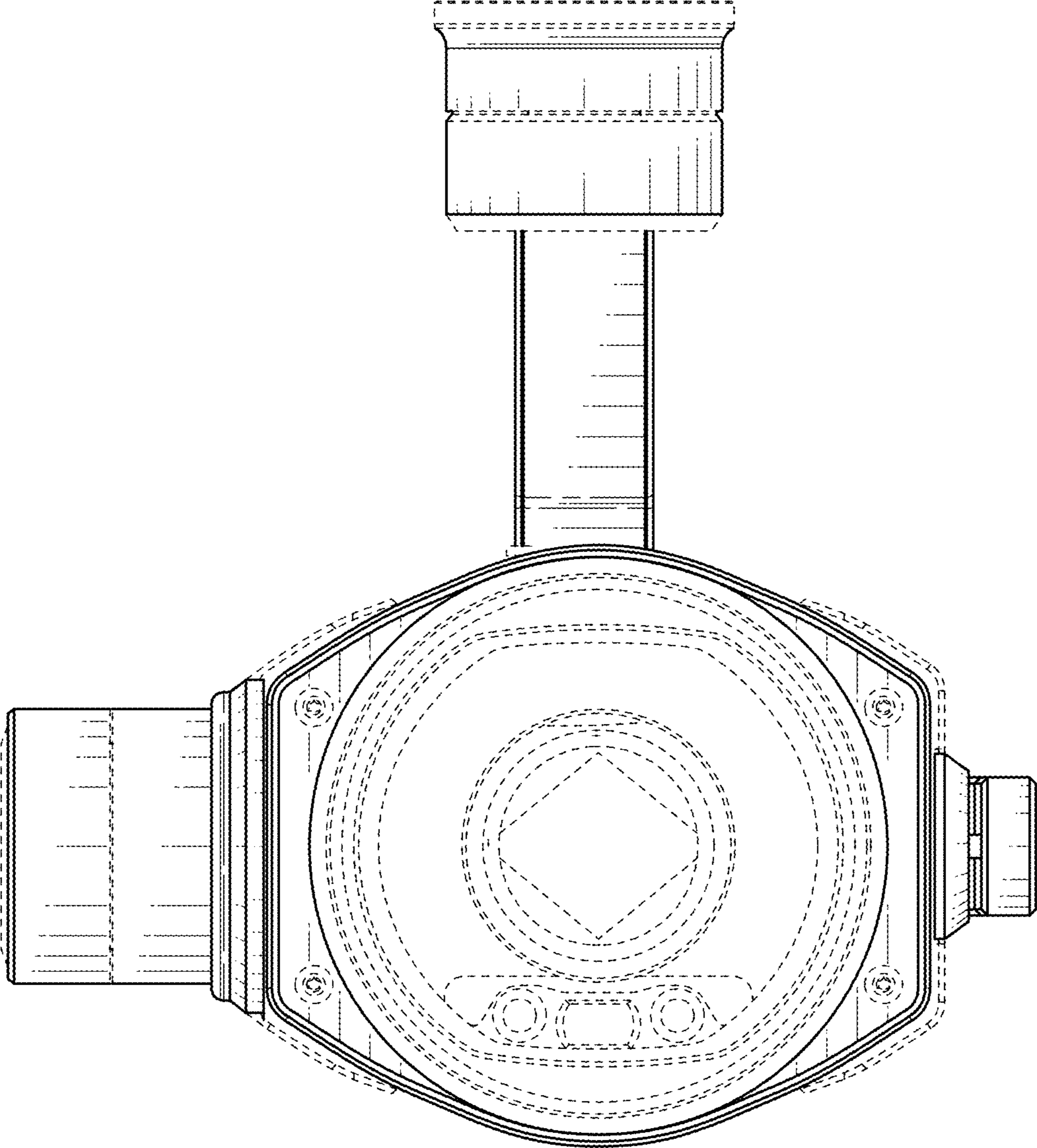


FIG. 3

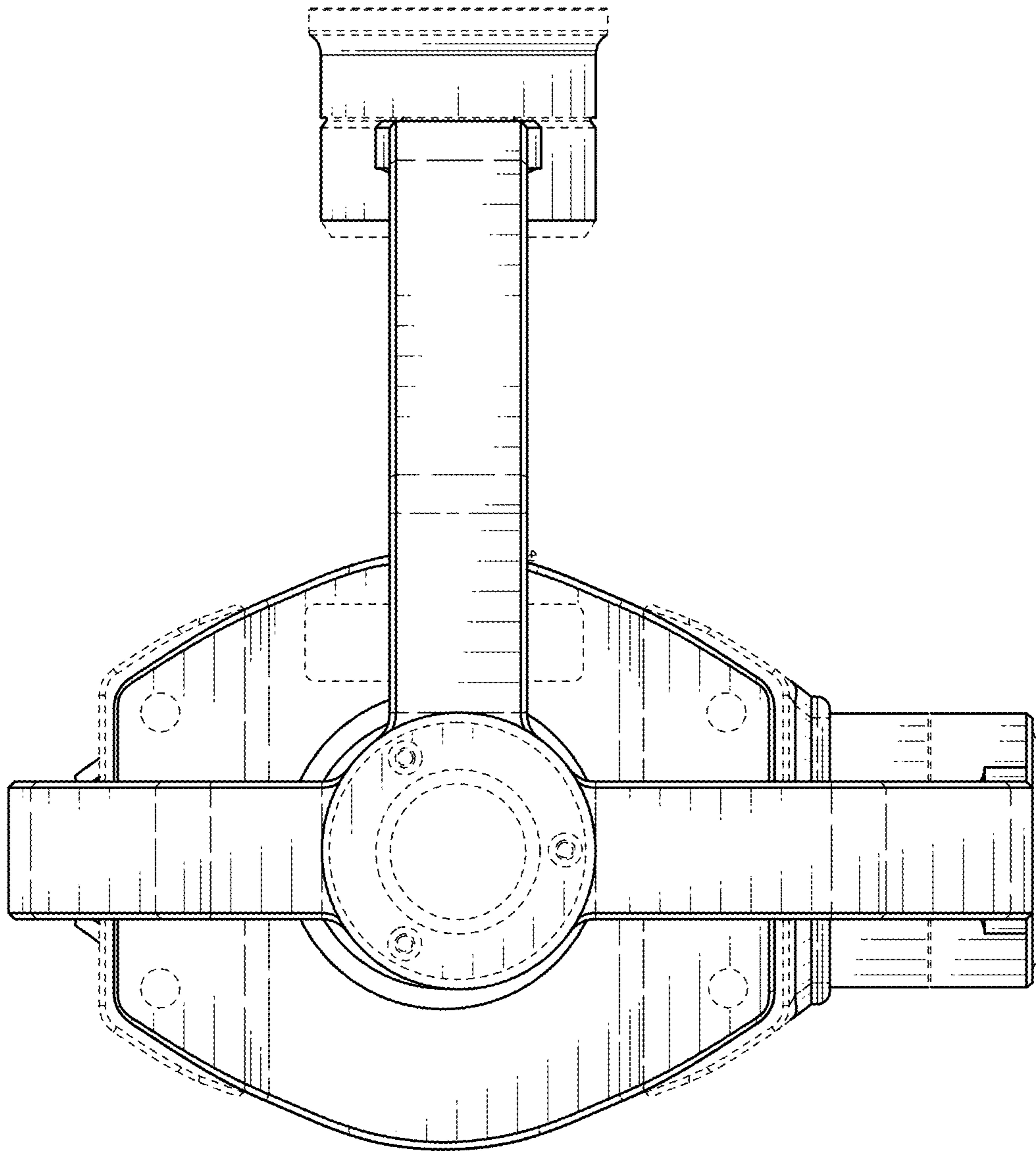


FIG. 4

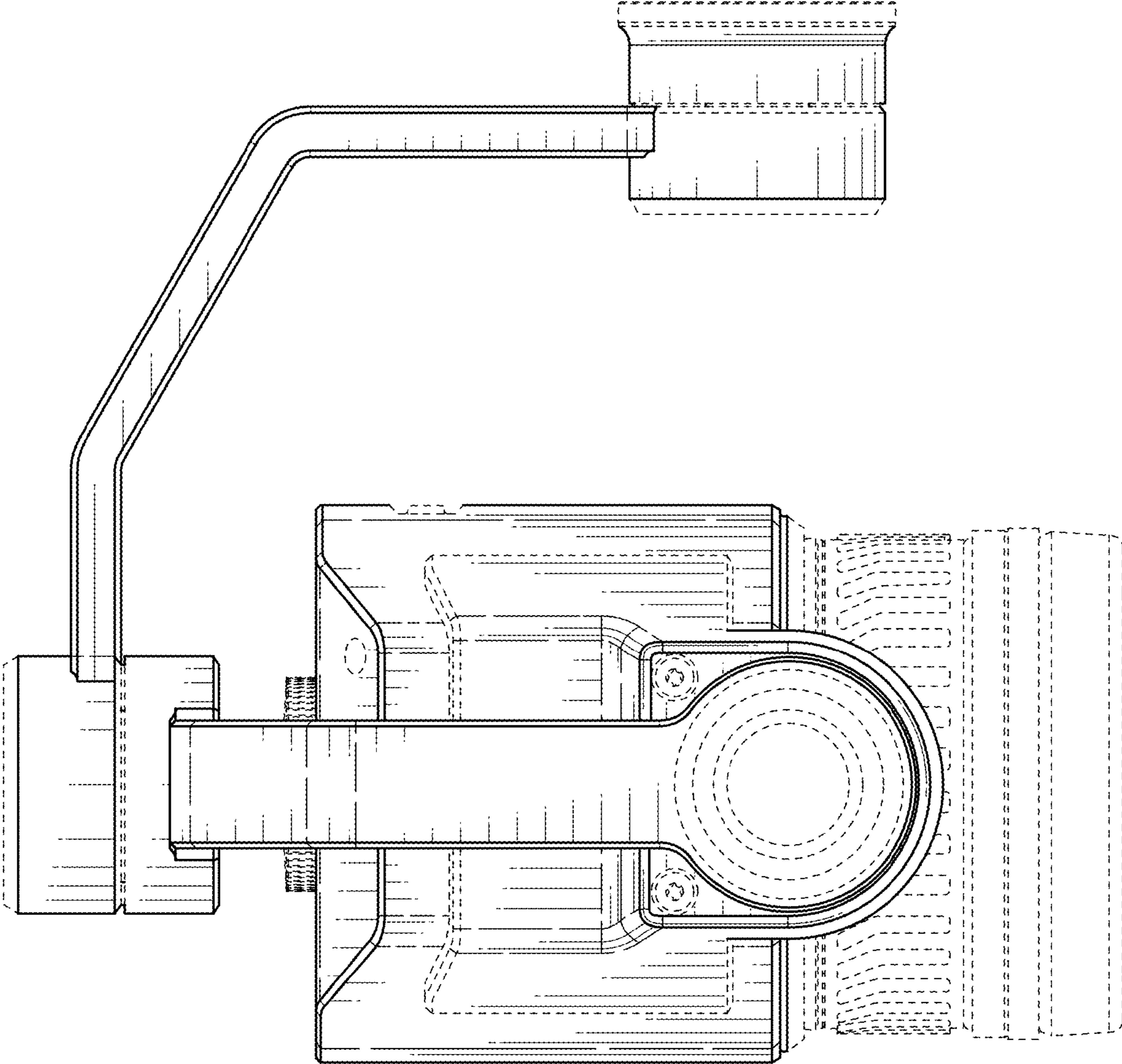


FIG. 5

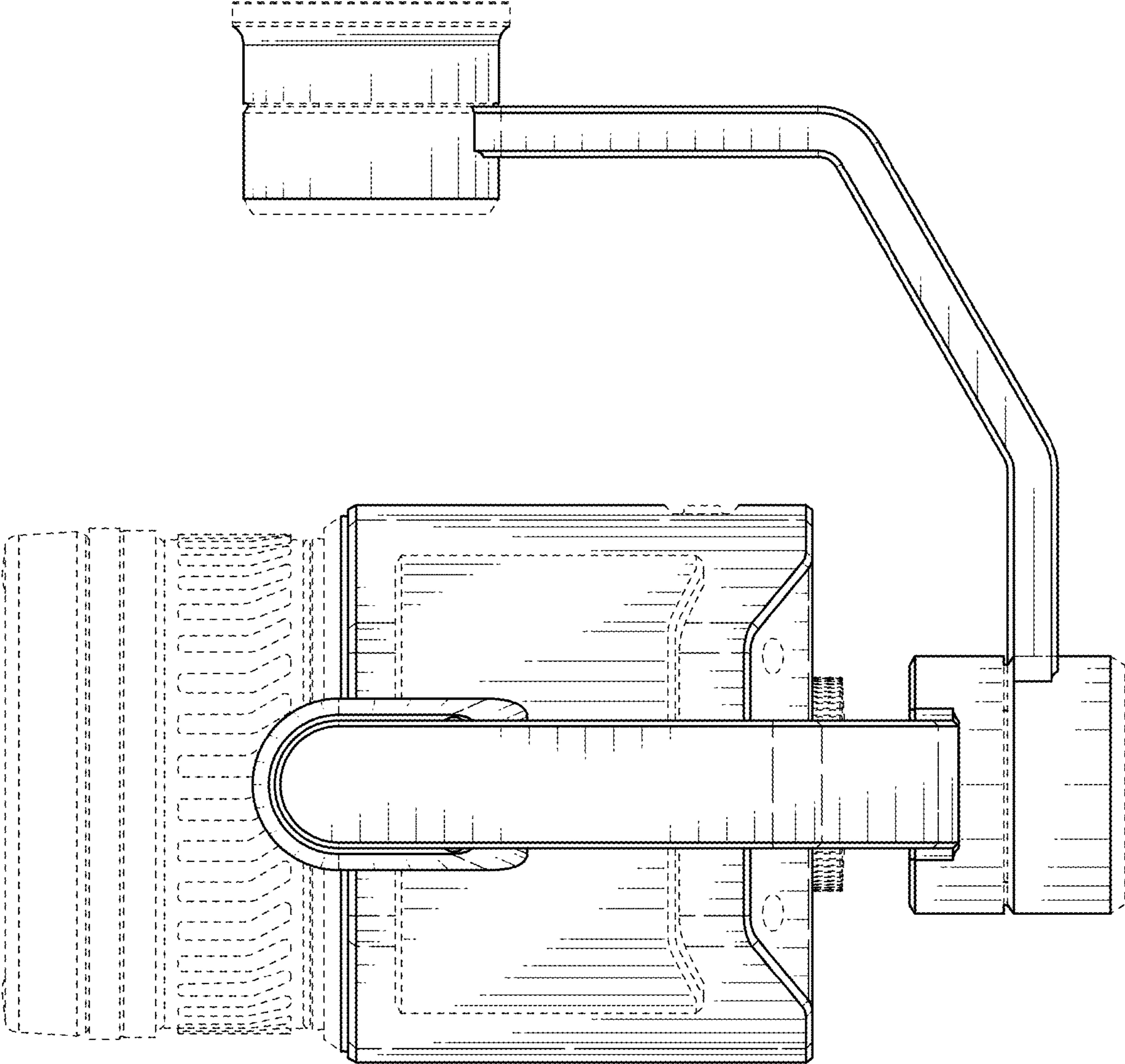


FIG. 6

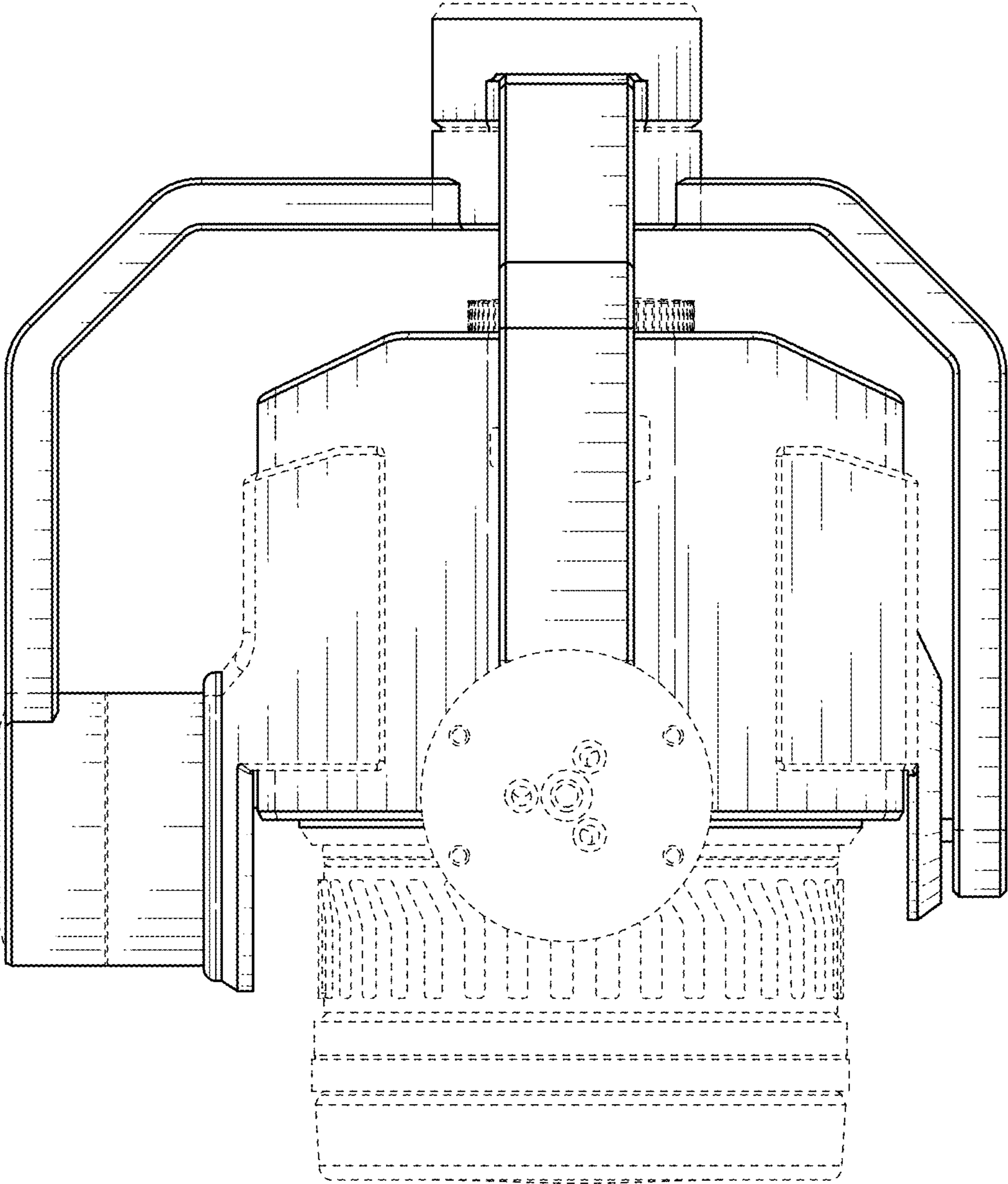


FIG. 7

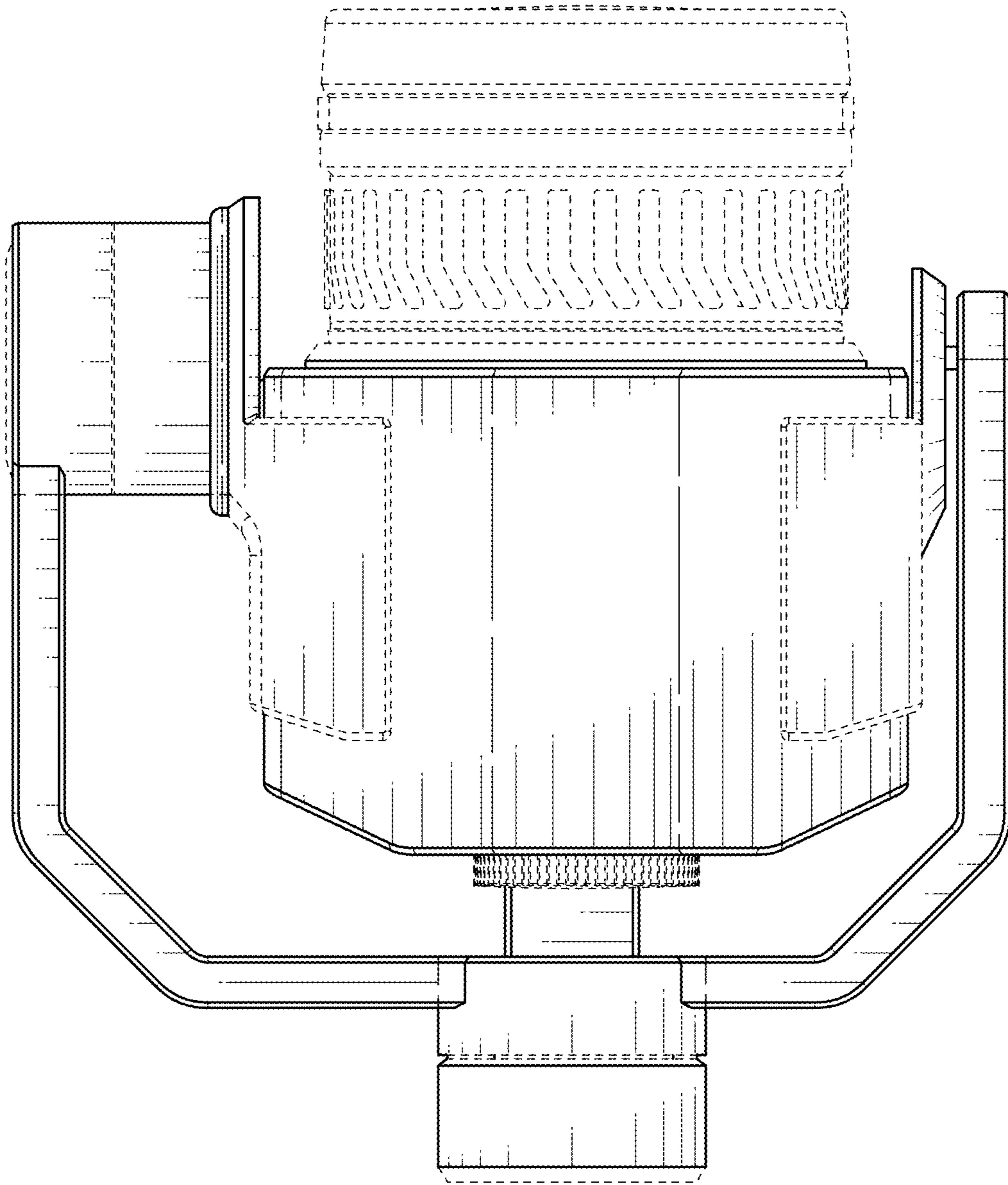


FIG. 8