



US00D904489S

(12) **United States Design Patent**
Bishop et al.

(10) **Patent No.:** **US D904,489 S**

(45) **Date of Patent:** **** Dec. 8, 2020**

(54) **CAMERA**

(71) Applicants: **Ralph Bishop**, New York, NY (US);
Nick Dangerfield, New York, NY (US);
Joseph Saavedra, Brooklyn, NY (US);
Pepin S. Gelardi, Brooklyn, NY (US);
Joseph Gonzalez, Brooklyn, NY (US);
Tan Tran, Brooklyn, NY (US);
Theodore Ullrich, New York, NY
(US); **Alex Chung**, New York, NY
(US); **Riyadh Rateme**, Brooklyn, NY
(US)

(72) Inventors: **Ralph Bishop**, New York, NY (US);
Nick Dangerfield, New York, NY (US);
Joseph Saavedra, Brooklyn, NY (US);
Pepin S. Gelardi, Brooklyn, NY (US);
Joseph Gonzalez, Brooklyn, NY (US);
Tan Tran, Brooklyn, NY (US);
Theodore Ullrich, New York, NY
(US); **Alex Chung**, New York, NY
(US); **Riyadh Rateme**, Brooklyn, NY
(US)

(73) Assignee: **GIPHY, INC.**, New York, NY (US)

(**) Term: **15 Years**

(21) Appl. No.: **29/629,003**

(22) Filed: **Dec. 11, 2017**

(51) **LOC (12) Cl.** **16-01**

(52) **U.S. Cl.**
USPC **D16/213; D16/202; D16/203; D16/200;**
D14/240

(58) **Field of Classification Search**
USPC **D16/200–220, 131, 237, 242, 239, 250,**
D16/235, 130, 134, 136, 238;
D14/138 C, 240, 248, 203.1, 203.3,
D14/203.7; D10/104.1, 50, 65, 74, 70,
D10/118.2
CPC ... **G02B 7/02; G02B 7/04; G02B 7/14; G02B**
3/14; G03B 17/00; G03B 17/02; G03B
17/56; G03B 17/04; G03B 17/14; G03B

15/03; G03B 9/08; H04N 5/2251; H04N
5/2252; H04N 5/2253; H04N 5/2254;
H04N 7/00; H04N 2101/00; F16M 13/00

See application file for complete search history.

(56) **References Cited**

U.S. PATENT DOCUMENTS

D222,299 S *	10/1971	Tanaka	D16/205
D228,808 S *	10/1973	Swayze	D16/213
D229,862 S *	1/1974	Hansen	D16/213
D234,542 S *	3/1975	Quinn	D16/212
D237,831 S *	11/1975	Winkl et al.	D16/209
D237,832 S *	11/1975	Winkler	D16/209
D237,834 S *	11/1975	Winkler	D16/212

(Continued)

Primary Examiner — Dana K Weiland

Assistant Examiner — Mary Claire Ramirez

(74) *Attorney, Agent, or Firm* — Barnes & Thornburg
LLP

(57) **CLAIM**

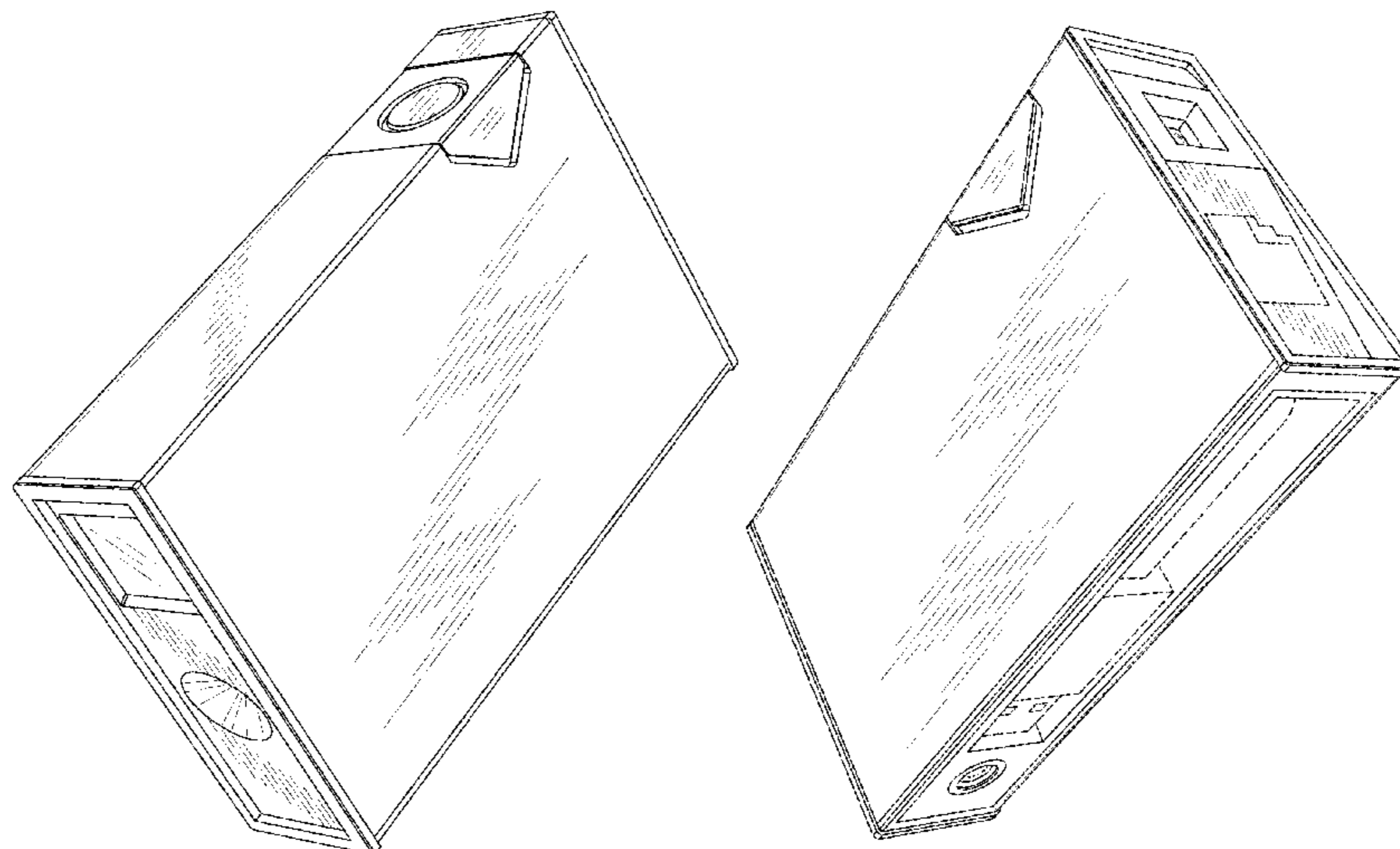
We claim the ornamental design for a camera, as shown and described.

DESCRIPTION

FIG. 1 is a front-side perspective view of a camera showing the new design;
FIG. 2 is a rear-side perspective view of the camera;
FIG. 3 is a top plan view of the camera;
FIG. 4 is a bottom plan view of the camera;
FIG. 5 is a front-top perspective view of the camera;
FIG. 6 is a front elevation view of the camera;
FIG. 7 is a rear elevation view of the camera; and,
FIG. 8 is a first side elevation view of the camera, with the second side elevation view being the mirror image of FIG. 8.

The broken lines shown in the drawings depict portions of the camera that form no part of the claimed design.

1 Claim, 5 Drawing Sheets



(56)

References Cited

U.S. PATENT DOCUMENTS

D252,753 S * 8/1979 Thompson D14/438
 D289,872 S * 5/1987 Nuttall D14/351
 D294,261 S * 2/1988 Alfonso D14/351
 D305,753 S * 1/1990 Hoshino D14/351
 5,278,351 A * 1/1994 Herrick H05K 9/0049
 174/372
 D352,302 S * 11/1994 Lamphron D16/208
 D360,406 S * 7/1995 Hill D14/351
 D385,787 S * 11/1997 Takano D9/423
 D408,812 S * 4/1999 Danis D14/137
 5,992,955 A * 11/1999 Yang E05C 19/06
 220/4.31
 6,091,602 A * 7/2000 Helot F16M 11/10
 361/679.44
 6,137,694 A * 10/2000 Kerrigan G06F 1/182
 174/369
 D433,410 S * 11/2000 Matsuzaka D14/125
 D435,841 S * 1/2001 Thousand D14/167
 D447,479 S * 9/2001 Tierney D14/351
 D449,345 S * 10/2001 Lung D20/21
 D472,242 S * 3/2003 Tomino D13/133
 D481,466 S * 10/2003 Mueller D25/58

D517,064 S * 3/2006 Noda D14/349
 D541,263 S * 4/2007 Yao D14/240
 D580,933 S * 11/2008 Ju D14/240
 D595,279 S * 6/2009 Chiba D14/240
 D595,280 S * 6/2009 Chiba D14/240
 D611,015 S * 3/2010 Huang D14/125
 D647,065 S * 10/2011 Charleux D13/168
 D650,782 S * 12/2011 Hogan D14/240
 D662,329 S * 6/2012 Arko D6/332
 D693,798 S * 11/2013 Chuang D14/240
 D701,242 S * 3/2014 Lee D14/502
 D721,646 S * 1/2015 Kim D13/103
 D733,043 S * 6/2015 Hasbrook D13/103
 D742,884 S * 11/2015 Seflic D14/433
 D754,627 S * 4/2016 Fustino D14/188
 D763,203 S * 8/2016 Ikegaya D13/168
 D769,241 S * 10/2016 Mazz D14/341
 D810,021 S * 2/2018 Iwai D13/119
 D827,010 S * 8/2018 Motsinger D16/202
 D834,437 S * 11/2018 Zhang D10/106.95
 D849,730 S * 5/2019 Charette D14/240
 D856,325 S * 8/2019 Poulton D14/348
 D873,881 S * 1/2020 Ma D16/202
 2018/0270901 A1 * 9/2018 Charette H01Q 5/371

* cited by examiner

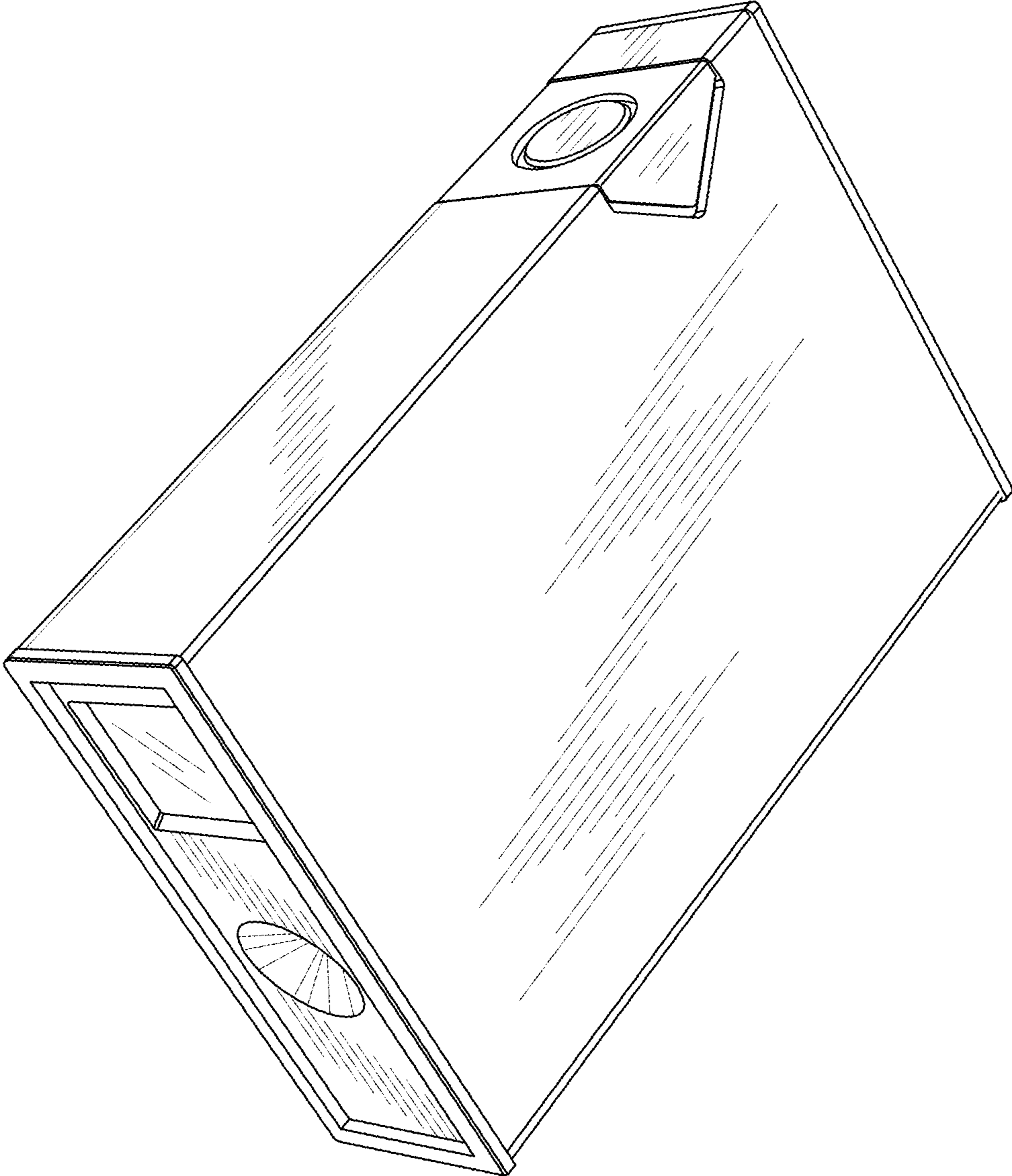


Fig. 1

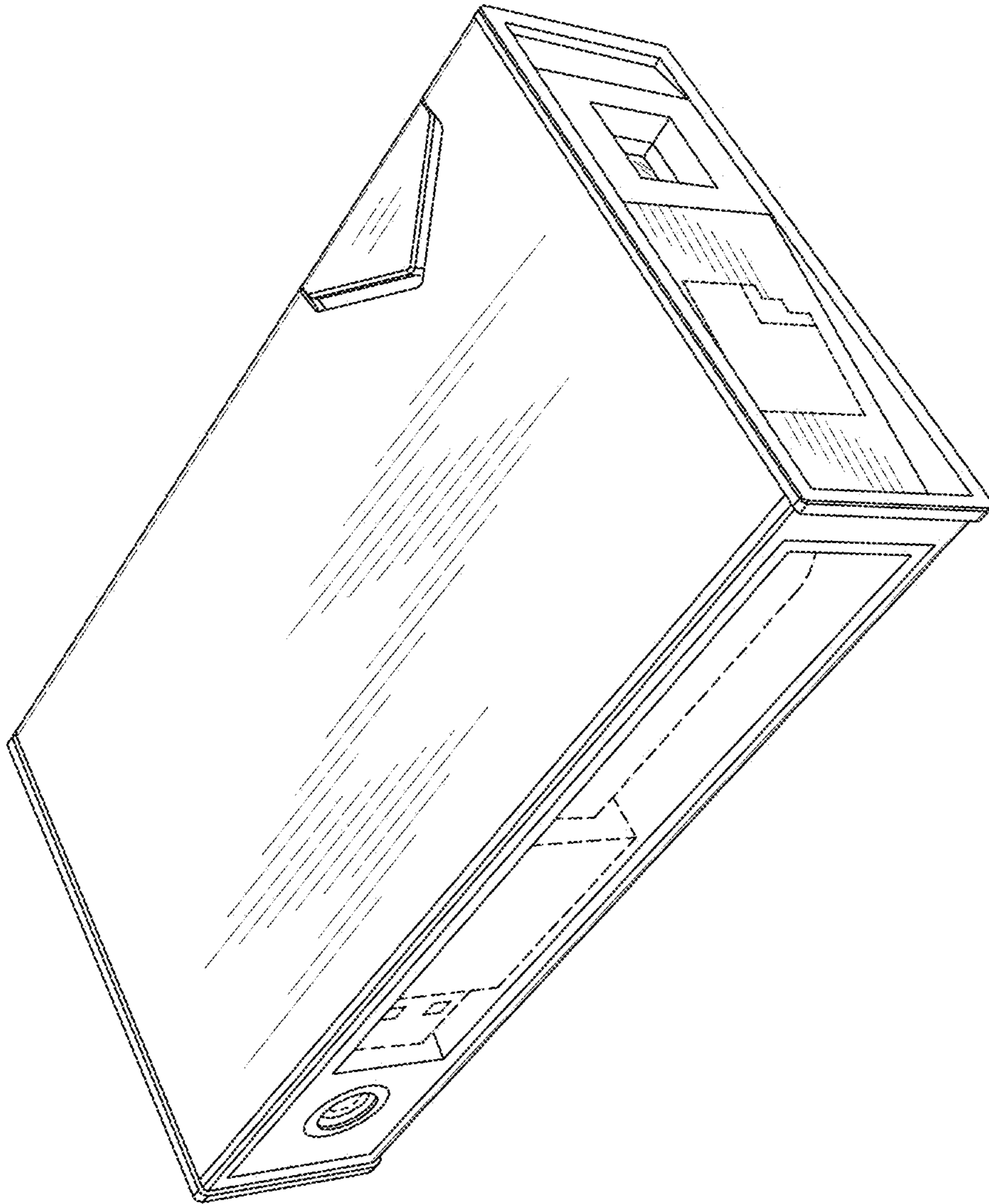


Fig. 2

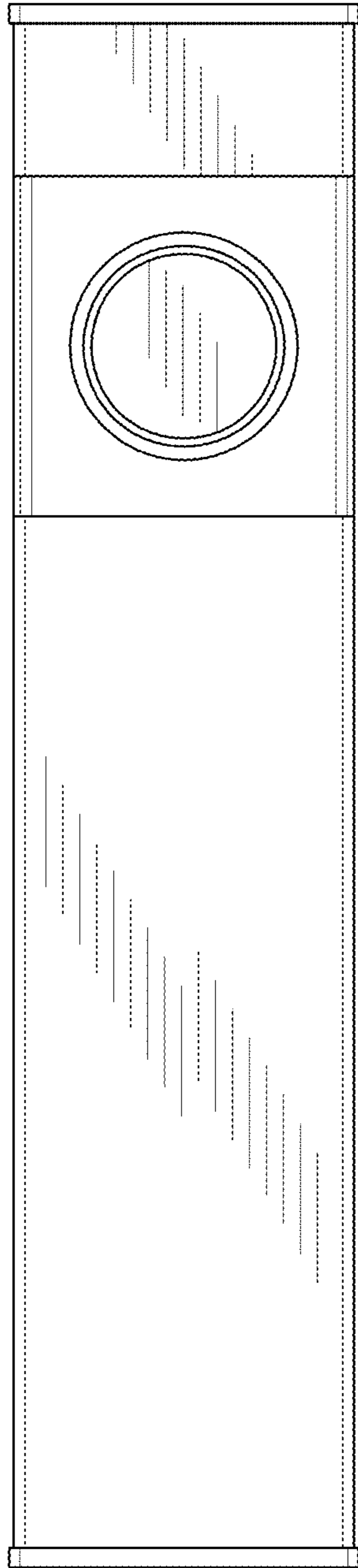


Fig. 3

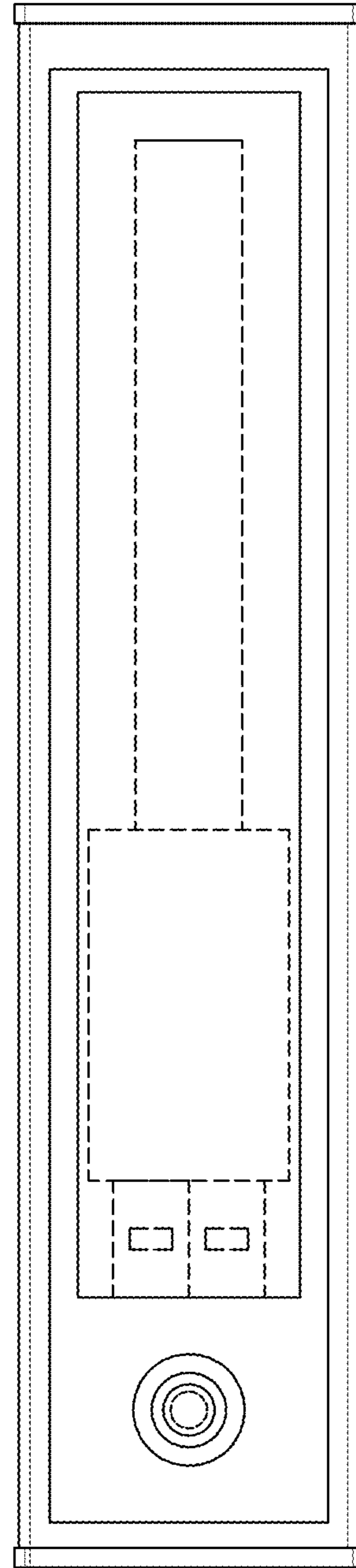


Fig. 4

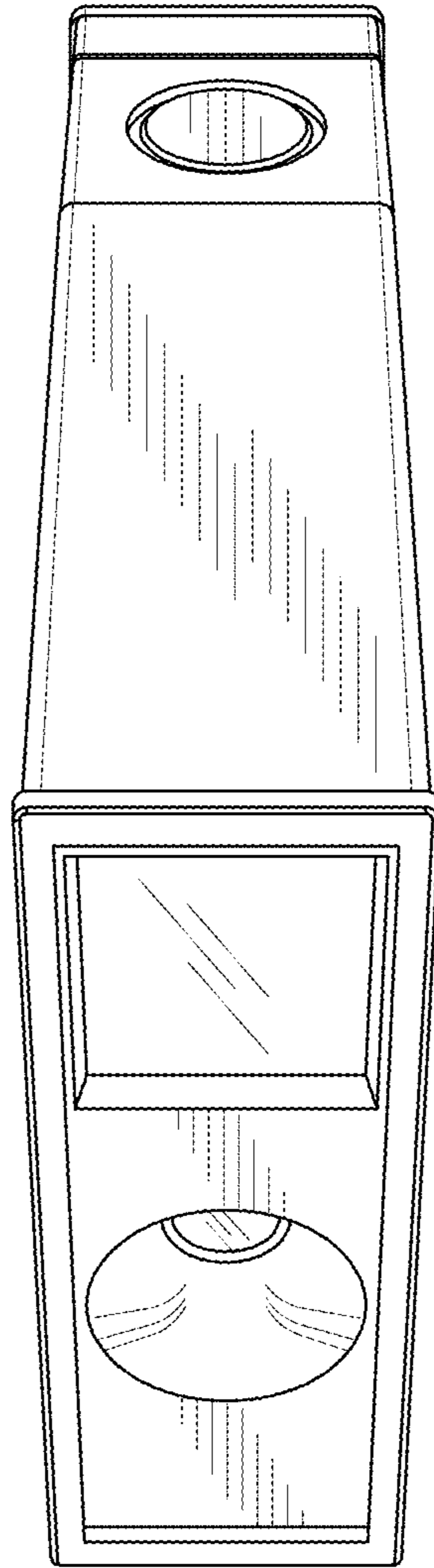


Fig. 5

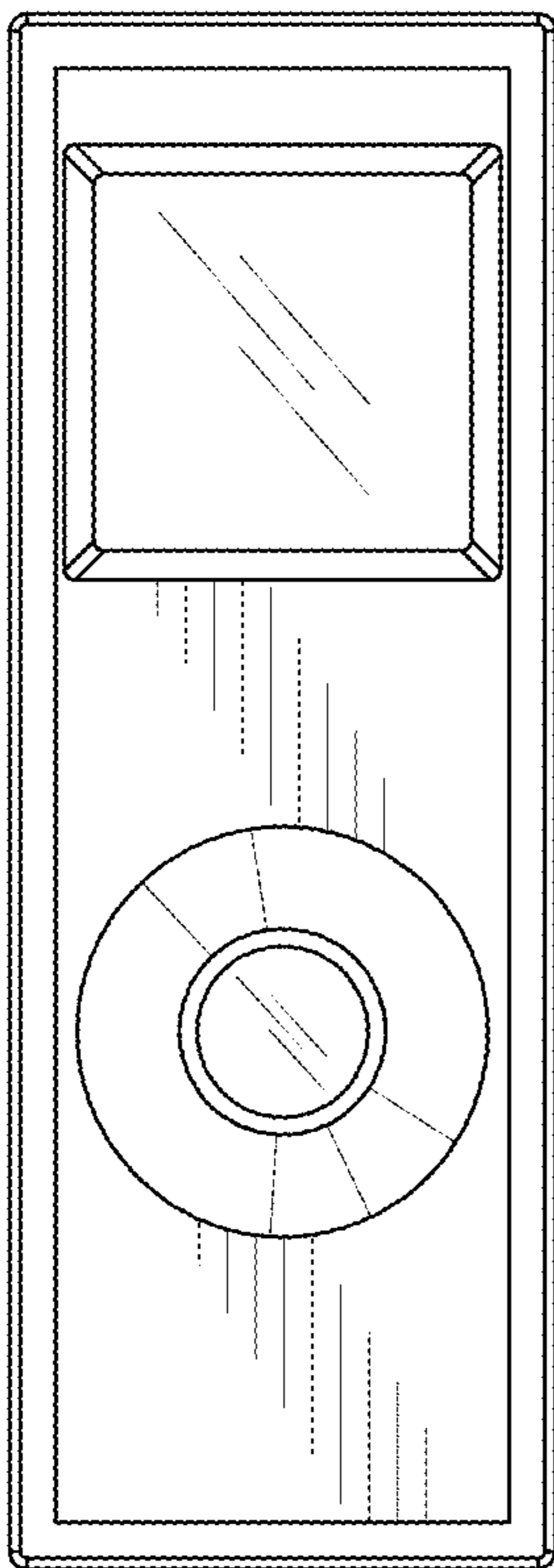


Fig. 6

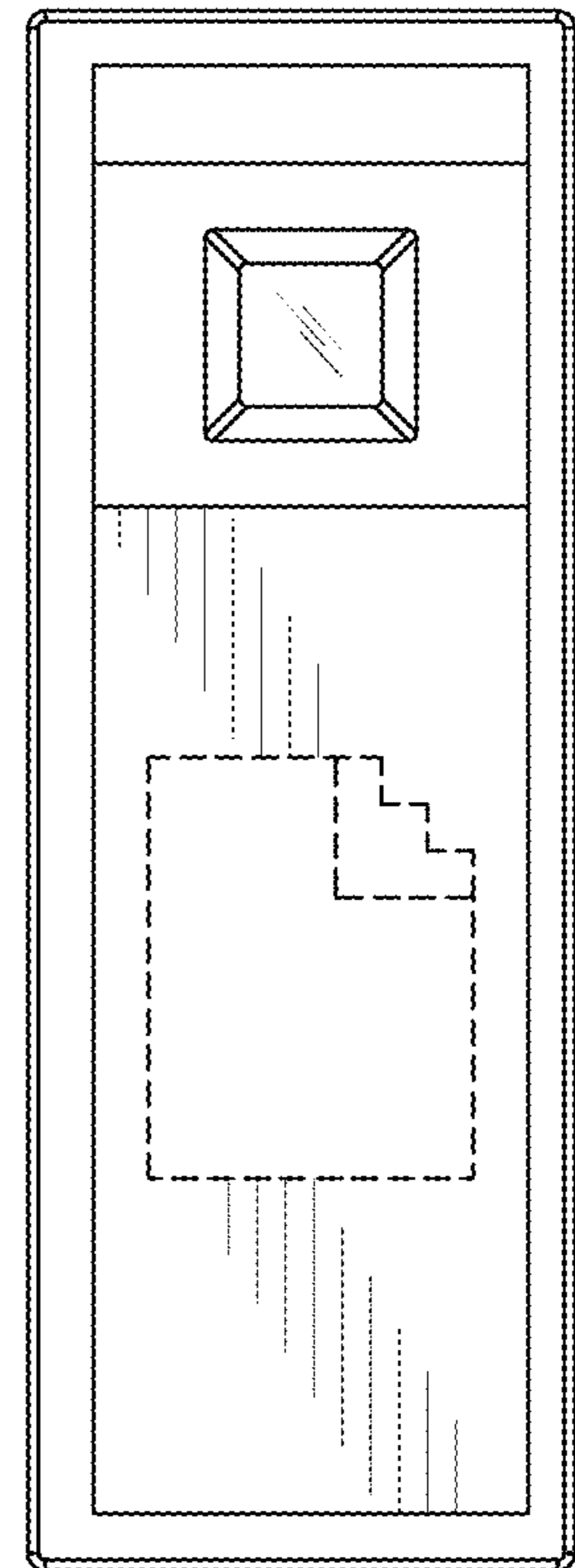


Fig. 7

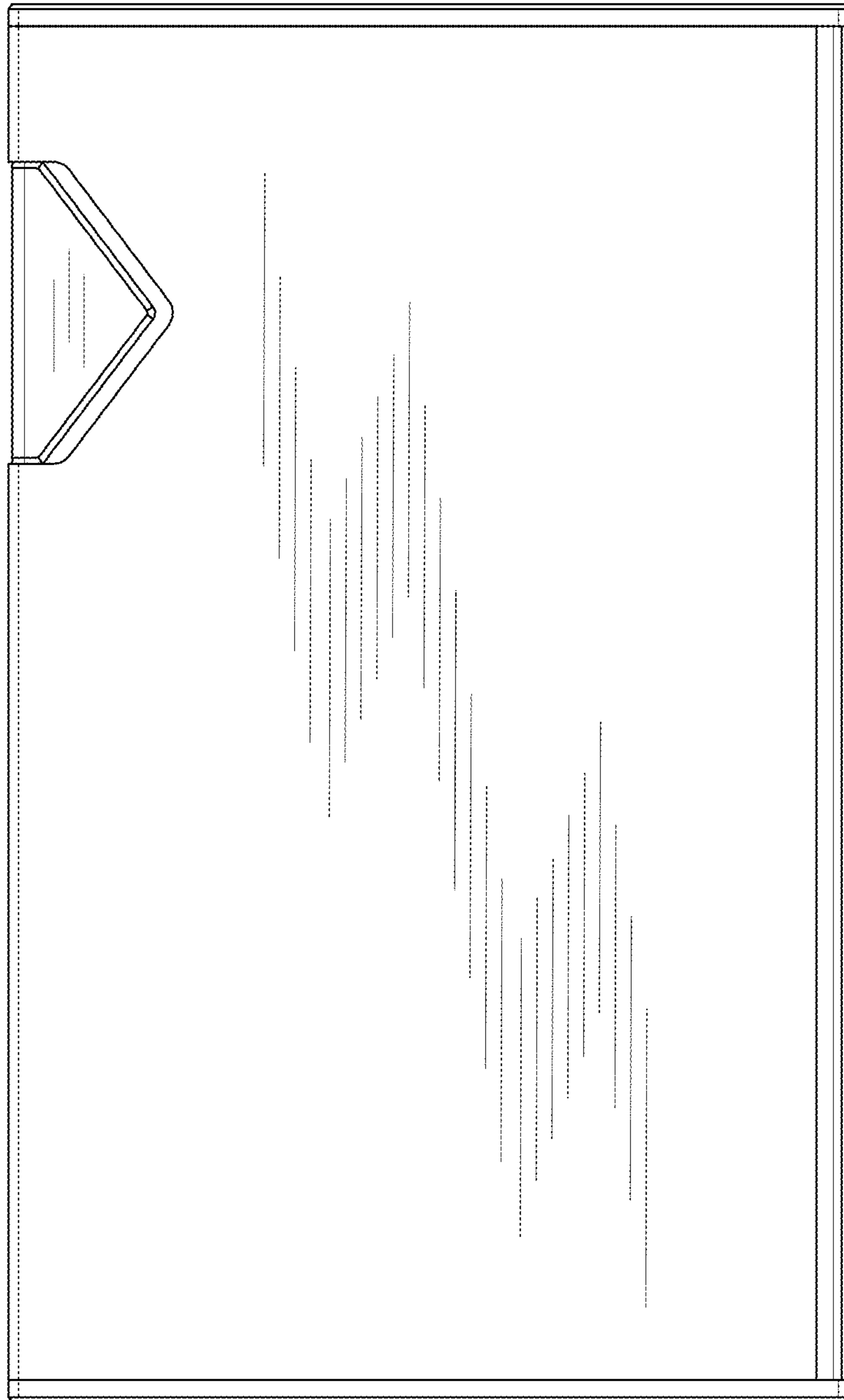


Fig. 8