



US00D904486S

(12) **United States Design Patent**
Xiong

(10) **Patent No.:** **US D904,486 S**

(45) **Date of Patent:** **** Dec. 8, 2020**

- (54) **VEHICLE CAMERA**
- (71) Applicant: **Shenzhen Sunvey Tech Co., Ltd,**
Shenzhen (CN)
- (72) Inventor: **Lijun Xiong,** Jingzhou (CN)
- (**) Term: **15 Years**
- (21) Appl. No.: **29/711,080**
- (22) Filed: **Oct. 29, 2019**
- (51) **LOC (12) Cl.** **16-01**
- (52) **U.S. Cl.**
USPC **D16/208; D16/218**
- (58) **Field of Classification Search**
USPC D16/200–208, 210, 214, 218, 219, 242;
348/373–376; 396/419, 427, 428, 535,
396/539–541
CPC G03B 15/03; G03B 17/02; G03B 17/04;
G03B 17/56; G03B 19/04; H04N 5/2251;
H04N 5/2252; H04N 5/2253; H04N
5/2254; H04N 2101/00
See application file for complete search history.

- 8,544,643 B2 * 10/2013 Yim G03B 17/08
206/316.2
- D694,797 S * 12/2013 Parker D16/203
- D696,707 S * 12/2013 Guastadini D16/202
- D702,747 S * 4/2014 Woodman D16/200
- D713,439 S * 9/2014 Zhang D16/210
- D721,753 S * 1/2015 Park D16/202
- D849,098 S * 5/2019 Kapuria D16/208

* cited by examiner

Primary Examiner — Ramzi S Almatrahi

(74) *Attorney, Agent, or Firm* — HYIP

(57) **CLAIM**

The ornamental design for a vehicle camera, as shown and described.

DESCRIPTION

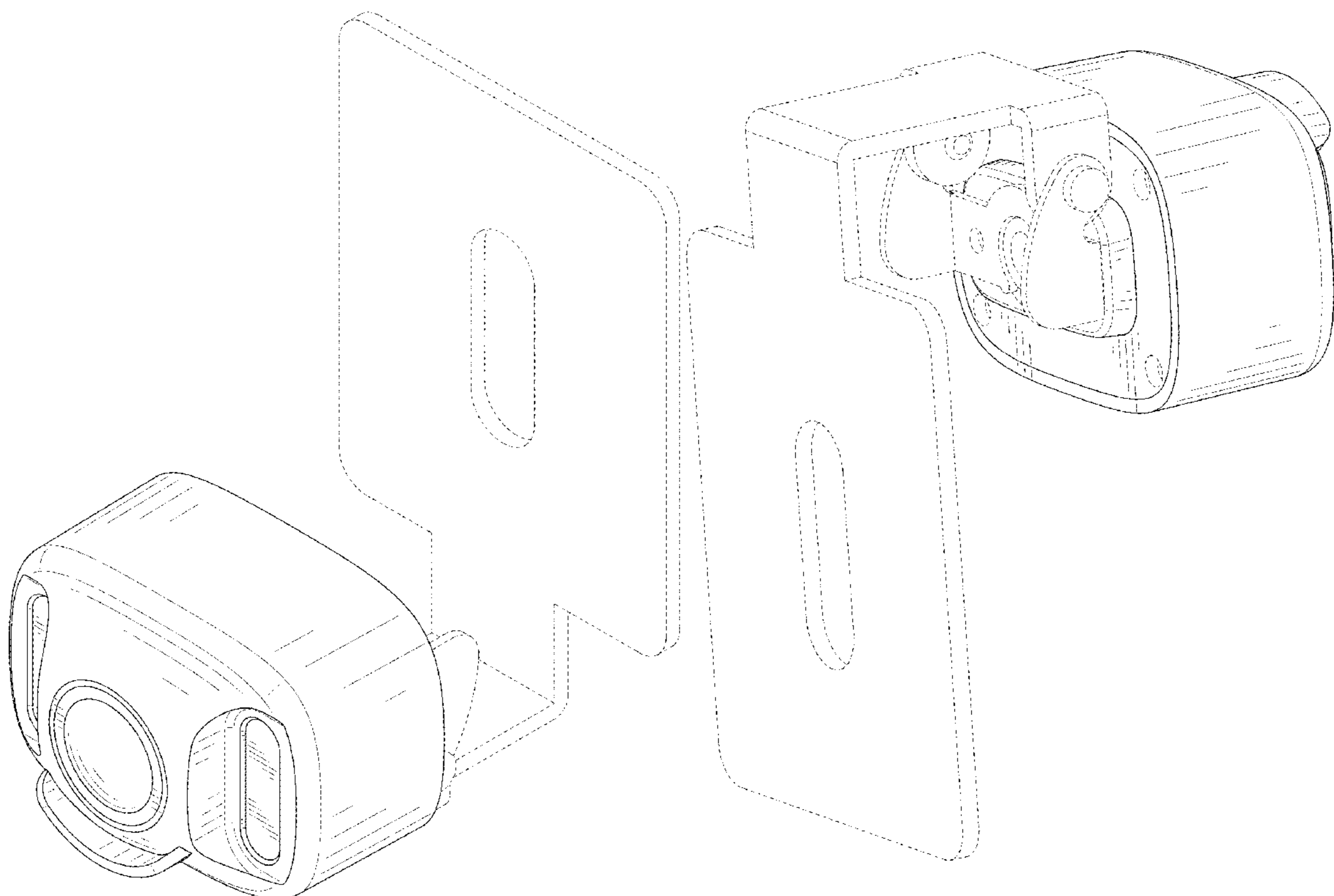
FIG. 1 is a top, front and right side perspective view of a vehicle camera showing my new design;
 FIG. 2 is a bottom, back and right side perspective view thereof;
 FIG. 3 is a front view thereof;
 FIG. 4 is a back view thereof;
 FIG. 5 is a left side view thereof;
 FIG. 6 is a right side view thereof;
 FIG. 7 is a top plan view thereof; and,
 FIG. 8 is a bottom plan view thereof.
 The broken lines shown in the drawings depict portions of the vehicle camera in which the design is embodied that form no part of the claimed design.

(56) **References Cited**

U.S. PATENT DOCUMENTS

- D453,177 S * 1/2002 Uehara D16/202
- D460,978 S * 7/2002 Toste D16/203
- D657,808 S * 4/2012 Woodman D16/200
- D674,428 S * 1/2013 Woodman D16/218
- D674,429 S * 1/2013 Woodman D16/218

1 Claim, 8 Drawing Sheets



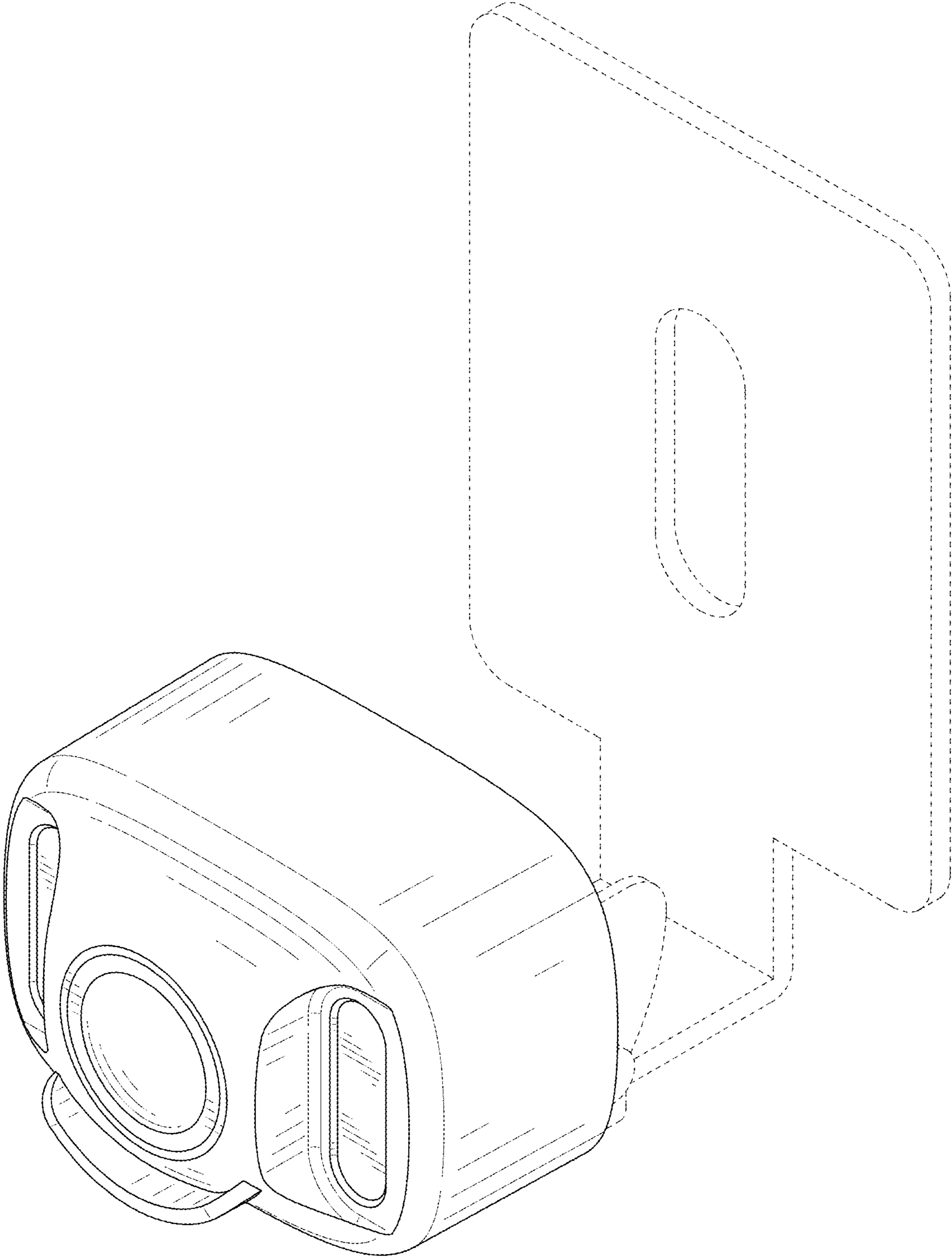


FIG. 1

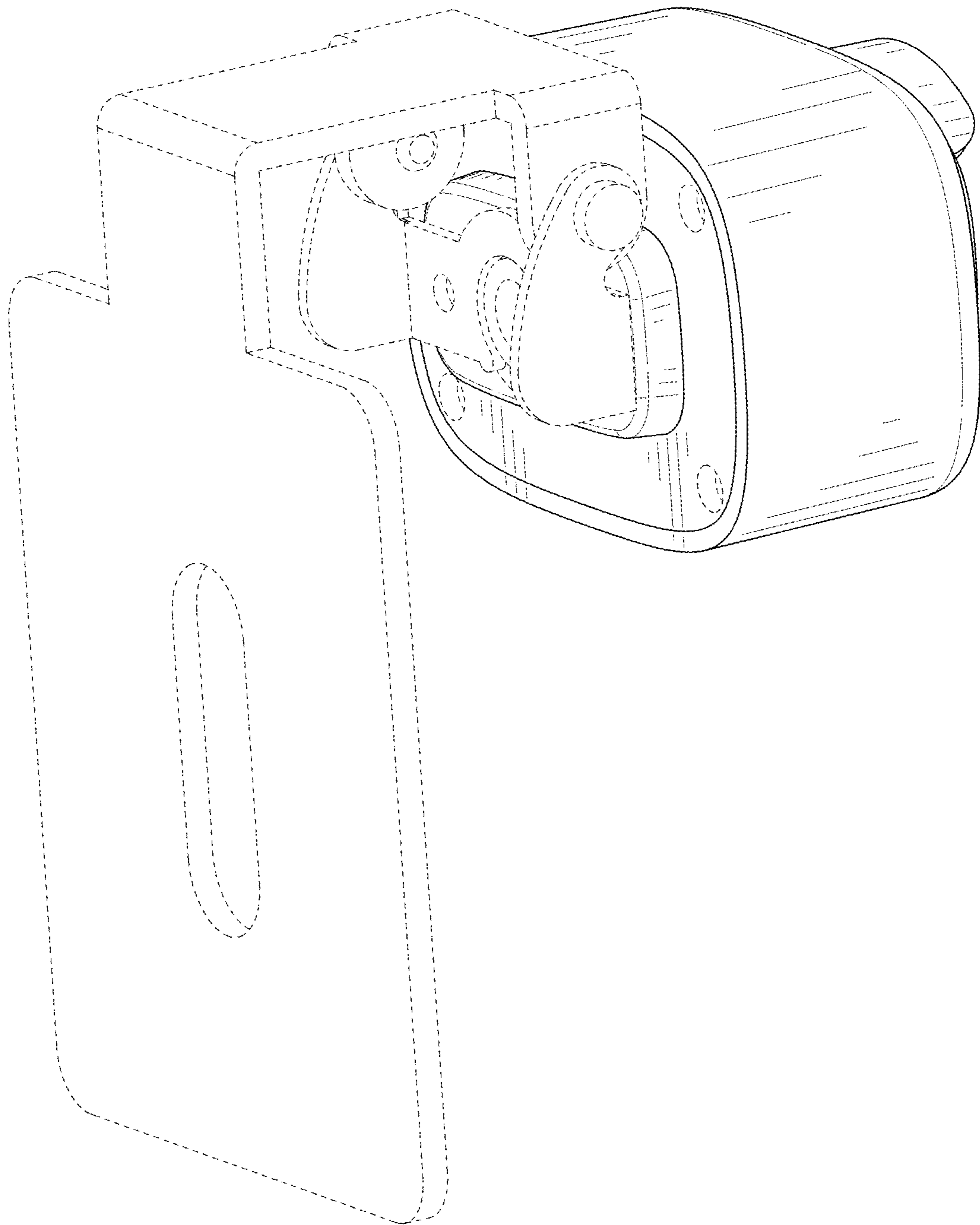


FIG. 2

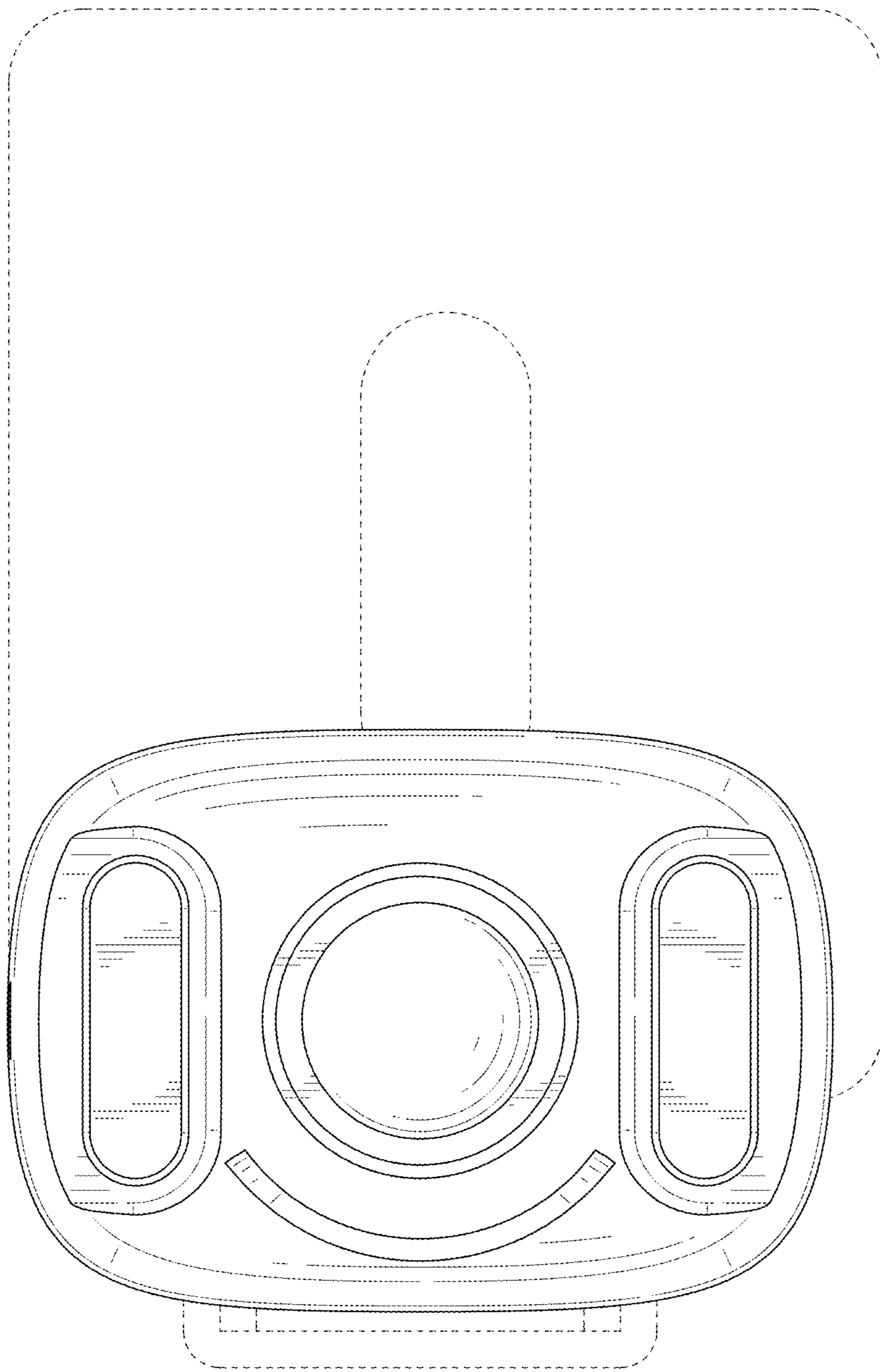


FIG. 3

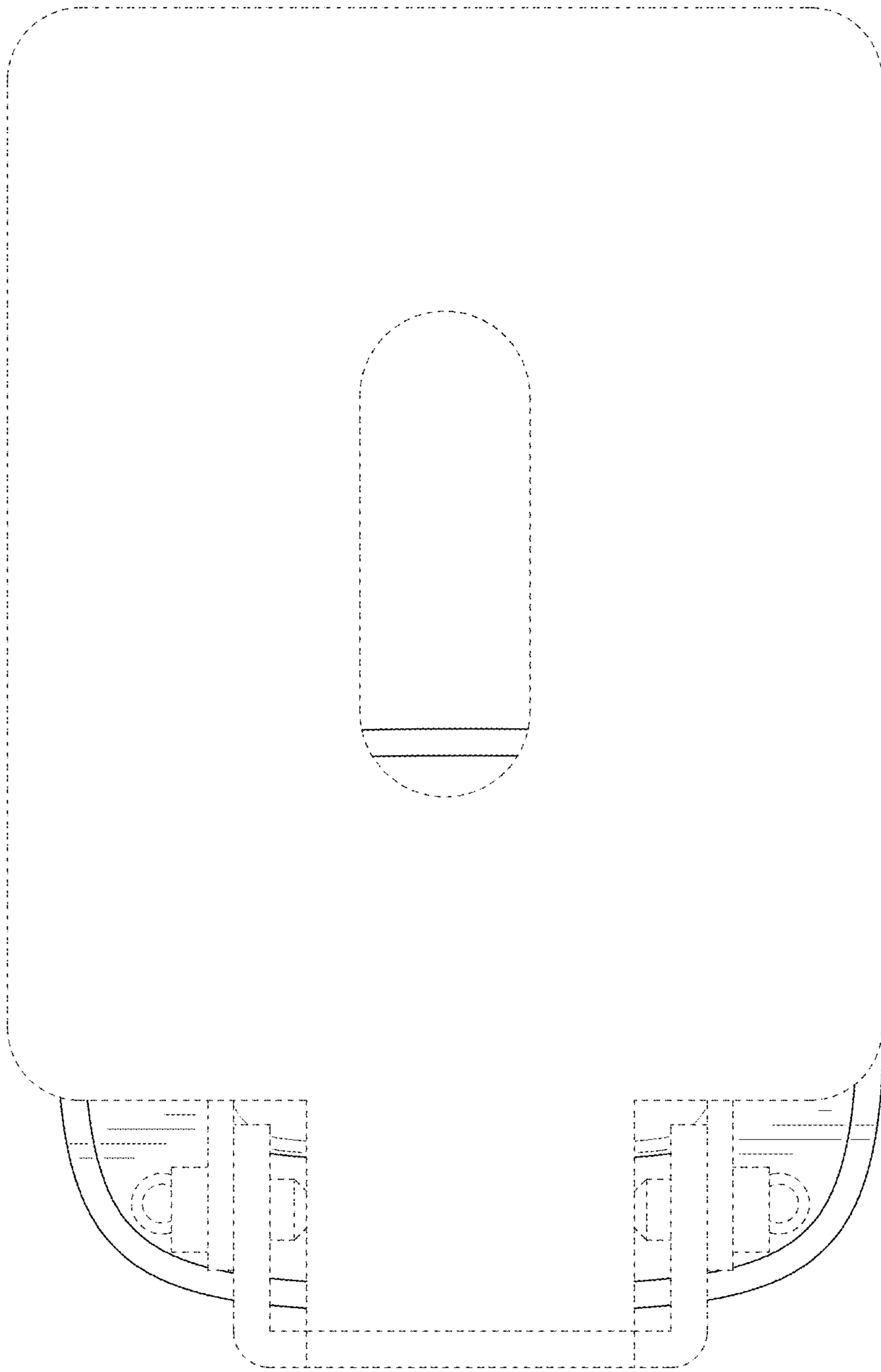


FIG. 4

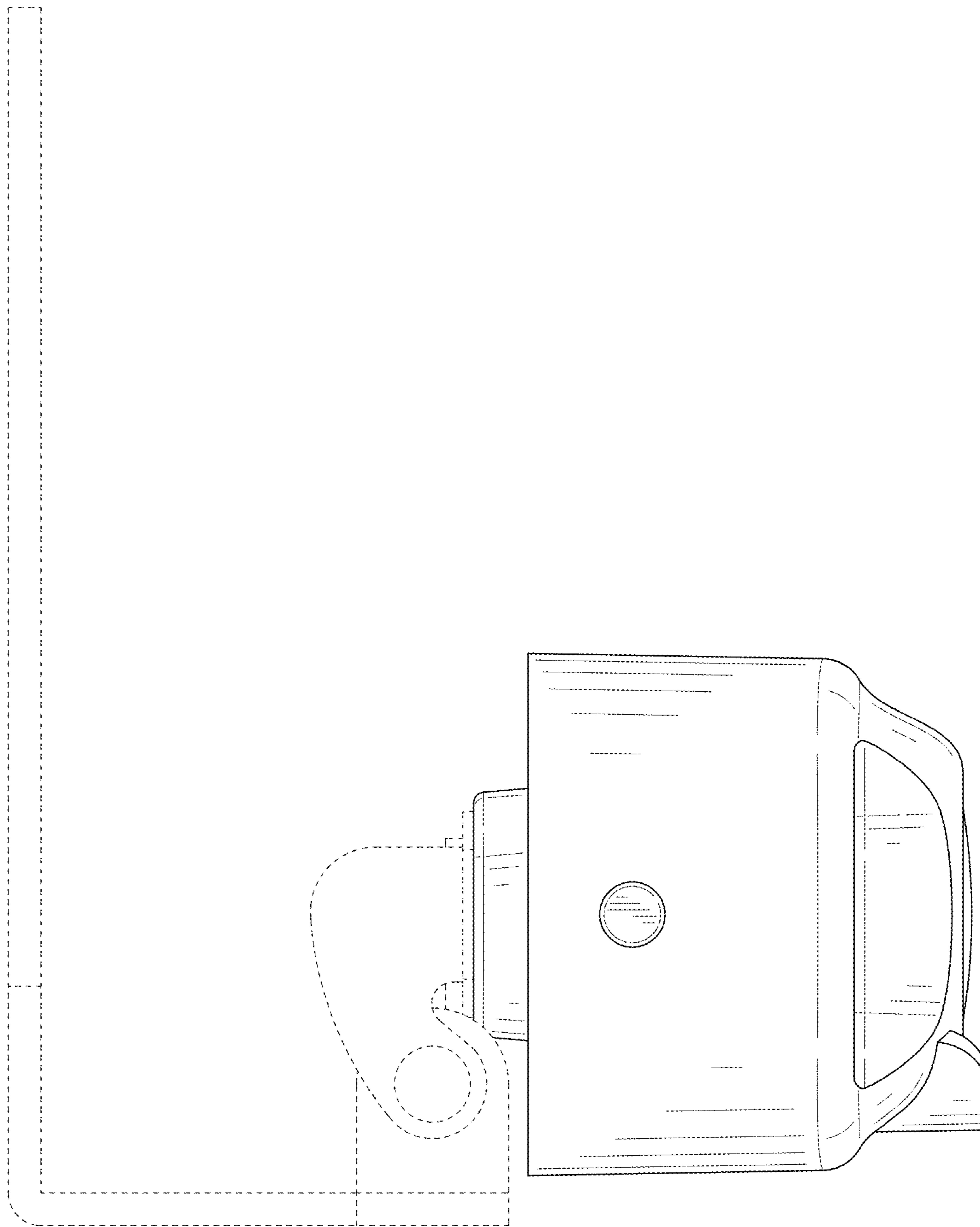


FIG. 5

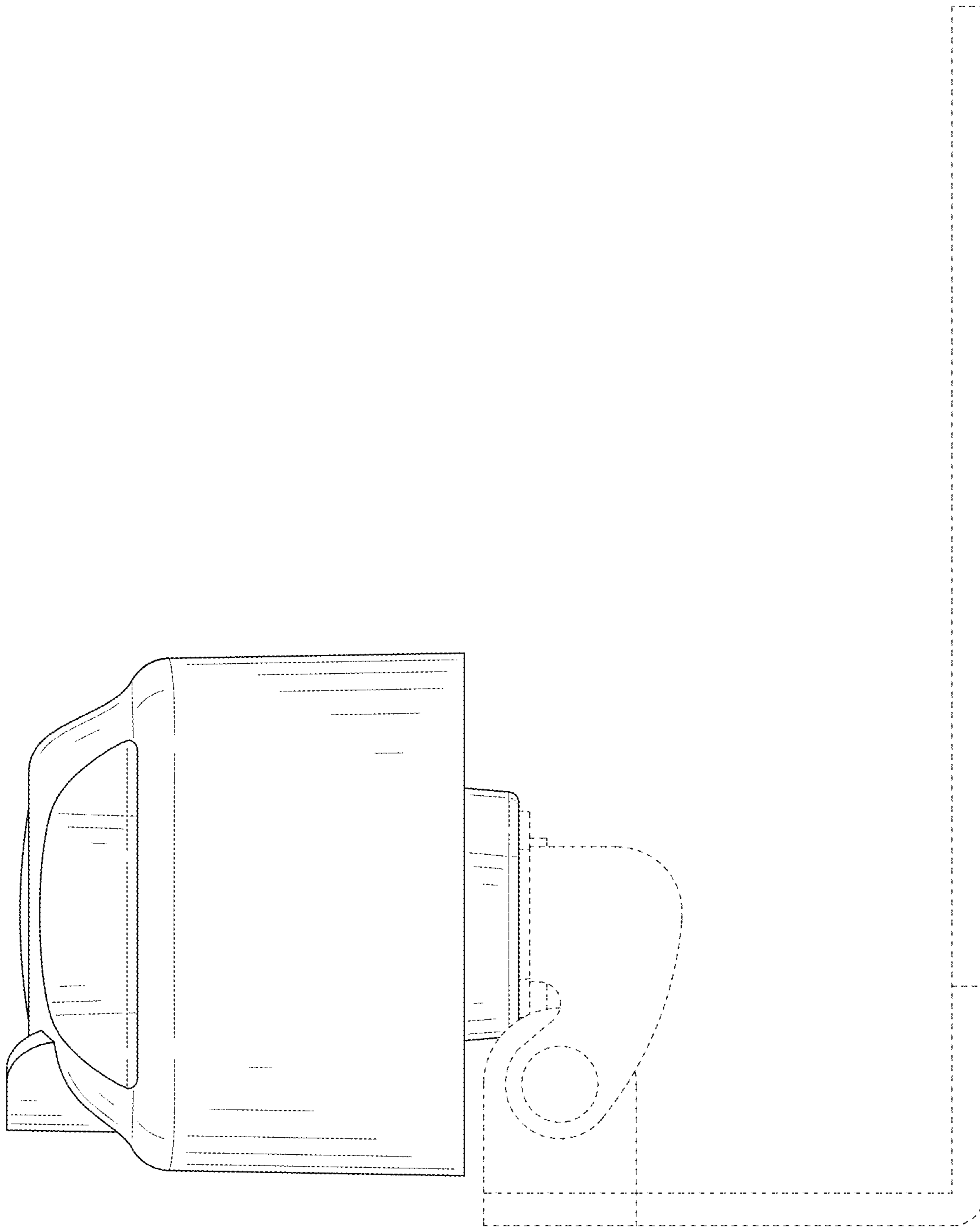


FIG. 6

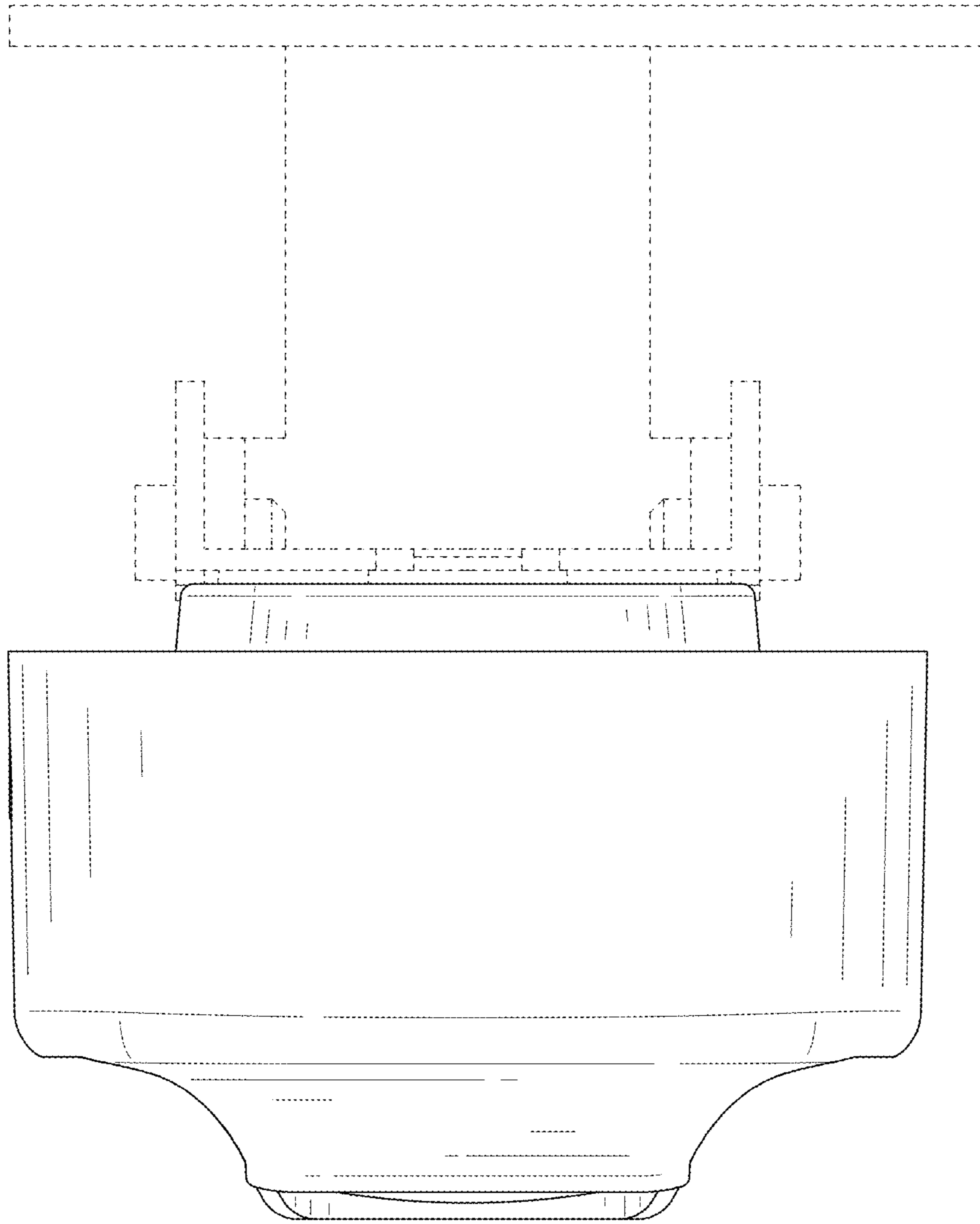


FIG. 7

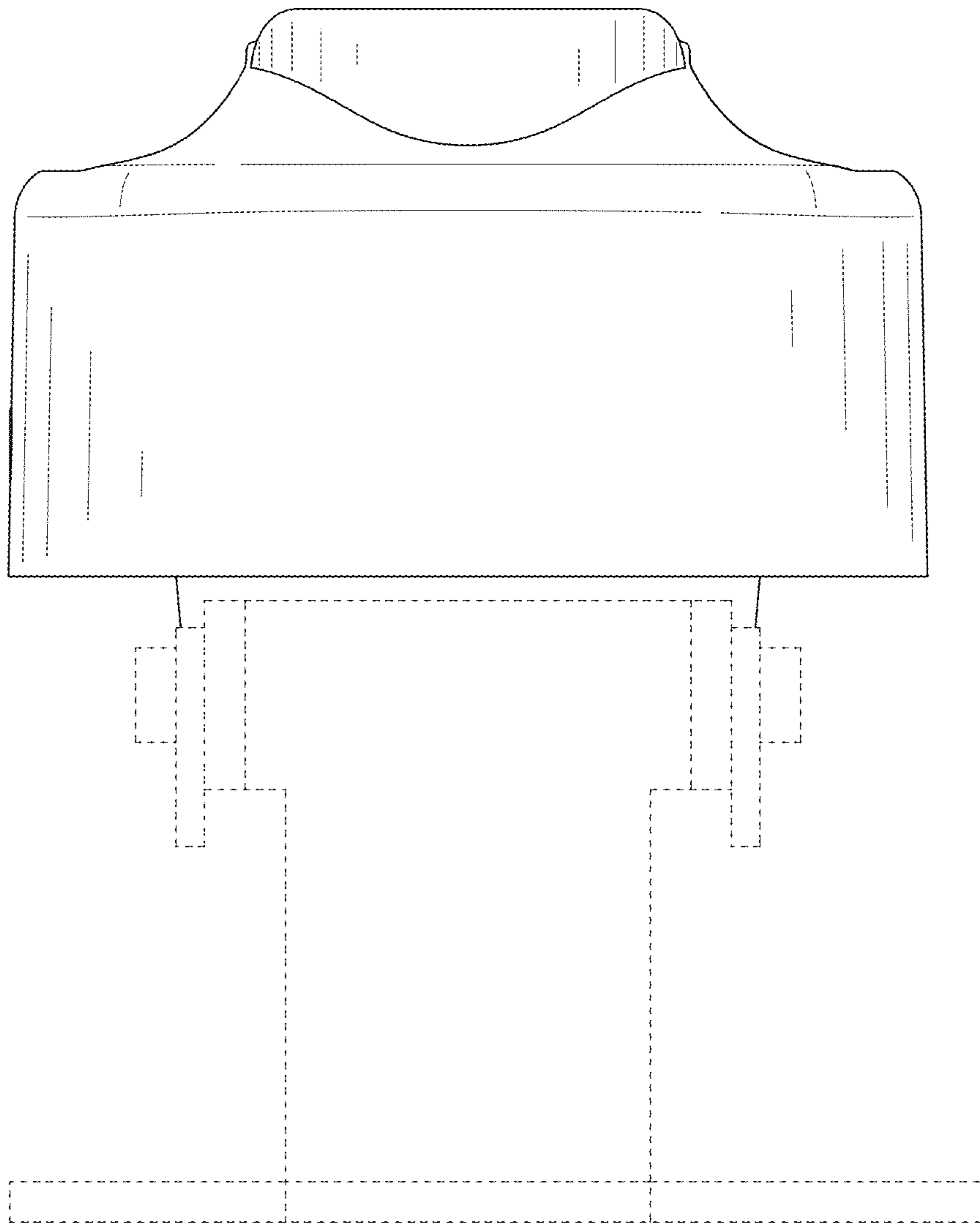


FIG. 8