



US00D904485S

(12) **United States Design Patent** (10) **Patent No.:** **US D904,485 S**
Robbins et al. (45) **Date of Patent:** **** Dec. 8, 2020**

(54) **MOBILE DEVICE CAMERA ADAPTER**

(71) Applicant: **Mark L. Anderson**, Spring Valley, WI (US)

(72) Inventors: **Clent Robbins**, Spring Valley, WI (US); **Bob Battle**, Spring Valley, WI (US); **Jim Wait**, Spring Valley, WI (US); **Mark L. Anderson**, Spring Valley, WI (US)

(73) Assignee: **Mark L. Anderson**, Spring Valley, WI (US)

(**) Term: **15 Years**

(21) Appl. No.: **29/647,196**

(22) Filed: **May 10, 2018**

(51) **LOC (12) Cl.** **16-01**

(52) **U.S. Cl.**
USPC **D16/208**

(58) **Field of Classification Search**
USPC D16/134, 136, 200, 202–206, 208, 218, D16/219, 237, 242; D14/203.3, 203.4, D14/250, 345, 440, 449; 348/373–376; 396/535, 539–541
CPC G03B 15/03; G03B 17/02; G03B 17/04; G03B 17/56; G03B 19/04; H04N 5/2251; H04N 5/2252; H04N 5/2253; H04N 5/2254; H04N 2101/00
See application file for complete search history.

(56) **References Cited**

U.S. PATENT DOCUMENTS

D487,453 S * 3/2004 Ribeiro D14/240
D687,026 S * 7/2013 Ruvolo D14/250
D707,669 S * 6/2014 Guzman D14/250

D717,288 S * 11/2014 Adams D14/252
D729,299 S * 5/2015 Adams D16/208
D732,598 S * 6/2015 Adams D16/208
D828,863 S * 9/2018 Wang D16/218
D831,725 S * 10/2018 Meneses D16/208
D858,607 S * 9/2019 Henry D16/208
2011/0110654 A1 * 5/2011 Maki H04N 5/23209
396/49
2013/0235261 A1 * 9/2013 Berkner H04N 5/22541
348/374
2013/0267283 A1 * 10/2013 Guzman H04M 1/026
455/575.1
2014/0200054 A1 * 7/2014 Fraden H04M 1/72575
455/575.8

* cited by examiner

Primary Examiner — Ramzi S Almatrahi

(74) *Attorney, Agent, or Firm* — Skinner and Associates; Joel D. Skinner, Jr.

(57) **CLAIM**

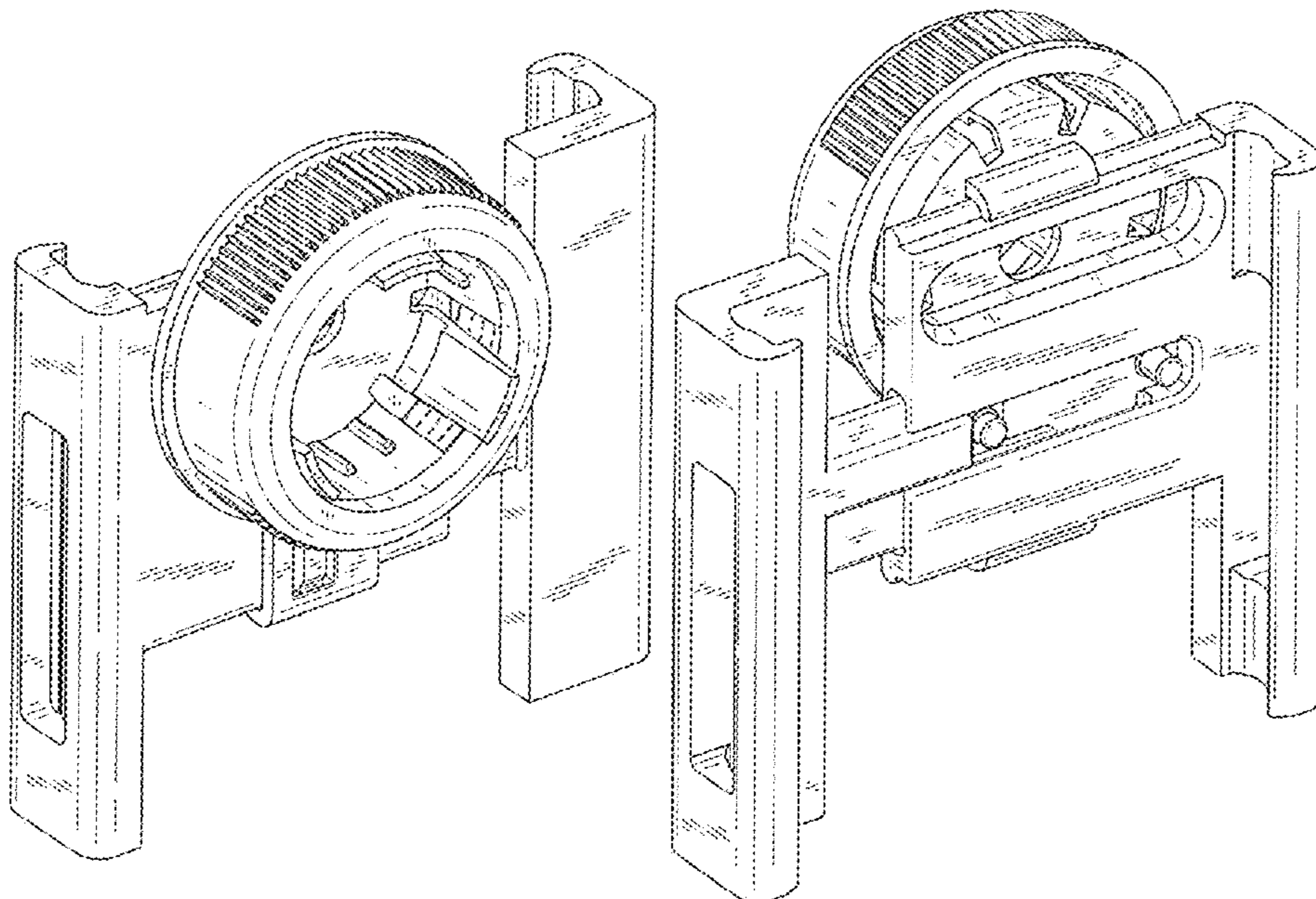
The ornamental design for a mobile device camera adapter, as shown and described.

DESCRIPTION

FIG. 1 is a front perspective view of a mobile device camera adapter showing our new design; FIG. 2 is a back perspective view thereof; FIG. 3 is a front elevation view thereof; FIG. 4 is a back elevation view thereof; FIG. 5 is a side elevation view thereof; FIG. 6 is an opposite side elevation view thereof; FIG. 7 is a top plan view thereof; and, FIG. 8 is a bottom plan view thereof.

The broken lines depict portions of the mobile device camera adapter in which the design is embodied that form no part of the claimed design.

1 Claim, 6 Drawing Sheets



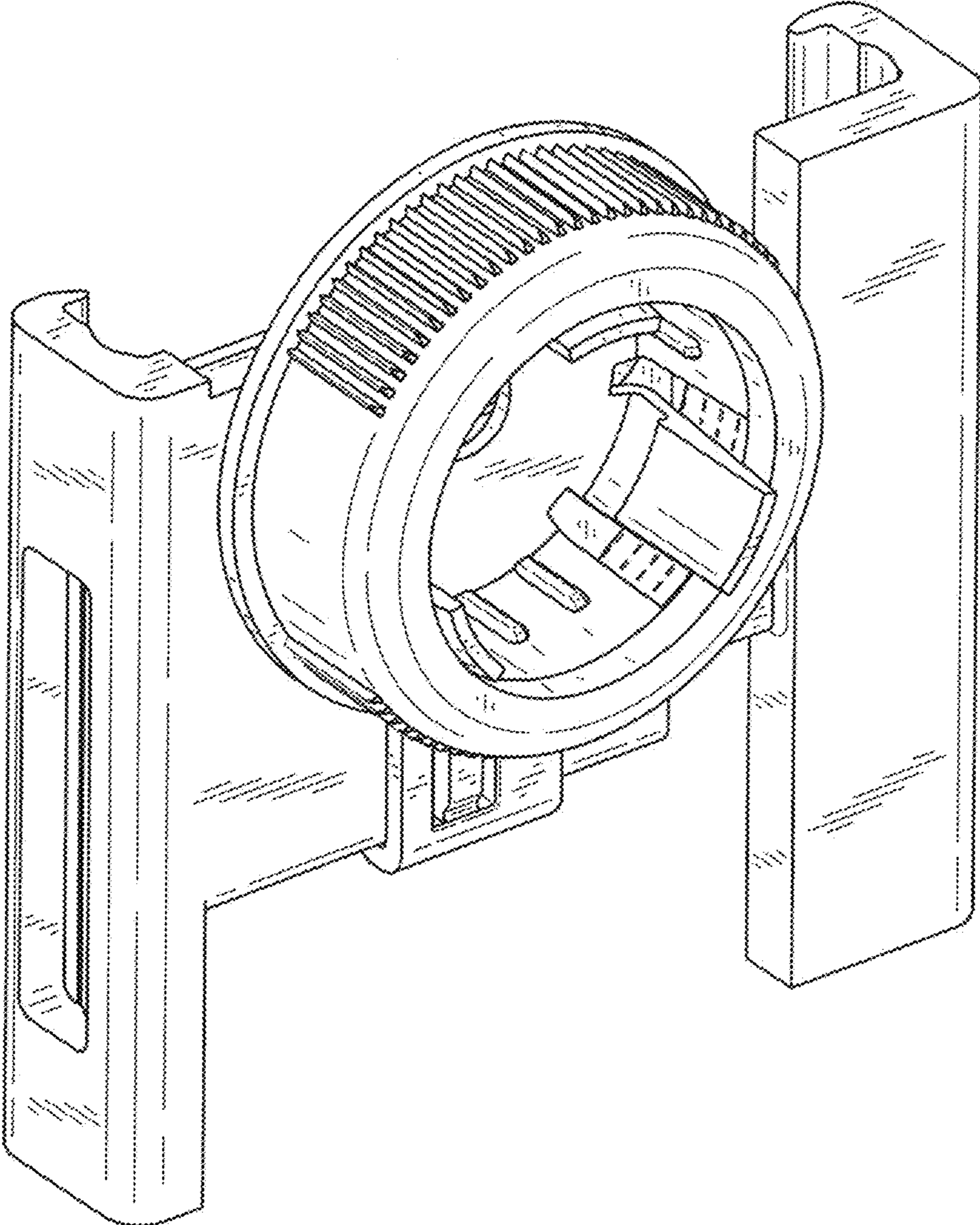


FIG. 1

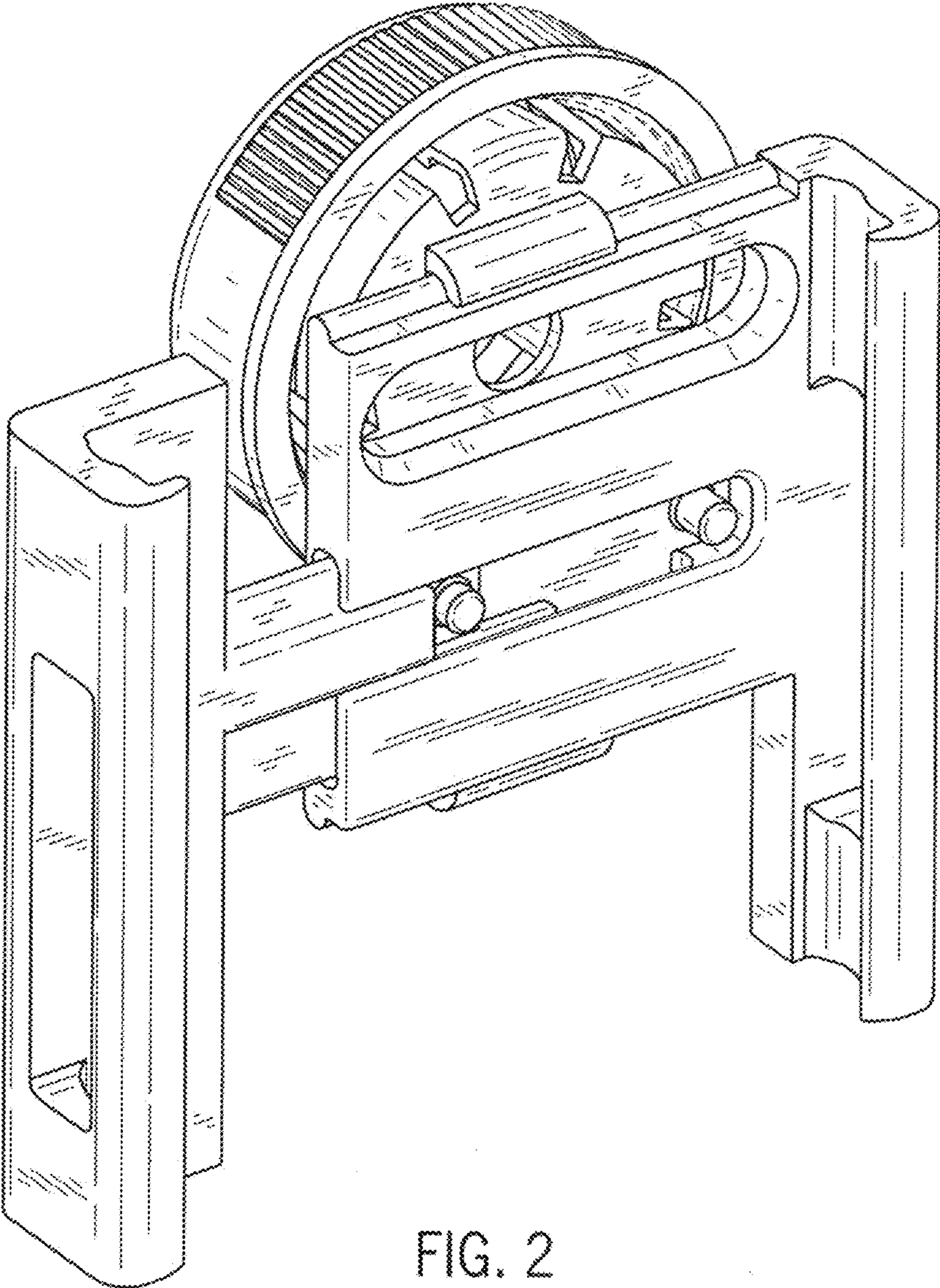


FIG. 2

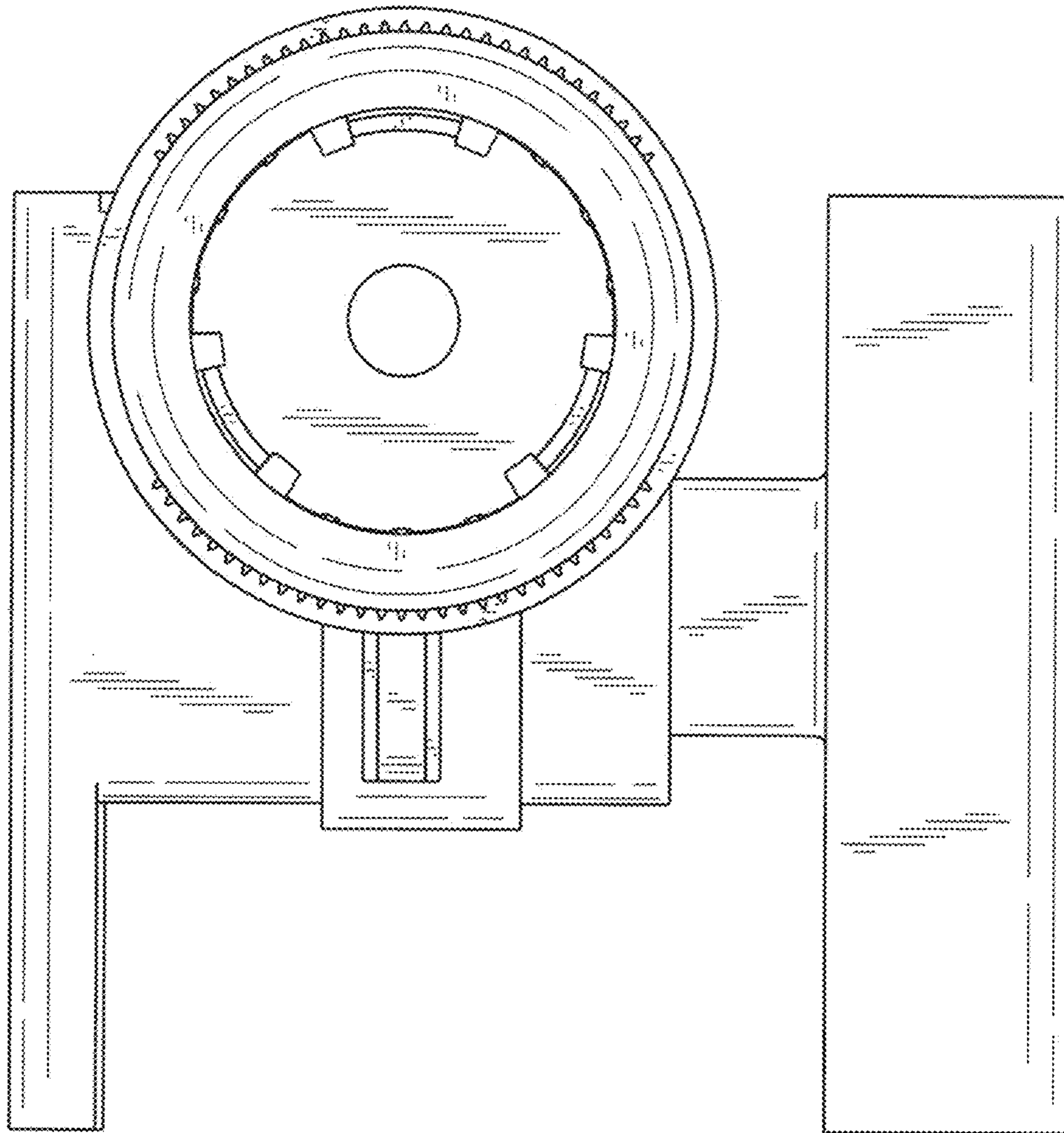


FIG. 3

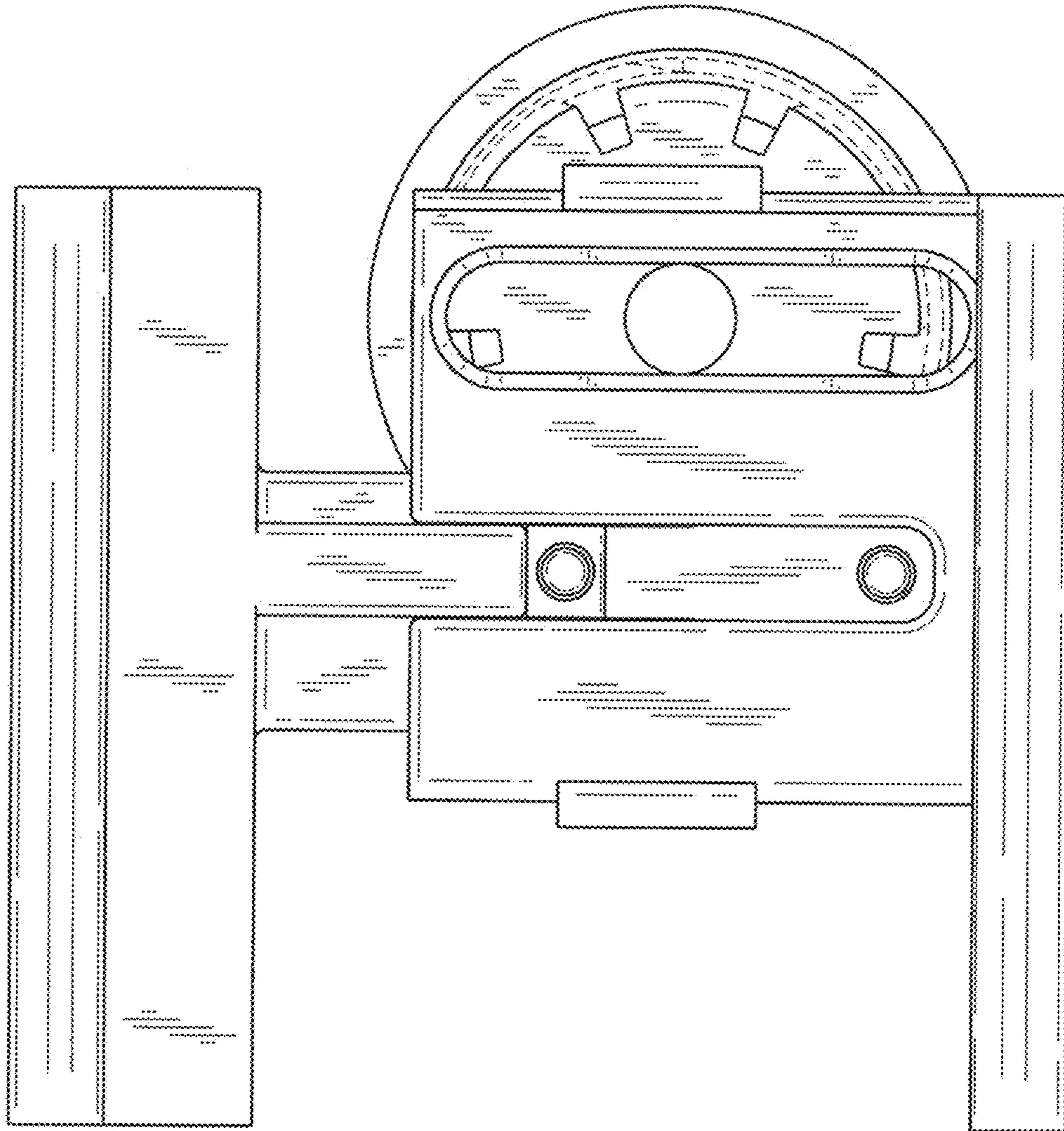


FIG. 4

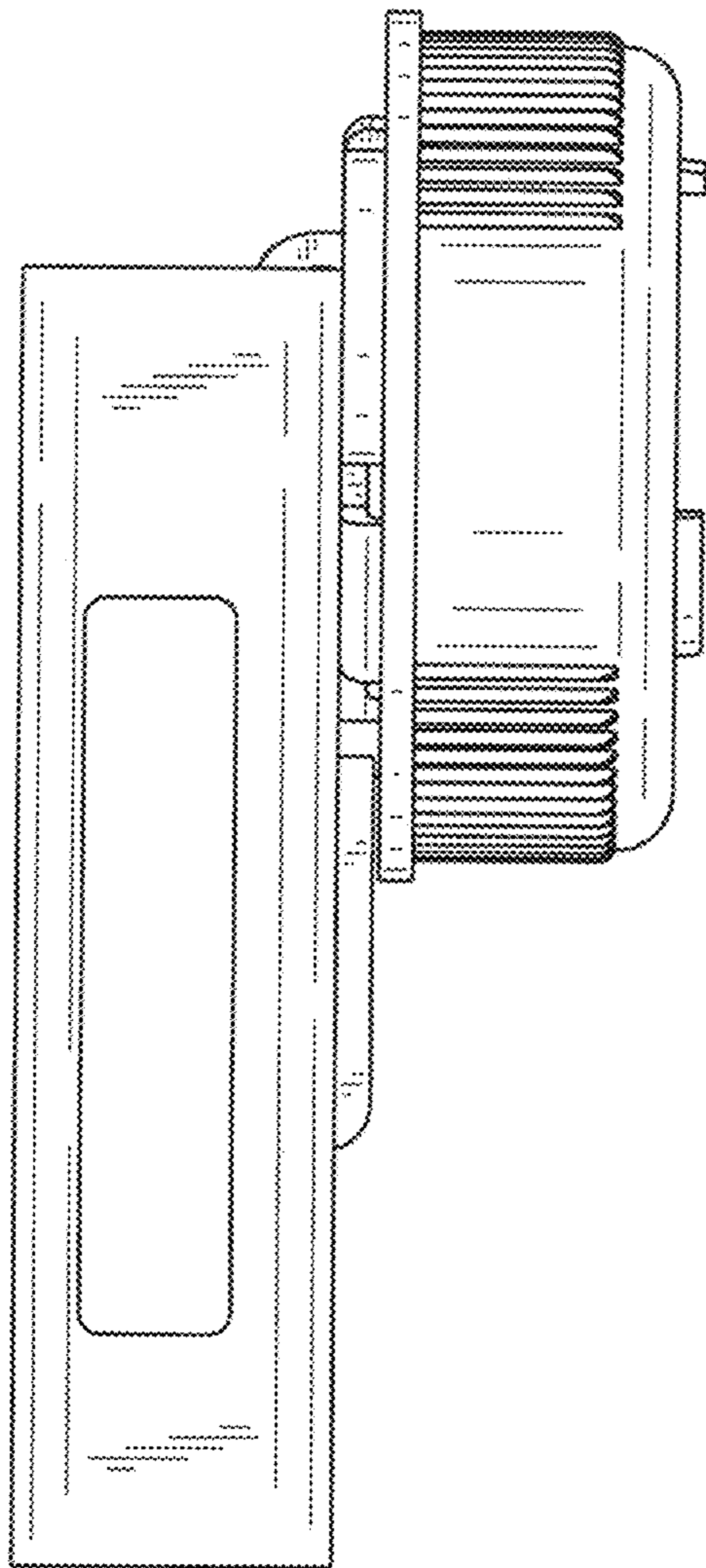


FIG. 5

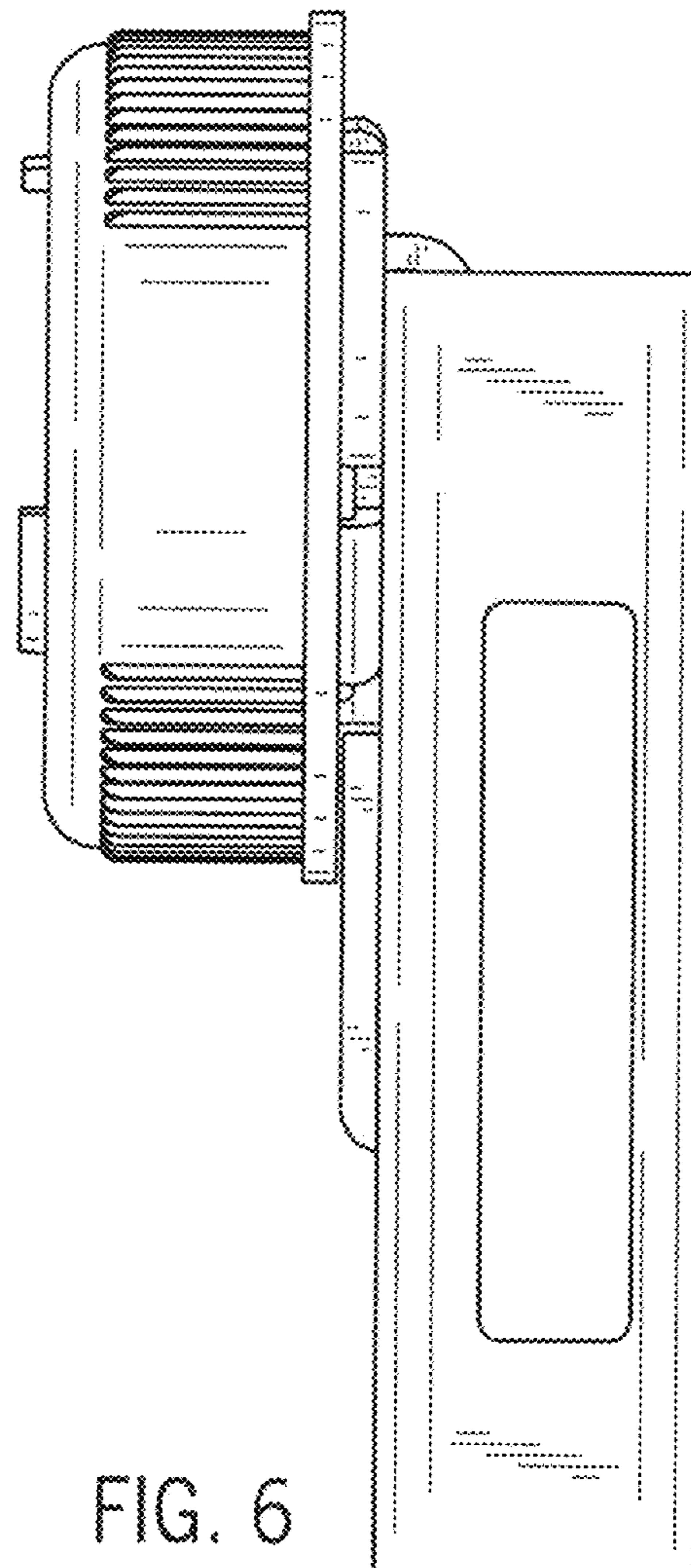


FIG. 6

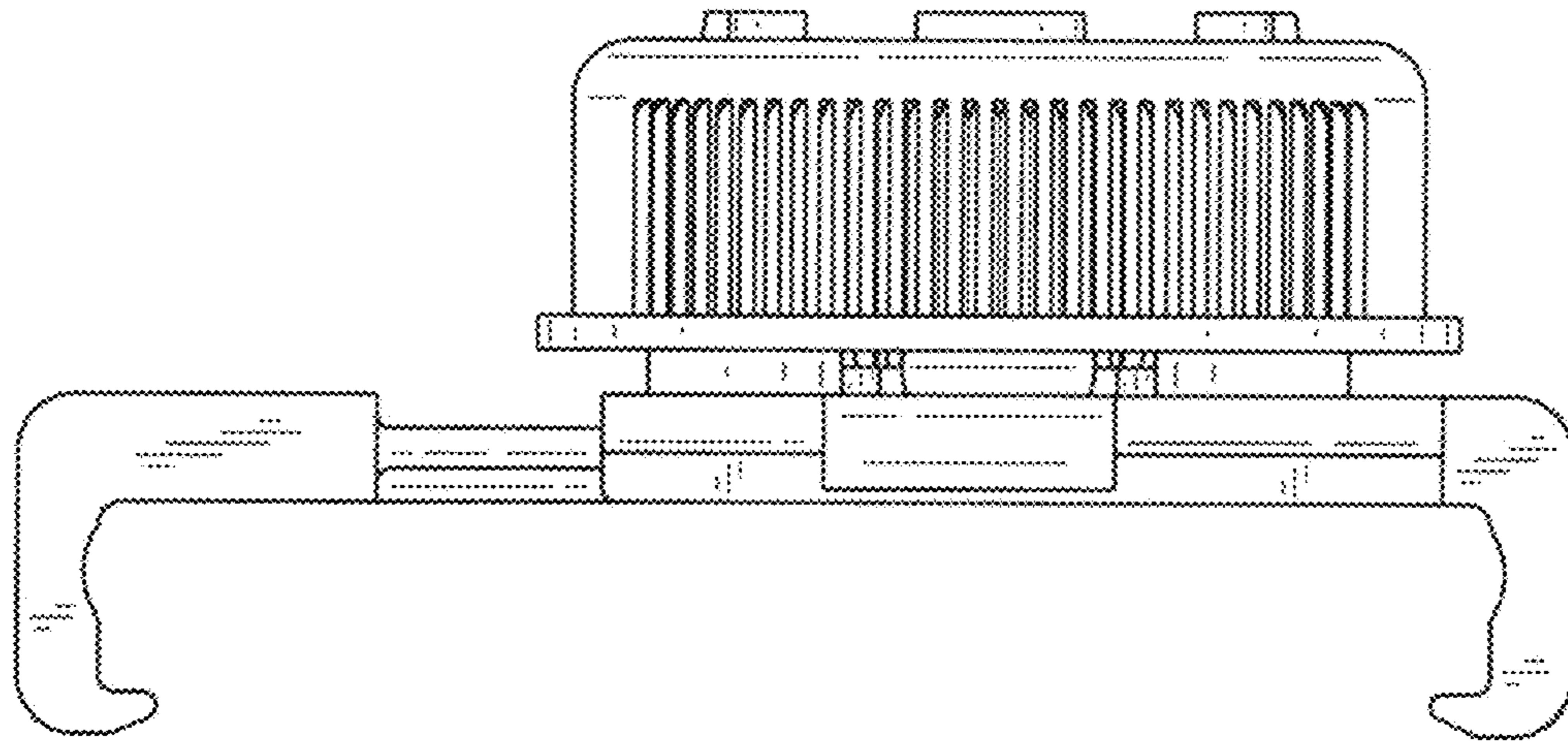


FIG. 7

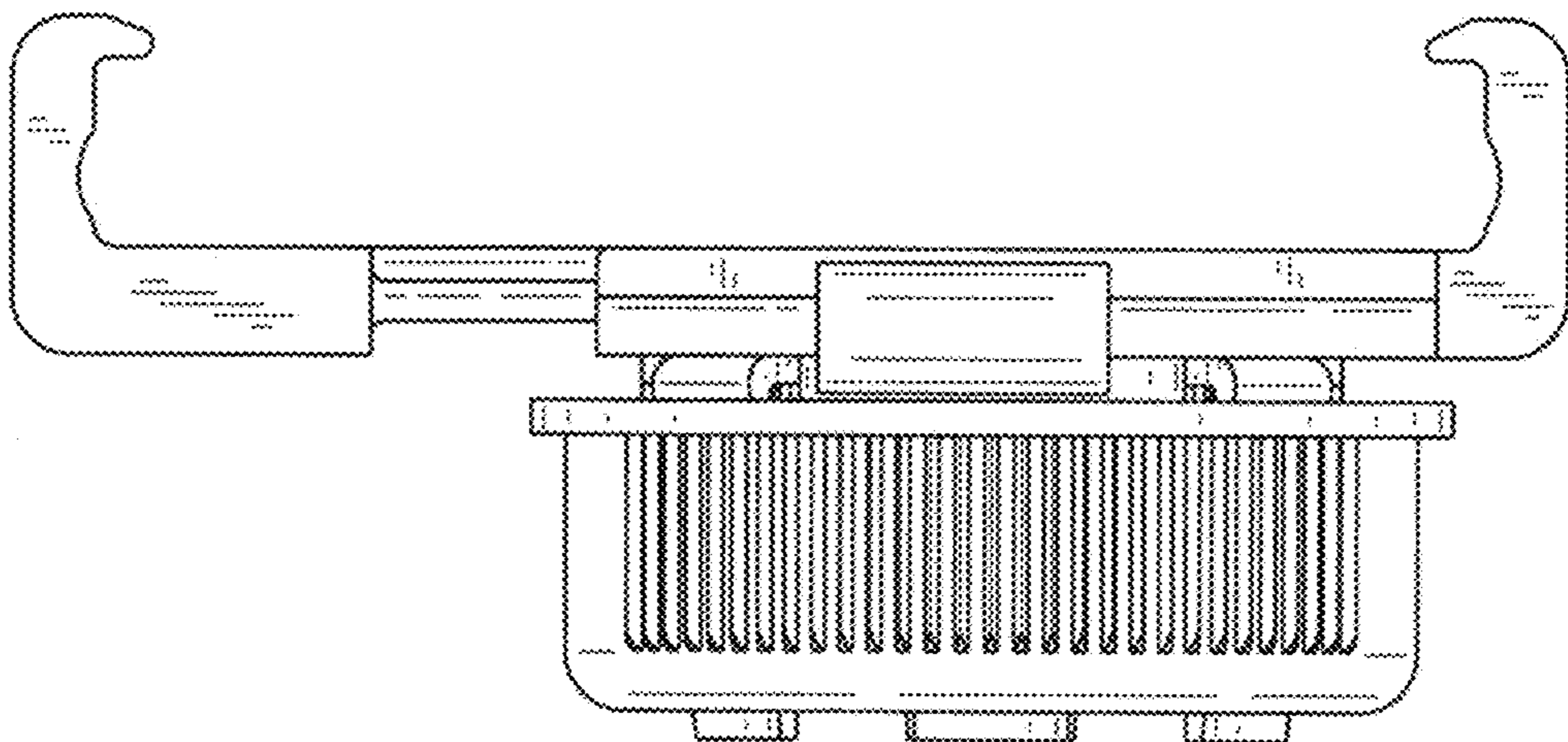


FIG. 8