



US00D904484S

(12) **United States Design Patent**  
**Xiong**

(10) **Patent No.:** **US D904,484 S**

(45) **Date of Patent:** **\*\* Dec. 8, 2020**

(54) **BACKUP CAMERA**

(71) Applicant: **Li-Jun Xiong**, Hubei (CN)

(72) Inventor: **Li-Jun Xiong**, Hubei (CN)

(\*\*) Term: **15 Years**

(21) Appl. No.: **29/633,070**

(22) Filed: **Jan. 12, 2018**

(51) **LOC (12) Cl.** ..... **16-01**

(52) **U.S. Cl.**  
USPC ..... **D16/208; D16/218**

(58) **Field of Classification Search**  
USPC ..... D16/200, 202–206, 208–209, 212, 218,  
D16/219; D12/187–189, 400;  
348/373–376; 396/448, 535, 539–541;  
340/932.2, 933, 937  
CPC ..... G03B 15/03; G03B 17/02; G03B 17/04;  
G03B 17/56; G03B 19/04; H04N 5/2251;  
H04N 5/2252; H04N 5/2253; H04N  
5/2254; H04N 2101/00

See application file for complete search history.

(56) **References Cited**

**U.S. PATENT DOCUMENTS**

D657,808 S \* 4/2012 Woodman ..... D16/200  
8,544,643 B2 \* 10/2013 Yim ..... G03B 17/08  
206/316.2  
D745,588 S \* 12/2015 Cho ..... D16/218  
D795,162 S \* 8/2017 Kwon ..... D12/400

D820,894 S \* 6/2018 Tang ..... D16/202  
D840,851 S \* 2/2019 Ammar ..... D10/104.1  
D849,082 S \* 5/2019 Boling ..... D16/202  
D849,817 S \* 5/2019 Wang ..... D16/218  
D884,054 S \* 5/2020 Mihara ..... D16/208  
2012/0327234 A1 \* 12/2012 Fish, Jr. .... B60R 11/04  
348/148  
2013/0107110 A1 \* 5/2013 Park ..... H04N 5/2252  
348/373

\* cited by examiner

*Primary Examiner* — Ramzi S Almatrahi

(74) *Attorney, Agent, or Firm* — HYIP

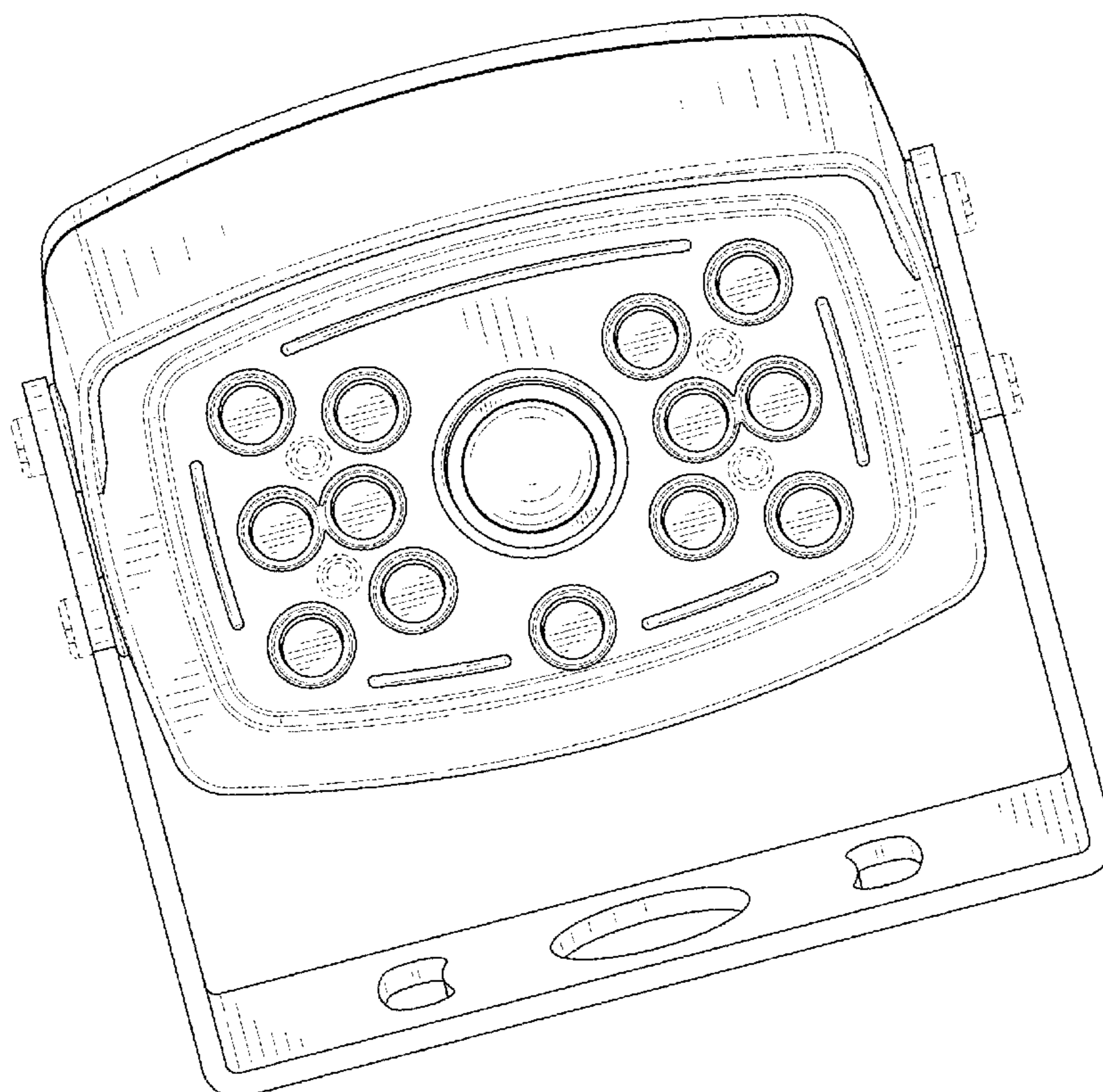
(57) **CLAIM**

I claim the ornamental design for a backup camera, as shown and described.

**DESCRIPTION**

FIG. 1 is a perspective view of a backup camera showing my new design;  
FIG. 2 is a front elevational view thereof;  
FIG. 3 is a top plan view thereof;  
FIG. 4 is a left side elevational view thereof;  
FIG. 5 is a rear elevational view thereof;  
FIG. 6 is a right side elevational view thereof; and,  
FIG. 7 is a bottom plan view thereof.  
The broken lines depict portions of the backup camera in which the design is embodied that form no part of the claimed design.

**1 Claim, 7 Drawing Sheets**



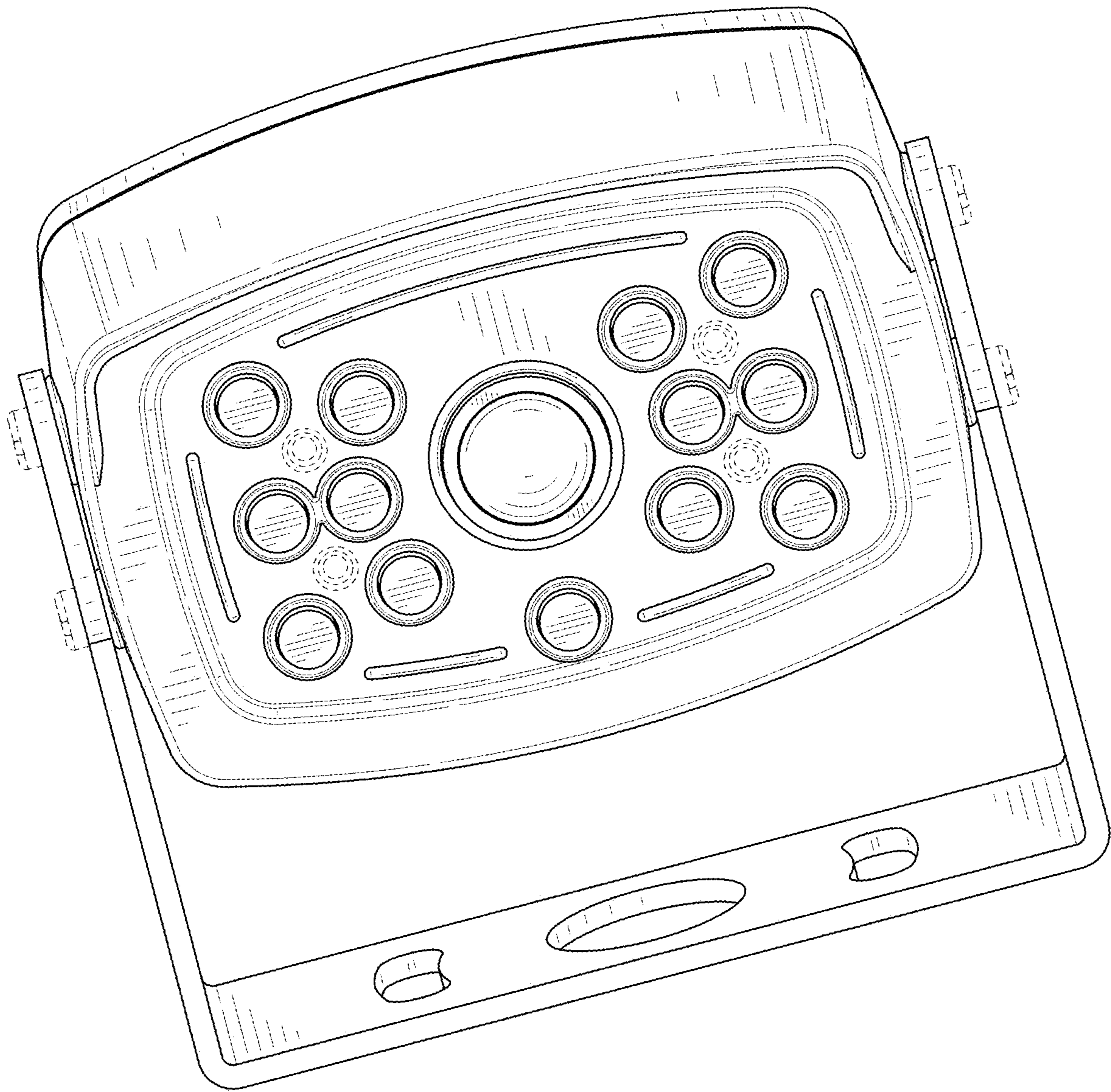


FIG. 1

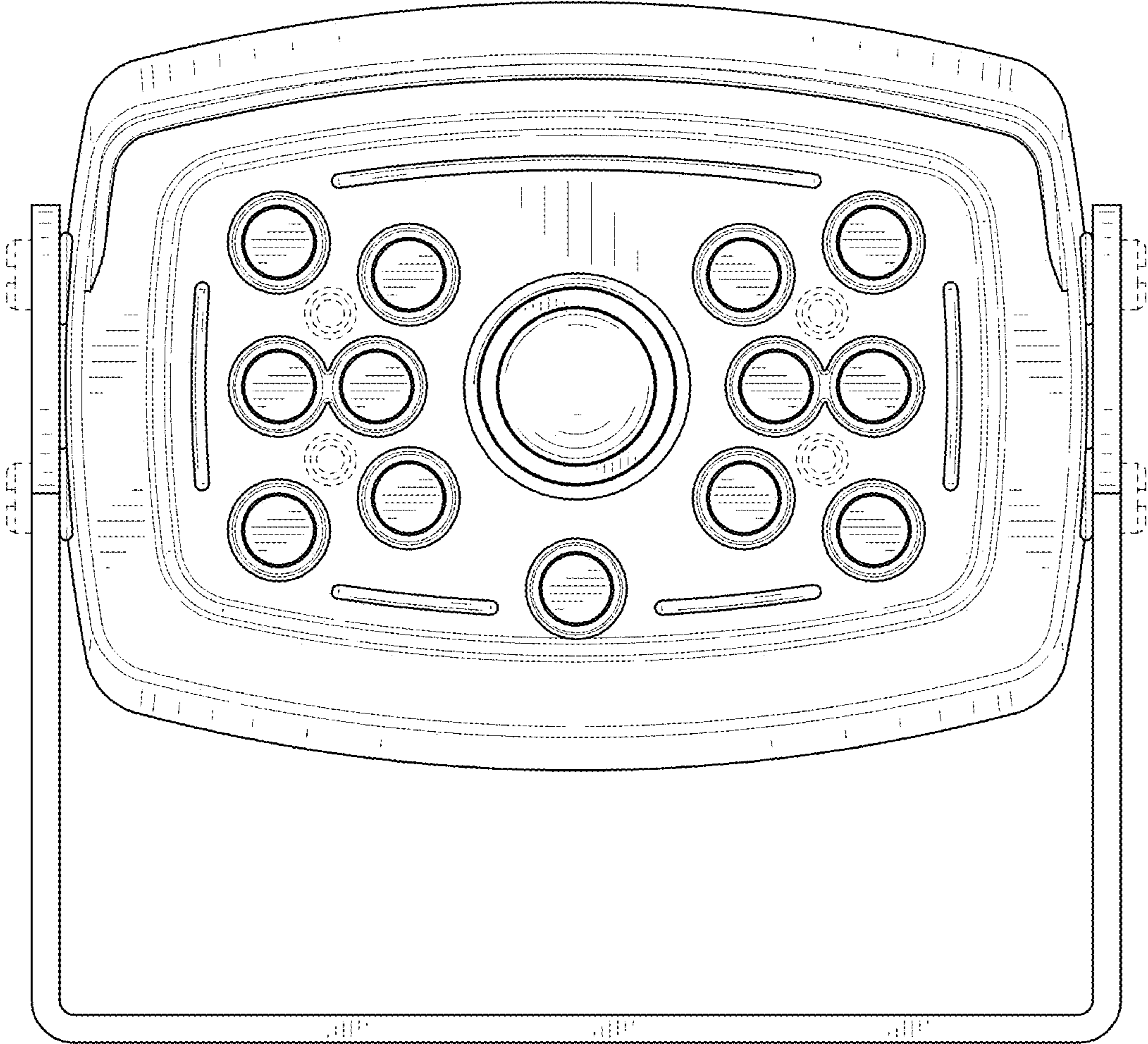


FIG. 2

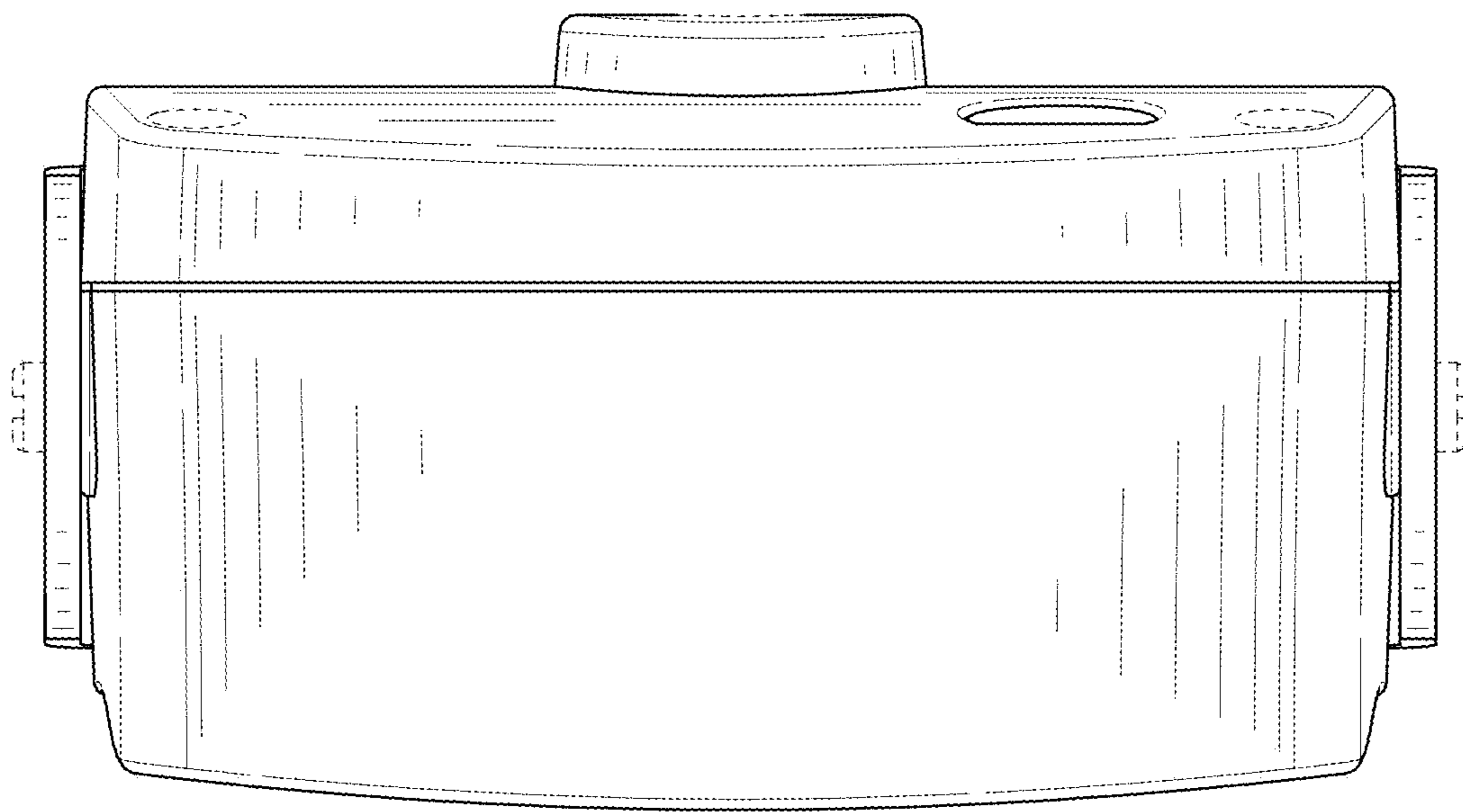


FIG. 3

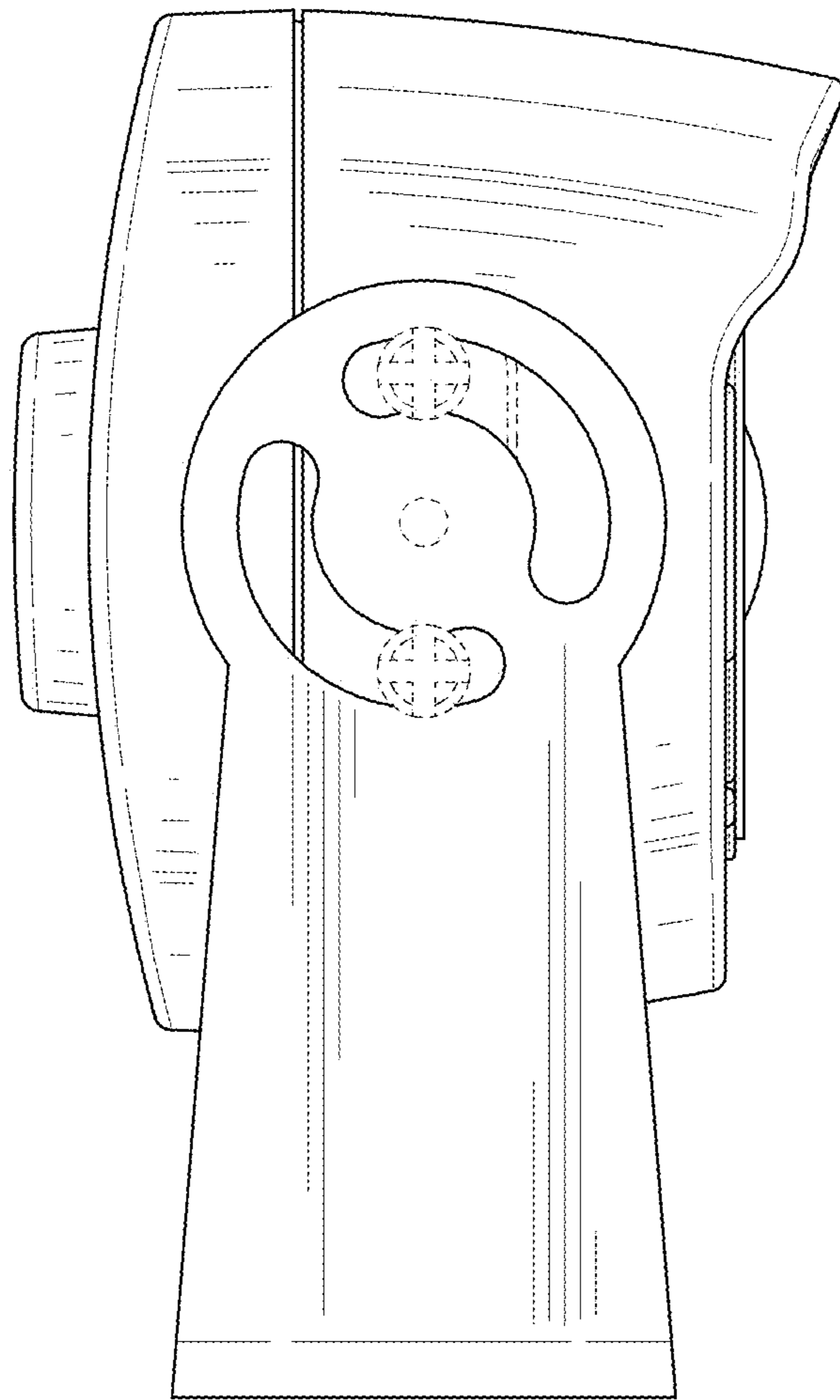


FIG. 4

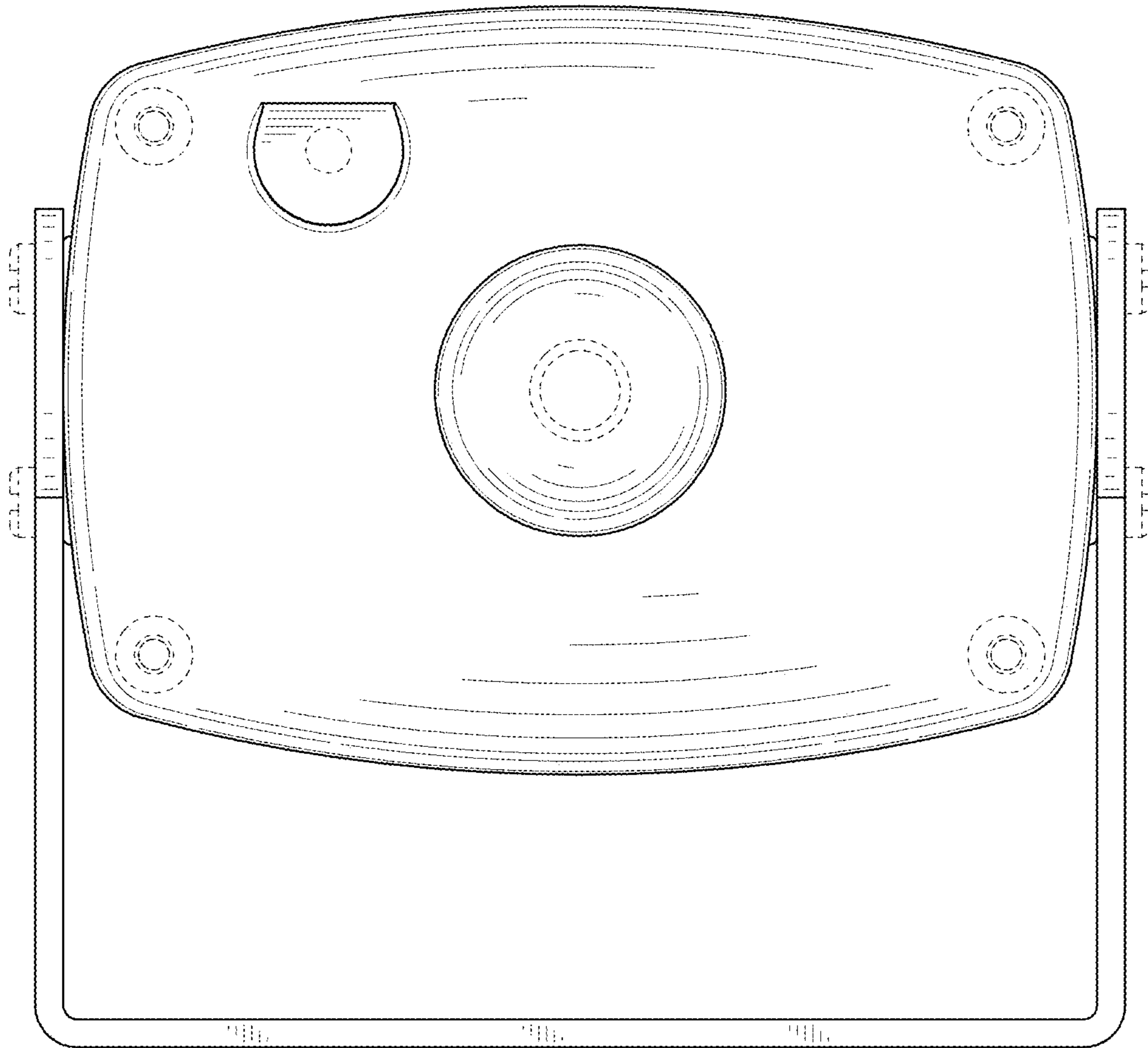


FIG. 5

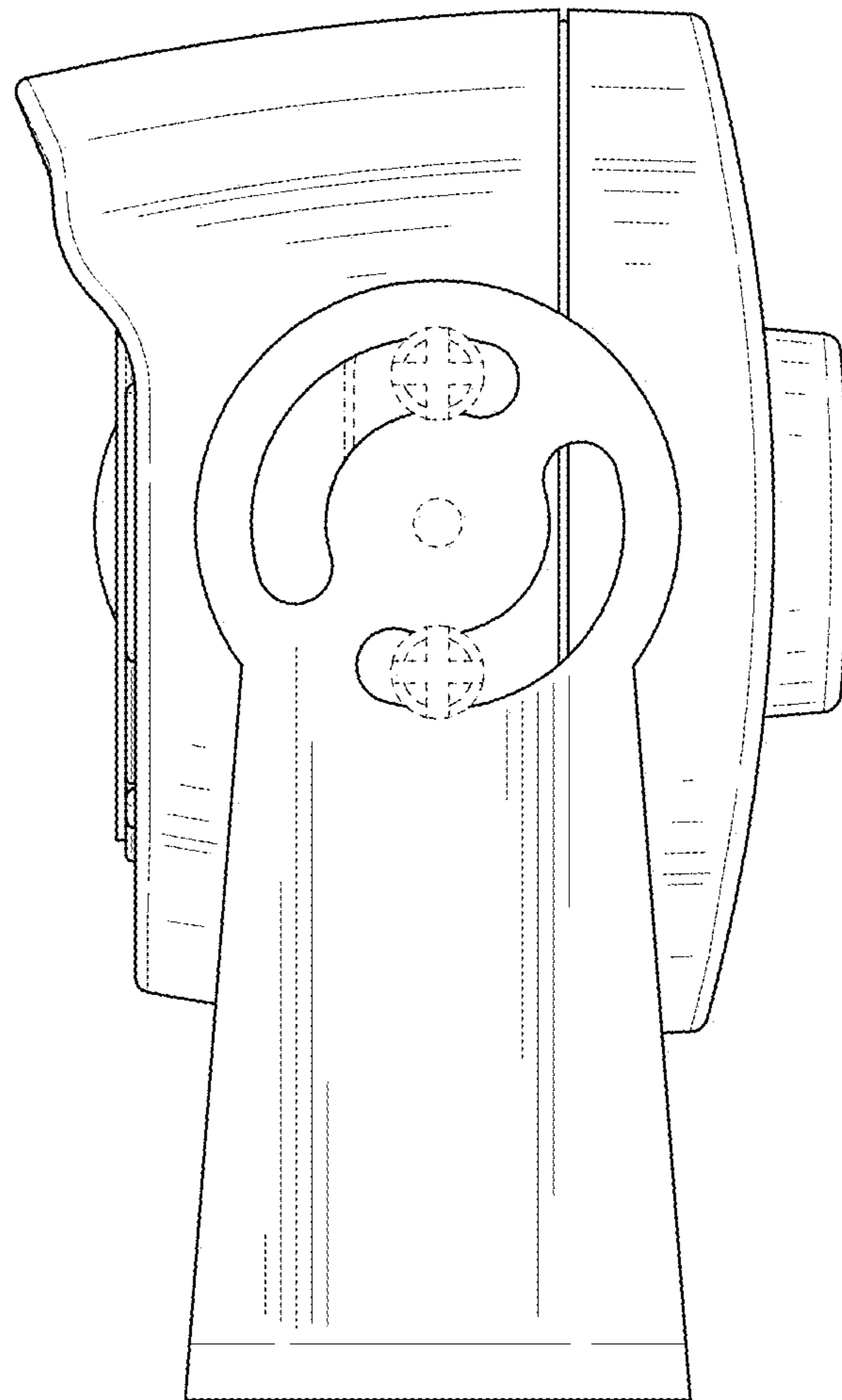


FIG. 6

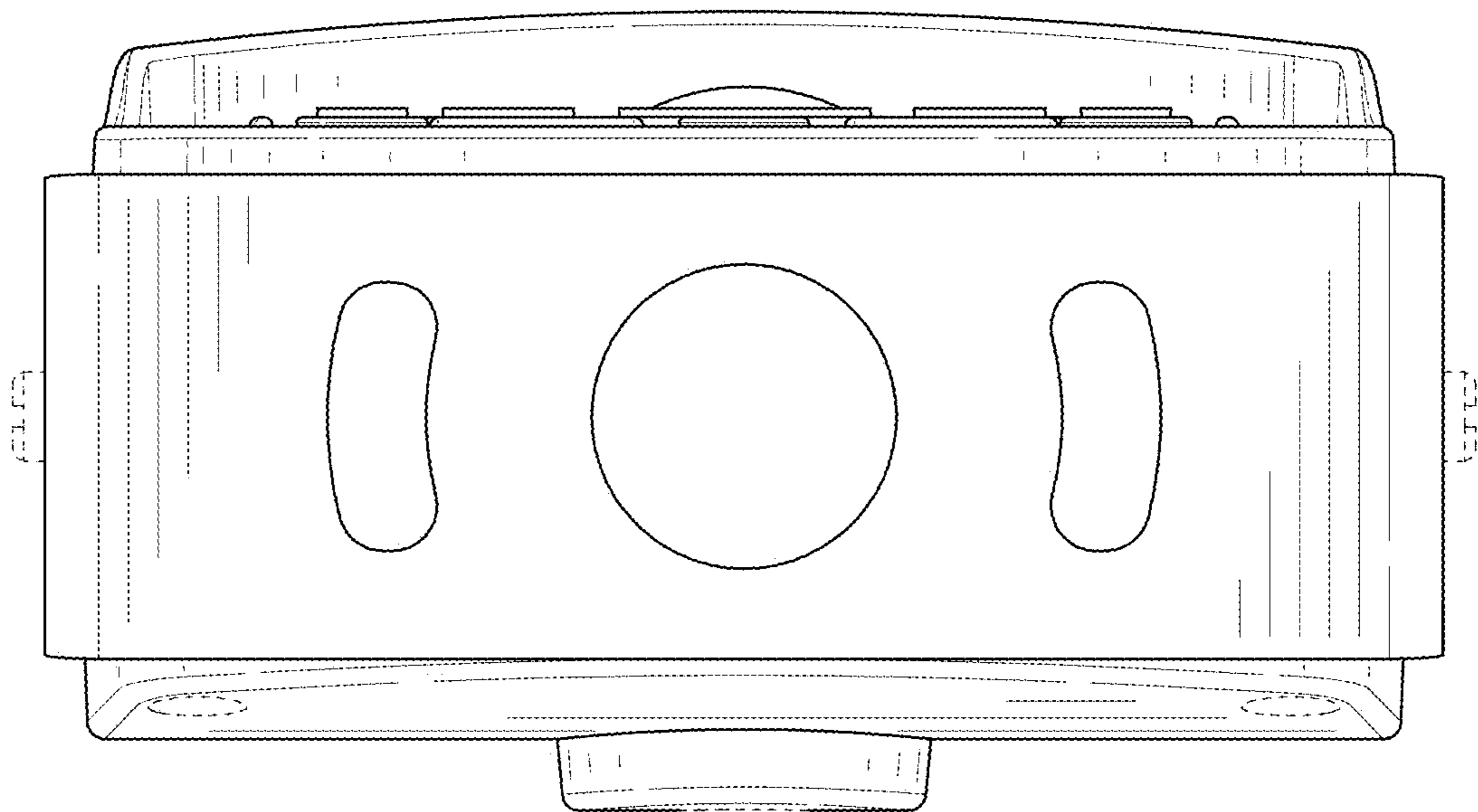


FIG. 7