



US00D904483S

(12) **United States Design Patent** (10) **Patent No.:** **US D904,483 S**
Gleason et al. (45) **Date of Patent:** **** Dec. 8, 2020**

(54) **CAMERA HOUSING**

FOREIGN PATENT DOCUMENTS

(71) Applicant: **Cisco Technology, Inc.**, San Jose, CA (US)

CN 301465318 ‡ 2/2011
CN 302309136 ‡ 1/2013

(Continued)

(72) Inventors: **Peter W. Gleason**, Berkeley, CA (US); **Nicholas James Kaoru Kawamoto**, Novato, CA (US); **Nicholas Dye Abalos**, San Francisco, CA (US); **Ian Matthew Snyder**, San Francisco, CA (US); **Jennifer Ouk**, San Francisco, CA (US)

OTHER PUBLICATIONS

Vintage Tulip table lamp—1970s, available for sale 1970s, published 2019 [online], [retrieved Jun. 19, 2019], Available from Internet, URL: <https://www.design-mkt.com/39978-vintage-tulip-table-lamp-1970s.html>. ‡

(Continued)

(73) Assignee: **CISCO TECHNOLOGY, INC.**, San Jose, CA (US)

Primary Examiner — Dana K Weiland

Assistant Examiner — Mary Claire Ramirez

(74) *Attorney, Agent, or Firm* — Polsinelli PC

(**) Term: **15 Years**

(21) Appl. No.: **29/711,682**

(57) **CLAIM**

(22) Filed: **Nov. 1, 2019**

We claim the ornamental design for a camera housing, as shown and described.

Related U.S. Application Data

DESCRIPTION

(63) Continuation of application No. 29/635,044, filed on Jan. 26, 2018, now Pat. No. Des. 866,634.

(51) **LOC (12) Cl.** **16-01**

(52) **U.S. Cl.**
USPC **D16/203**; D11/152; D11/153; D11/154; D30/129; D23/366

(58) **Field of Classification Search**
USPC D16/200–220, 131, 237, 242, 239, 250, D16/235, 130, 134, 136, 238;

(Continued)

FIG. 1 is a perspective view of a camera housing, showing our new design;
FIG. 2 is a front elevational view thereof;
FIG. 3 is a rear elevational view thereof;
FIG. 4 is a left side elevational view thereof;
FIG. 5 is a right side elevational view thereof;
FIG. 6 is a top plan view thereof;
FIG. 7 is a bottom plan view thereof;
FIG. 8 is an exploded, front-left perspective view thereof; and,
FIG. 9 is an exploded, rear-right perspective view thereof. The broken lines showing a cord in FIGS. 3-7 depict environmental subject matter that forms no part of the claimed design. All other broken lines shown in the drawings depict portions of the camera housing that form no part of the claimed design.

(56) **References Cited**

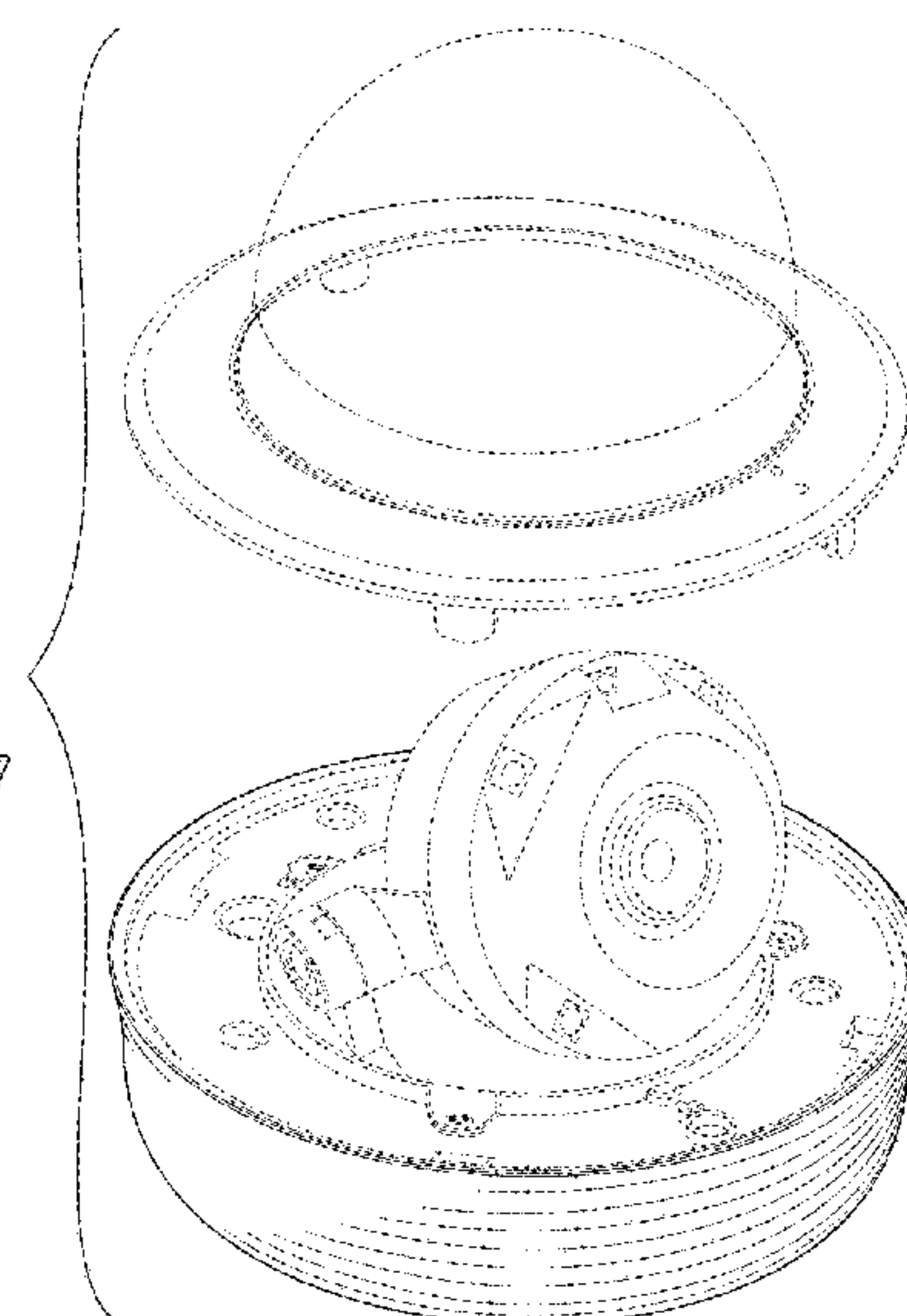
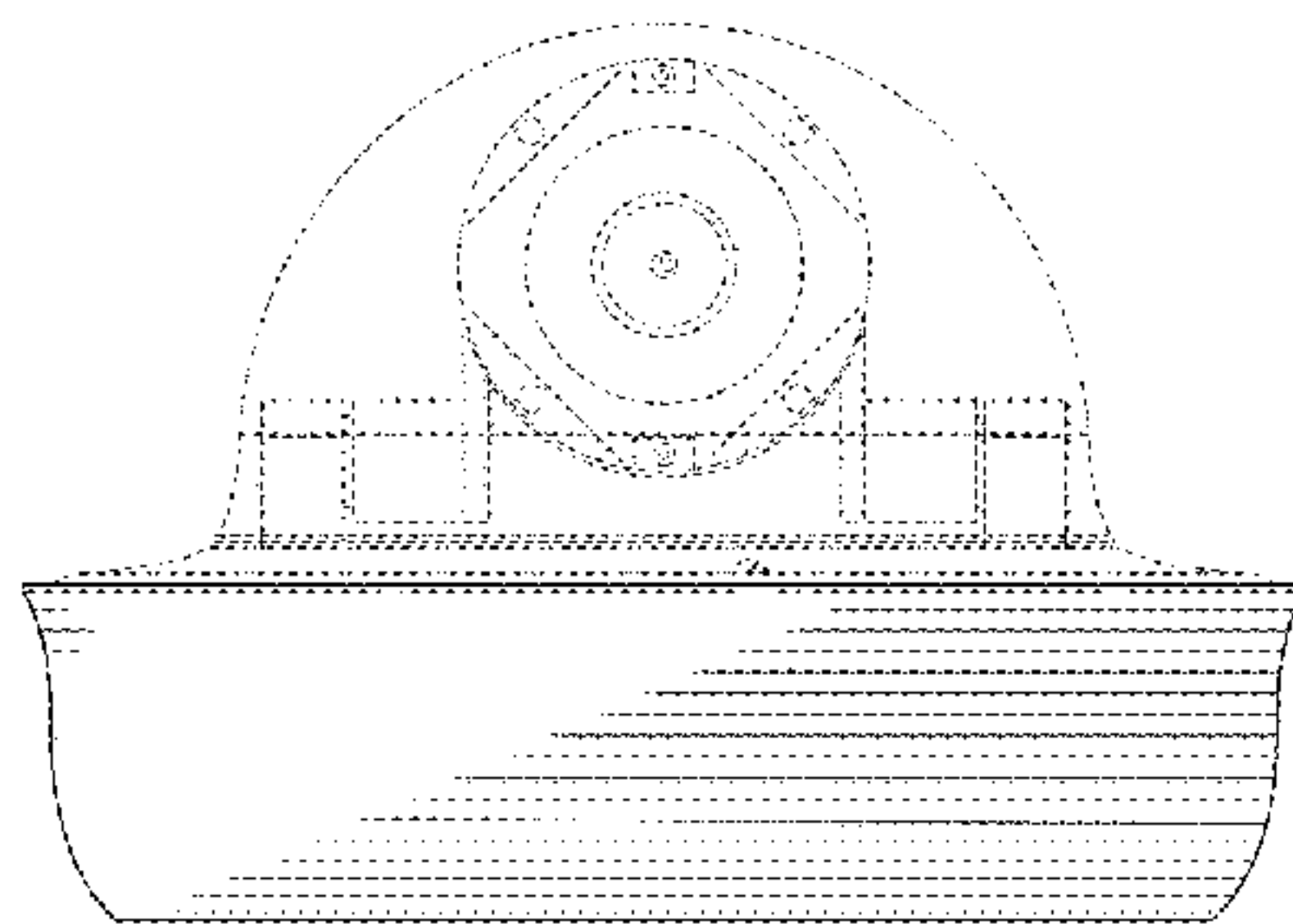
U.S. PATENT DOCUMENTS

1,361,365 A * 12/1920 Campbell F21V 7/10 362/341

D119,982 S * 4/1940 Munz D11/145

(Continued)

1 Claim, 7 Drawing Sheets



(58) **Field of Classification Search**

USPC .. D14/138 C, 240, 248, 203.1, 203.3, 203.7,
 D14/218; D10/104.1, 50, 65, 74, 70,
 D10/118.2; D7/566, 608, 587, 502, 503;
 D9/429, 522, 548, 549, 424, 425, 428;
 D11/143, 153, 152, 154; D23/366;
 D26/11, 89, 118, 59, 22, 37, 38, 60-62,
 D26/72, 74, 128; D30/129
 CPC ... G02B 7/02; G02B 7/04; G02B 7/14; G02B
 3/14; G03B 17/00; G03B 17/02; G03B
 17/56; G03B 17/04; G03B 17/14; G03B
 15/03; G03B 9/08; H04N 5/2251; H04N
 5/2252; H04N 5/2253; H04N 5/2254;
 H04N 7/00; H04N 2101/00; F16M 13/00
 See application file for complete search history.

(56) **References Cited**

U.S. PATENT DOCUMENTS

2,638,716 A * 5/1953 Luipersbek A01G 27/04
 47/79
 3,051,303 A * 8/1962 Daanen A47G 19/30
 206/776
 D194,506 S * 2/1963 Laan D11/147
 D228,934 S * 10/1973 Humphries et al. D11/154
 D245,643 S * 8/1977 Orfei D11/154
 D288,793 S * 3/1987 Carlson D11/153
 D290,802 S * 7/1987 Petrossian D11/149
 D322,047 S * 12/1991 Wolfenden D11/153
 D325,212 S † 4/1992 Elberbaum D16/219
 D352,480 S * 11/1994 Carlson 47/79
 D376,667 S * 12/1996 Lucluze D26/119
 D382,512 S * 8/1997 Hulsebus D11/152
 D388,892 S * 1/1998 Ratia D26/9
 D394,513 S * 5/1998 Davis D26/6
 D404,682 S * 1/1999 Baran D11/152
 D412,924 S † 8/1999 Hiraguchi D16/203
 D414,504 S † 9/1999 Madden D16/203
 D415,509 S † 10/1999 Hiraguchi D16/203
 D424,087 S † 5/2000 Frick 396/427
 D478,475 S * 8/2003 Backes D7/545
 D497,927 S † 11/2004 Arbuckle D16/203
 D538,450 S * 3/2007 Adams D26/11
 D547,347 S † 7/2007 Kim D16/202
 D548,587 S * 8/2007 DuVal D30/129
 D556,236 S † 11/2007 Kim D16/202
 D556,568 S * 12/2007 DuVal D30/129
 D560,244 S † 1/2008 Naruki D16/203
 D561,808 S † 2/2008 Arnold D16/203
 D564,557 S † 3/2008 Yamamoto D16/203
 D576,196 S † 9/2008 Grotto D16/203
 D581,961 S † 12/2008 Shioya D16/203
 D584,756 S † 1/2009 Yamakawa D16/203
 D592,459 S * 5/2009 Wolff D7/587
 D594,048 S † 6/2009 Yamakawa D16/203
 D606,404 S * 12/2009 Diss D9/428
 D615,115 S † 5/2010 Arnold D16/203
 D620,575 S * 7/2010 Jorgensen D23/366
 D628,225 S † 11/2010 Deurwaarder D16/203
 D636,805 S † 4/2011 Anneback D16/203
 D644,677 S † 9/2011 Park D16/203

D668,701 S † 10/2012 Ohno D16/203
 D676,478 S † 2/2013 Uehara D16/203
 D690,345 S † 9/2013 Seo D16/203
 D701,258 S † 3/2014 Huang D16/203
 D702,275 S † 4/2014 Ying D16/203
 D708,654 S * 7/2014 Tani D16/203
 D713,757 S * 9/2014 Thuma D11/152
 D719,600 S † 12/2014 Katori D16/203
 D719,994 S † 12/2014 Wang D16/203
 D742,447 S † 11/2015 Stark D16/203
 D753,752 S † 4/2016 Ahman D16/203
 D753,753 S † 4/2016 Moon D16/203
 9,451,133 B2 † 9/2016 Stark F16M 13/02
 D782,557 S † 3/2017 Ahman D16/203
 D791,851 S † 7/2017 Zhang D16/203
 D798,934 S † 10/2017 Wu D16/203
 D805,424 S * 12/2017 Thuma D11/153
 D815,173 S † 4/2018 Hikima D16/203
 D824,732 S * 8/2018 Hsiao D7/624.2
 D825,638 S † 8/2018 Holbrook D16/203
 D839,490 S * 1/2019 Watson D30/101
 D841,716 S † 2/2019 Teachworth D16/203
 D849,114 S † 5/2019 Jeong D16/219
 D862,988 S * 10/2019 Wiggins D7/587
 D866,634 S * 11/2019 Gleason D16/203
 D867,072 S * 11/2019 Marck D7/587
 D868,391 S * 11/2019 Townsend D30/129
 D874,533 S * 2/2020 Park D16/203
 D875,808 S * 2/2020 Park D16/203
 2007/0274706 A1 † 11/2007 Cheng G03B 17/00
 396/427
 2008/0024604 A1 † 1/2008 Menegotto G08B 13/19619
 348/143
 2008/0067180 A1 * 3/2008 Schanche A47G 19/02
 220/574
 2010/0060731 A1 † 3/2010 Lin G08B 13/19619
 348/143
 2010/0141760 A1 † 6/2010 Cheng G08B 13/1963
 348/143
 2012/0281083 A1 † 11/2012 Chivers G03B 17/02
 348/81
 2013/0287385 A1 † 10/2013 Andersson H04N 5/2252
 396/427
 2015/0326759 A1 † 11/2015 Mukai G03B 17/02
 348/374
 2018/0241915 A1 † 8/2018 Guan H04N 5/225

FOREIGN PATENT DOCUMENTS

CN 302435995 † 5/2013
 CN 303217885 † 5/2015
 CN 303542873 † 1/2016
 CN 304314626 † 10/2017
 EM 000665039-0002 † 2/2007
 EM 000665039-0003 † 2/2007

OTHER PUBLICATIONS

Prune Plum Burl Wood Bowl, published Aug. 21, 2007 [online],
 [retrieved Jun. 19, 2019], Available from Internet, URL: <https://www.penturners.org/threads/prune-plum-burl-wood-bowl.31482/>. †

* cited by examiner
 † imported from a related application

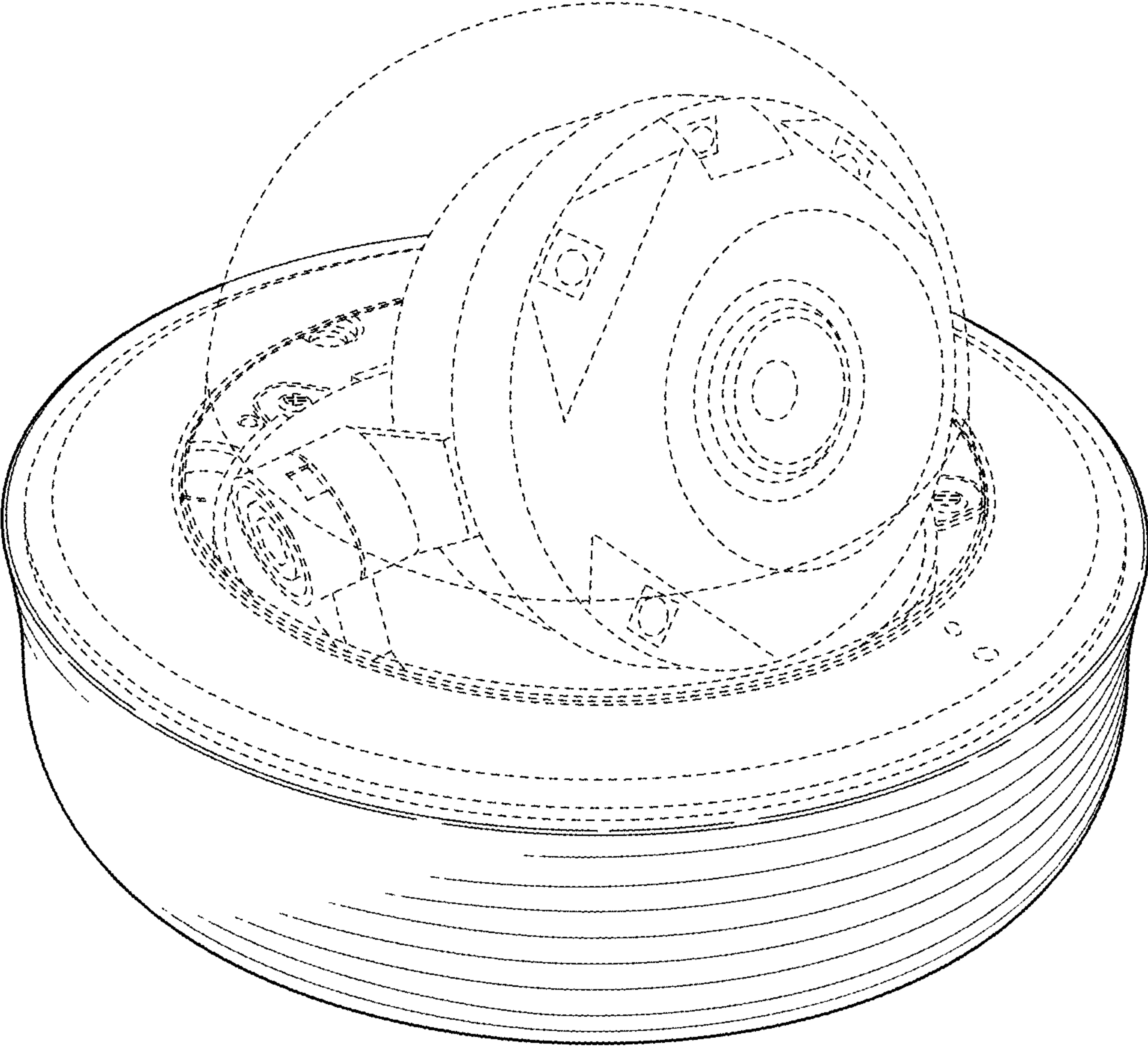


FIG. 1

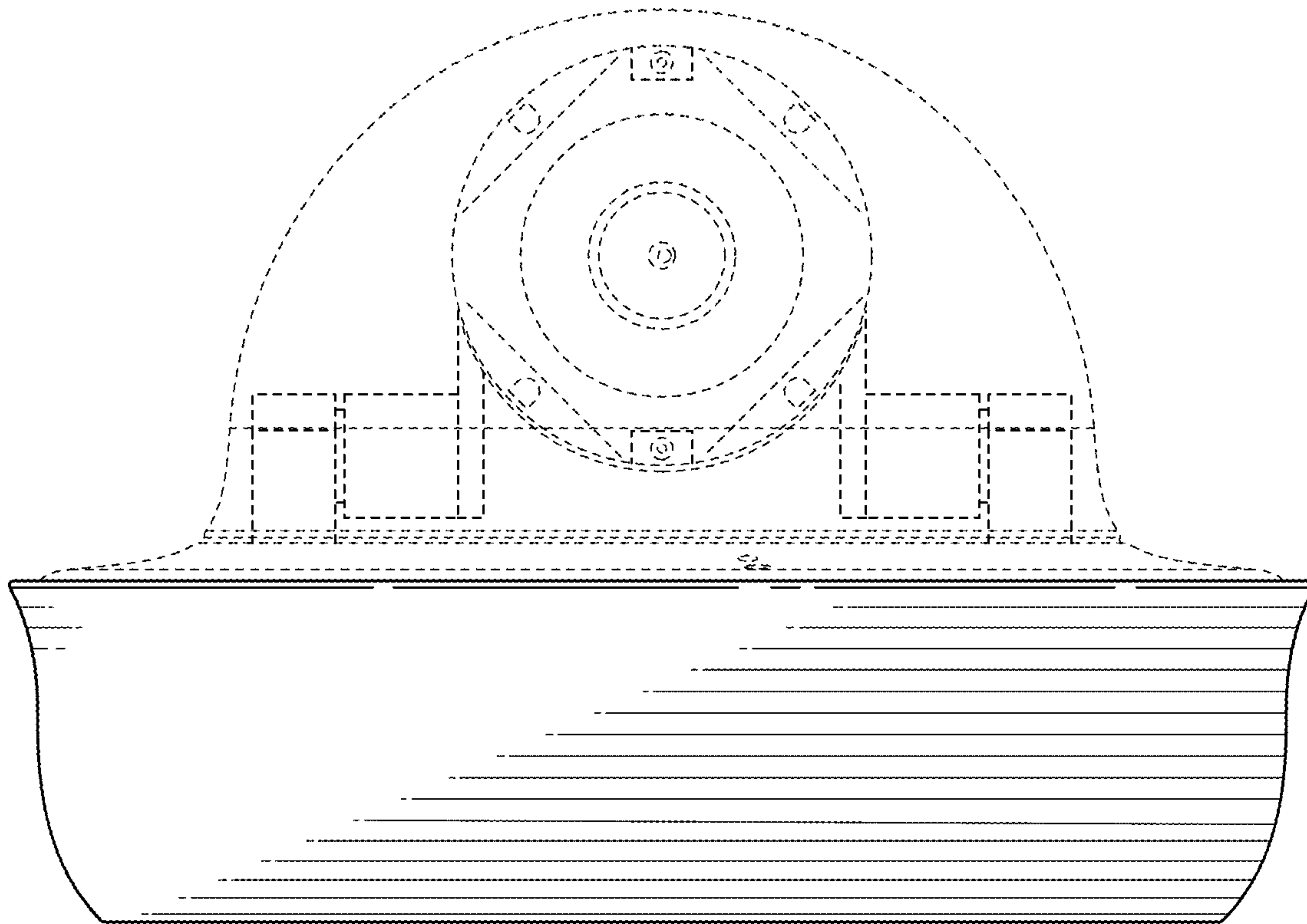


FIG. 2

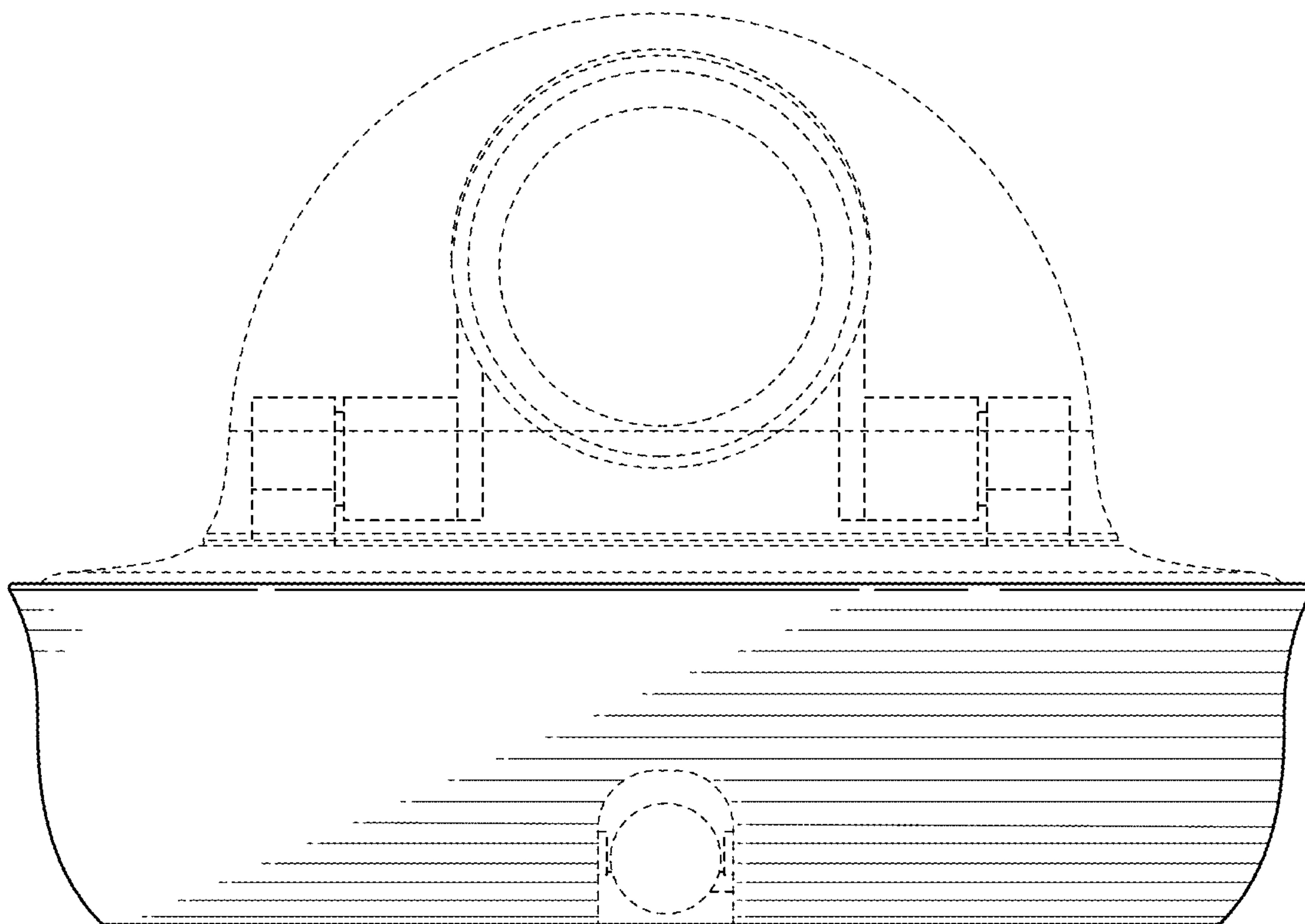


FIG. 3

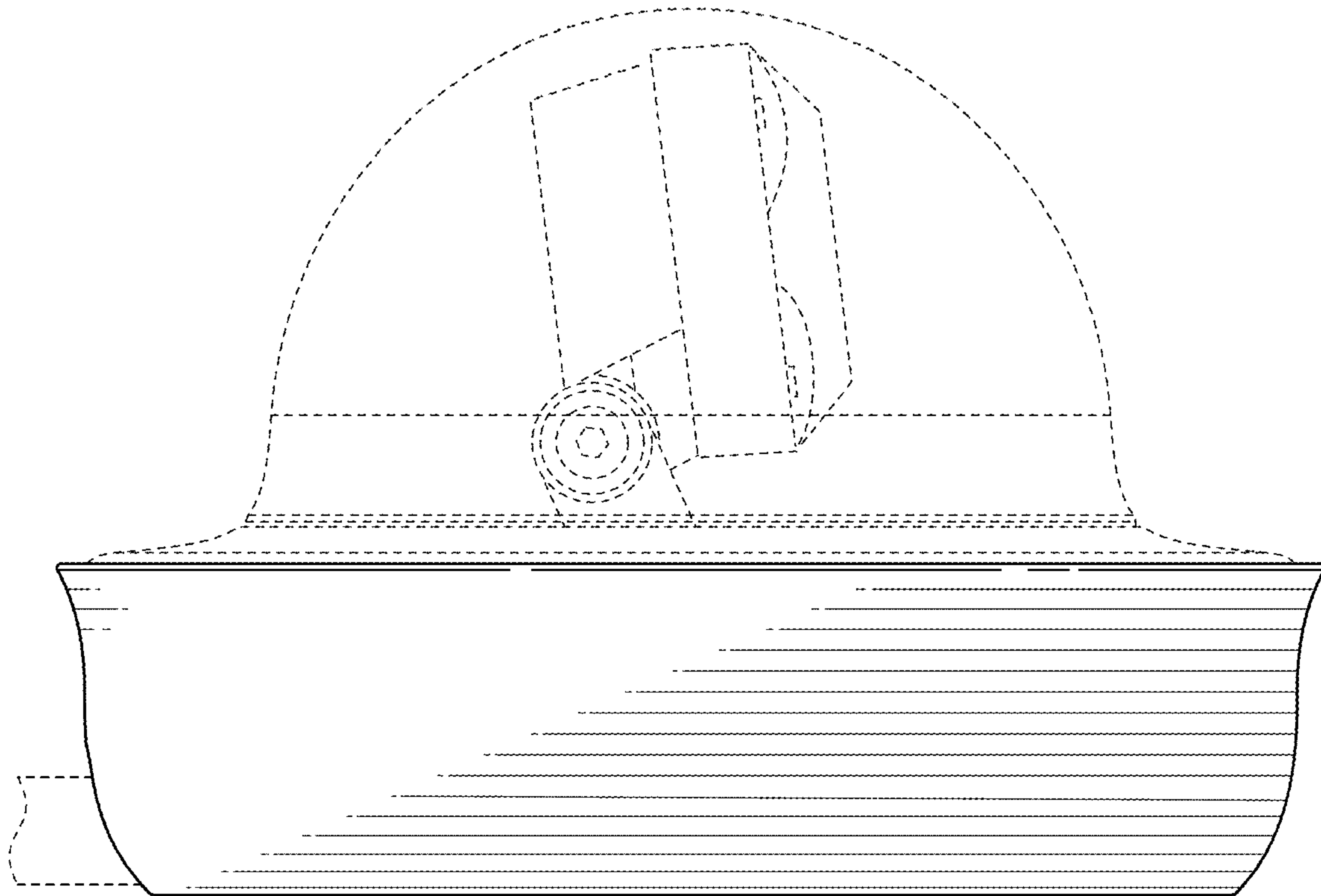


FIG. 4

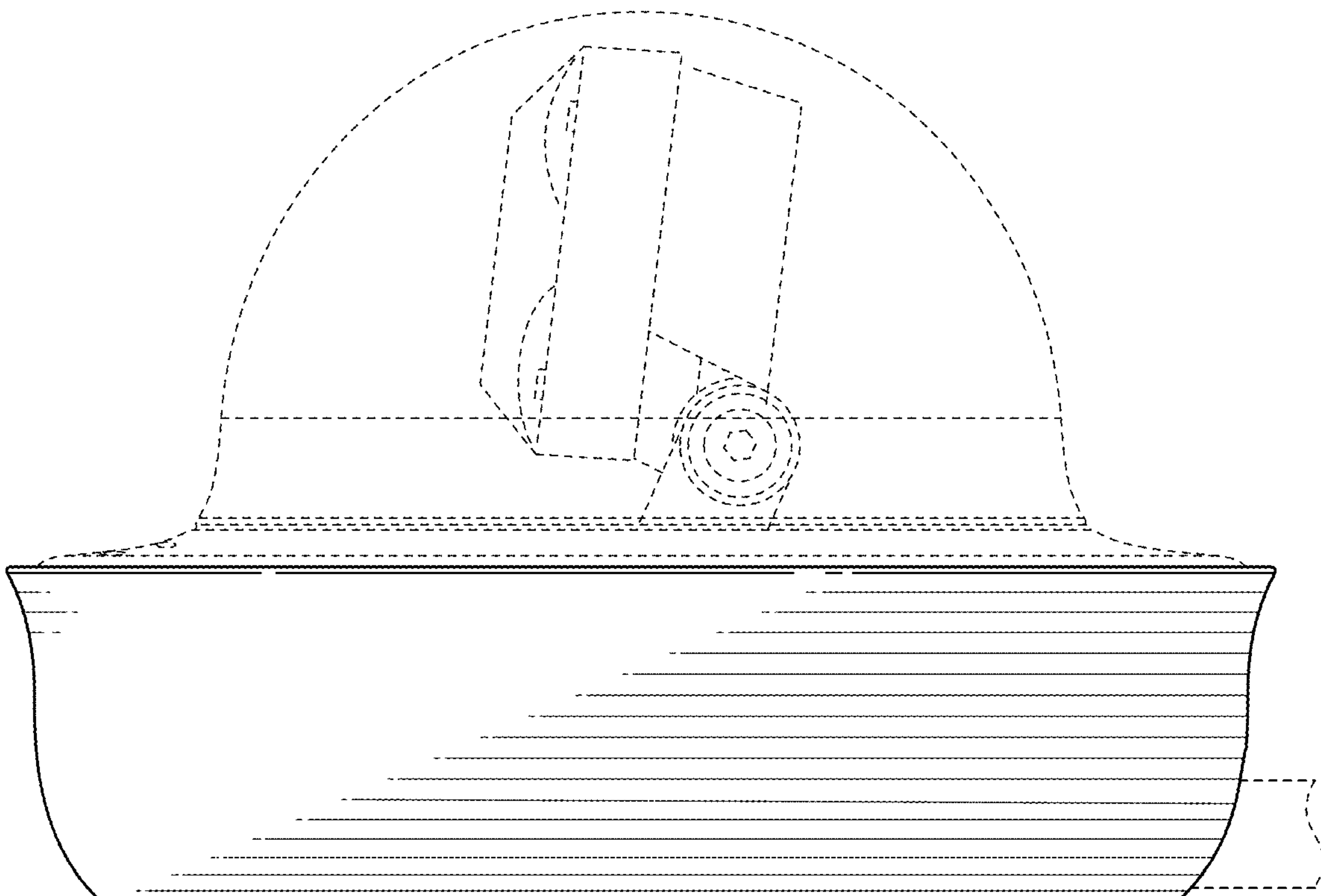


FIG. 5

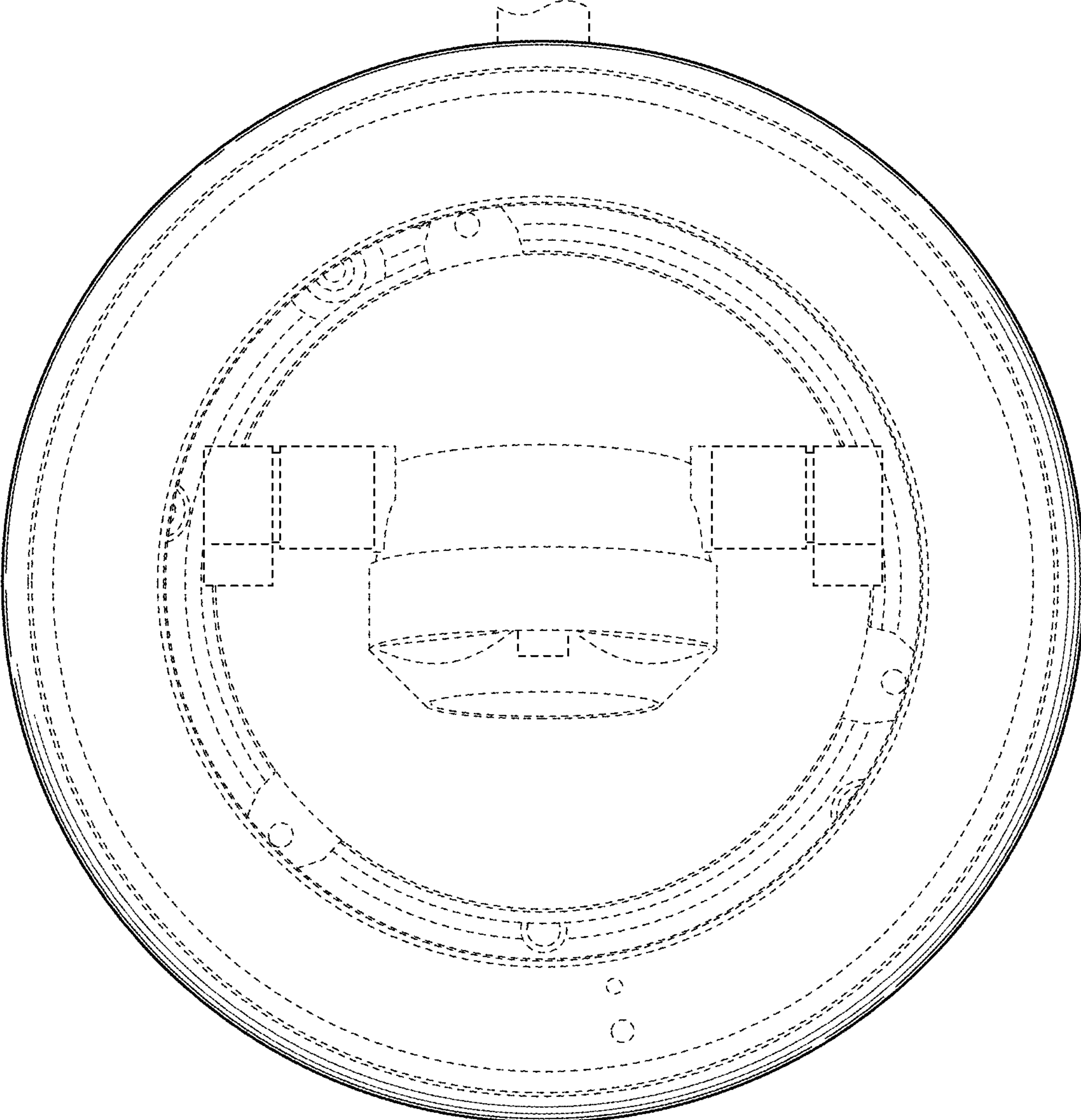


FIG. 6

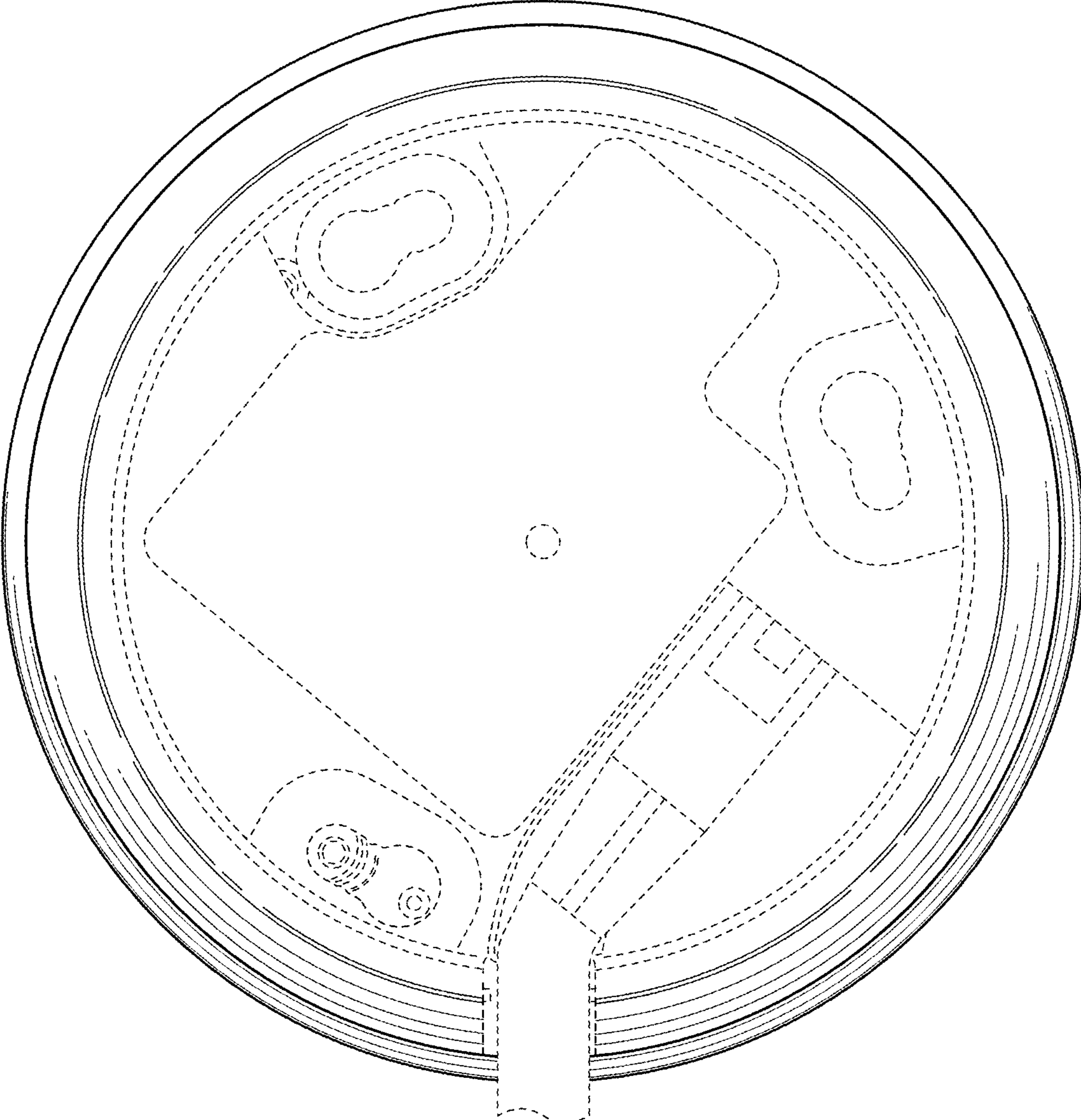


FIG. 7

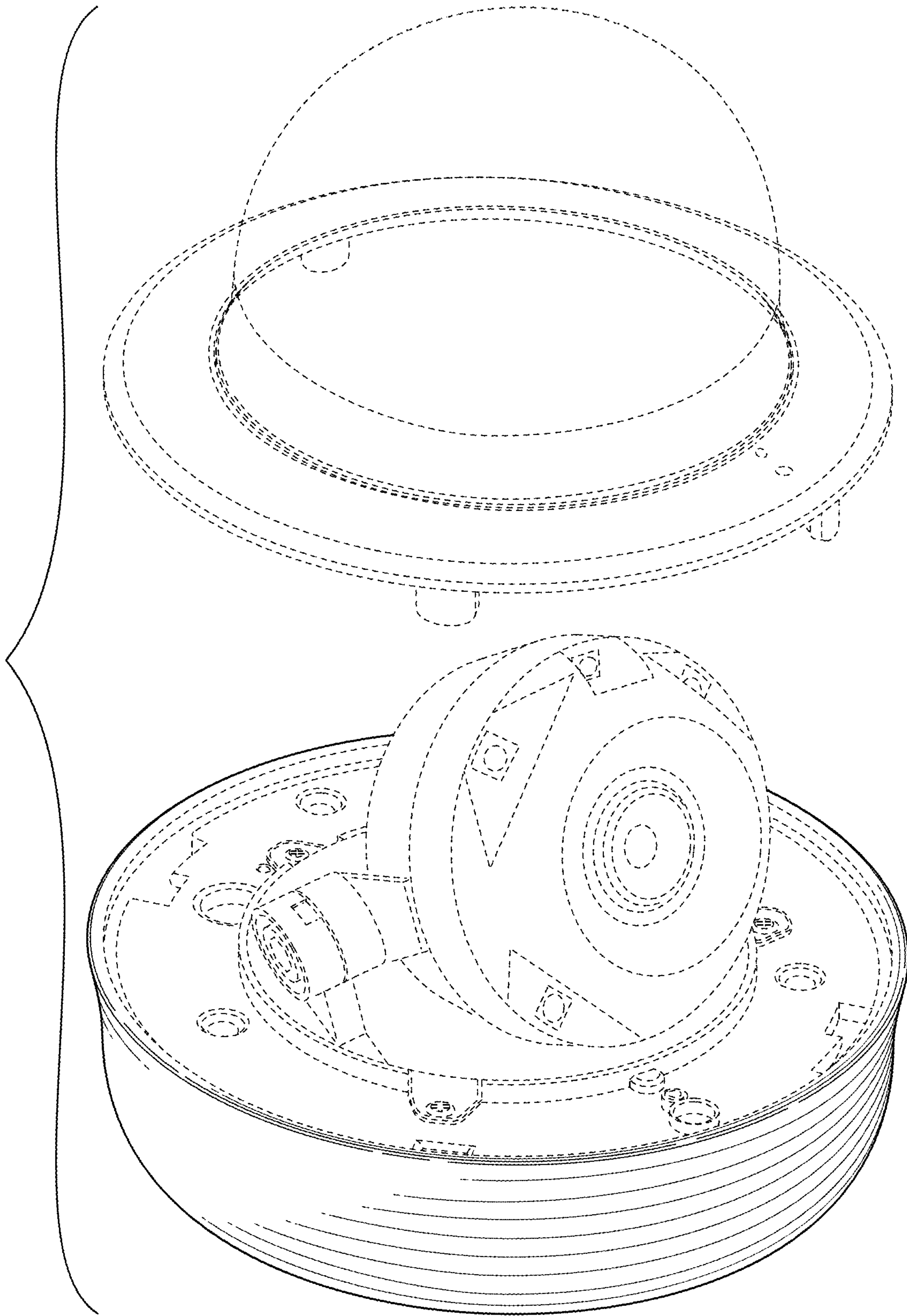


FIG. 8

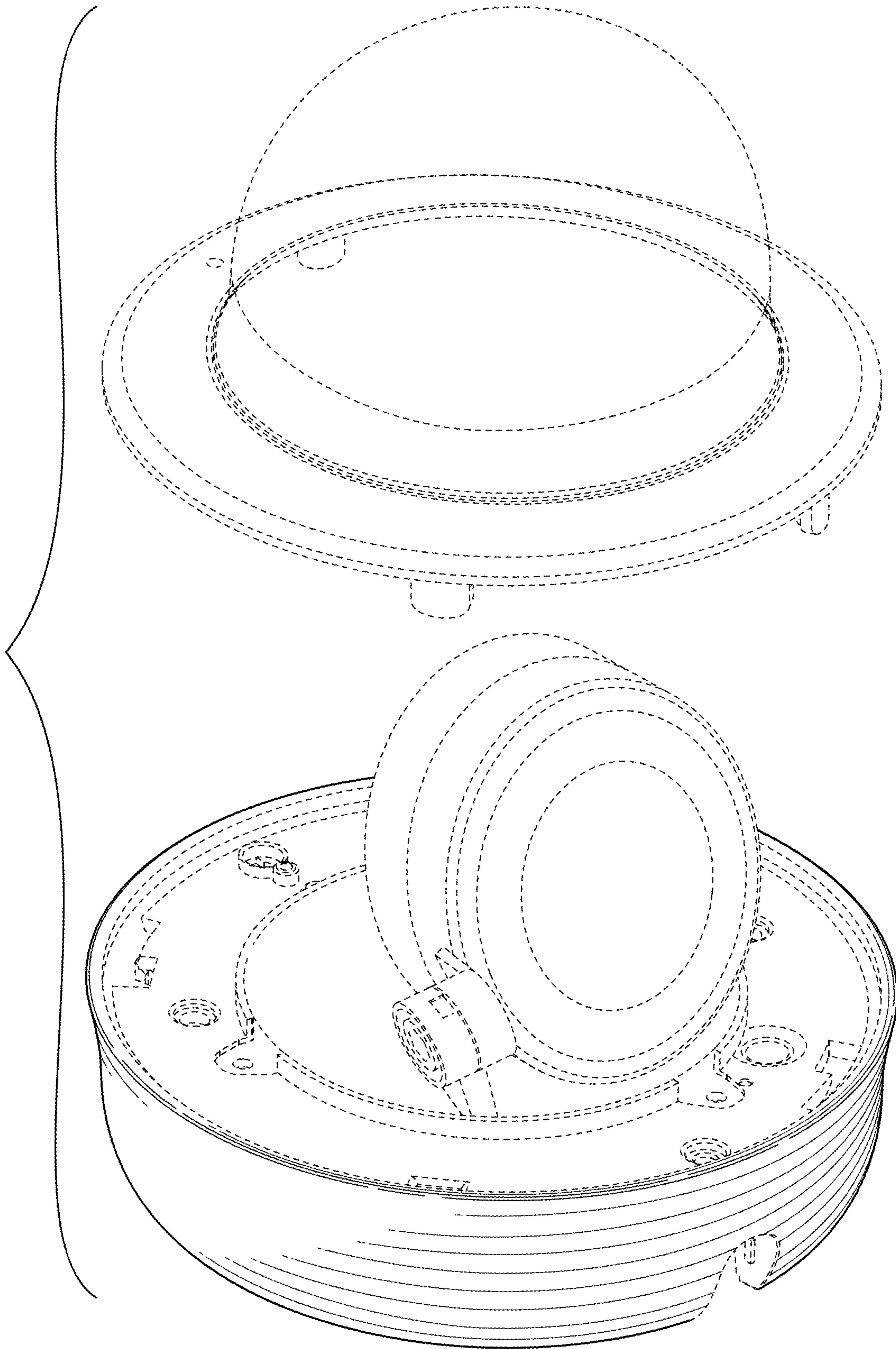


FIG. 9