



US00D904482S

(12) **United States Design Patent**  
**Hoffman et al.**

(10) **Patent No.:** **US D904,482 S**  
(45) **Date of Patent:** **\*\* Dec. 8, 2020**

- (54) **CAMERA**
- (71) Applicant: **FLIR Systems AB**, Täby (SE)
- (72) Inventors: **Anton Hoffman**, Taby (SE); **Jonathan Richardson**, Taby (SE); **Christian Hogstedt**, Taby (SE)
- (73) Assignee: **FLIR SYSTEMS AB**, Täby (SE)
- (\*\*) Term: **15 Years**
- (21) Appl. No.: **29/706,390**
- (22) Filed: **Sep. 19, 2019**
- (51) **LOC (12) Cl.** ..... **16-01**
- (52) **U.S. Cl.**  
USPC ..... **D16/202**
- (58) **Field of Classification Search**  
USPC ..... D16/200, 202–206, 208–209, 212, 218,  
D16/219; 348/373–376; 396/448, 535,  
396/539–541  
CPC ..... G03B 15/03; G03B 17/02; G03B 17/04;  
G03B 17/56; G03B 19/04; H04N 5/2251;  
H04N 5/2252; H04N 5/2253; H04N  
5/2254; H04N 2101/00  
See application file for complete search history.

- D707,742 S \* 6/2014 Imamizu ..... D16/202
  - D722,332 S \* 2/2015 Kobayashi ..... D16/202
  - D724,640 S 3/2015 Ikegame
  - D734,803 S 7/2015 Hällgren
  - D753,749 S \* 4/2016 Zhu ..... D16/202
- (Continued)

**OTHER PUBLICATIONS**

FLIR C2 Compact Thermal Camera, 2019 FLIR System, Inc., [Retrieved from Internet], 12 pages, Nov. 7, 2019, URL: <https://www.flir.com/products/c2/?creative=249947071121&keyword=flir%20camera&matchtype=e&network=g&device=c&gclid=CjwKCAjwzJjrBRBvEiwA867byuAjZ90U5KE9JuoDjS5IPpINH\_8f7rpS5s1zrmkNSkG9dBSyMwy1xoCfQIQAvD\_BwE >.

(Continued)

*Primary Examiner* — Ramzi S Almatrahi

(74) *Attorney, Agent, or Firm* — Haynes and Boone, LLP

(57) **CLAIM**

The ornamental design for a camera, as shown and described.

**DESCRIPTION**

FIG. 1 is a front, left, and top perspective view of a camera embodying the new design; FIG. 2 is a rear, right, and bottom perspective view thereof; FIG. 3 is a rear, left, and top perspective view thereof; FIG. 4 is a front elevational view thereof; FIG. 5 is a rear elevational view thereof; FIG. 6 is a right side elevational view thereof; FIG. 7 is a left side elevational view thereof; FIG. 8 is a top plan view thereof; and, FIG. 9 is a bottom plan view thereof.

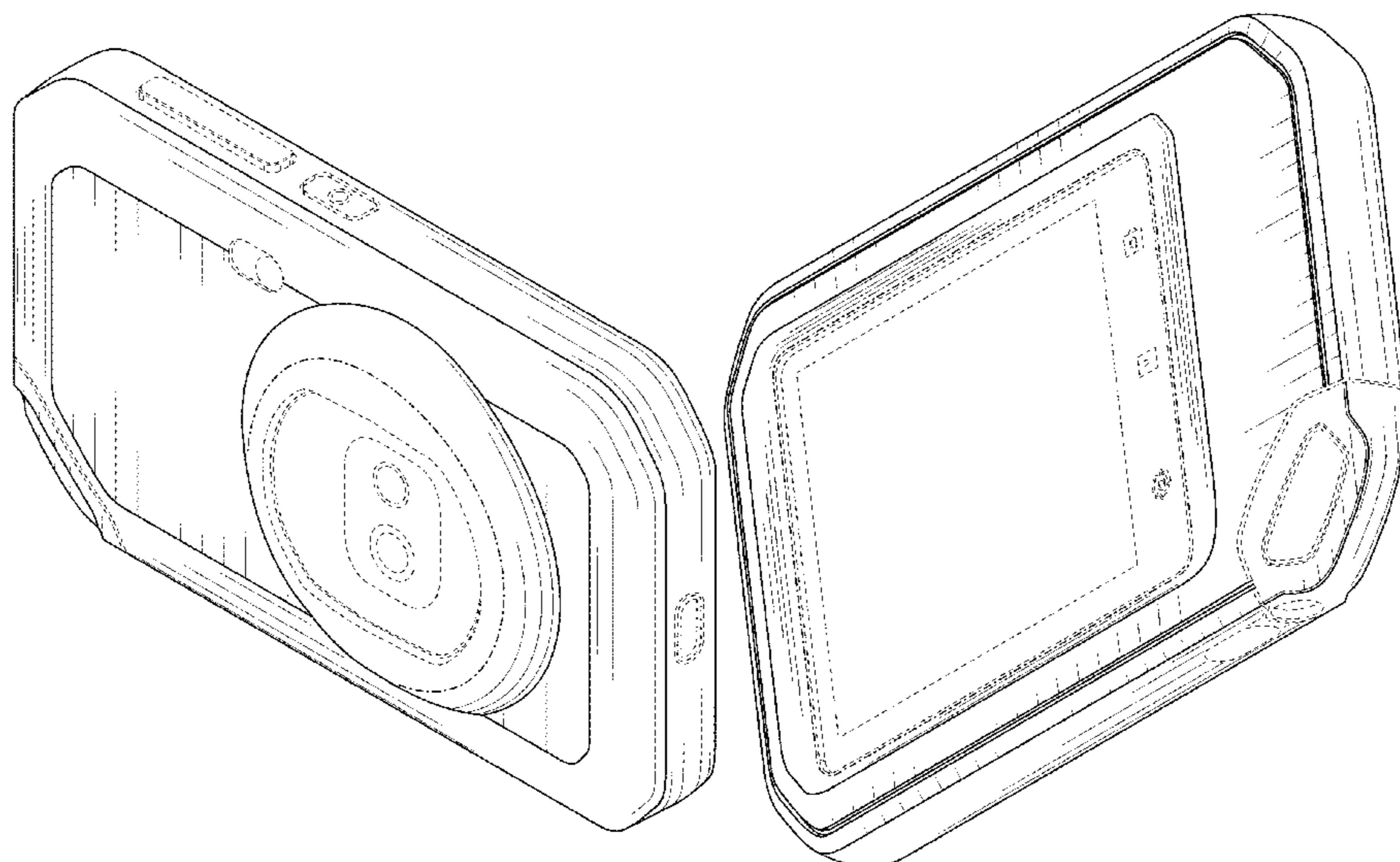
The broken lines depict portions of the camera in which the design is embodied that form no part of the claimed design. Additionally, the dot-dash lines denote the boundary of the claim and form no part of the claimed design.

**1 Claim, 5 Drawing Sheets**

(56) **References Cited**

**U.S. PATENT DOCUMENTS**

- D540,362 S 4/2007 Yamagishi
- D585,083 S 1/2009 Nakajima
- D601,604 S \* 10/2009 Kim ..... D16/202
- D605,675 S 12/2009 Sakaguchi et al.
- D639,838 S 6/2011 Imai
- D648,765 S 11/2011 Tsukamoto
- D661,330 S 6/2012 Yu et al.
- D665,003 S 8/2012 Sakai
- D669,516 S 10/2012 Nakamura
- 8,537,275 B2 9/2013 Odagaki
- D694,303 S \* 11/2013 Ham ..... D16/202
- D696,326 S 12/2013 Sato
- D706,851 S 6/2014 Sakai



(56)

**References Cited**

U.S. PATENT DOCUMENTS

D826,308 S \* 8/2018 Tremblay ..... D16/219  
D884,055 S \* 5/2020 Jeong ..... D16/208  
2011/0097070 A1 4/2011 Kurokawa et al.

OTHER PUBLICATIONS

FLIR C3 Compact Thermal Camera with WI-FI, 2019 FLIR System, Inc., [Retrieved from Internet], 12 pages, Nov. 7, 2019, URL: <<https://www.flir.com/products/c3/>>.

\* cited by examiner

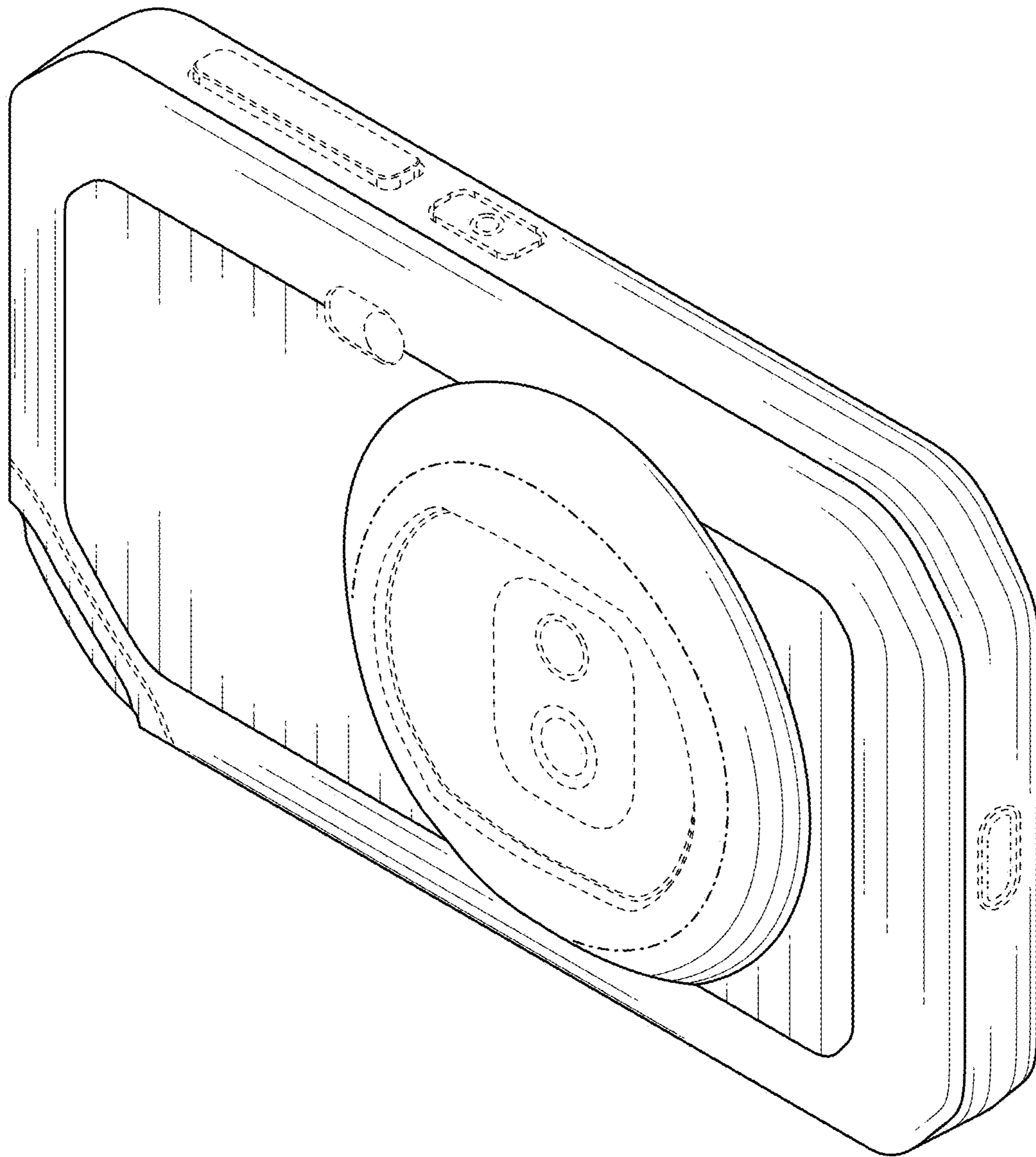


FIG. 1



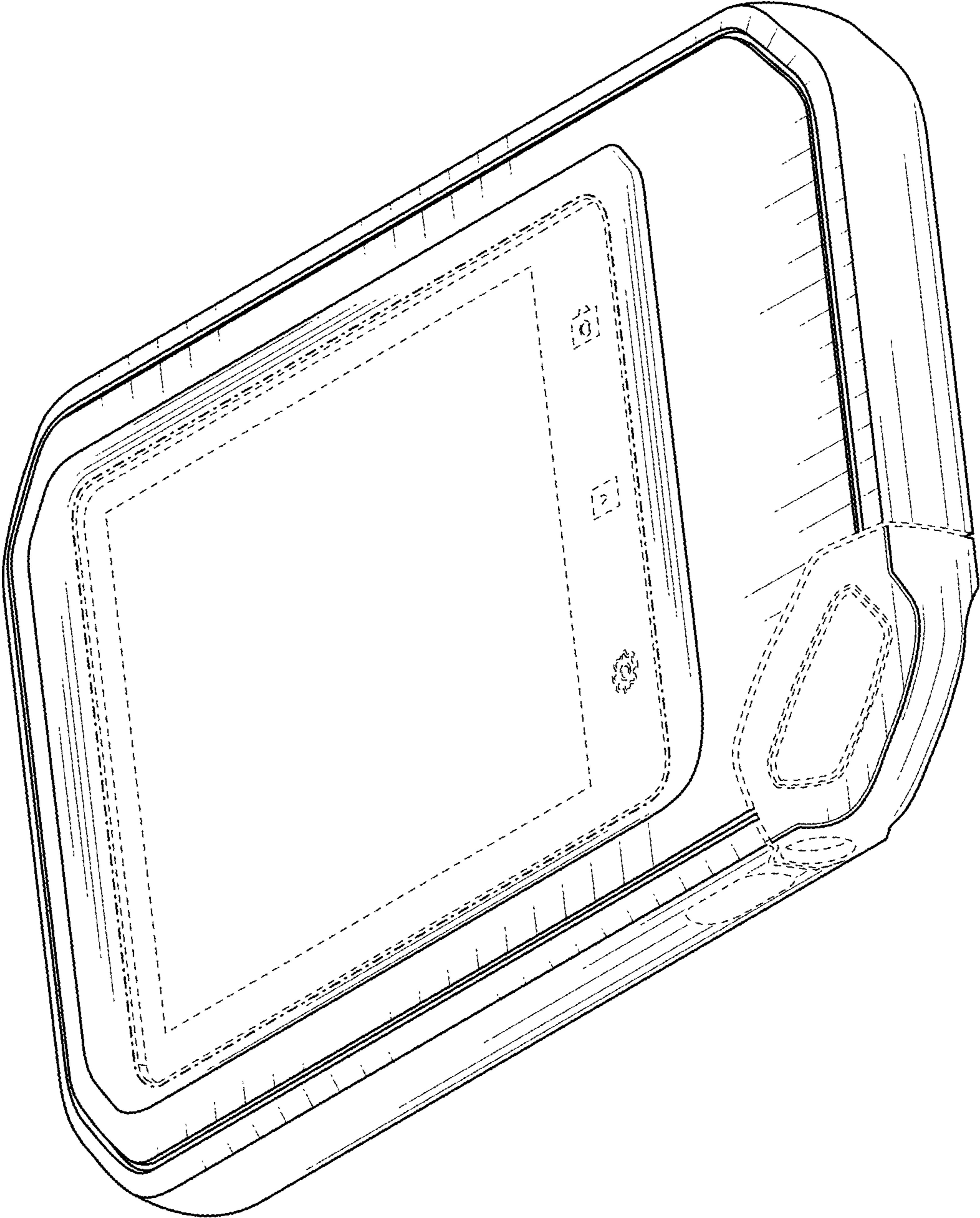


FIG. 2

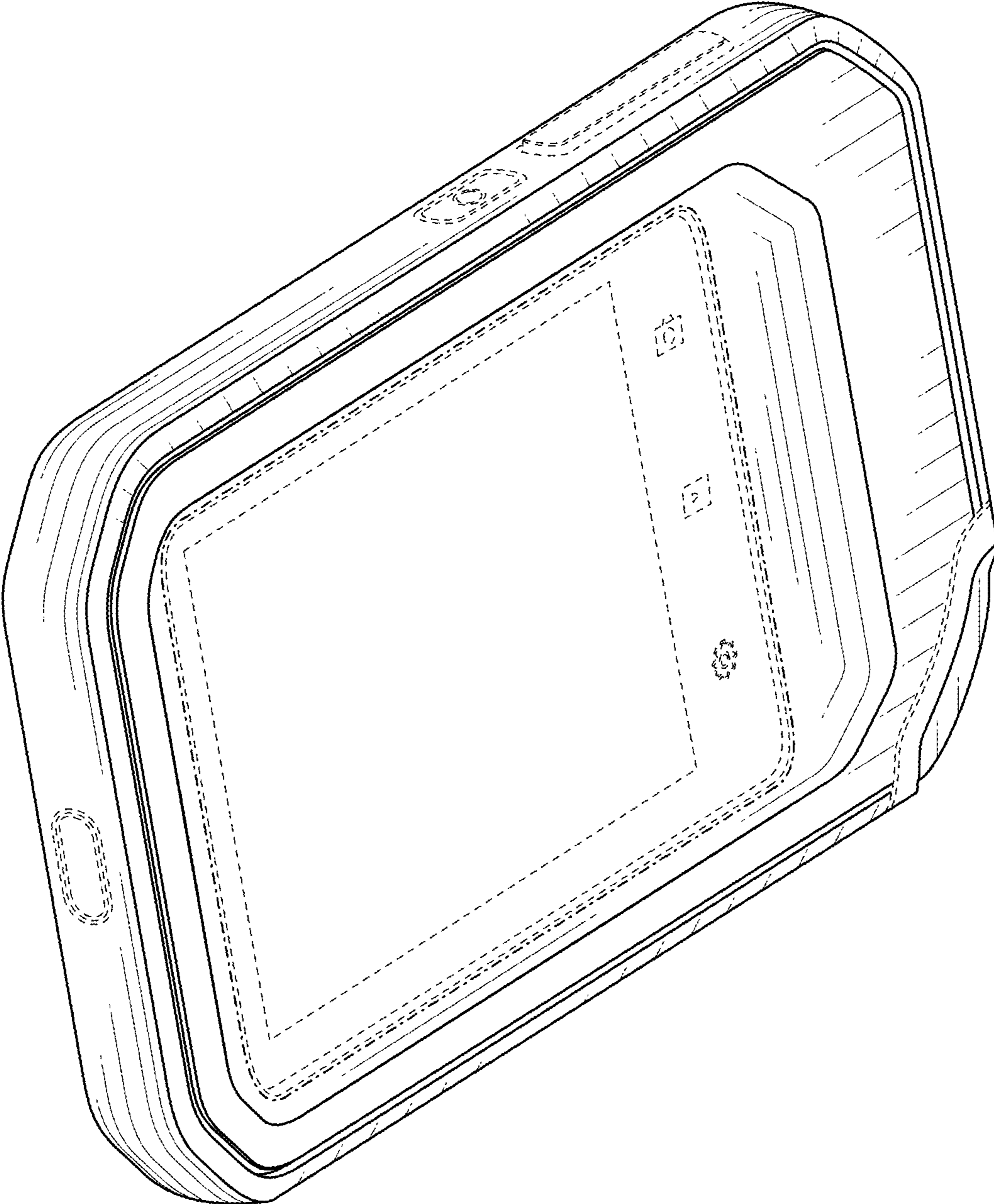


FIG. 3

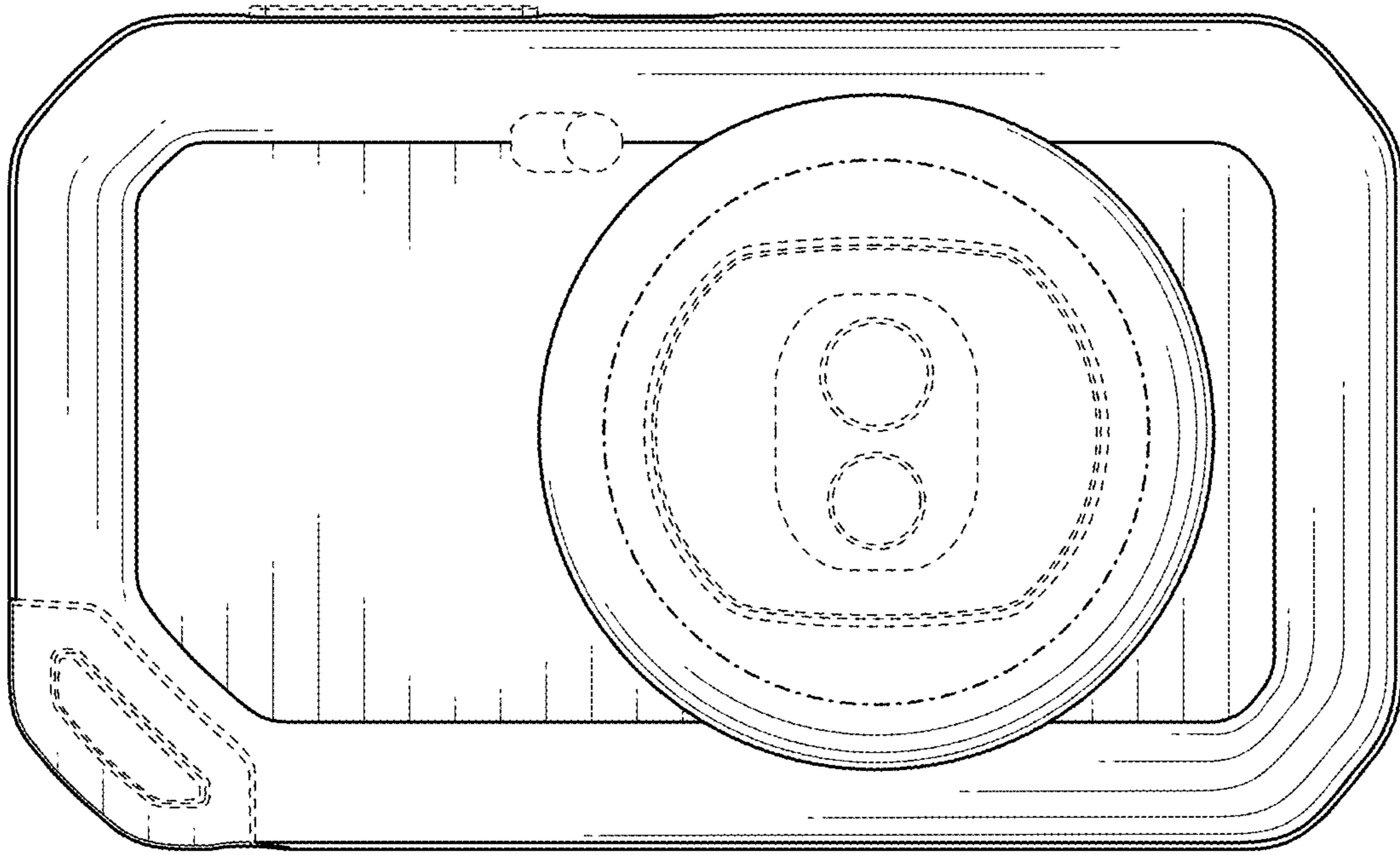


FIG. 4

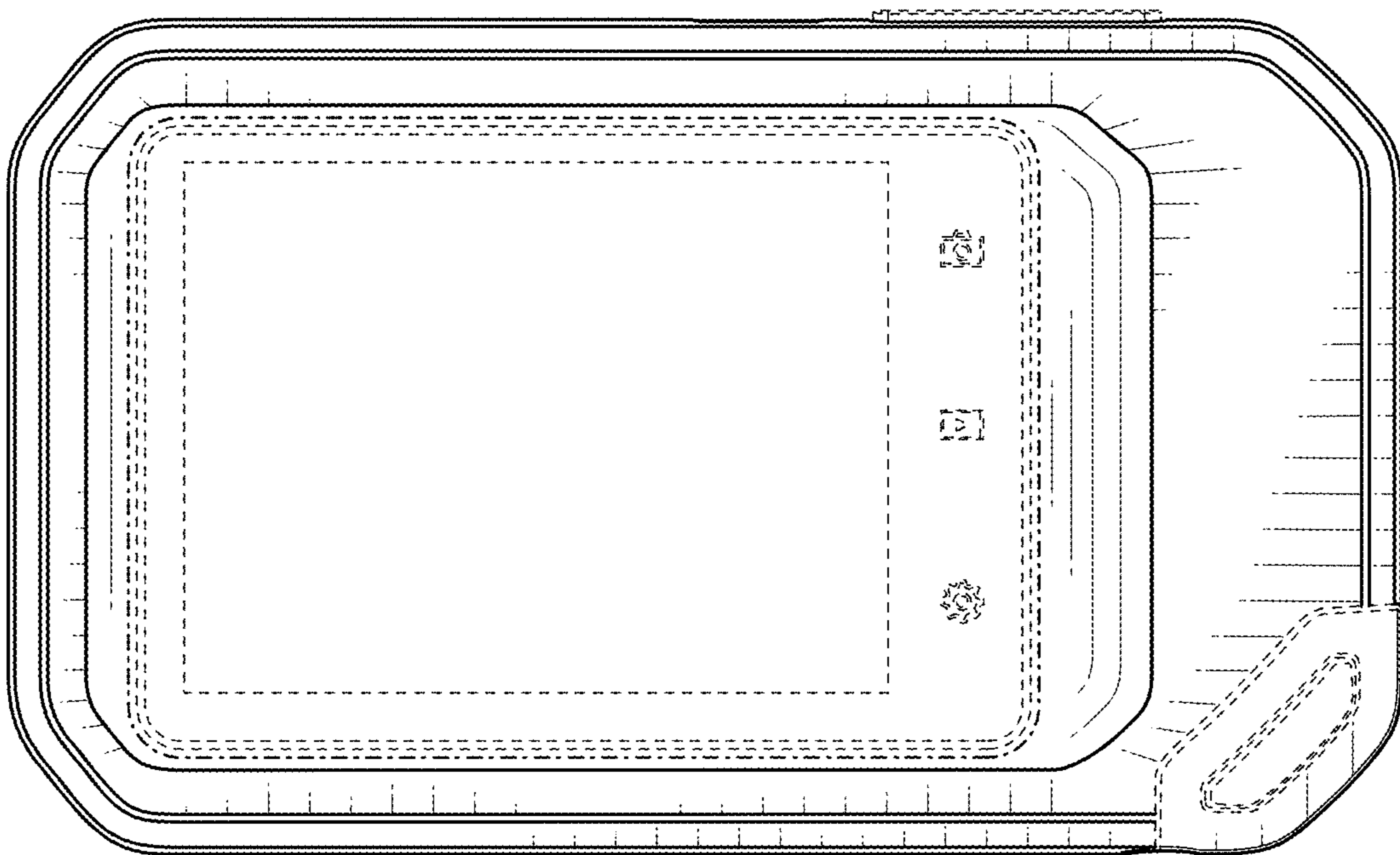


FIG. 5

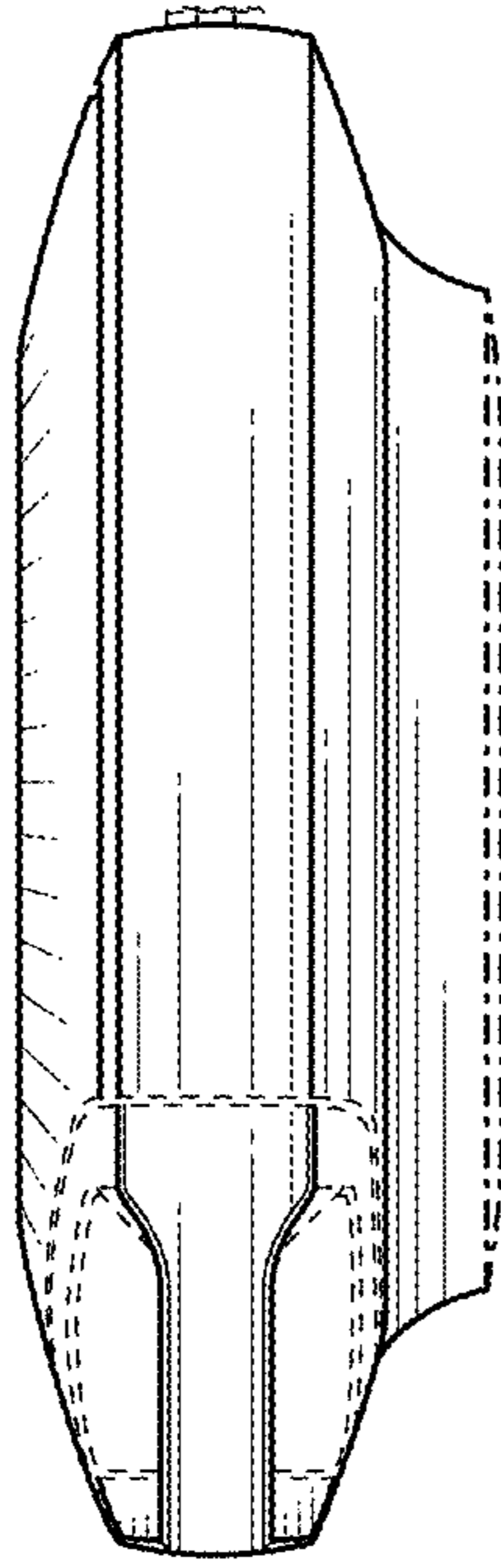


FIG. 6

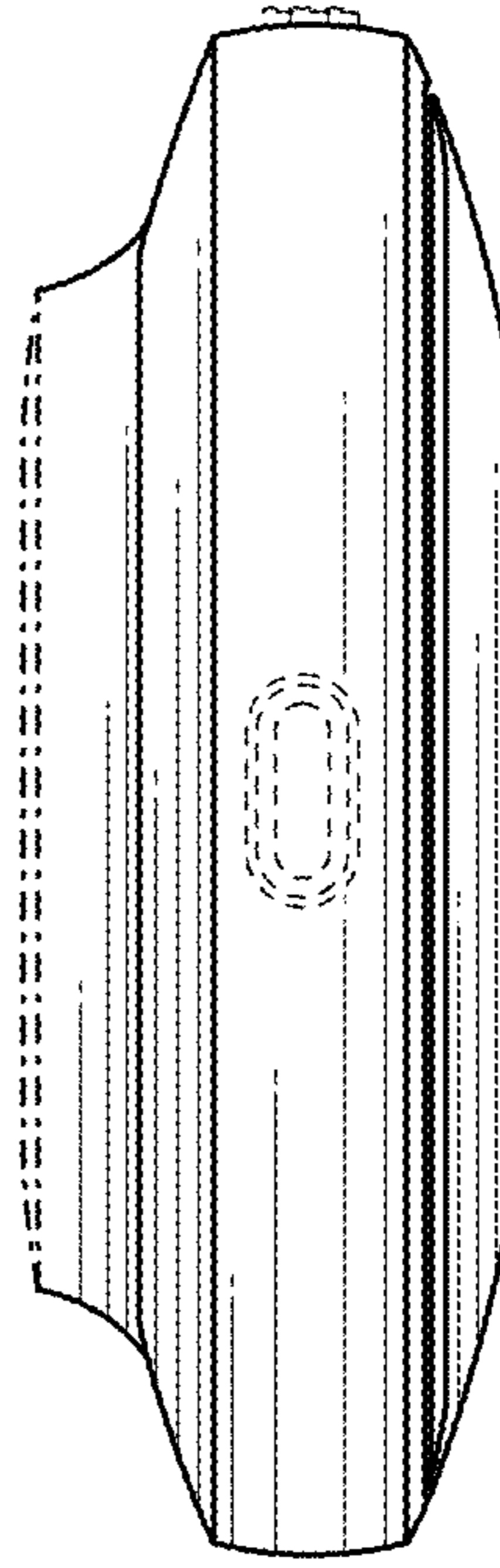


FIG. 7

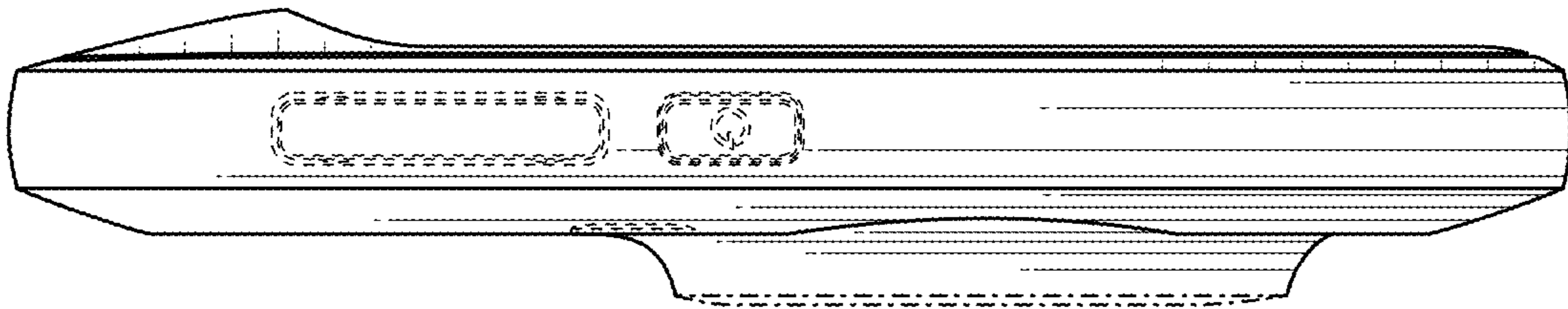


FIG. 8

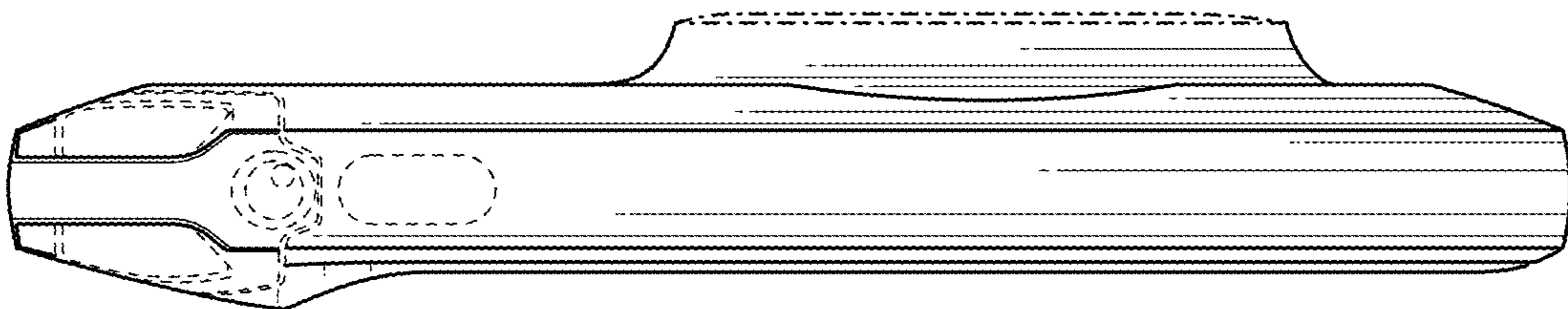


FIG. 9