



US00D904480S

(12) **United States Design Patent** (10) **Patent No.:** **US D904,480 S**  
**Vanková et al.** (45) **Date of Patent:** **\*\* Dec. 8, 2020**

(54) **BINOCULAR**

*Primary Examiner* — Jeffrey D Asch

(71) Applicant: **MEOPTA-OPTIKA, S. R. O.**, Prerov (CZ)

(74) *Attorney, Agent, or Firm* — Schmeiser, Olsen & Watts, LLP

(72) Inventors: **Jana Vanková**, Prerov (CZ); **Jakub Verner**, Rymice (CZ)

(57) **CLAIM**

(73) Assignee: **MEOPTA-OPTIKA, S.R.O.**, Prerov (CZ)

The ornamental design for a binocular, as shown and described.

(\*\*) Term: **15 Years**

(21) Appl. No.: **35/505,276**

**DESCRIPTION**

(22) Filed: **Jan. 4, 2018**

The patent or application file contains at least one drawing executed in color. Copies of this patent or patent application publication with color drawing(s) will be provided by the Office upon request and payment of the necessary fee.

(80) **Hague Agreement Data**

Int. Filing Date: **Jan. 4, 2018**

Int. Reg. No.: **DM/101209**

Int. Reg. Date: **Jan. 4, 2018**

Int. Reg. Pub. Date: **Jul. 13, 2018**

1. Binocular

Figure 1.1 is a top right side view of a binocular without lens caps affixed thereto;

Figure 1.2 a top left side view thereof showing lens caps affixed thereto;

Figure 1.3 is a bottom perspective view thereof without lens caps affixed thereto;

Figure 1.4 is a top perspective view thereof showing lens caps affixed thereto;

Figure 1.5 is a top view thereof without lens caps affixed thereto;

Figure 1.6 is a bottom view thereof without lens caps affixed thereto;

Figure 1.7 is a front view thereof without lens caps affixed thereto;

Figure 1.8 is a rear view thereof without lens caps affixed thereto; and

Figure 1.9 is left side view thereof without lens caps affixed thereto.

Portions of the binocular shown by red coloring, including the lens caps, ocular lens surrounds, strap eyelet, and rear body-connecting hinge, are shown for the purpose of illustrating environmental structure and form no part of the claimed design.

(51) **LOC (12) Cl.** ..... **16-06**

(52) **U.S. Cl.**  
USPC ..... **D16/133**

(58) **Field of Classification Search**  
USPC ..... D16/130, 133, 136, 237  
CPC ..... G02B 23/00; G02B 23/18  
See application file for complete search history.

(56) **References Cited**

U.S. PATENT DOCUMENTS

D394,665 S *	5/1998	Akabane	.....	D16/133
D567,275 S *	4/2008	Hayamizu	.....	D16/133
D579,472 S *	10/2008	Yanagisawa	.....	D16/133
D590,855 S *	4/2009	Watanabe	.....	D16/133
D621,431 S *	8/2010	Holbi	.....	D16/133

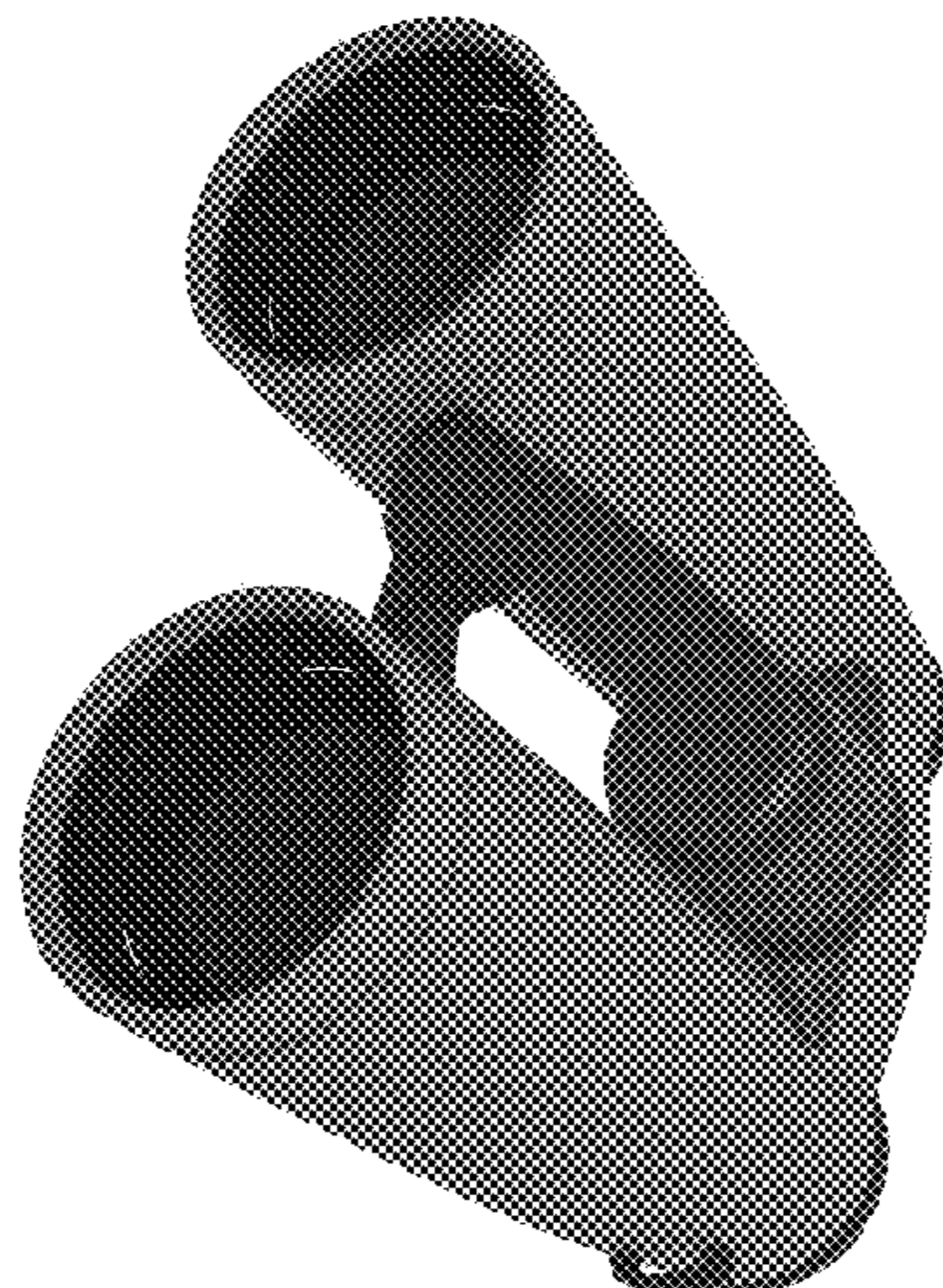
(Continued)

FOREIGN PATENT DOCUMENTS

CN	301403047	*	12/2010
JP	049676-002	*	1/2000

(Continued)

**1 Claim, 9 Drawing Sheets**  
**(9 of 9 Drawing Sheet(s) Filed in Color)**



(56)

**References Cited**

U.S. PATENT DOCUMENTS

D672,381	S	*	12/2012	Wunnicke	.....	D16/133
D681,709	S	*	5/2013	Radau	.....	D16/133
D684,202	S	*	6/2013	Radau	.....	D16/133
D693,867	S	*	11/2013	Radau	.....	D16/133
D713,437	S	*	9/2014	Soejima	.....	D16/133
D748,177	S	*	1/2016	Radau	.....	D16/133
D783,073	S	*	4/2017	Radau	.....	D16/133
D816,749	S	*	5/2018	Kung	.....	D16/133
D841,072	S	*	2/2019	Proll	.....	D16/133
2008/0278830	A1	*	11/2008	Burgess	.....	G02B 7/02 359/818
2015/0015944	A1	*	1/2015	Schmitt	.....	G02B 7/12 359/408
2016/0266371	A1	*	9/2016	Jahromi	.....	G02B 23/02
2017/0010436	A1	*	1/2017	Leitner	.....	G02B 7/06
2019/0257648	A1	*	8/2019	Lancaster	.....	G01C 3/04

FOREIGN PATENT DOCUMENTS

JP	1336368	*	7/2008
JP	1393748	*	8/2010
JP	305402826	*	10/2019

\* cited by examiner



FIG. 1.1

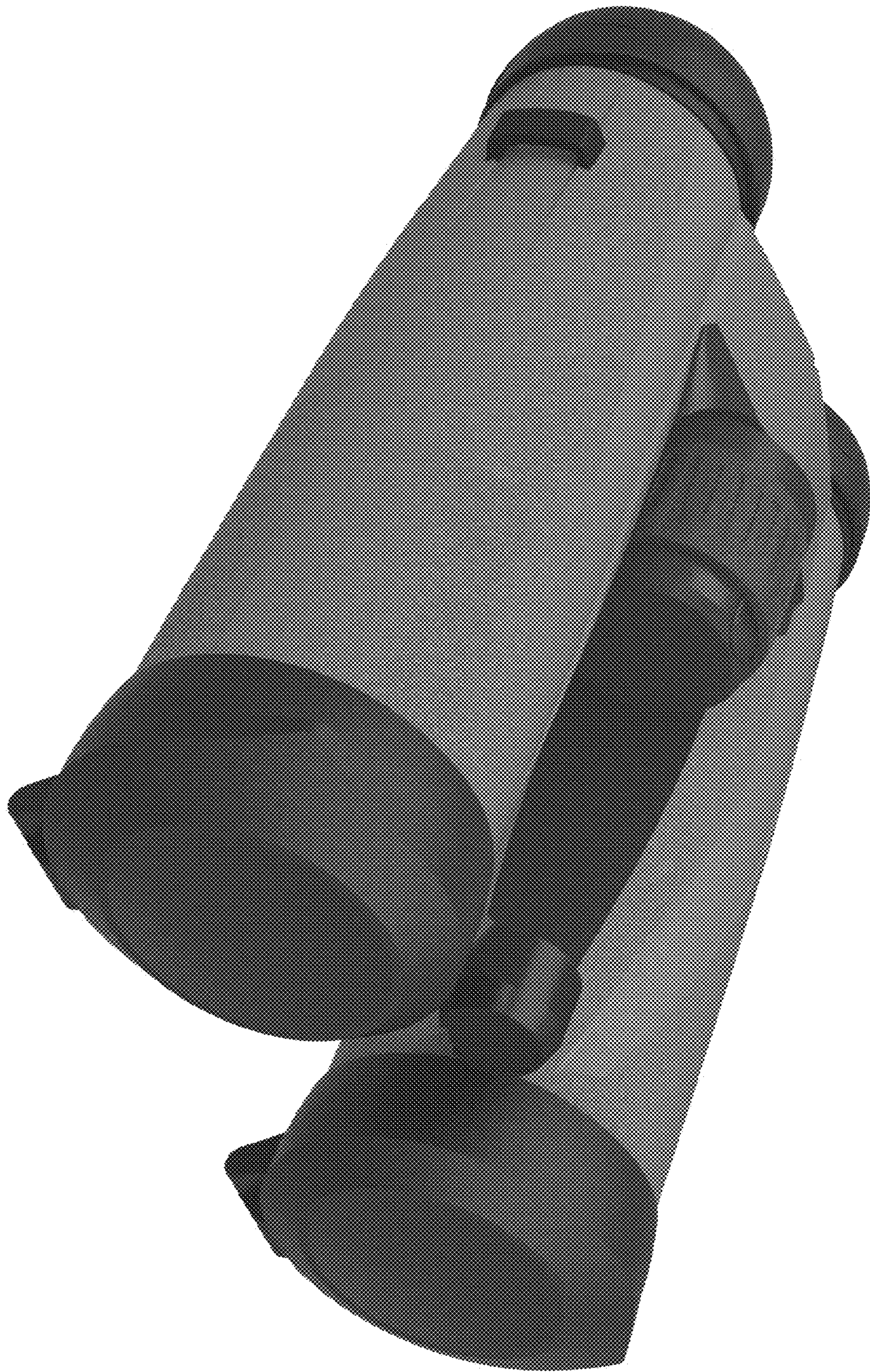


FIG. 1.2



FIG. 1.3

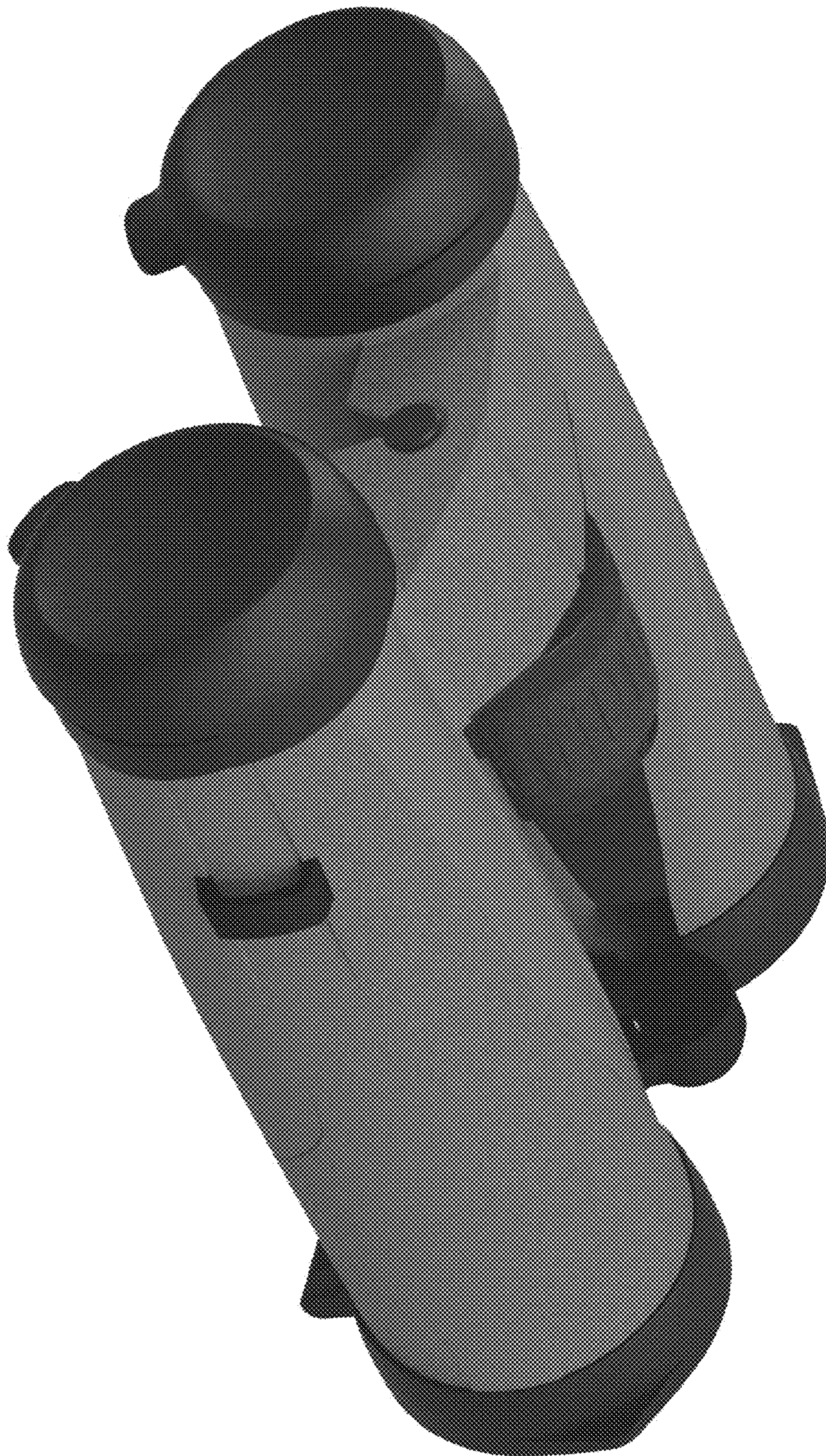


FIG. 1.4

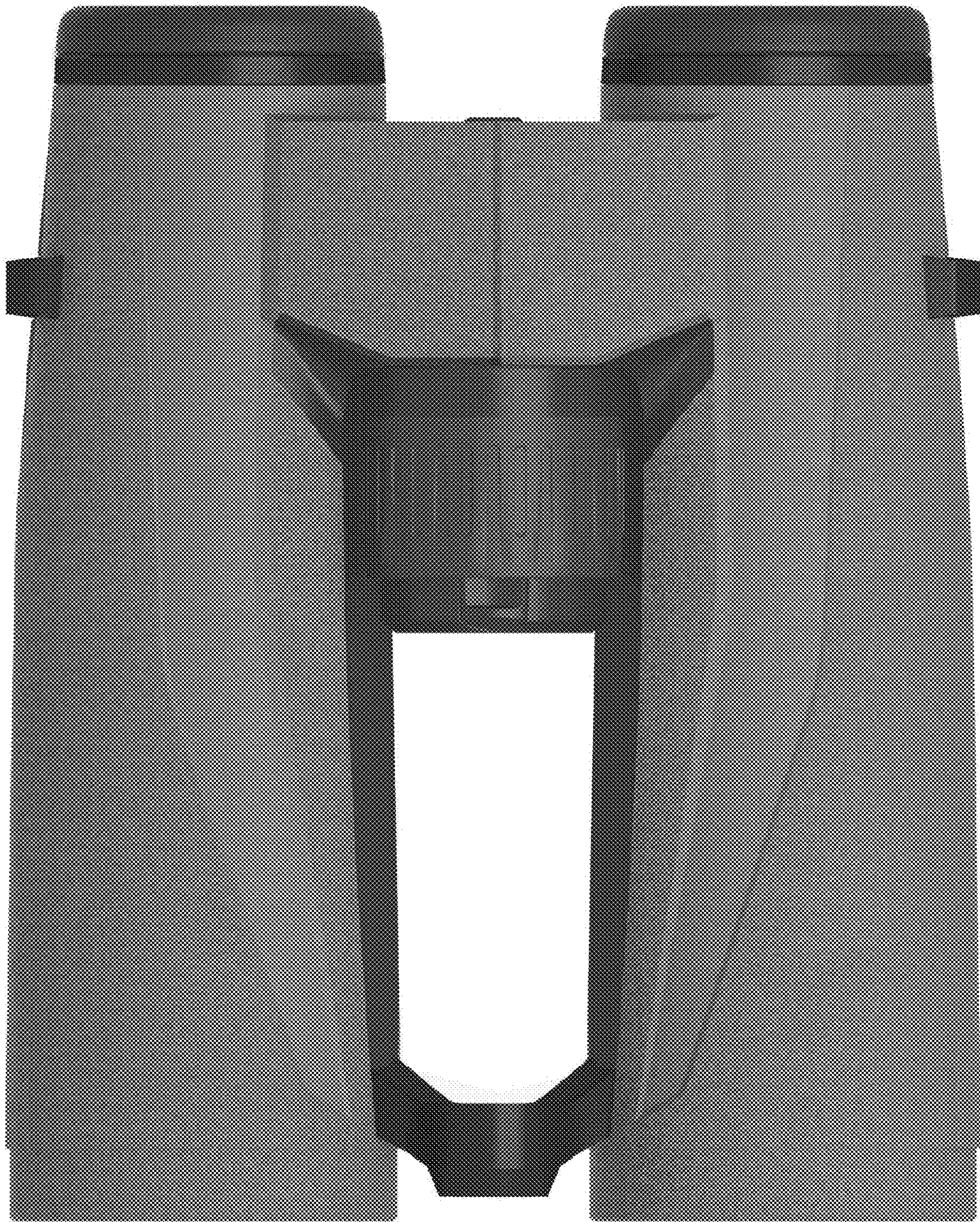


FIG. 1.5

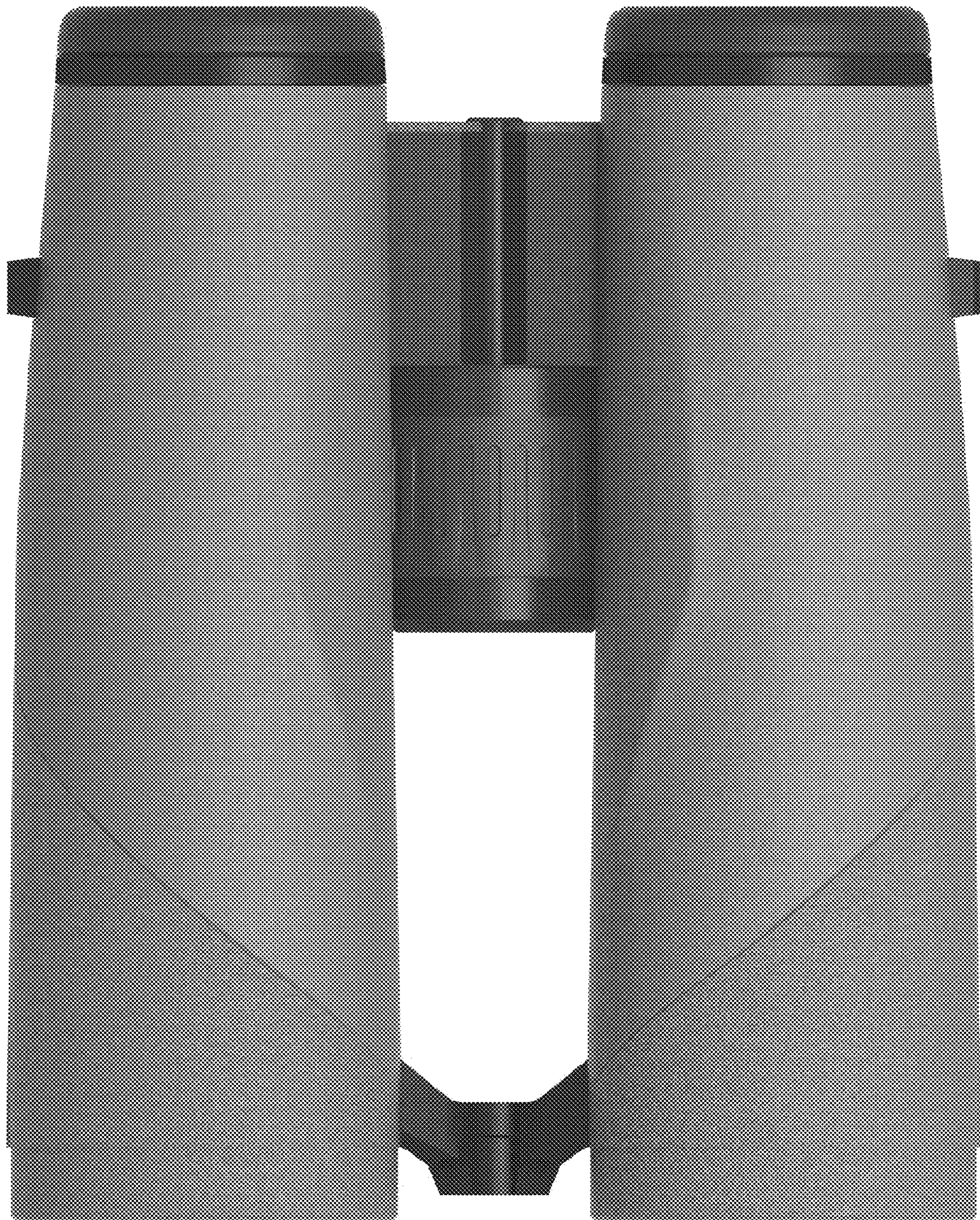


FIG. 1.6



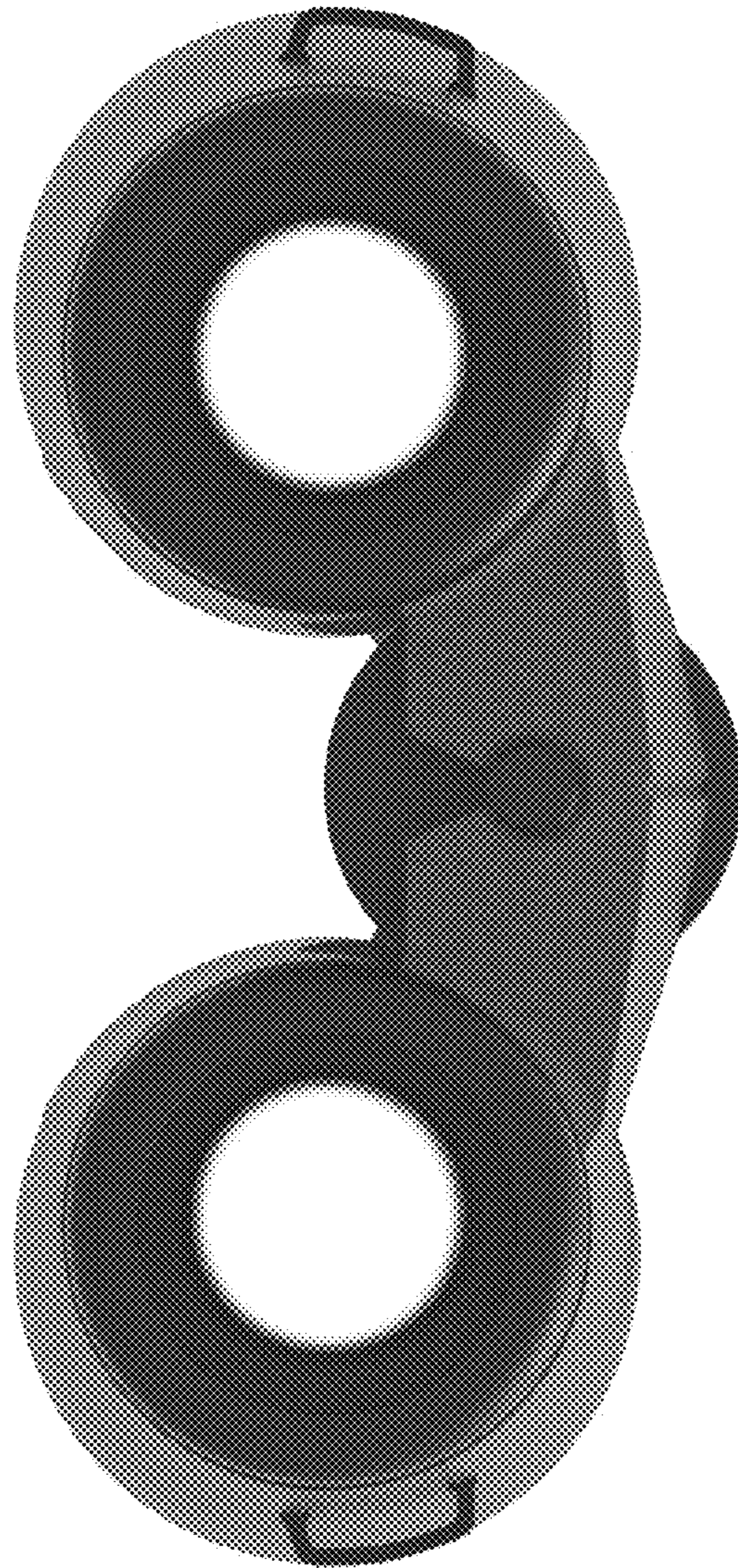


FIG. 1.7

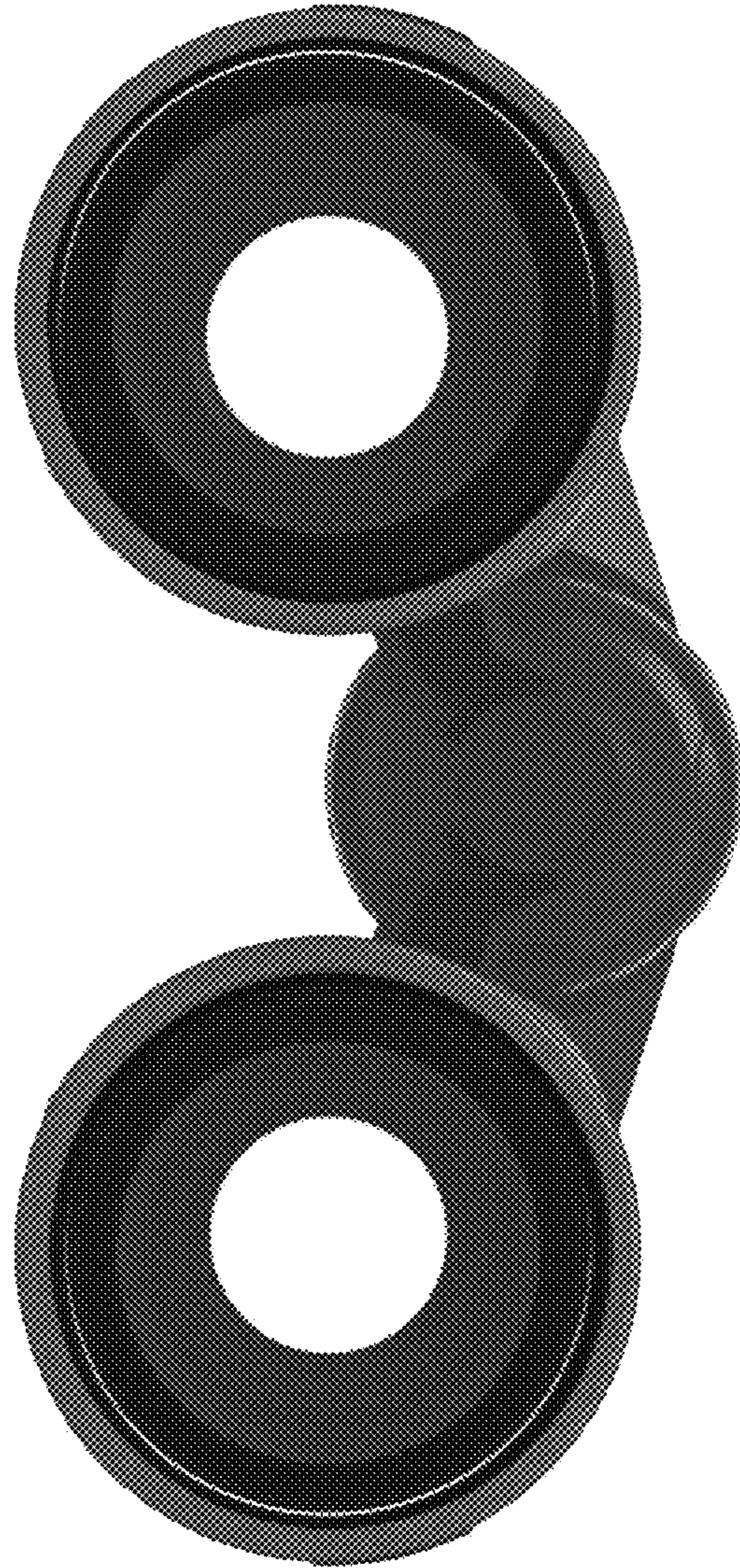


FIG. 1.8

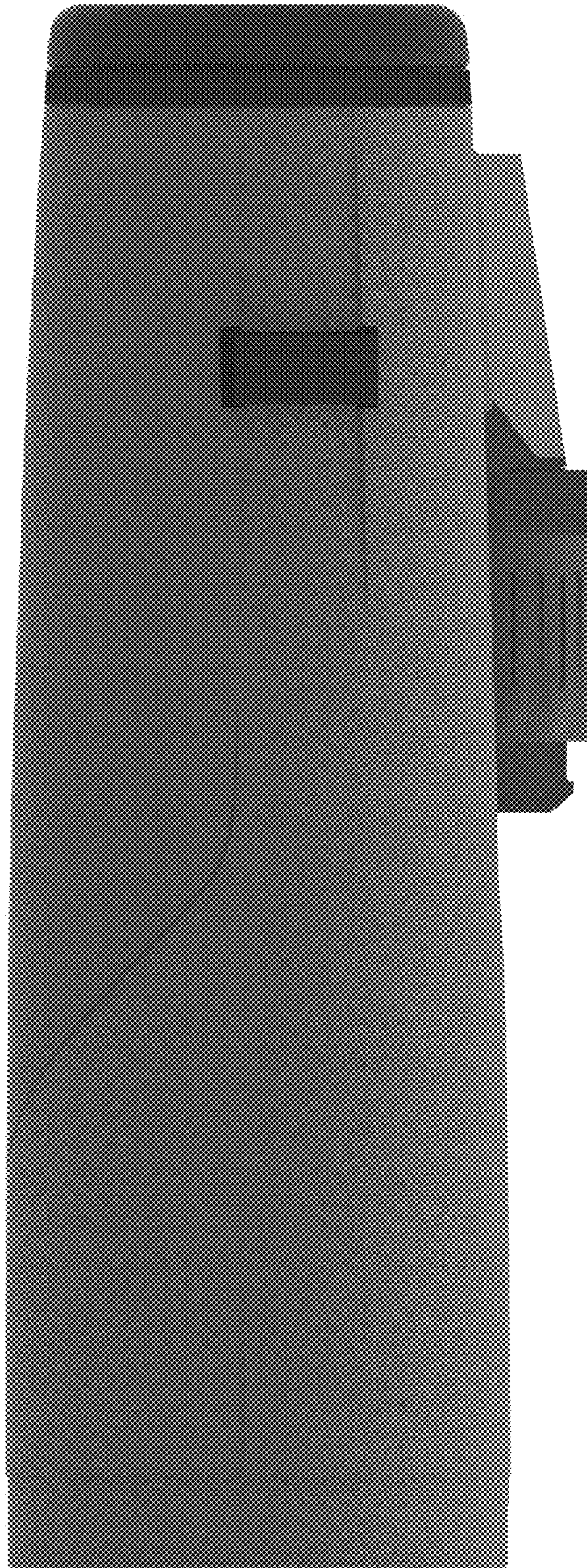


FIG. 1.9