



US00D904479S

(12) **United States Design Patent** (10) **Patent No.:** **US D904,479 S**  
**Hakoda et al.** (45) **Date of Patent:** **\*\* Dec. 8, 2020**

(54) **SURGICAL MICROSCOPE**

(56) **References Cited**

(71) Applicants: **SONY CORPORATION**, Tokyo (JP);  
**SONY OLYMPUS MEDICAL SOLUTIONS INC.**, Tokyo (JP)

U.S. PATENT DOCUMENTS

D120,877 S *	6/1940	Bailey et al. ....	D10/46
D148,124 S *	12/1947	Armbruster et al. ....	D16/131
D171,271 S *	1/1954	Trossi .....	D16/131
3,205,770 A *	9/1965	Koch .....	G02B 21/364
			353/39
3,637,283 A *	1/1972	Tasaki .....	G02B 21/22
			359/376
D345,748 S *	4/1994	Holbl .....	D16/131
D507,006 S *	7/2005	Apotheloz .....	D16/131
D516,595 S *	3/2006	Apotheloz .....	D16/131
D518,841 S *	4/2006	Apotheloz .....	D16/131
D608,810 S *	1/2010	Stoiakine .....	D16/131

(72) Inventors: **Katsuhisa Hakoda**, Kanagawa (JP);  
**Hisayoshi Otaki**, Tokyo (JP)

(73) Assignees: **SONY CORPORATION**, Tokyo (JP);  
**SONY OLYMPUS MEDICAL SOLUTIONS INC.**, Tokyo (JP)

(\*\*) Term: **15 Years**

(Continued)

(21) Appl. No.: **29/622,997**

*Primary Examiner* — Holly E Thurman

(22) Filed: **Oct. 20, 2017**

(74) *Attorney, Agent, or Firm* — Michael Best & Friedrich LLP

**Related U.S. Application Data**

(63) Continuation-in-part of application No. 29/619,611,  
filed on Sep. 29, 2017, now Pat. No. Des. 846,013.

(57) **CLAIM**

The ornamental design for a surgical microscope, as shown and described.

(30) **Foreign Application Priority Data**

Mar. 30, 2017	(JP)	.....	D2017-006738
Apr. 21, 2017	(JP)	.....	D2017-008610
Apr. 21, 2017	(JP)	.....	D2017-008611
Apr. 21, 2017	(JP)	.....	D2017-008612
Apr. 21, 2017	(JP)	.....	D2017-008613
May 15, 2017	(JP)	.....	D2017-010326

**DESCRIPTION**

FIG. 1 is a perspective view of a surgical microscope showing our new design;  
FIG. 2 is a front elevational view thereof;  
FIG. 3 is a right side elevational view thereof;  
FIG. 4 is a left side elevational view thereof; and  
FIG. 5 is a top plan view thereof.  
FIG. 6 is a partially enlarged perspective view thereof along the lines 6-6 and 6'-6' of FIG. 3; and,  
FIG. 7 is a partially enlarged top plan view thereof along the lines 7-7 and 7'-7' of FIG. 5.

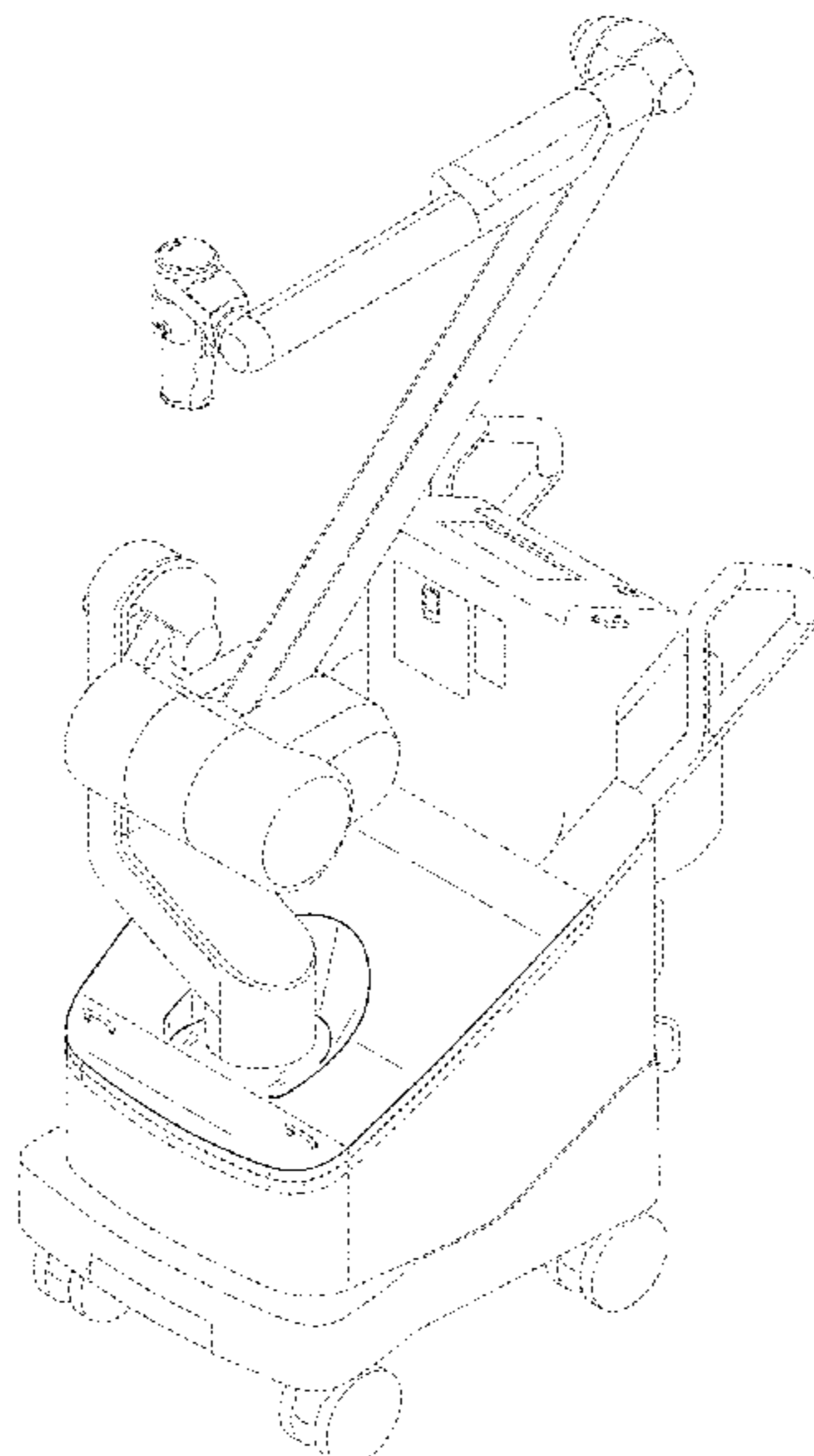
(51) **LOC (12) Cl.** ..... **16-06**

(52) **U.S. Cl.**  
USPC ..... **D16/131**

The even-dash broken lines showing portions of the surgical microscope are unclaimed portions thereof and form no part of the claimed design. The dot-dash broken lines defining the boundaries of the claimed design form no part of the claimed design.

(58) **Field of Classification Search**  
USPC ..... D16/130-136; D24/107, 128, 137, 138,  
D24/185, 186, 232, 234  
CPC . G02B 21/004; G02B 21/008; G02B 21/0088  
See application file for complete search history.

**1 Claim, 7 Drawing Sheets**



(56)

**References Cited**

U.S. PATENT DOCUMENTS

D673,199 S	*	12/2012	Muraki	.....	D16/131
D738,415 S	*	9/2015	Hofmann	.....	D16/131
D743,463 S	*	11/2015	Hofmann	.....	D16/131
D819,104 S	*	5/2018	Stohr	.....	D16/131
D849,816 S	*	5/2019	Klein	.....	D16/131
D859,487 S	*	9/2019	Chen	.....	D16/131
D866,630 S	*	11/2019	Chen	.....	D16/131

\* cited by examiner

FIG.1

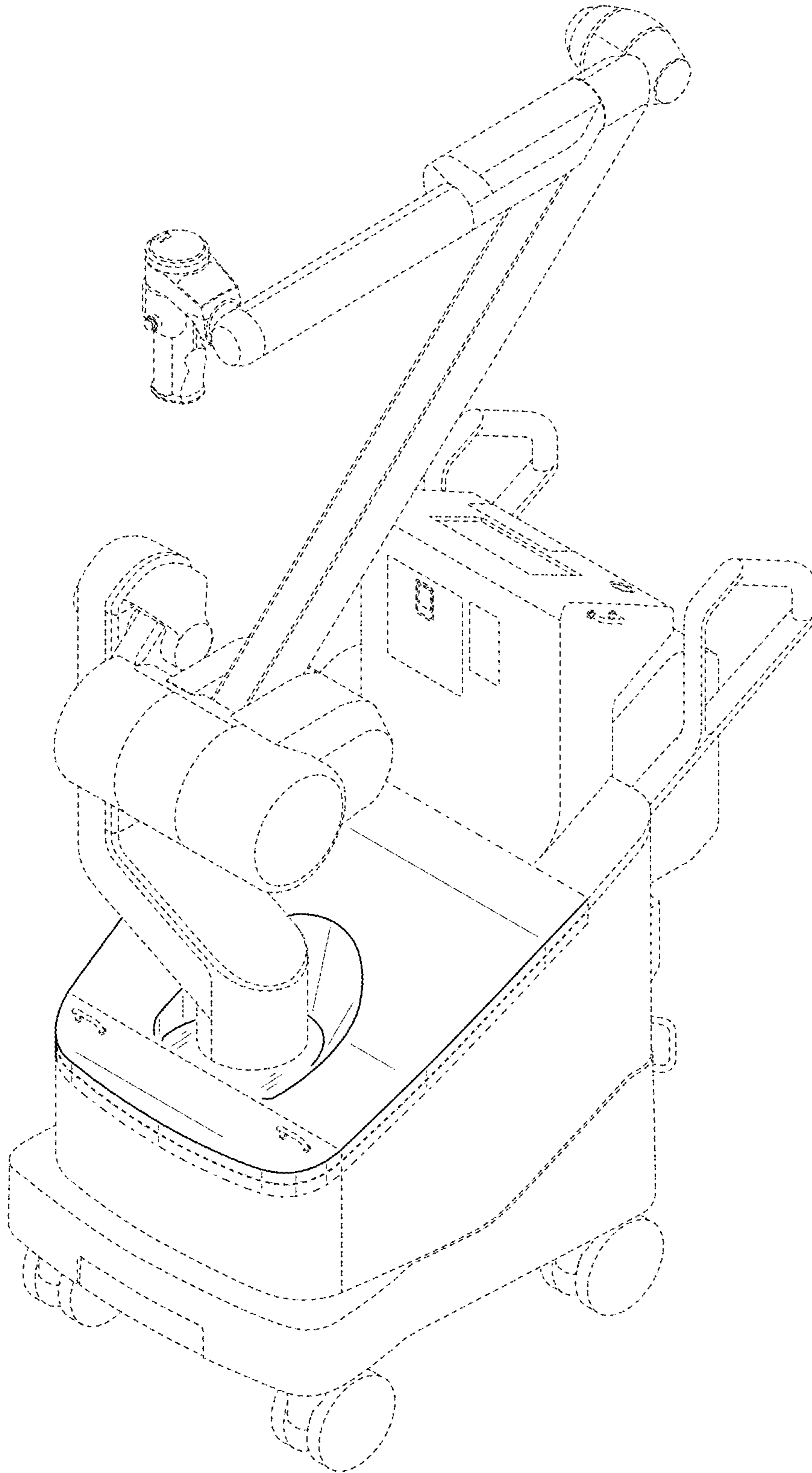


FIG.2

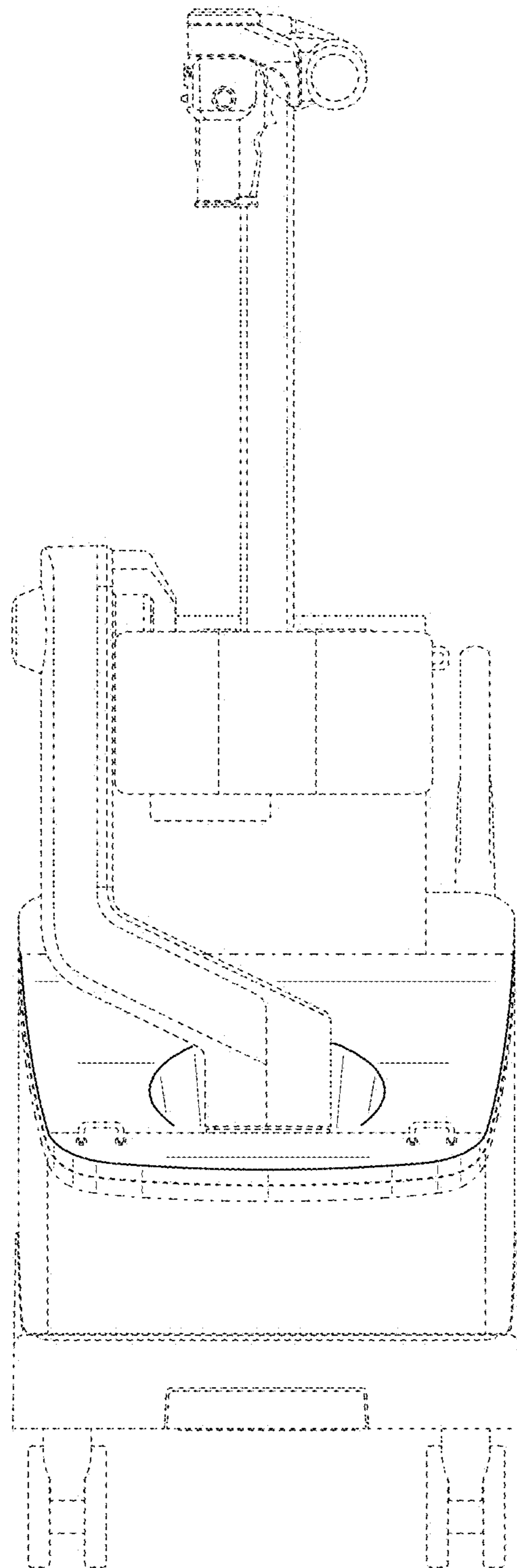


FIG.3

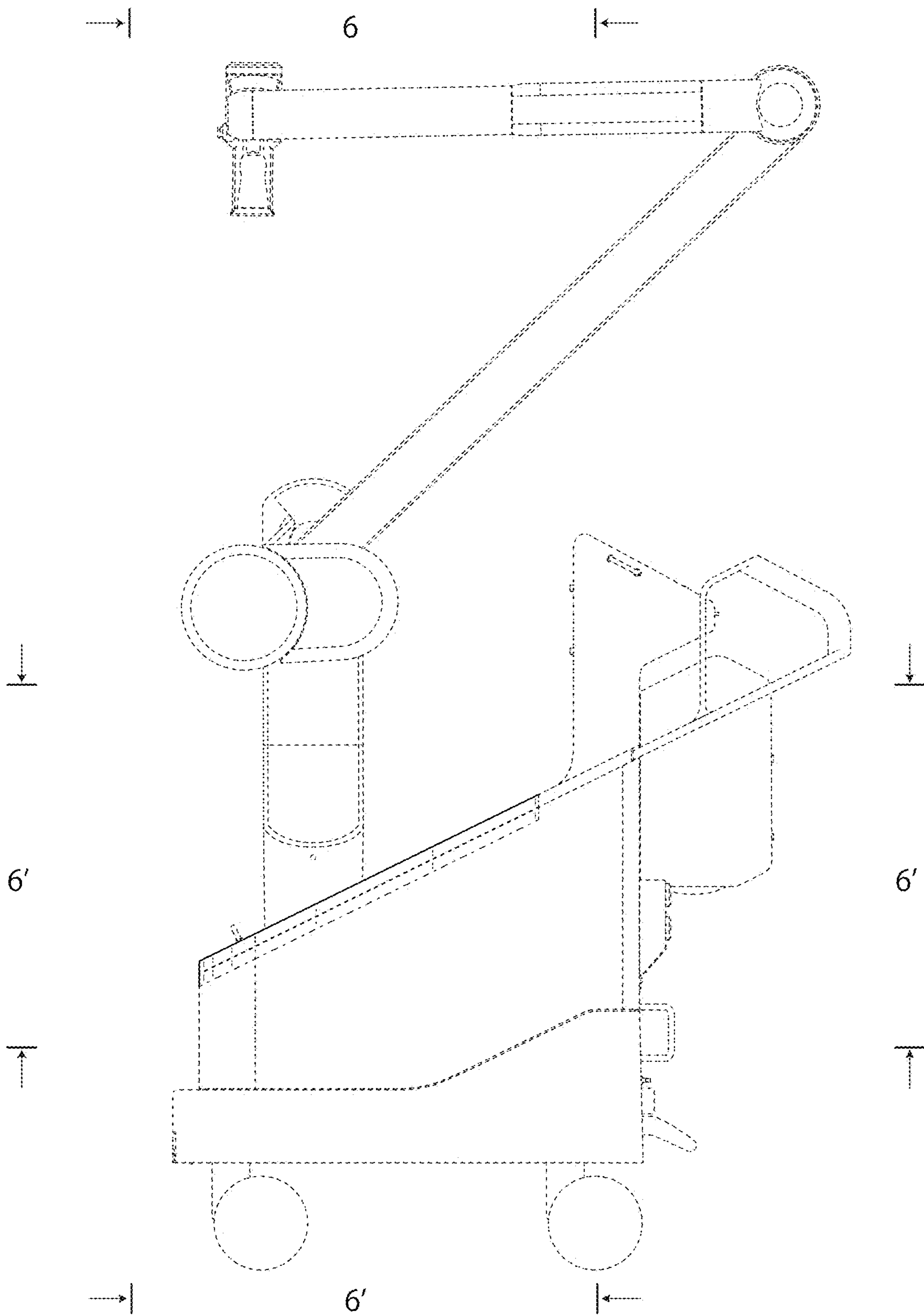


FIG.4

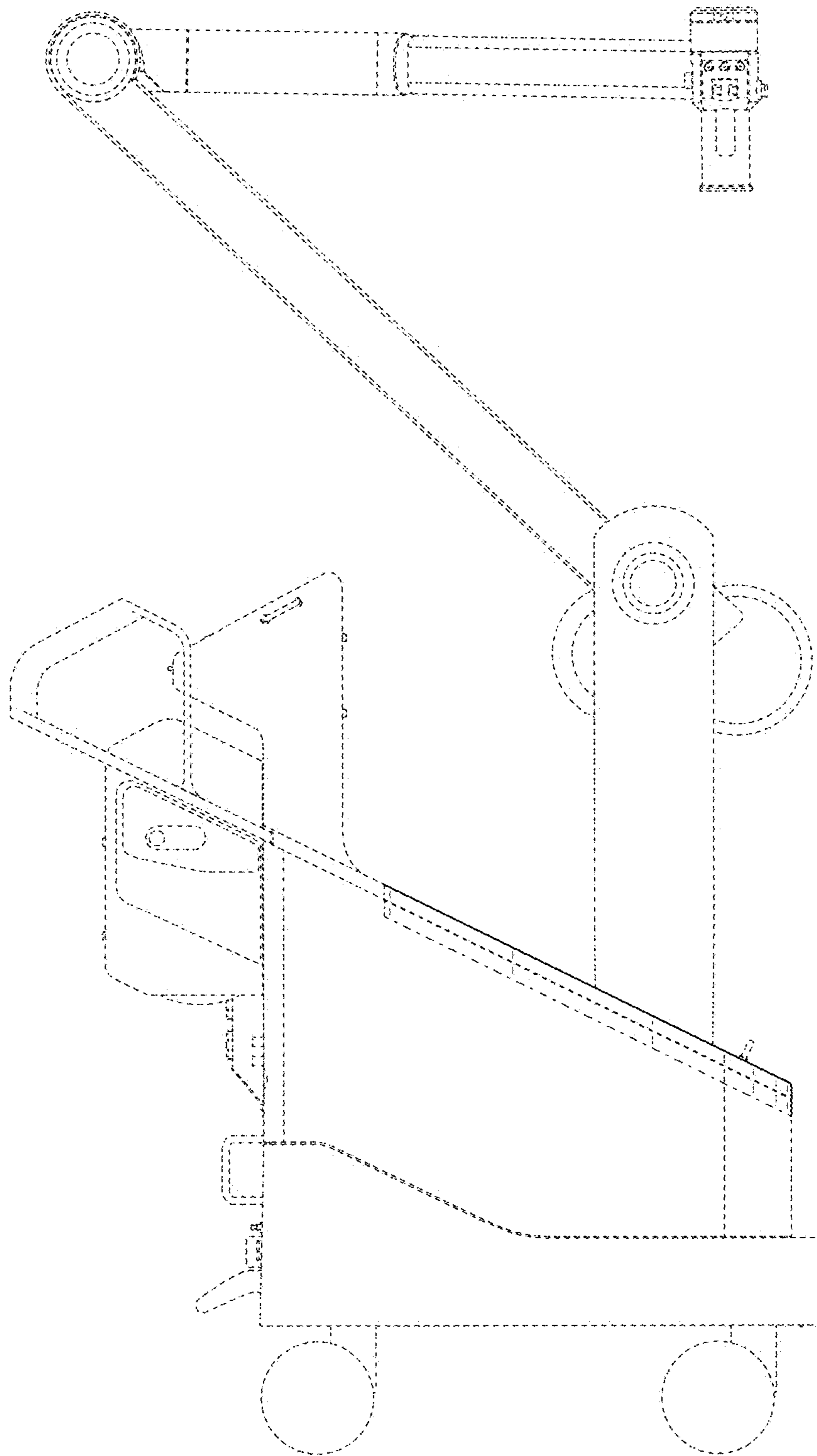


FIG.5

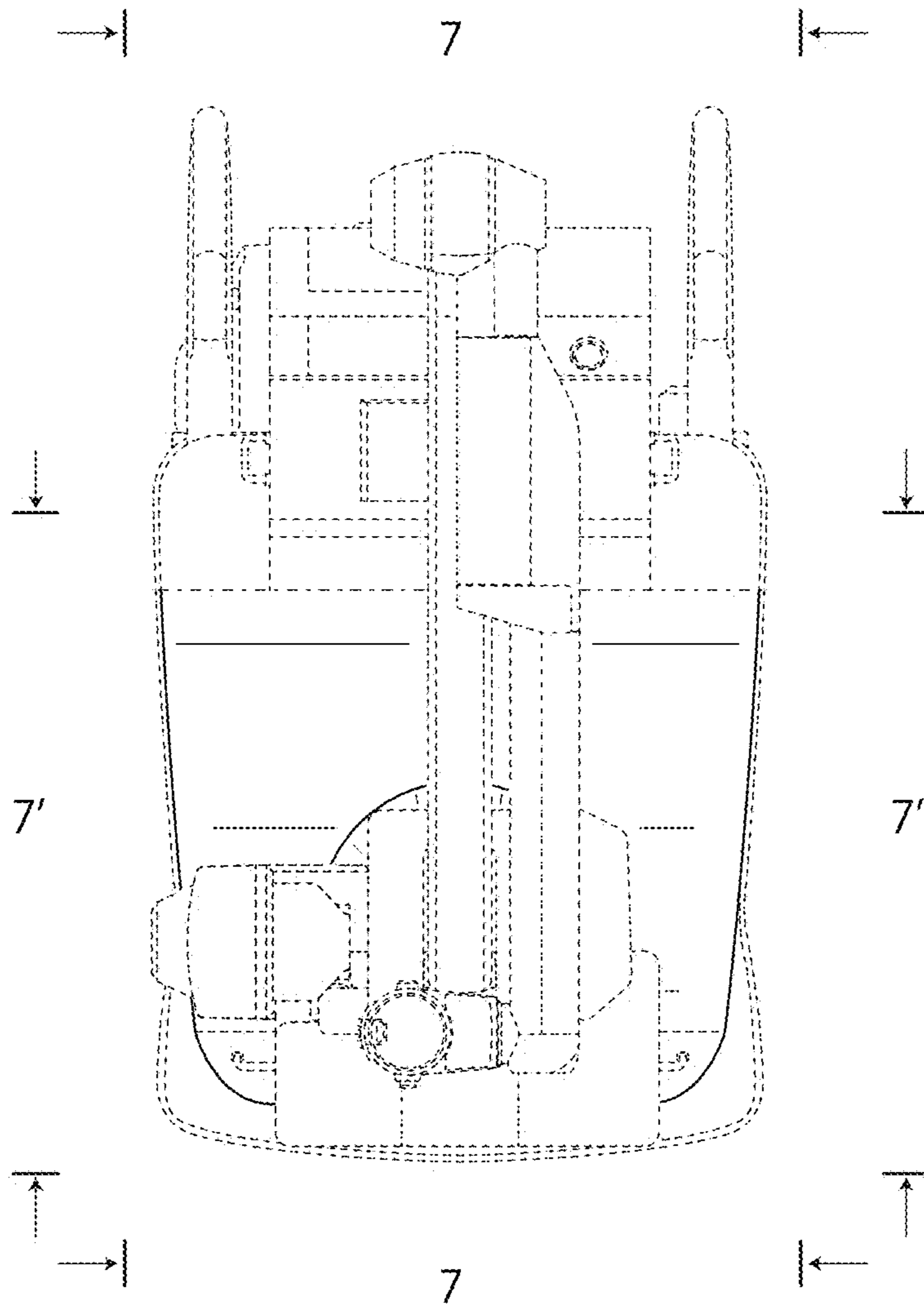


FIG.6

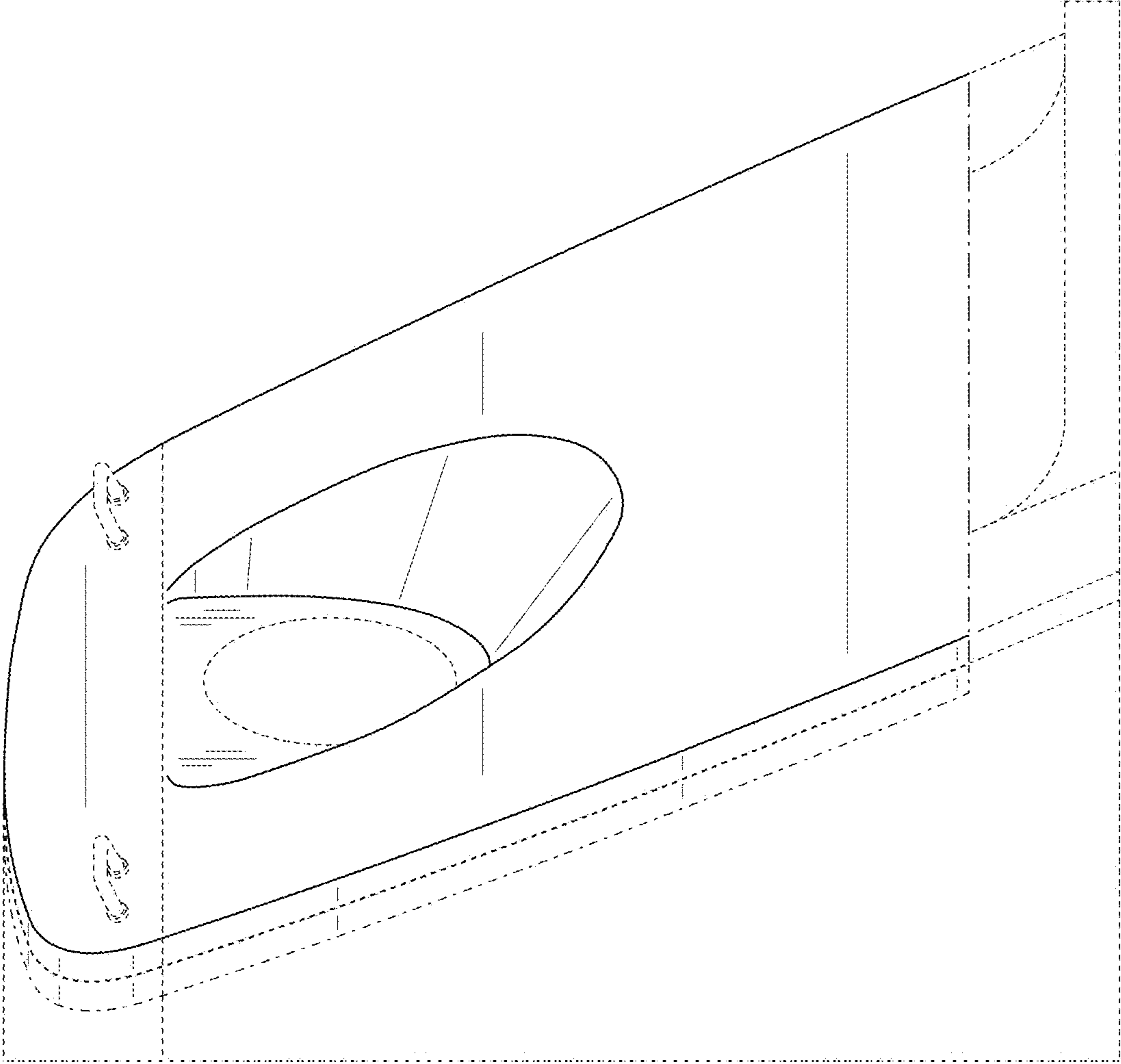




FIG.7

