



US00D904478S

(12) **United States Design Patent** (10) **Patent No.:** **US D904,478 S**  
**Costa et al.** (45) **Date of Patent:** **\*\* Dec. 8, 2020**

(54) **REDUCTION GEAR** D382,573 S \* 8/1997 Avitan ..... D15/149  
6,073,517 A \* 6/2000 Pauwels ..... F04C 29/06  
74/606 R  
(71) Applicant: **AMER S.P.A.**, Valdagno (IT) 7,465,248 B2 \* 12/2008 Katoh ..... F16H 35/10  
475/264  
(72) Inventors: **Mirko Dalla Costa**, Schio (IT); D598,938 S \* 8/2009 Mijno ..... D15/148  
**Francesco Battistella**, Valdagno (IT) D682,902 S \* 5/2013 Tanaka ..... D15/149  
9,103,967 B2 \* 8/2015 Iikawa ..... G02B 7/08  
(73) Assignee: **AMER S.P.A.**, Valdagno (IT) D753,743 S \* 4/2016 Takahashi ..... D15/149  
D753,744 S \* 4/2016 Takahashi ..... D15/149  
D797,828 S \* 9/2017 Nakamura ..... D15/149  
(\*\*) Term: **15 Years**

(21) Appl. No.: **35/507,670**

(22) Filed: **Apr. 11, 2019**

(80) **Hague Agreement Data**

Int. Filing Date: **Apr. 11, 2019**  
Int. Reg. No.: **DM/203758**  
Int. Reg. Date: **Apr. 11, 2019**  
Int. Reg. Pub. Date: **Nov. 8, 2019**

(51) **LOC (12) Cl.** ..... **15-01**

(52) **U.S. Cl.**  
USPC ..... **D15/149**  
CPC ..... **F16H 35/10 (2013.01)**

(58) **Field of Classification Search**  
USPC ..... D15/148, 149; D8/17, 21, 25, 29  
CPC ..... F16H 35/10  
See application file for complete search history.

(56) **References Cited**

**U.S. PATENT DOCUMENTS**

D202,930 S \* 11/1965 Belezos et al. .... D15/149  
D205,312 S \* 7/1966 Mustgrave ..... D15/149  
3,299,741 A \* 1/1967 Twiford ..... F16H 3/722  
475/102  
D292,804 S \* 11/1987 Edwards ..... D15/149

**FOREIGN PATENT DOCUMENTS**

JP 2004324878 A \* 11/2004  
JP 2007040396 A \* 2/2007  
JP 2007170547 A \* 7/2007  
JP 2011141035 A \* 7/2011

\* cited by examiner

*Primary Examiner* — Richard E Chilcot  
(74) *Attorney, Agent, or Firm* — Workman Nydegger

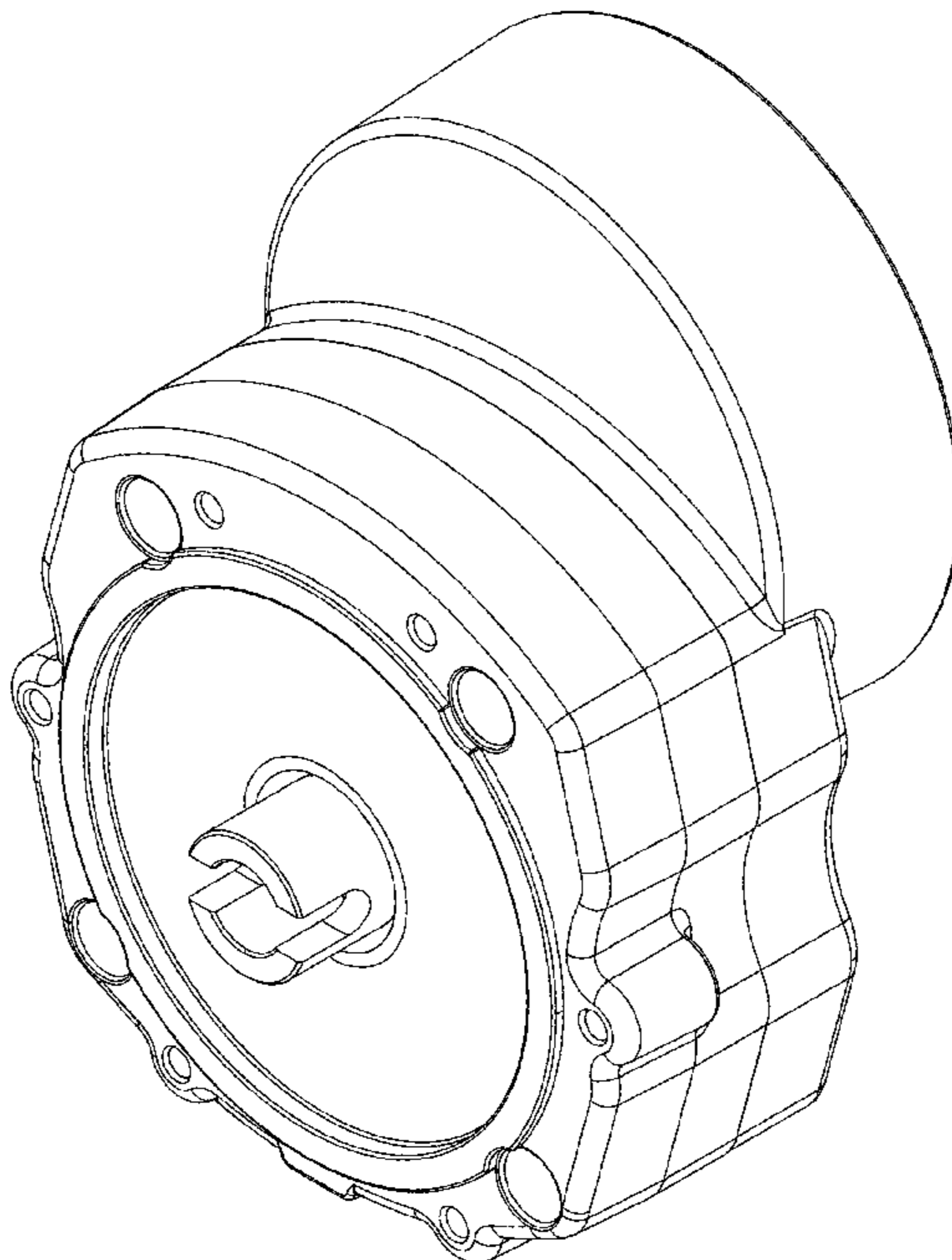
(57) **CLAIM**

The ornamental design for a reduction gear, as shown and described.

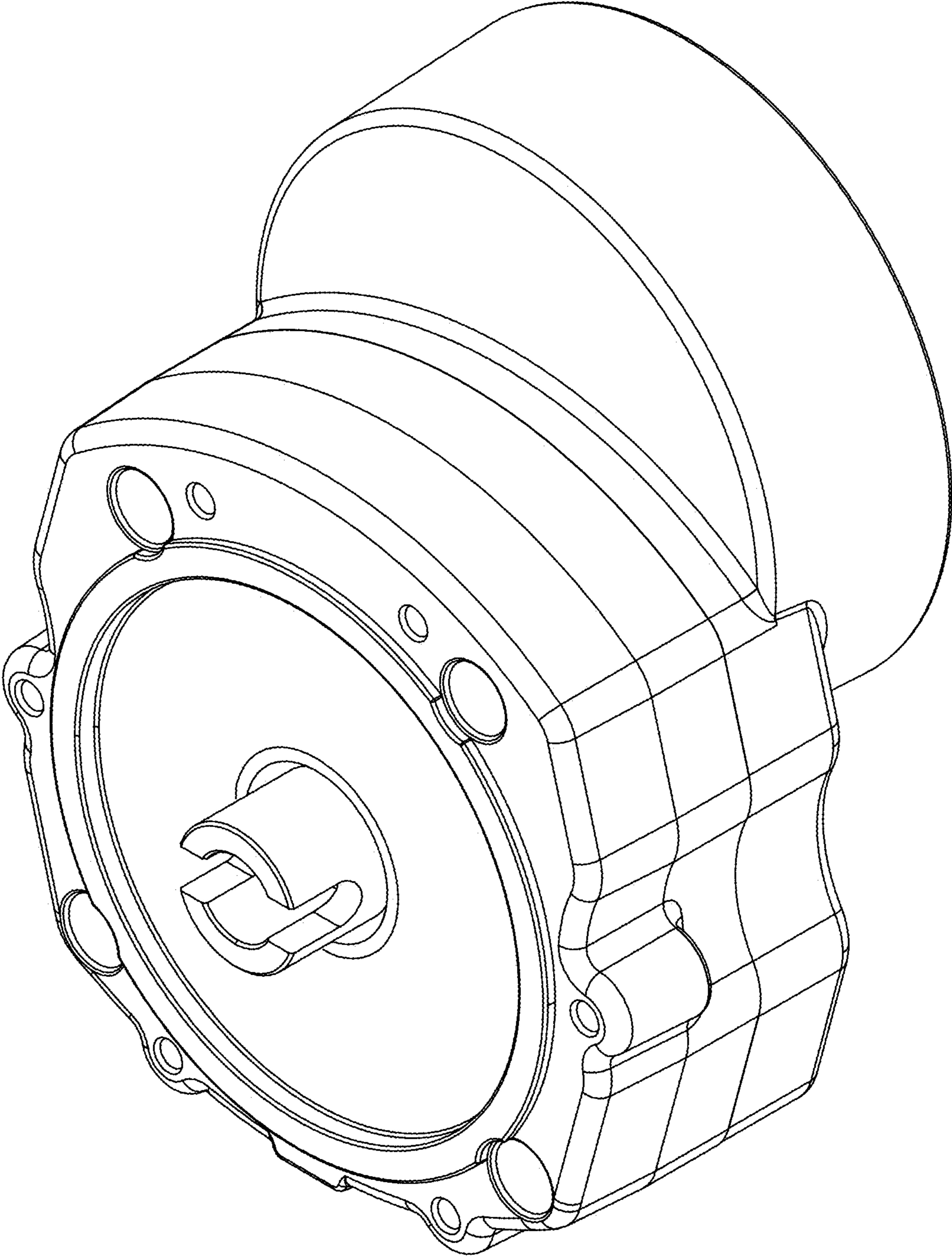
**DESCRIPTION**

1. Reduction gear  
Figure 1.1 is a front perspective view of a reduction gear showing our new design;  
Figure 1.2 is a front elevational view thereof;  
Figure 1.3 is a rear elevational view thereof;  
Figure 1.4 is a right side elevational view thereof;  
Figure 1.5 is a left side elevational view thereof;  
Figure 1.6 is a top plan view thereof; and  
Figure 1.7 is a bottom plan view thereof.

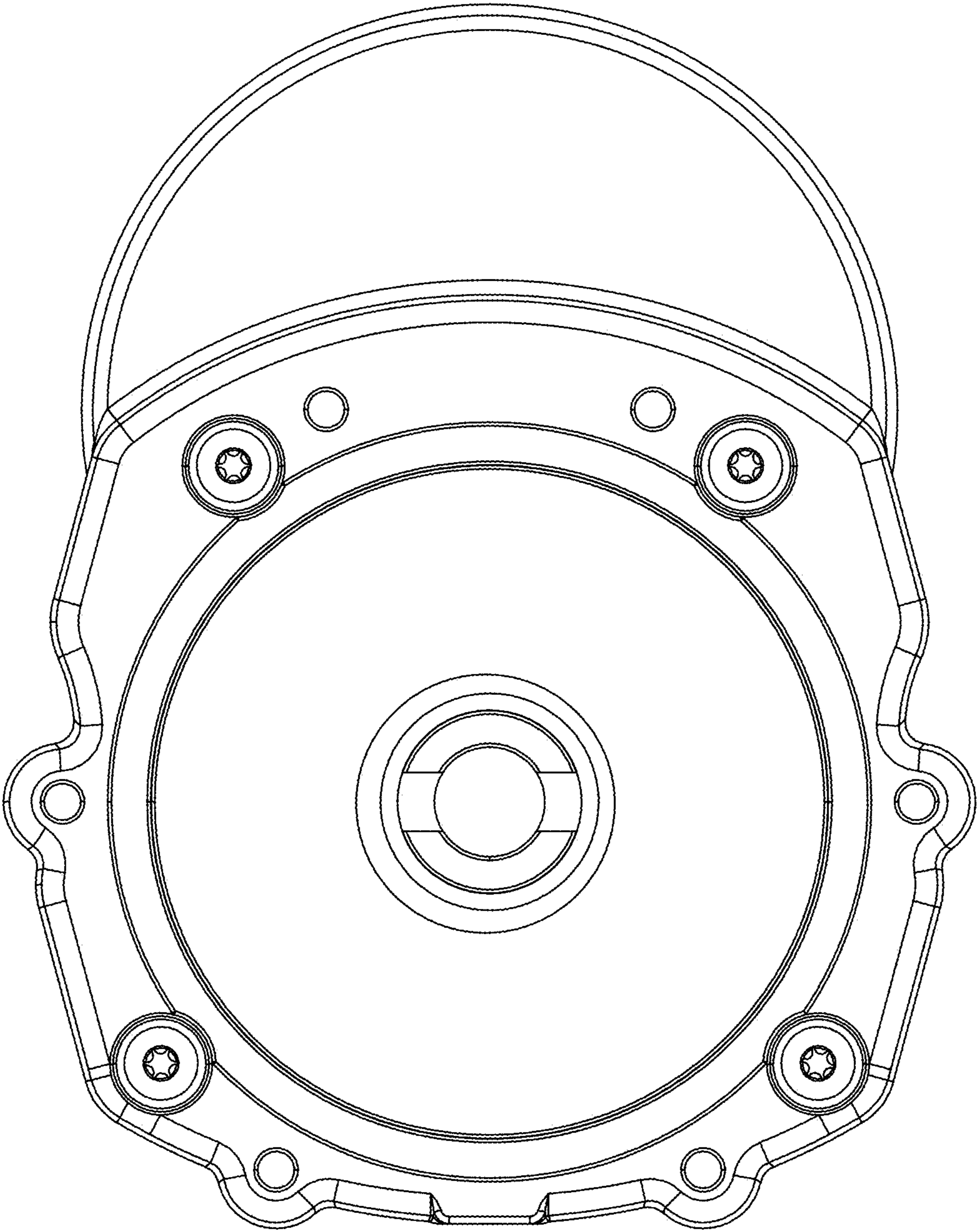
**1 Claim, 7 Drawing Sheets**



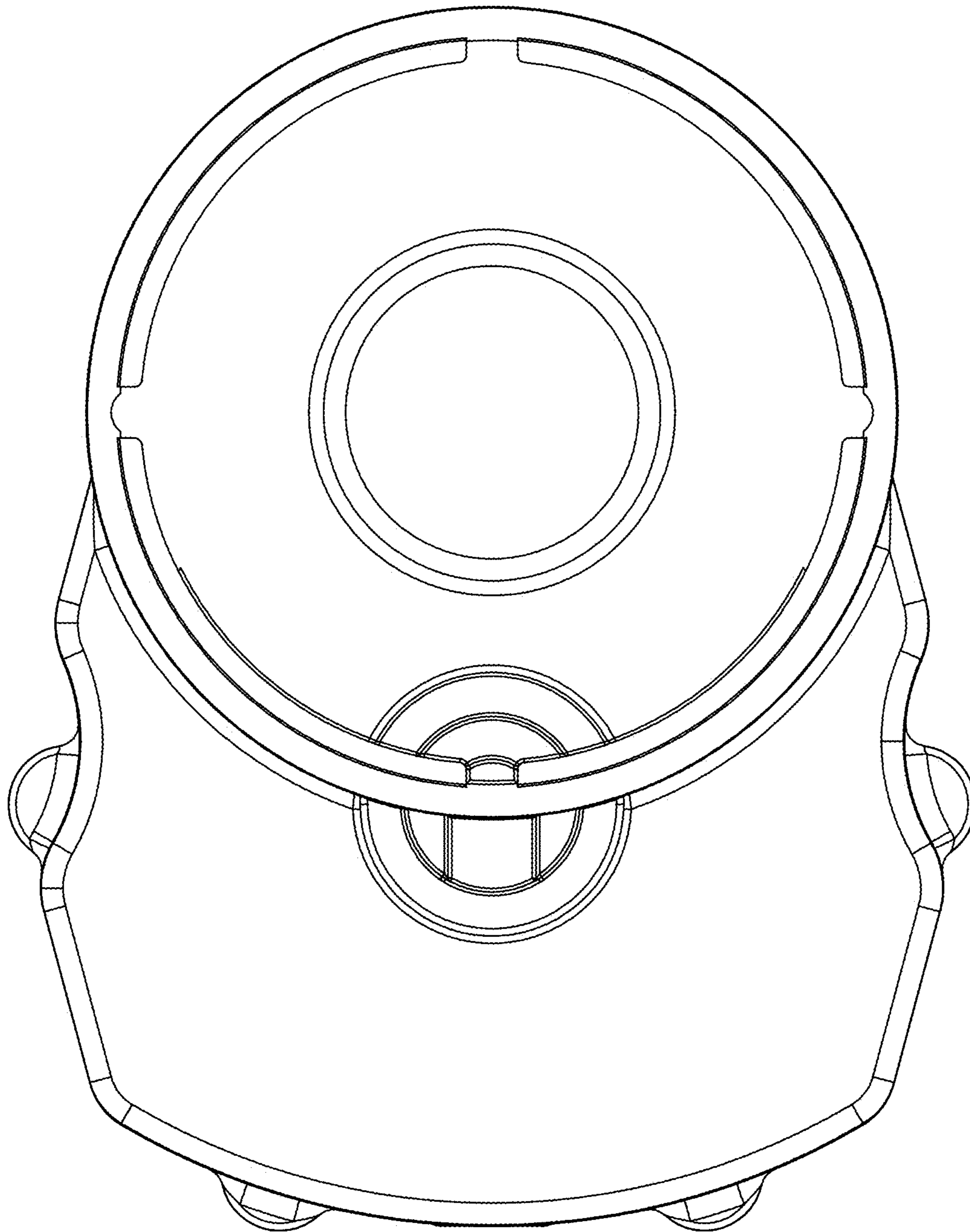
1.1



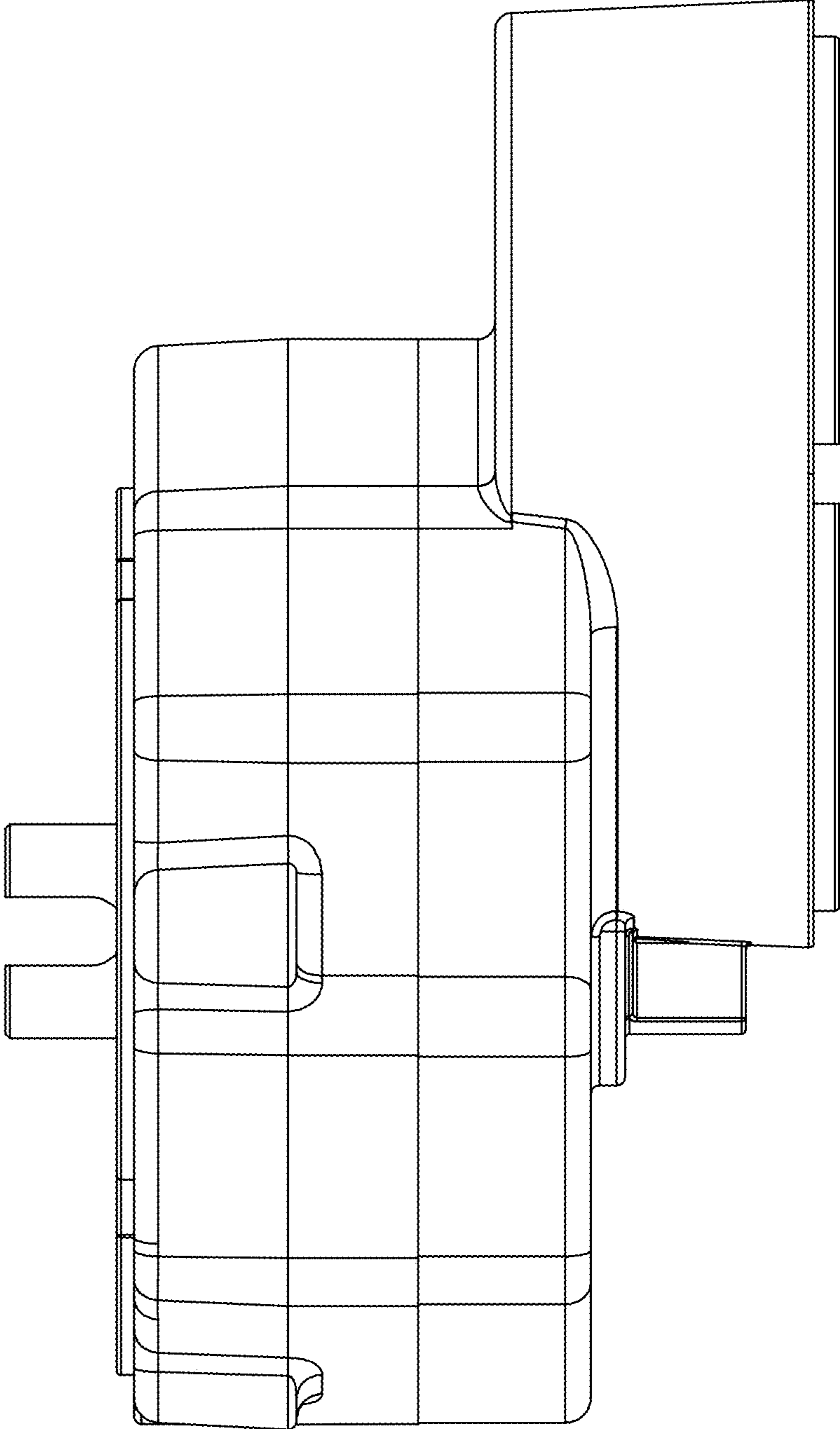
1.2



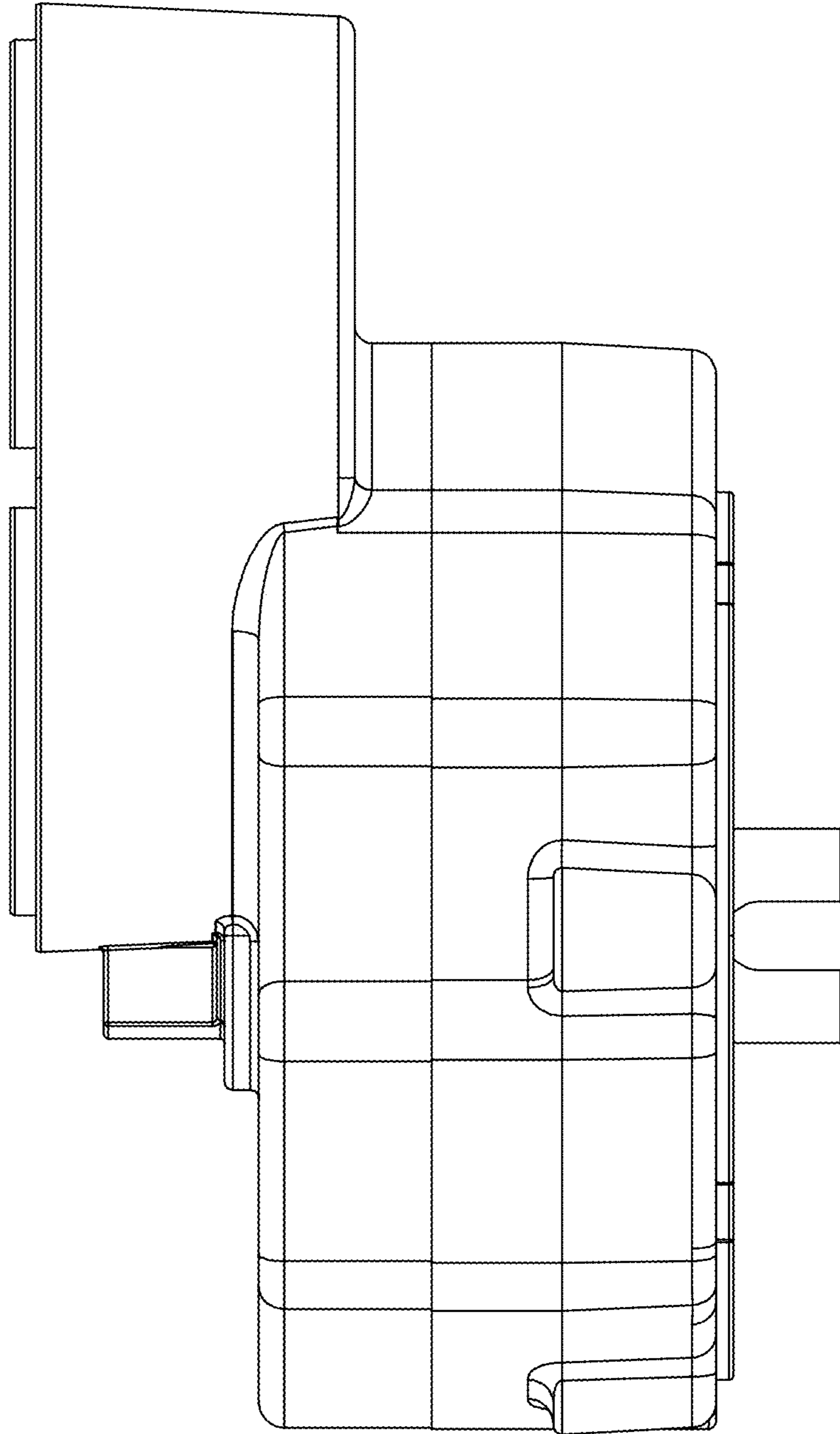
1.3



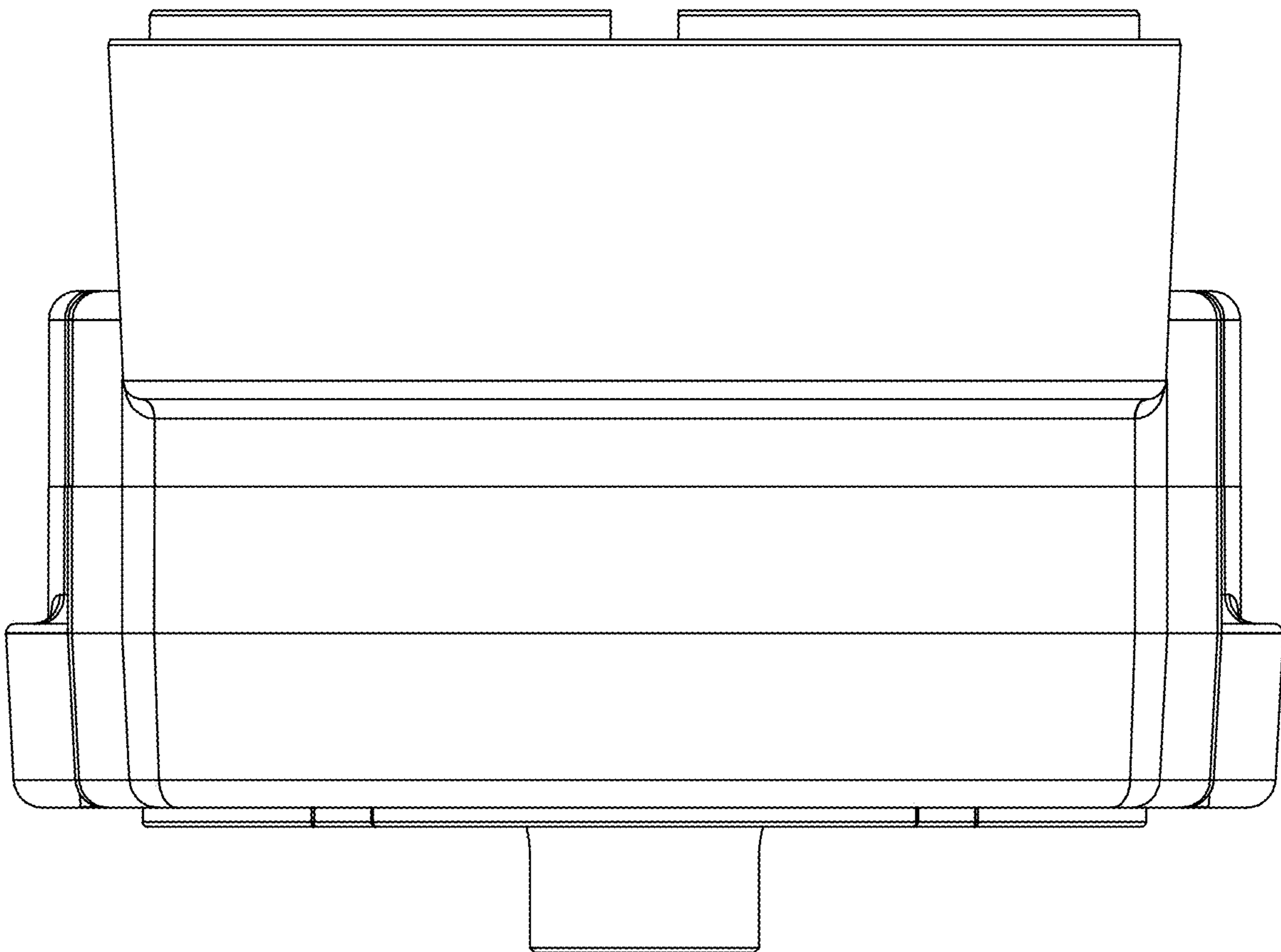
1.4



1.5



1.6



1.7

