

US00D904477S

(12) **United States Design Patent**
Yunoki et al.

(10) **Patent No.:** **US D904,477 S**

(45) **Date of Patent:** **** Dec. 8, 2020**

- (54) **ROLL PALLET OPENER**
- (71) Applicant: **Rapyuta Robotics Co., Ltd**, Tokyo (JP)
- (72) Inventors: **Kosuke Yunoki**, Tokyo (JP); **Praveen Ramanujam**, Tokyo (JP)
- (73) Assignee: **Rapyuta Robotics Co., Ltd.**, Tokyo (JP)
- (**) Term: **15 Years**
- (21) Appl. No.: **29/685,097**
- (22) Filed: **Mar. 26, 2019**
- (51) **LOC (12) Cl.** **15-09**
- (52) **U.S. Cl.**
USPC **D15/145**; D15/122
- (58) **Field of Classification Search**
USPC D15/122, 145, 199; D34/28, 33, 35
CPC B23P 19/004
See application file for complete search history.

| | | | | | |
|--------------|------|---------|-----------|-------|-------------|
| D488,056 | S * | 4/2004 | Dion | | D8/381 |
| D490,678 | S * | 6/2004 | Dion | | D8/381 |
| D549,754 | S * | 8/2007 | Timhagen | | D15/199 |
| D586,524 | S * | 2/2009 | Mertes | | D34/28 |
| D653,833 | S * | 2/2012 | Thompson | | D34/28 |
| D691,183 | S * | 10/2013 | Arai | | D15/122 |
| 8,651,237 | B2 * | 2/2014 | Pulliam | | E02F 3/962 |
| | | | | | 182/141 |
| D751,788 | S * | 3/2016 | Taylor | | D34/28 |
| 10,029,820 | B2 * | 7/2018 | Van Doorn | | B65D 19/38 |
| 10,035,689 | B2 * | 7/2018 | Iotti | | B66F 9/127 |
| D844,278 | S * | 3/2019 | Iotti | | D34/28 |
| D866,111 | S * | 11/2019 | Newgent | | D34/28 |
| D873,876 | S * | 1/2020 | Bellante | | D15/145 |
| 2002/0050439 | A1 * | 5/2002 | Watanabe | | B23Q 7/1431 |
| | | | | | 198/346.1 |
| 2003/0165376 | A1 * | 9/2003 | Bruno | | A61G 3/0209 |
| | | | | | 414/462 |
| 2012/0082532 | A1 * | 4/2012 | Watanabe | | B23Q 7/1431 |
| | | | | | 414/222.01 |

(Continued)

Primary Examiner — Patricia A Palasik

(74) *Attorney, Agent, or Firm* — Trupti P. Joshi

(57) **CLAIM**

The ornamental design for a roll pallet opener, as shown and described.

DESCRIPTION

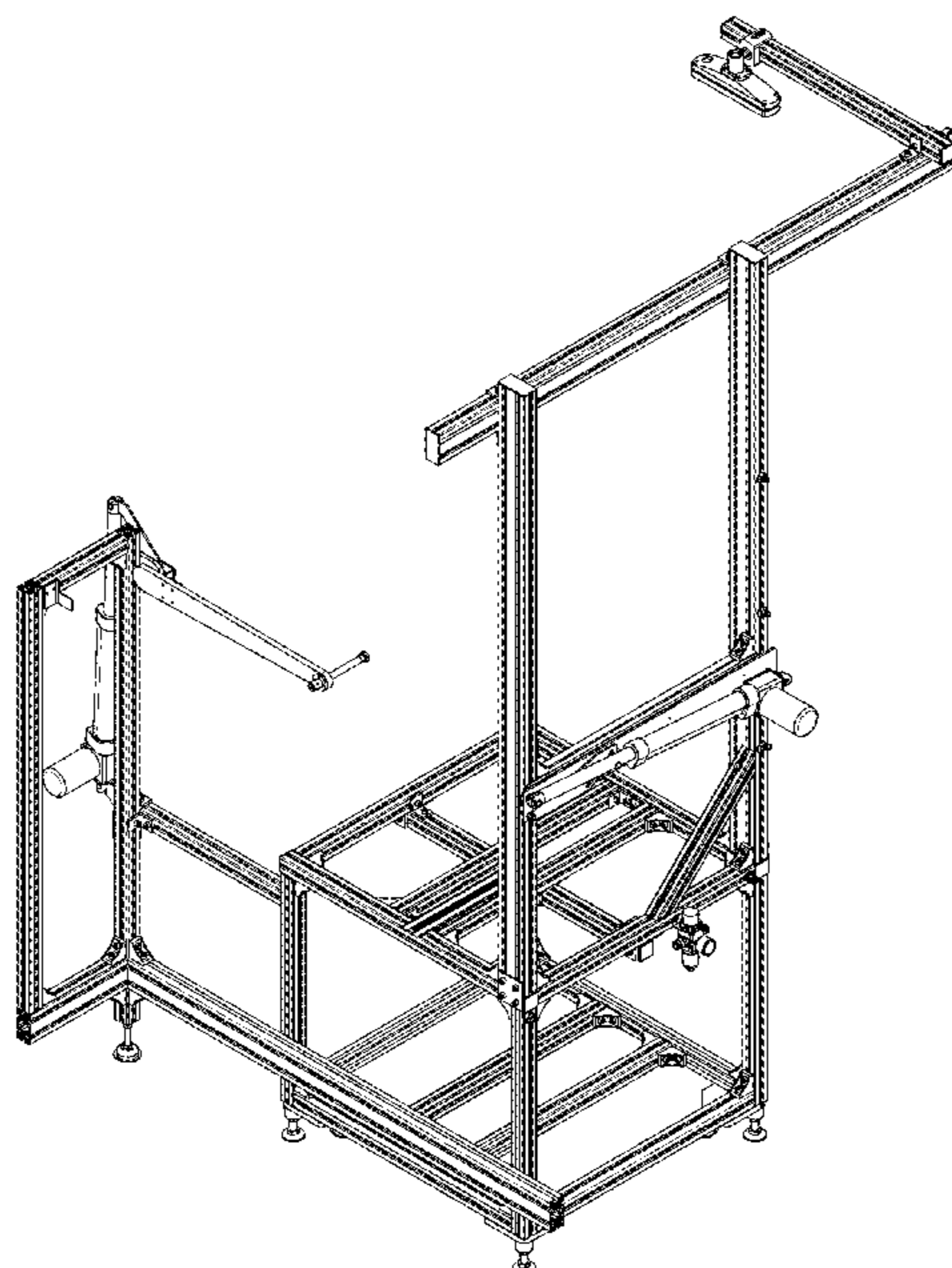
FIG. 1 is a perspective view of a roll pallet opener showing our new design,
 FIG. 2 is a front view of the roll pallet opener of FIG. 1;
 FIG. 3 is a rear view of the roll pallet opener of FIG. 1;
 FIG. 4 is a left side view of the roll pallet opener of FIG. 1;
 FIG. 5 is a right side view of the roll pallet opener of FIG. 1;
 FIG. 6 is a top view of the roll pallet opener of FIG. 1; and,
 FIG. 7 is a bottom view of the roll pallet opener of FIG. 1.

1 Claim, 7 Drawing Sheets

(56) **References Cited**

U.S. PATENT DOCUMENTS

| | | | | | |
|-----------|------|---------|------------|-------|-------------|
| 4,185,716 | A * | 1/1980 | Rinehart | | B66F 11/044 |
| | | | | | 182/113 |
| 4,346,506 | A * | 8/1982 | Martindale | | B23P 6/00 |
| | | | | | 227/76 |
| 4,546,598 | A * | 10/1985 | Karpisek | | B65B 9/135 |
| | | | | | 53/556 |
| D321,893 | S * | 11/1991 | Field | | D15/122 |
| D322,443 | S * | 12/1991 | Field | | D15/122 |
| D376,889 | S * | 12/1996 | Pilla | | D34/38 |
| 6,145,619 | A * | 11/2000 | Risser | | B66F 11/044 |
| | | | | | 182/113 |
| 6,193,048 | B1 * | 2/2001 | Keith | | B23Q 7/1431 |
| | | | | | 198/346.1 |
| D441,166 | S * | 4/2001 | Bowman | | D34/38 |



(56)

References Cited

U.S. PATENT DOCUMENTS

2014/0117577 A1* 5/2014 Simmons B65G 69/18
264/69
2015/0128832 A1* 5/2015 Taylor F16M 11/38
108/50.11
2017/0320231 A1* 11/2017 Gudim B27F 7/13

* cited by examiner

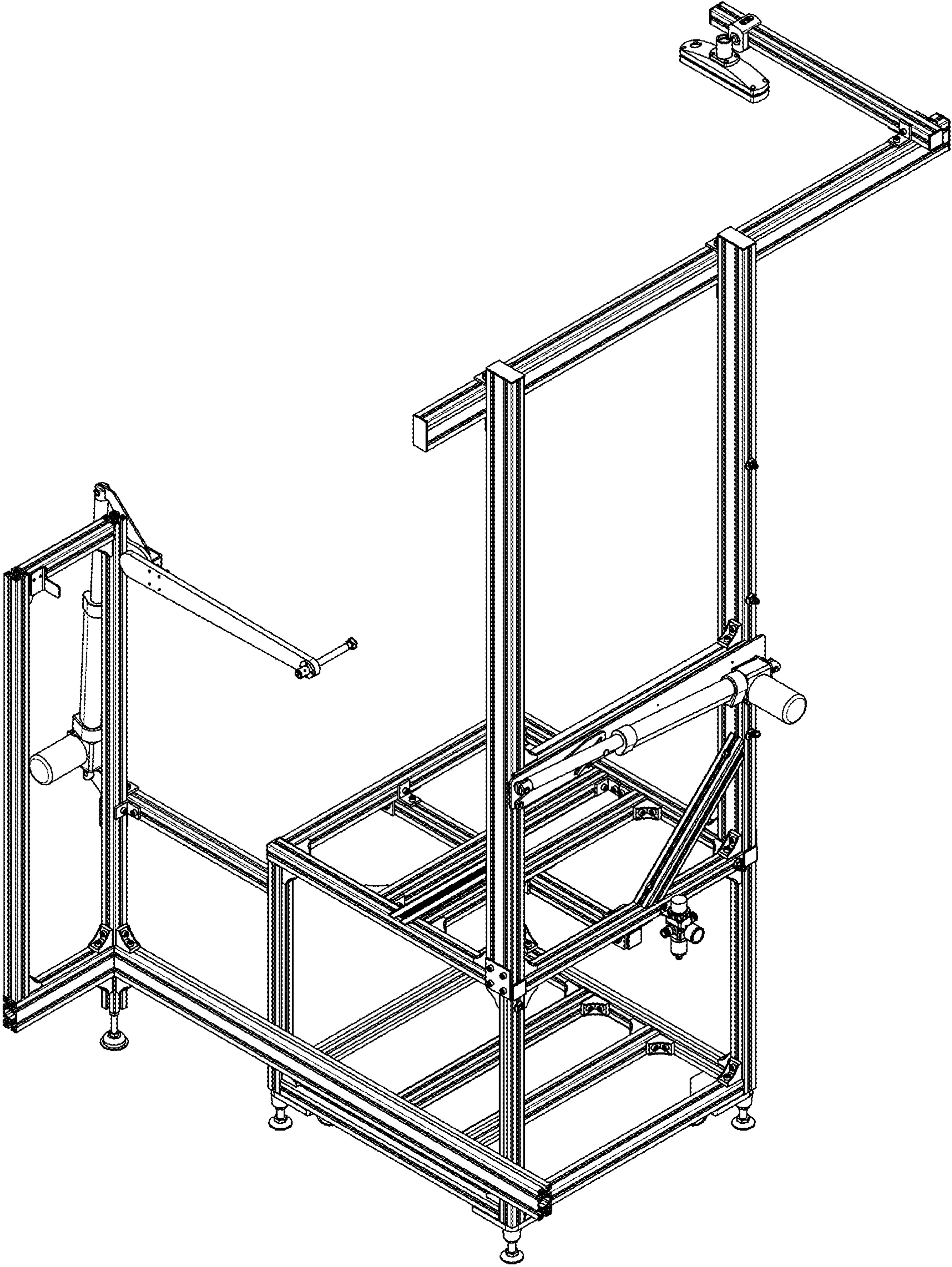


FIG. 1

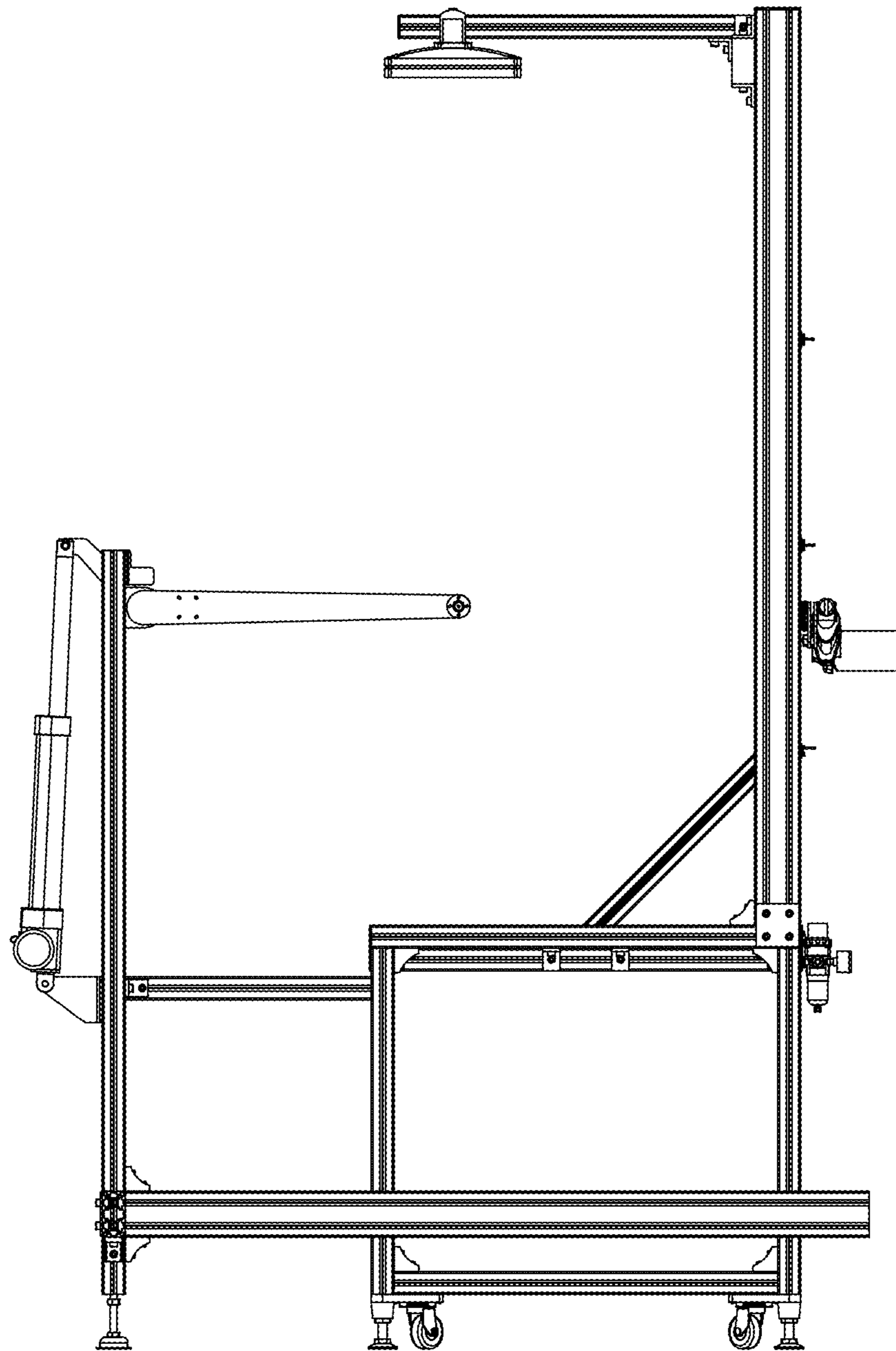


FIG. 2

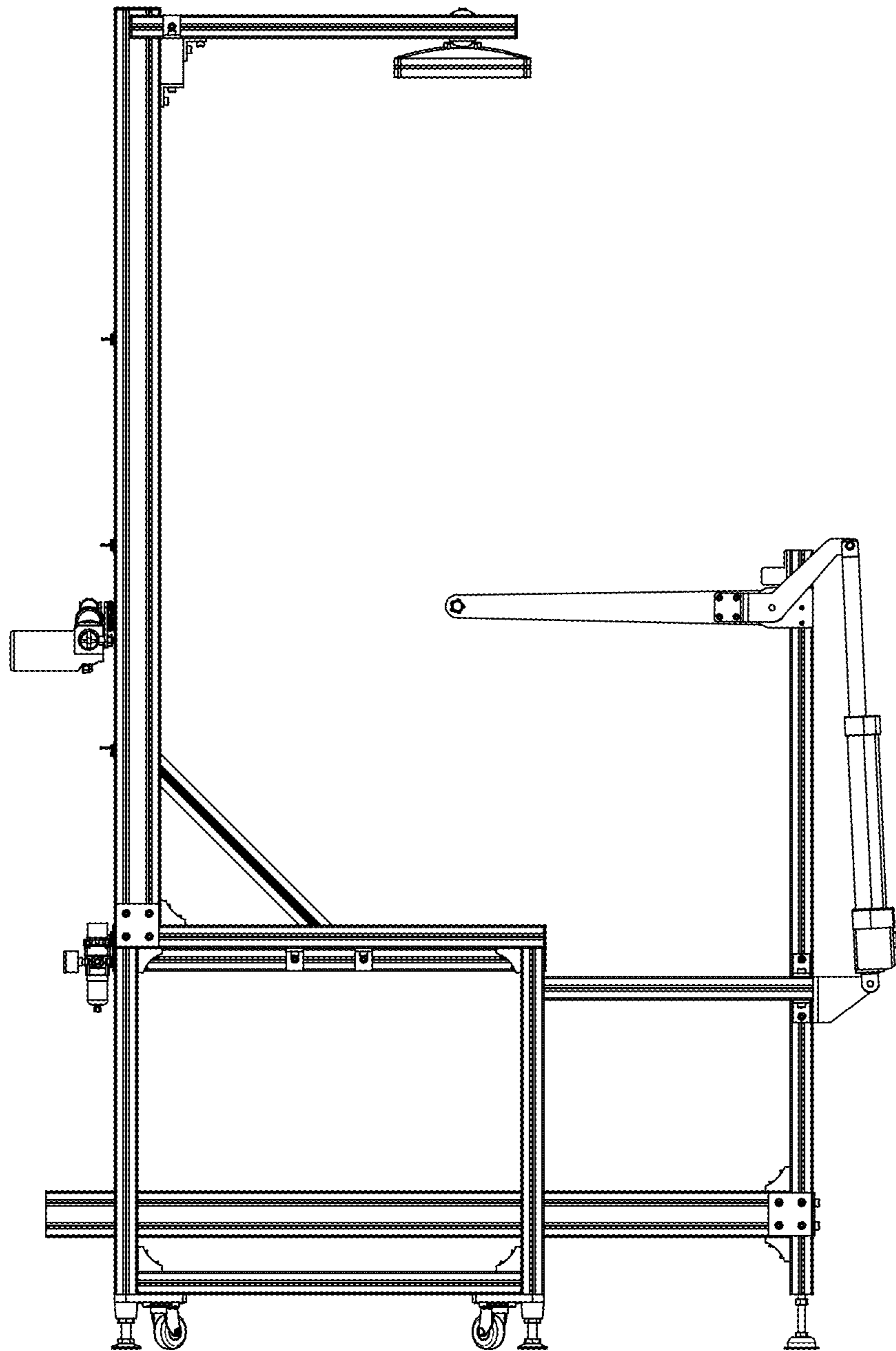


FIG. 3

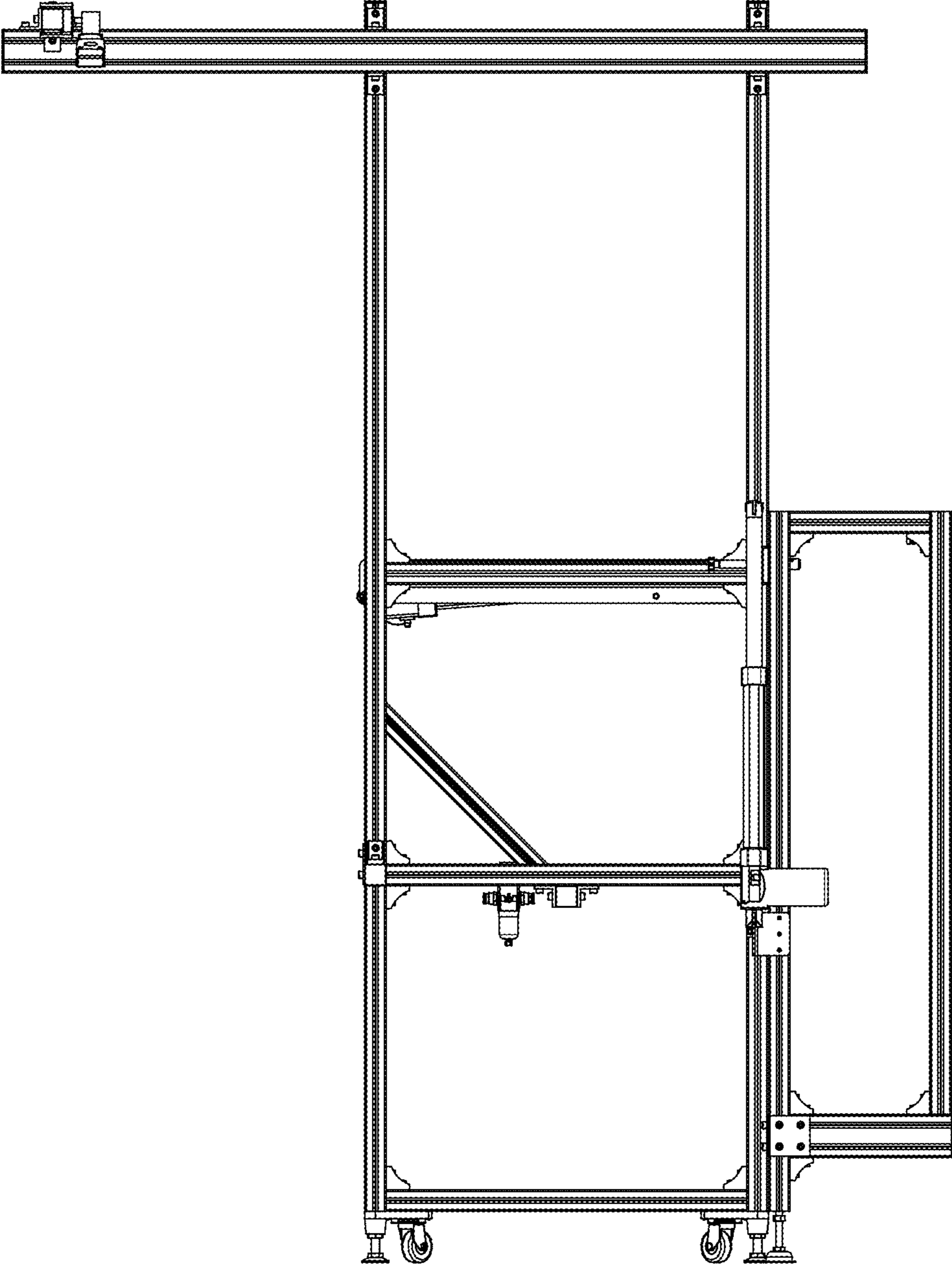


FIG. 4

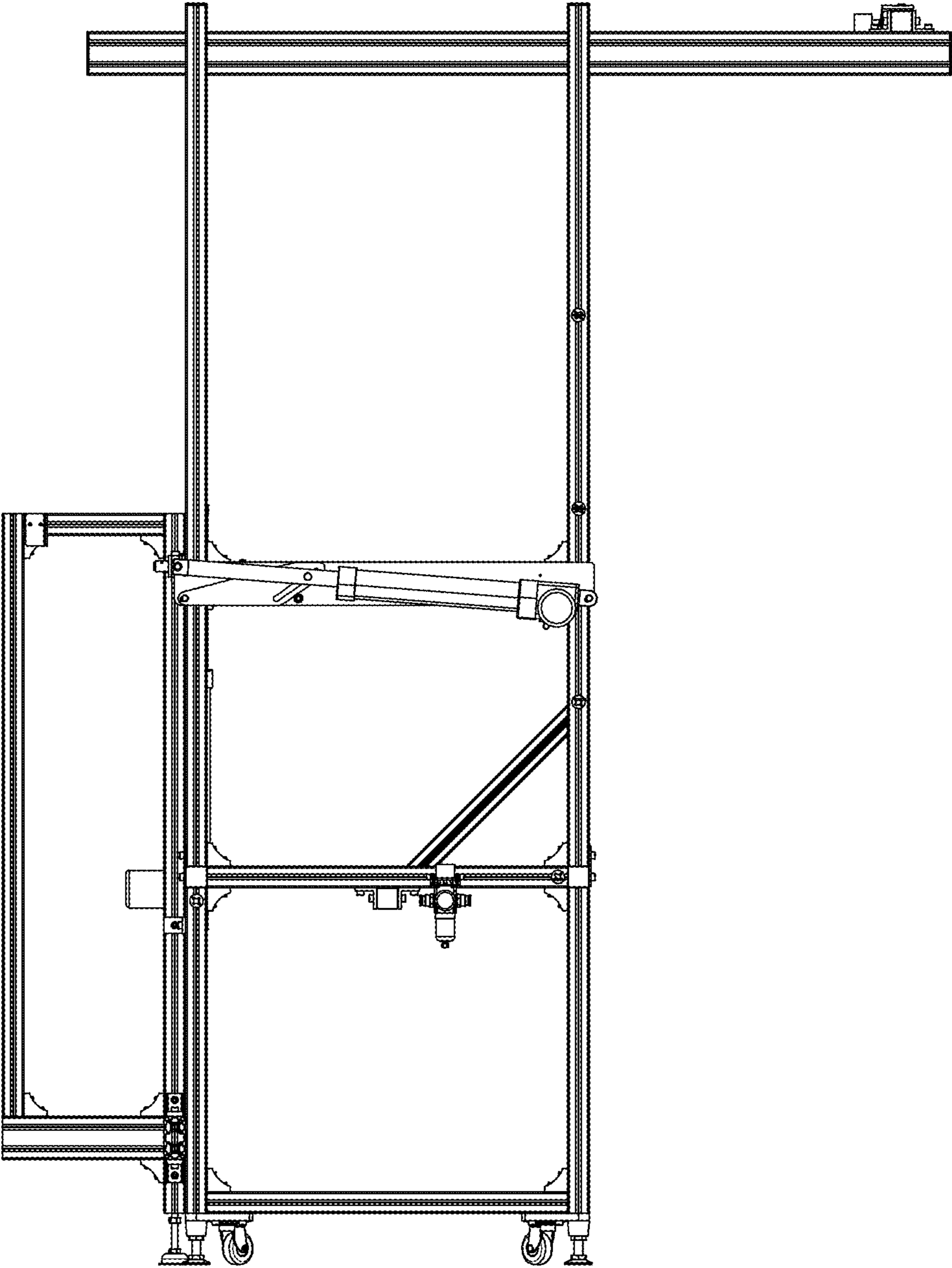


FIG. 5

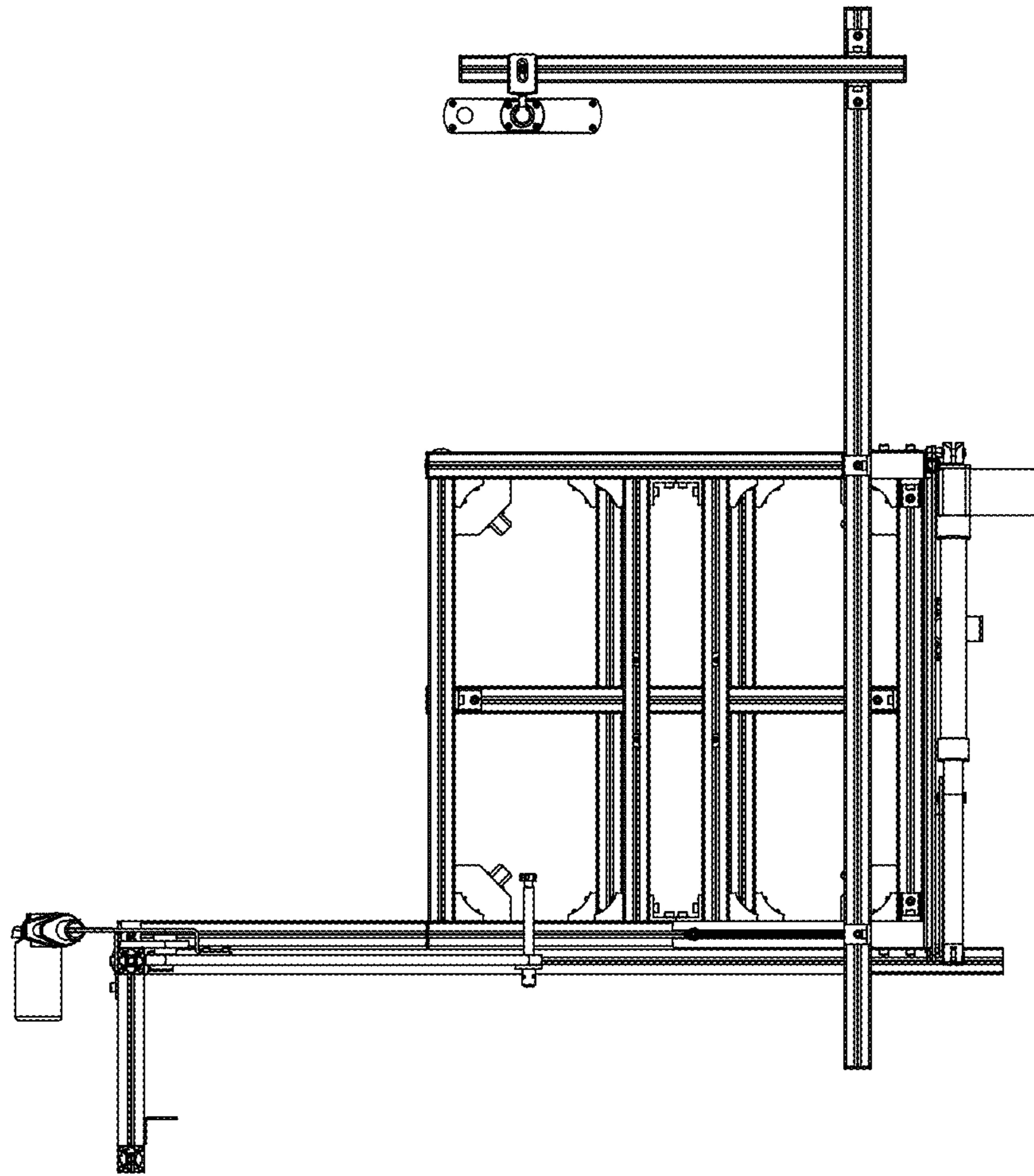


FIG. 6

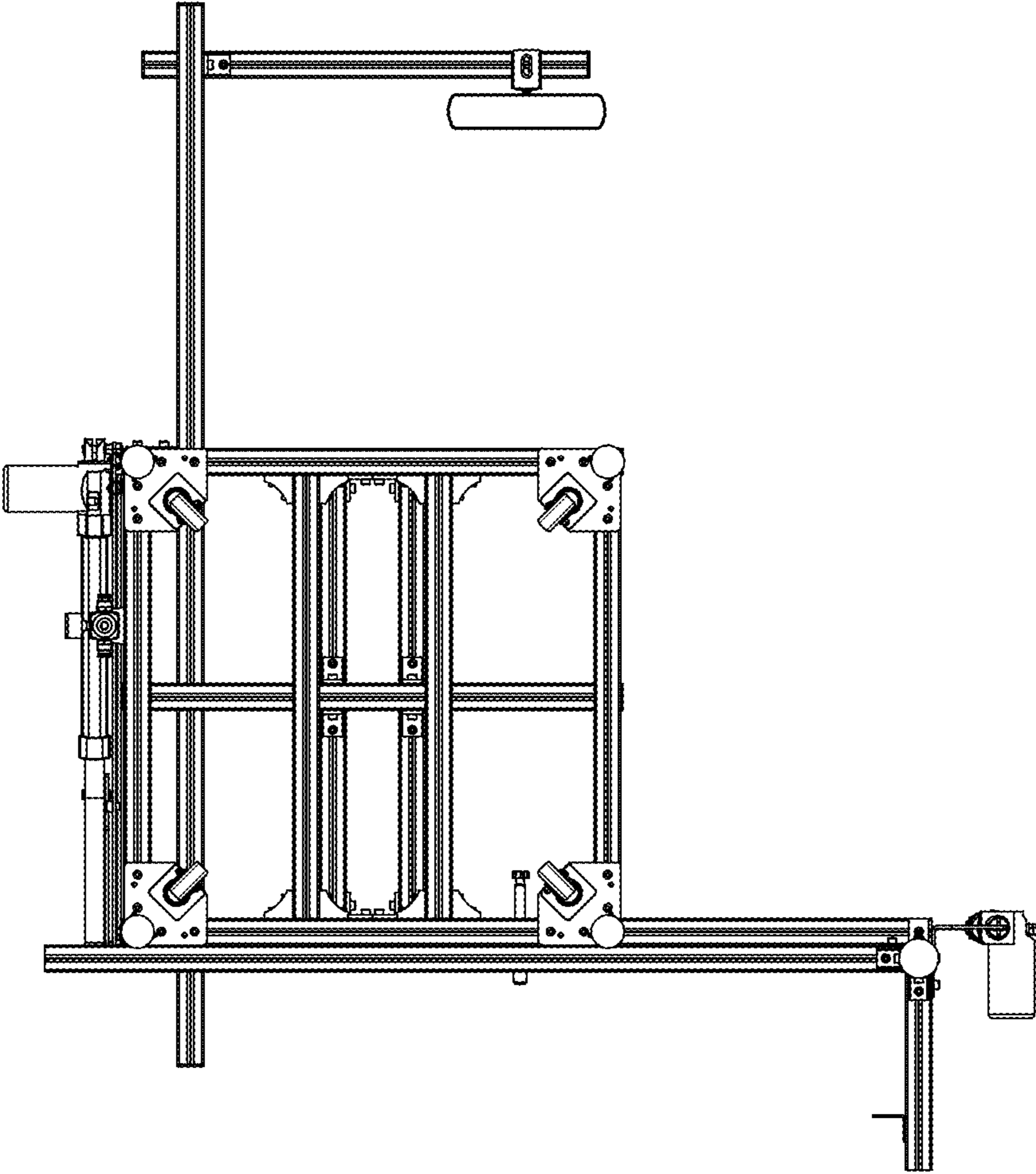


FIG. 7