



US00D904469S

(12) **United States Design Patent**  
**Loew**

(10) **Patent No.:** **US D904,469 S**  
(45) **Date of Patent:** **\*\* Dec. 8, 2020**

(54) **SIDE PANEL**  
(71) Applicant: **BOMAG GmbH**, Boppard (DE)  
(72) Inventor: **Roland Loew**, Klein-Winternheim (DE)  
(73) Assignee: **BOMAG GmbH**, Boppard (DE)  
(\*\*) Term: **15 Years**  
(21) Appl. No.: **29/698,465**  
(22) Filed: **Jul. 17, 2019**

7,641,019 B2 \* 1/2010 Pline ..... B60K 26/02  
180/315  
7,748,785 B2 \* 7/2010 Lucas ..... B60N 2/797  
297/411.35  
D640,293 S \* 6/2011 Ono ..... D15/28  
8,483,914 B2 \* 7/2013 Copeland ..... B60N 2/797  
701/50  
D697,534 S \* 1/2014 Uchida ..... D15/28  
8,714,049 B2 \* 5/2014 Ast ..... G05G 1/04  
74/522  
D728,634 S 5/2015 Alpsten et al.  
D757,634 S 5/2016 Uusitalo  
D760,813 S 7/2016 Roemer et al.

(Continued)

(30) **Foreign Application Priority Data**

Jan. 28, 2019 (EM) ..... 006092540-0006

(51) **LOC (12) Cl.** ..... **15-03**  
(52) **U.S. Cl.**  
USPC ..... **D15/28**

(58) **Field of Classification Search**  
USPC ..... D15/17, 28, 14, 15, 22-26, 31, 33;  
D12/192; 180/69.24, 69.2, 69.21, 90,  
180/89.12, 900; 296/70, 30, 72, 191,  
296/192, 193.03  
CPC ..... B62D 49/00; B60K 37/00; B60K 37/02;  
B60K 37/04; B60K 2350/928; B60Y  
2200/22

See application file for complete search history.

(56) **References Cited**

**U.S. PATENT DOCUMENTS**

5,566,778 A \* 10/1996 Valier ..... B60K 20/02  
180/334  
D427,207 S 6/2000 Altmann et al.  
D427,208 S 6/2000 Altmann et al.  
D458,278 S 6/2002 Clevenger  
D463,458 S 9/2002 Arthur et al.  
D516,097 S 2/2006 Bergman et al.  
7,014,255 B2 \* 3/2006 Amamiya ..... B60N 2/143  
296/190.08  
D539,311 S 3/2007 Honda et al.

Primary Examiner — Mark A Goodwin

(74) *Attorney, Agent, or Firm* — Wood Herron & Evans  
LLP

(57) **CLAIM**

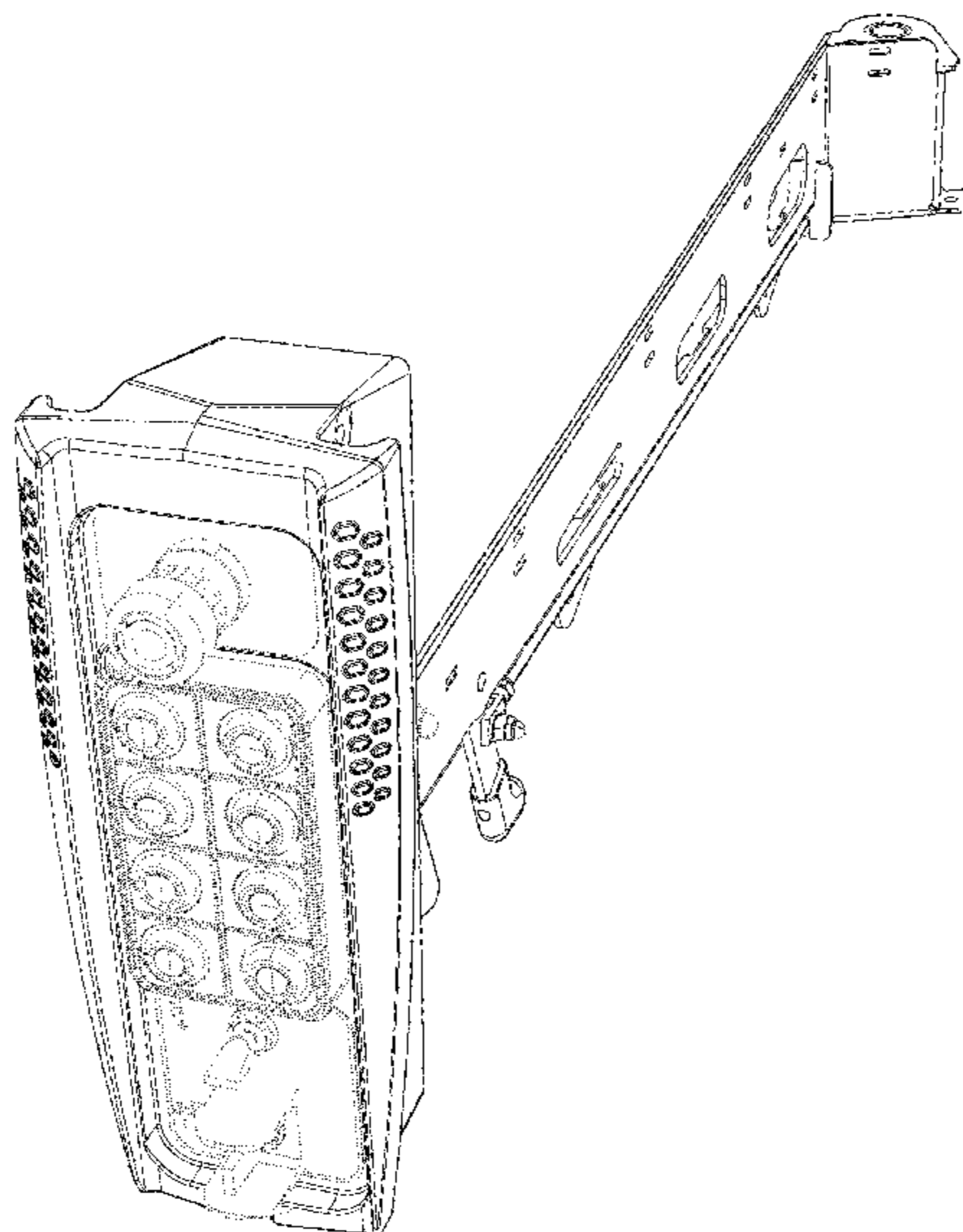
The ornamental design for a side panel, as shown and described.

**DESCRIPTION**

FIG. 1 is a front elevation view of my new side panel design;  
FIG. 2 is a right-side elevation view thereof;  
FIG. 3 is a left-side elevation view thereof;  
FIG. 4 is a top plan view thereof;  
FIG. 5 is a front right perspective view thereof;  
FIG. 6 is a front left perspective view thereof;  
FIG. 7 is a rear top perspective view thereof;  
FIG. 8 is a rear bottom perspective view thereof;  
FIG. 9 is a bottom plan view thereof; and,  
FIG. 10 is a rear elevation view thereof.

The broken lines in the figures are for illustrative purposes only and represent non-claimed environmental subject matter. Neither the portions of the invention shown in broken lines nor the broken lines themselves form any part of the claimed design.

**1 Claim, 10 Drawing Sheets**



(56)

**References Cited**

U.S. PATENT DOCUMENTS

D777,800 S *	1/2017	Furuki .....	D15/28
9,592,758 B2	3/2017	Mahler et al.	
D782,858 S	4/2017	Okuyama et al.	
D813,916 S	3/2018	Okuyama et al.	
D854,055 S	7/2019	Hiraoka et al.	
D859,475 S	9/2019	Sasaki	
2006/0042857 A1 *	3/2006	Catton .....	B60N 2/77 180/334
2007/0144133 A1 *	6/2007	Drake .....	A01D 34/82 56/323

\* cited by examiner

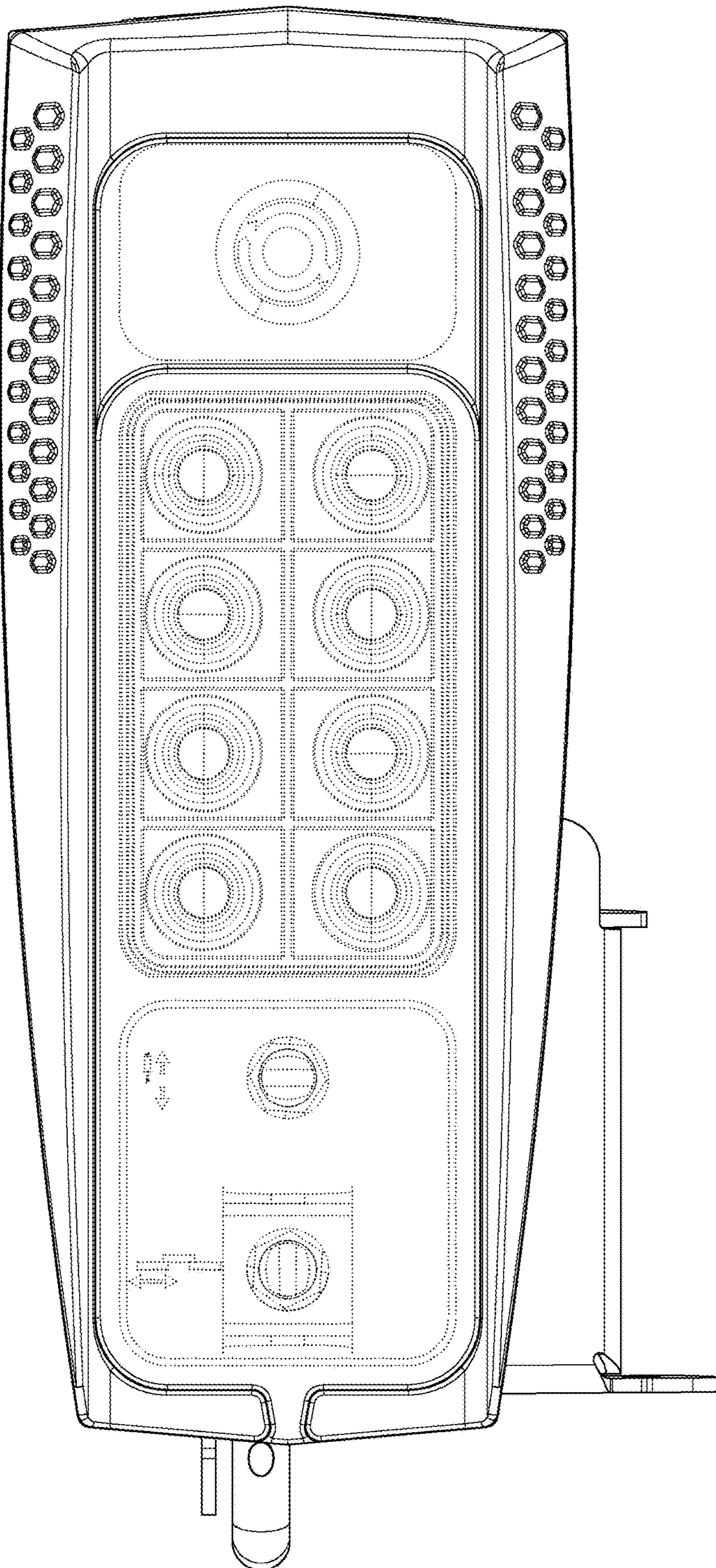


FIG. 1

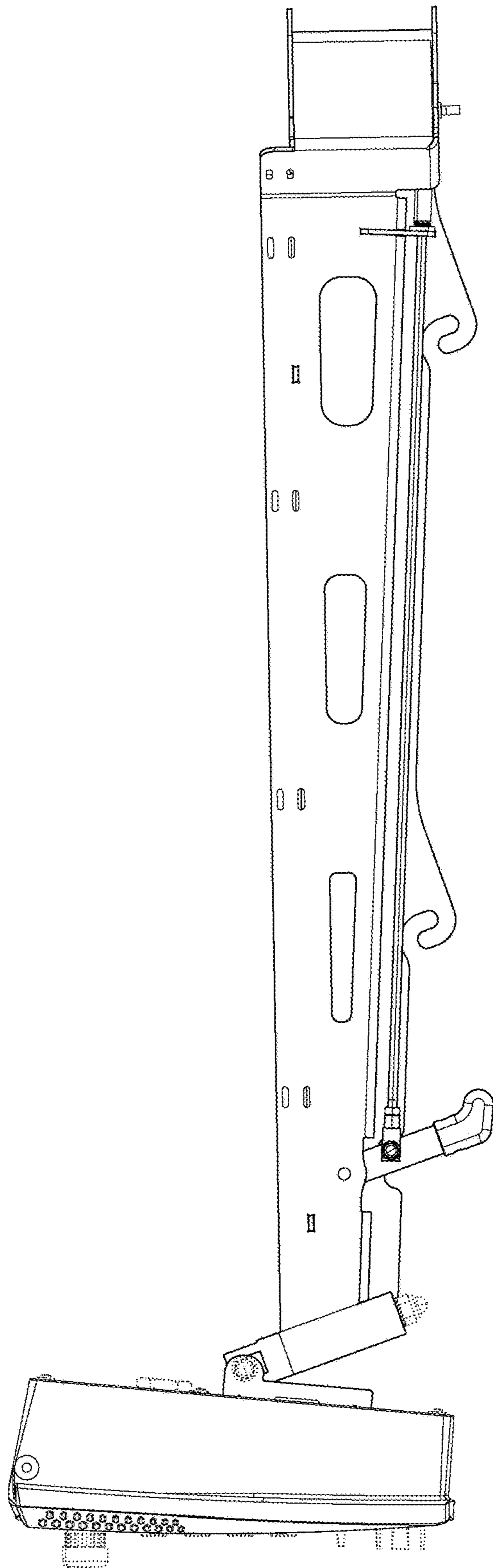


FIG. 2

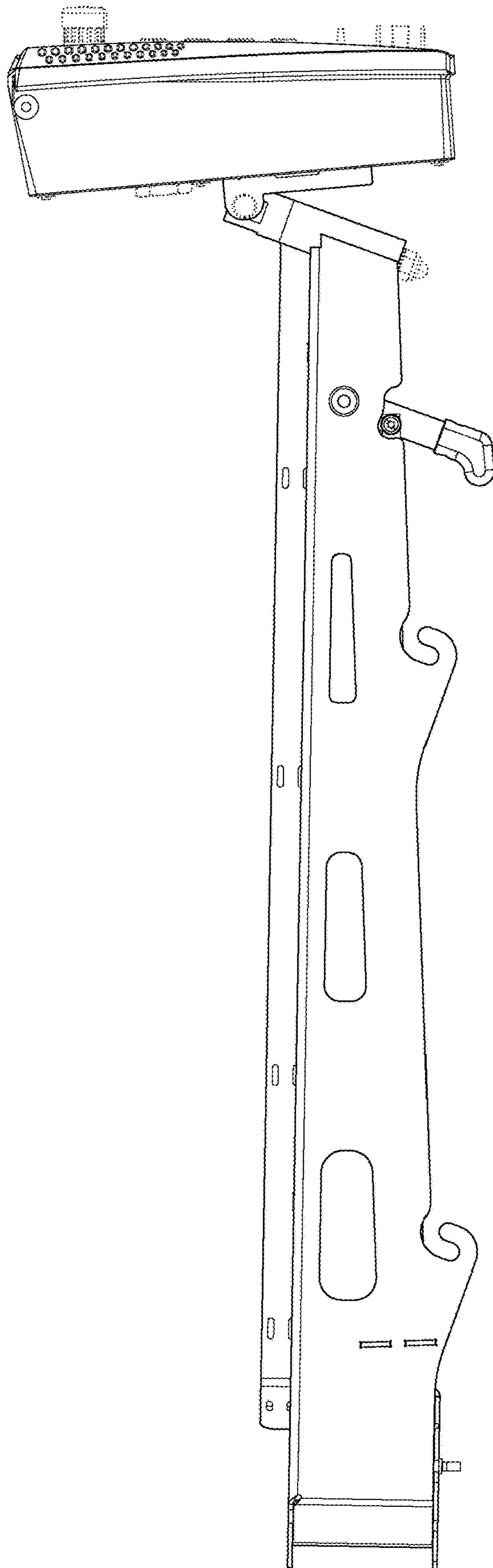


FIG. 3

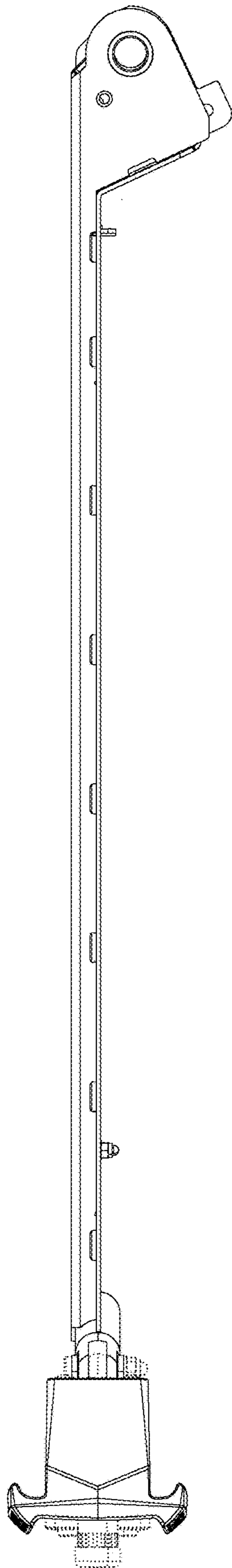


FIG. 4

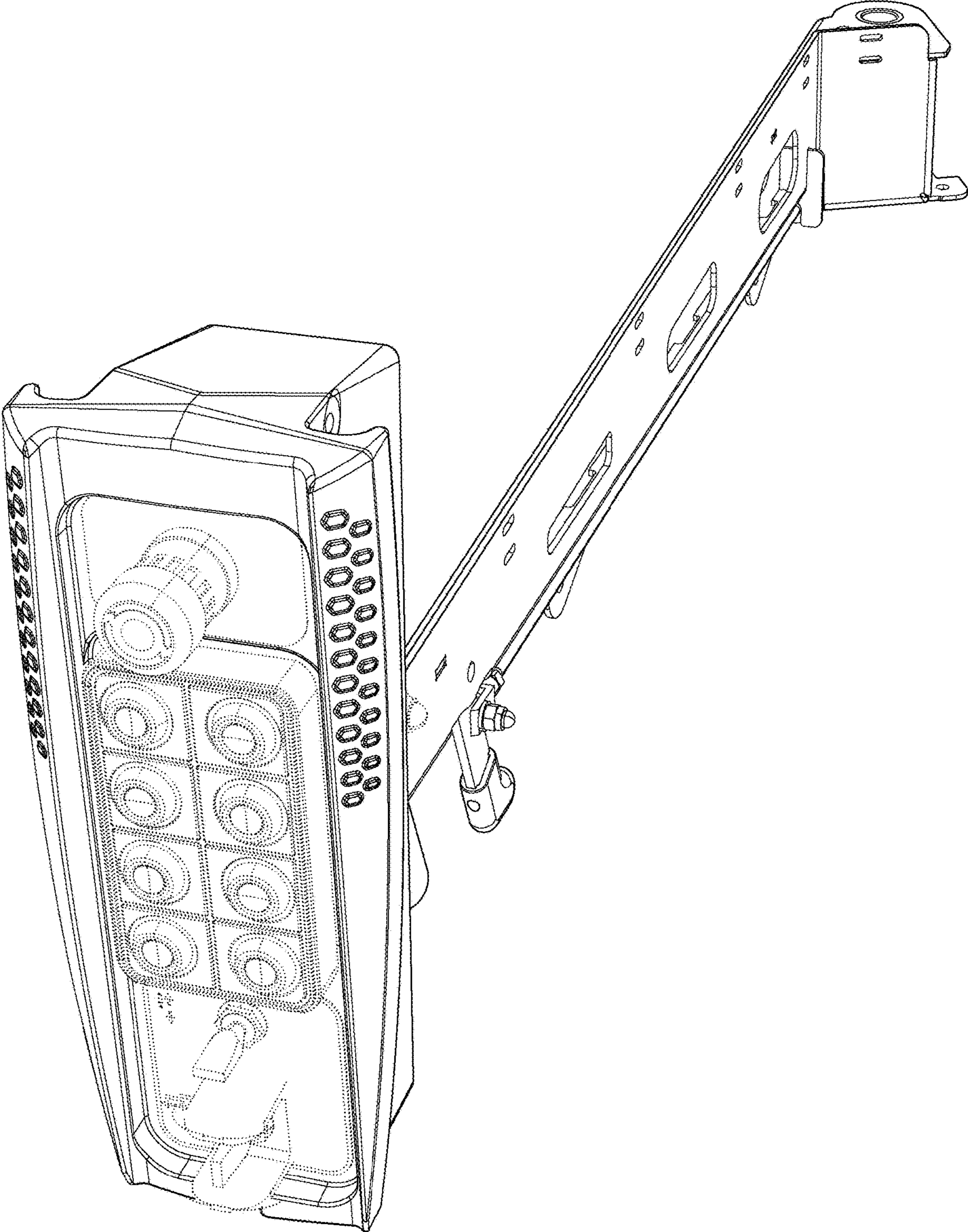


FIG. 5

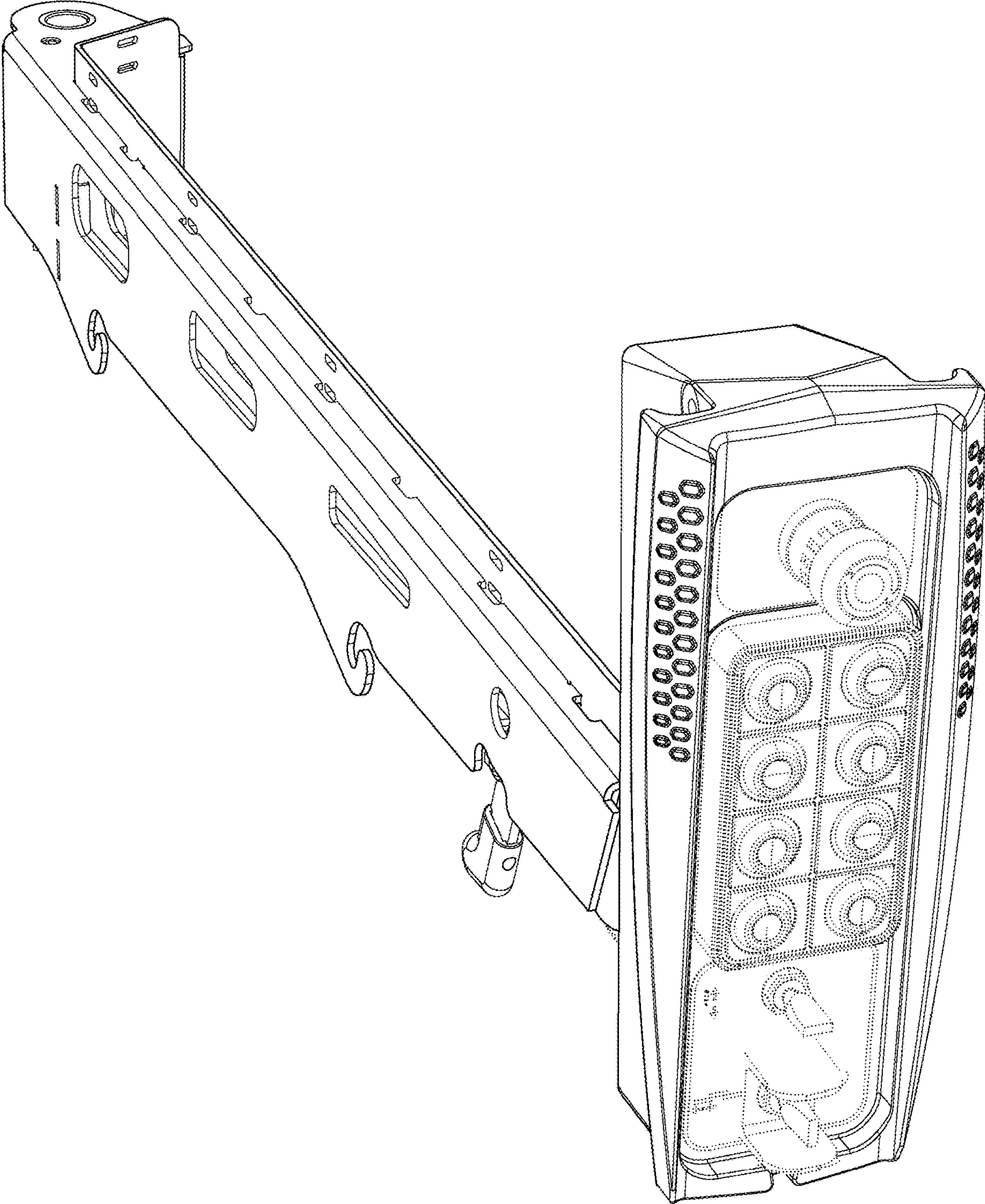


FIG. 6



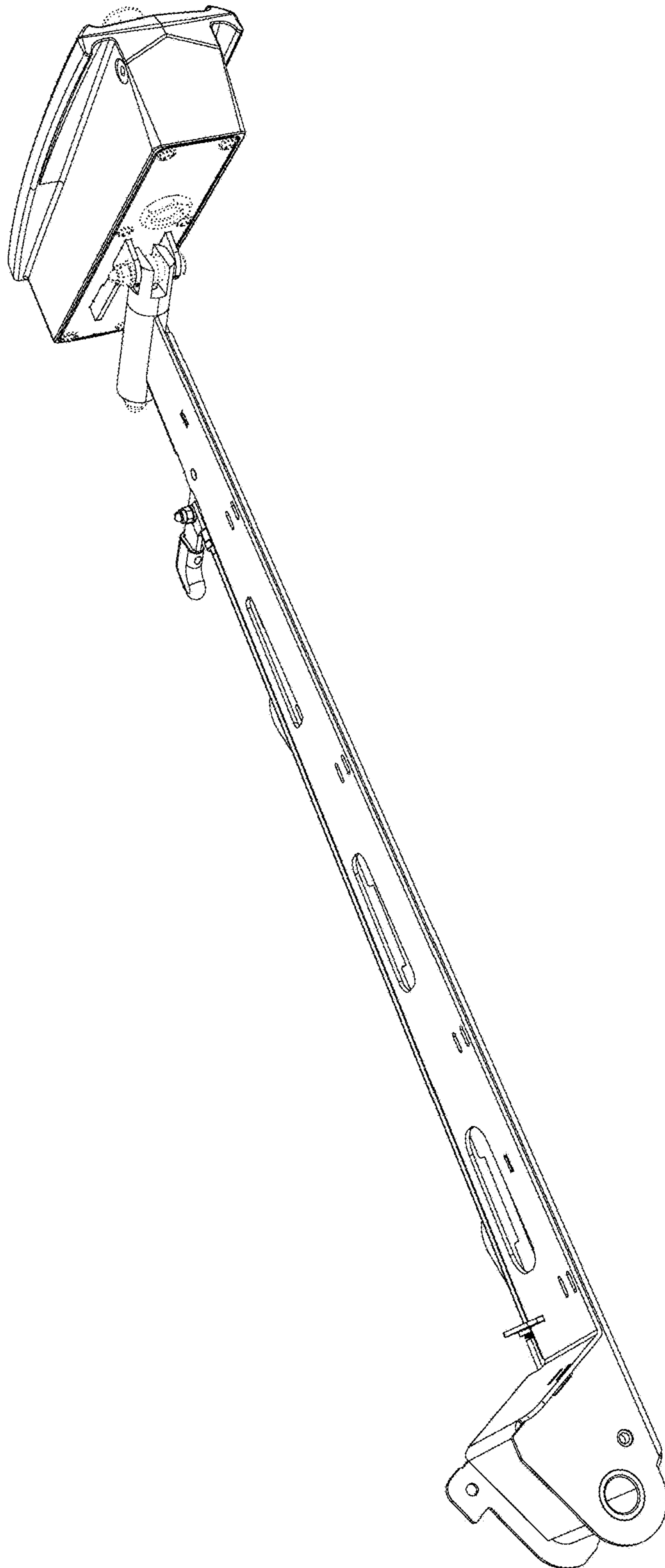


FIG. 7

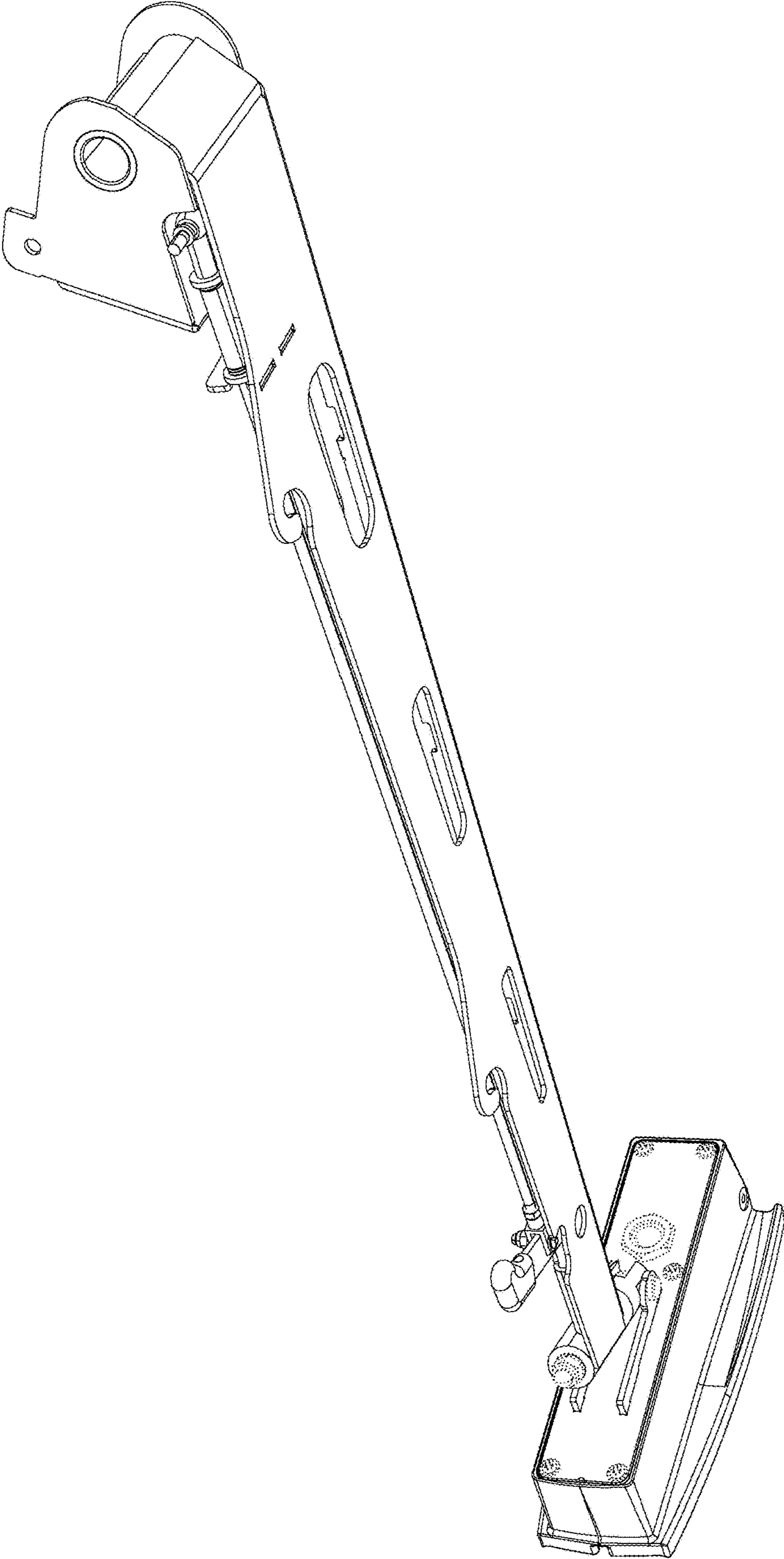


FIG. 8

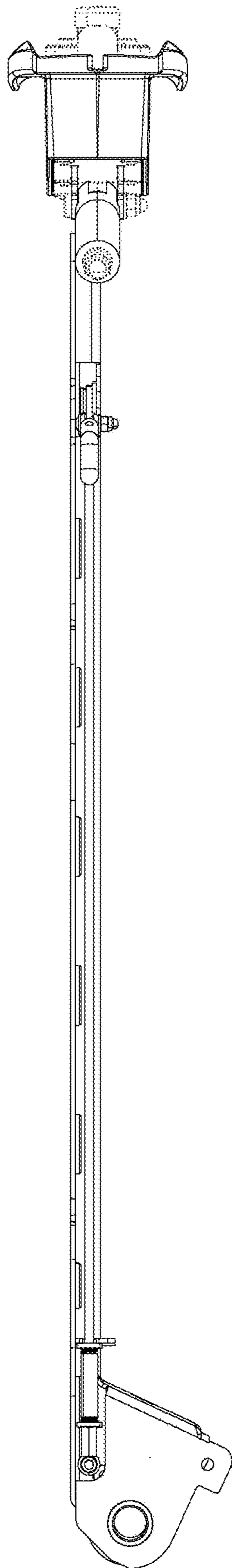


FIG. 9

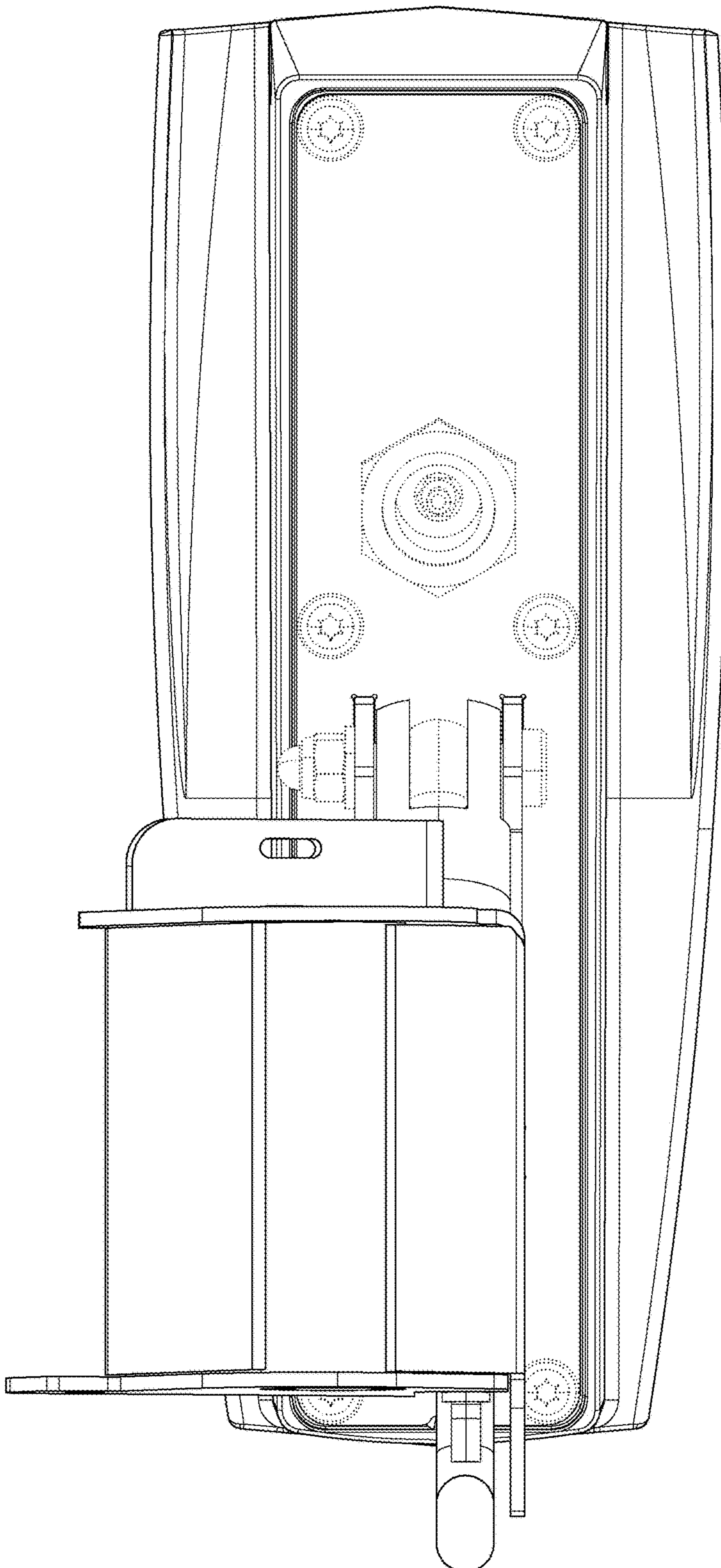


FIG. 10