



US00D904468S

(12) **United States Design Patent** (10) **Patent No.:** **US D904,468 S**
Ju (45) **Date of Patent:** **** Dec. 8, 2020**

(54) **FIXED BRACKET OF HOOK FOR HAY PICK-UP BALER**

(71) Applicant: **Minsu Ju**, Gyeongsangbuk-do (KR)

(72) Inventor: **Minsu Ju**, Gyeongsangbuk-do (KR)

(**) Term: **15 Years**

(21) Appl. No.: **29/696,296**

(22) Filed: **Jun. 26, 2019**

(51) **LOC (12) Cl.** **15-03**

(52) **U.S. Cl.**
USPC **D15/28; D8/349**

(58) **Field of Classification Search**
USPC D15/11, 28, 16, 17, 21, 32; D8/349, 354,
D8/355, 356, 363, 366, 373, 380
CPC A01B 33/106; A01B 33/12; A01B 33/14;
A01B 33/10; A01B 33/00
See application file for complete search history.

D792,197 S * 7/2017 Kundig D8/371
D819,427 S * 6/2018 Mercaldi D8/354
D829,082 S * 9/2018 O'Brien D8/366
D841,695 S * 2/2019 Pirolo D15/5
D881,302 S * 4/2020 Greene D21/694
2005/0194159 A1* 9/2005 Stokes A01C 5/066
172/685
2009/0200052 A1* 8/2009 Stokes A01C 5/066
172/544

* cited by examiner

Primary Examiner — Mark A Goodwin
(74) *Attorney, Agent, or Firm* — Novick, Kim & Lee,
PLLC; Jae Youn Kim; Hyun Woo Shin

(57) **CLAIM**

I claim, the ornamental design for a fixed bracket of hook for hay pick-up baler, as shown and described.

(56) **References Cited**

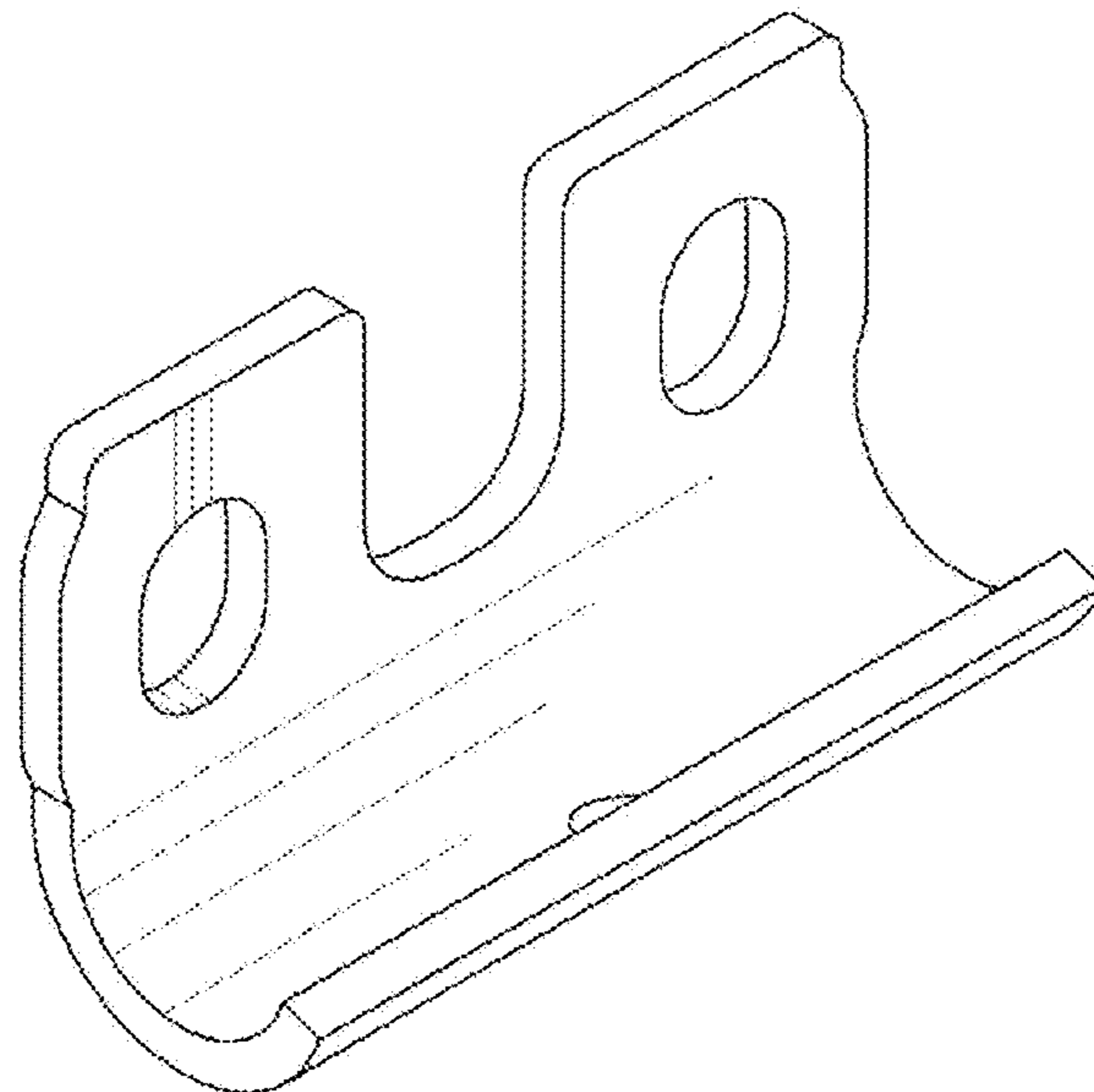
U.S. PATENT DOCUMENTS

D201,638 S * 7/1965 Fenburr et al. D8/371
3,939,918 A * 2/1976 van der Lely A01B 33/106
172/49.5
D311,484 S * 10/1990 Sachs D8/367
D312,039 S * 11/1990 Smith D8/363
D327,001 S * 6/1992 Oosterhuis D8/373
D354,294 S * 1/1995 Lee D15/143
D408,716 S * 4/1999 Vesledahl D8/354
D423,328 S * 4/2000 Burrows D8/354
D470,391 S * 2/2003 Adams D8/349
D547,641 S * 7/2007 Jueneman D8/382
D580,734 S * 11/2008 Martin D8/307
7,520,338 B2 * 4/2009 Stokes A01C 5/066
172/142
7,775,293 B2 * 8/2010 Stokes A01C 5/066
172/142
D649,016 S * 11/2011 Rasmussen D8/354
D650,082 S * 12/2011 Roggenkamp D24/184

DESCRIPTION

FIG. 1 is a front perspective view of a fixed bracket of hook for hay pick-up baler showing my new design;
FIG. 2 is a front elevational view thereof;
FIG. 3 is a rear elevational view thereof;
FIG. 4 is a left side elevational view thereof;
FIG. 5 is a right side elevational view thereof;
FIG. 6 is a top plan view thereof;
FIG. 7 is a bottom plan view thereof;
FIG. 8 is a rear perspective view thereof;
FIG. 9 is a bottom perspective view thereof;
FIG. 10 is a front perspective reference view thereof connected into a pair of hooks; and,
FIG. 11 is rear perspective reference view thereof.
The broken lines shown in the drawings show environmental structure which form no part of the claimed design.

1 Claim, 8 Drawing Sheets



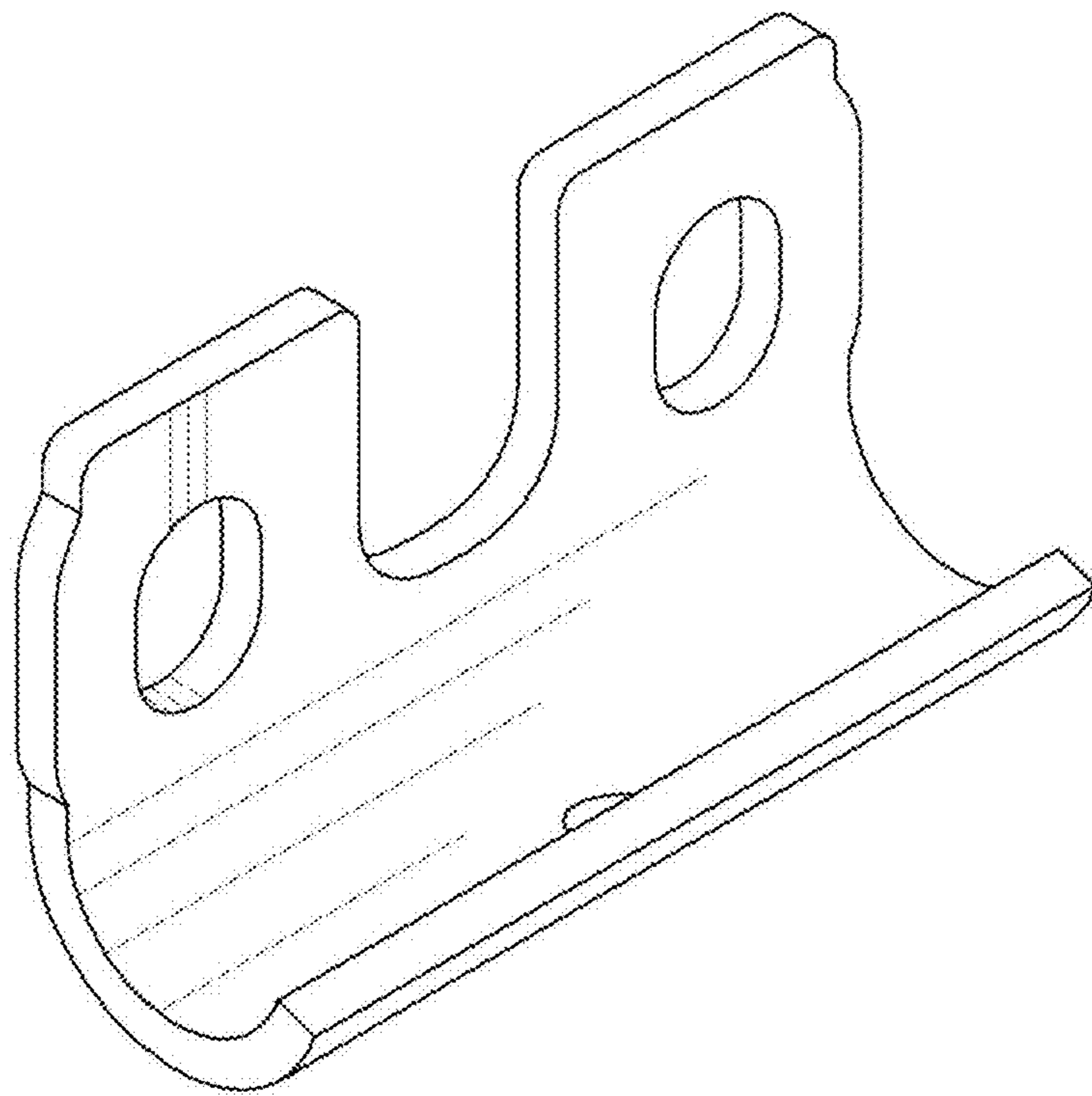


FIG. 1

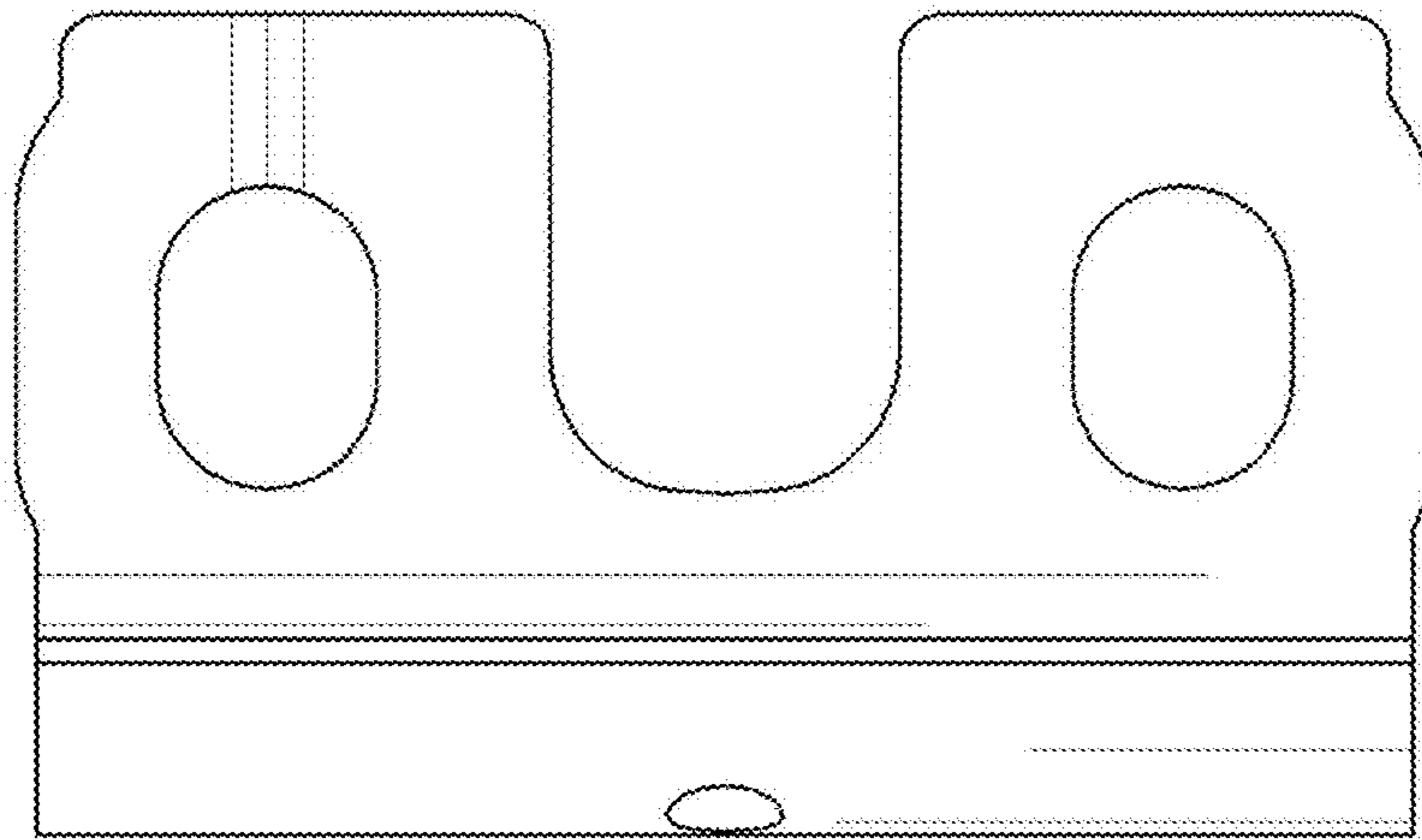


FIG. 2

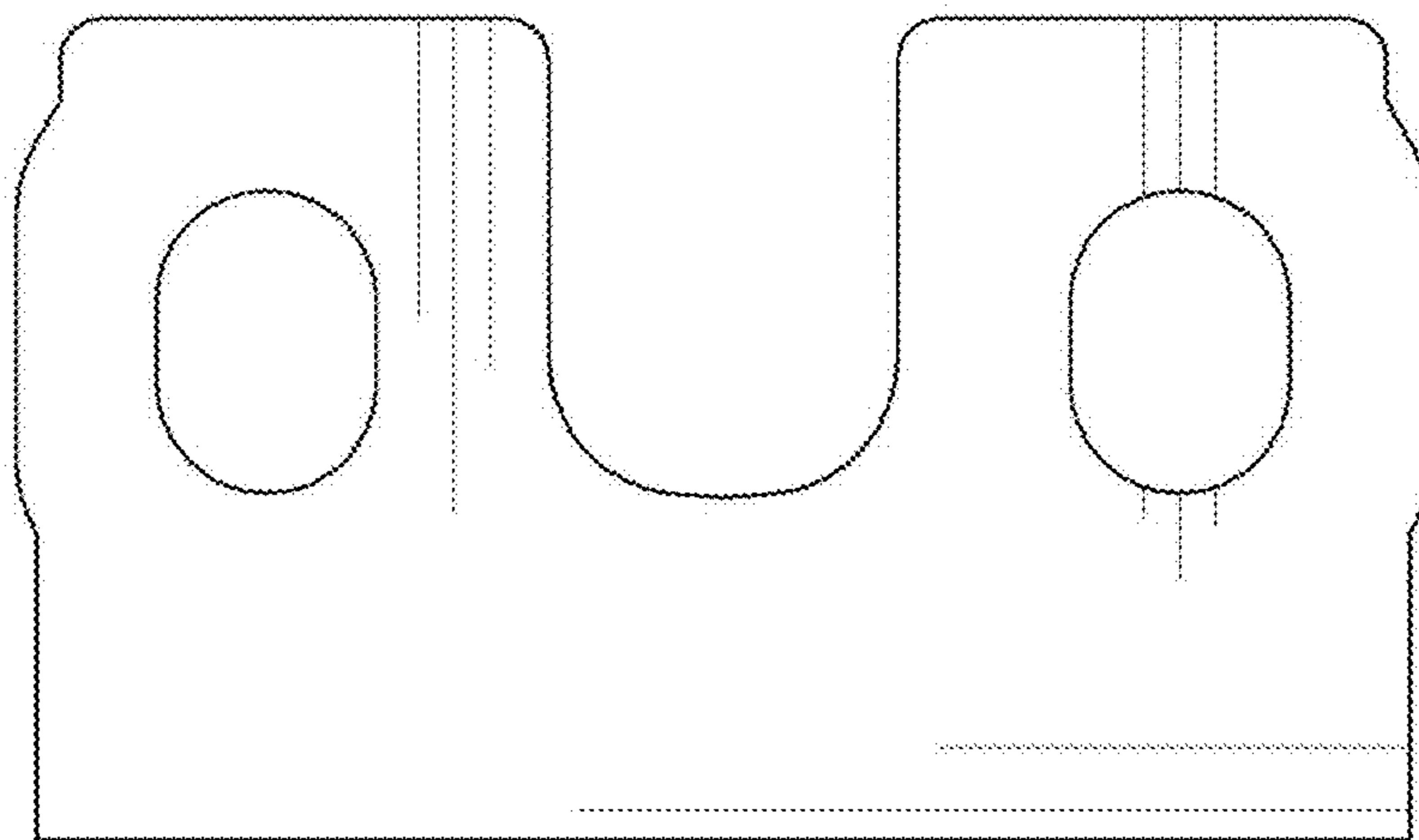


FIG. 3

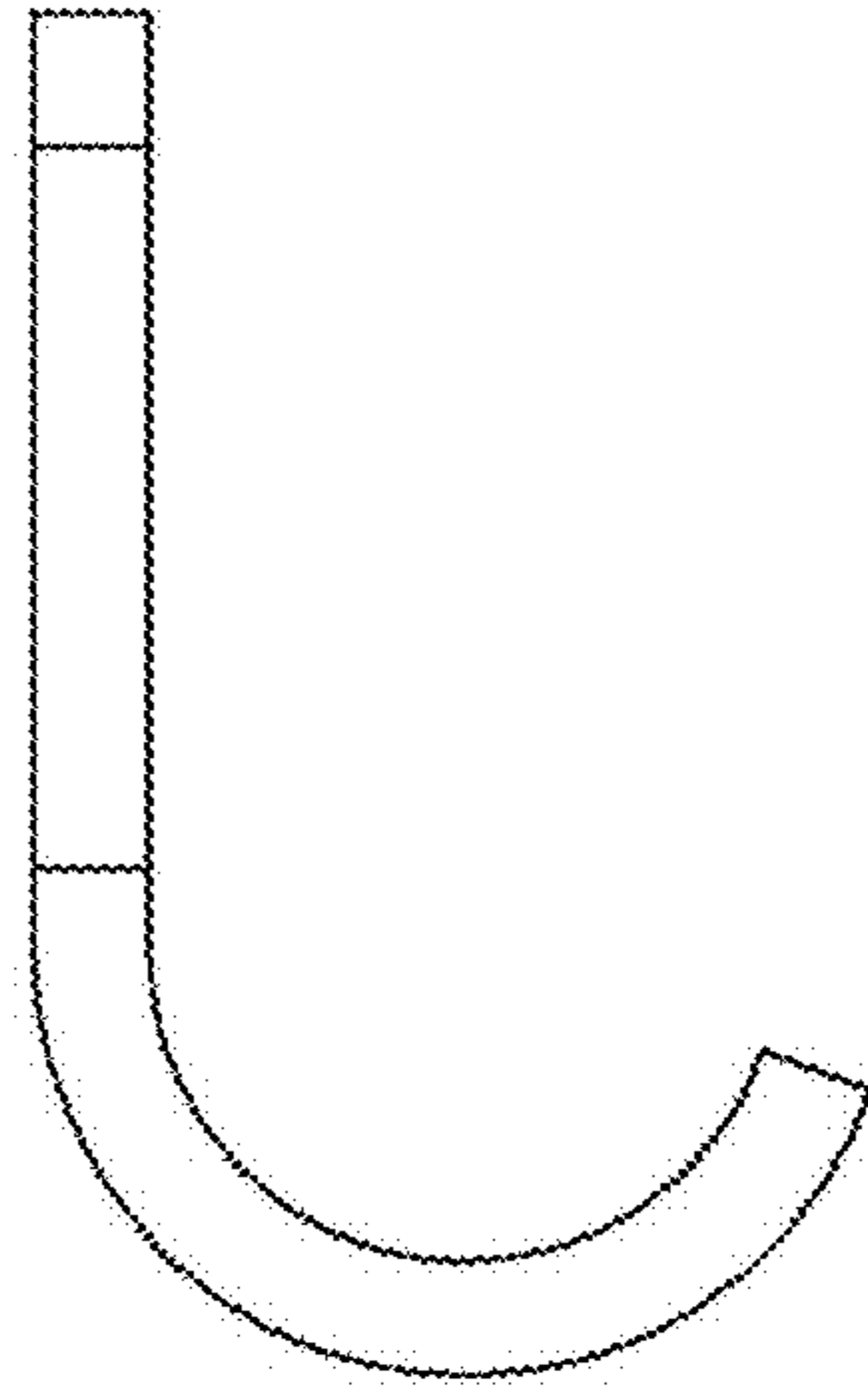


FIG. 4

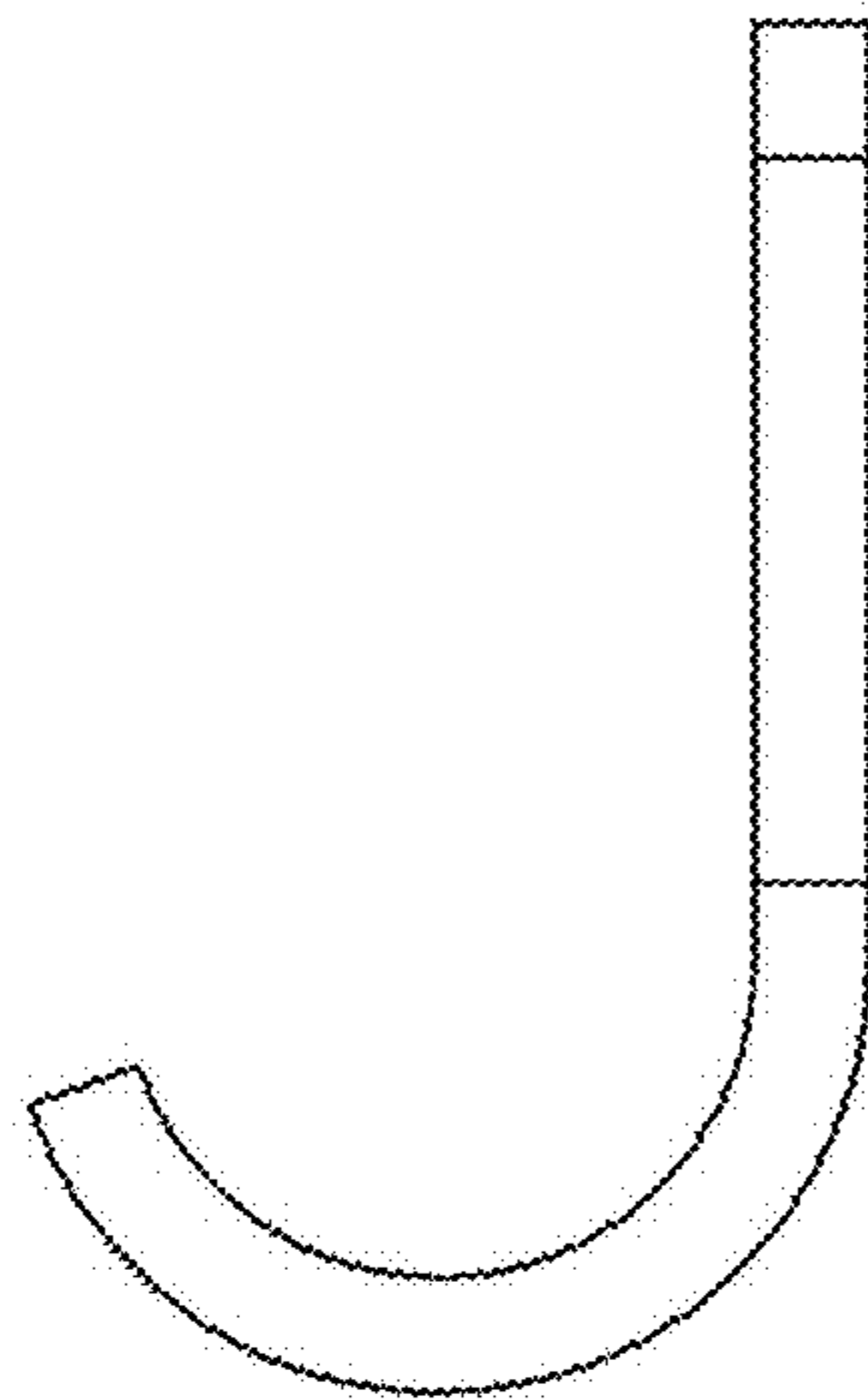


FIG. 5

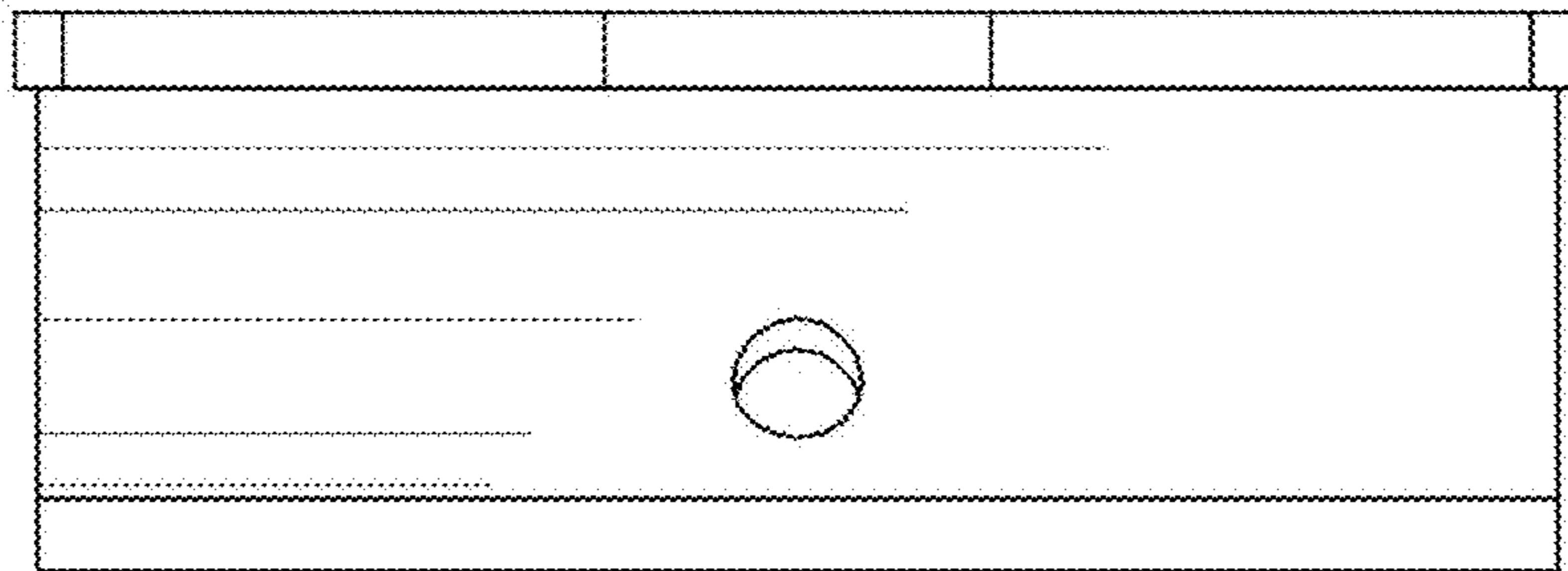


FIG. 6

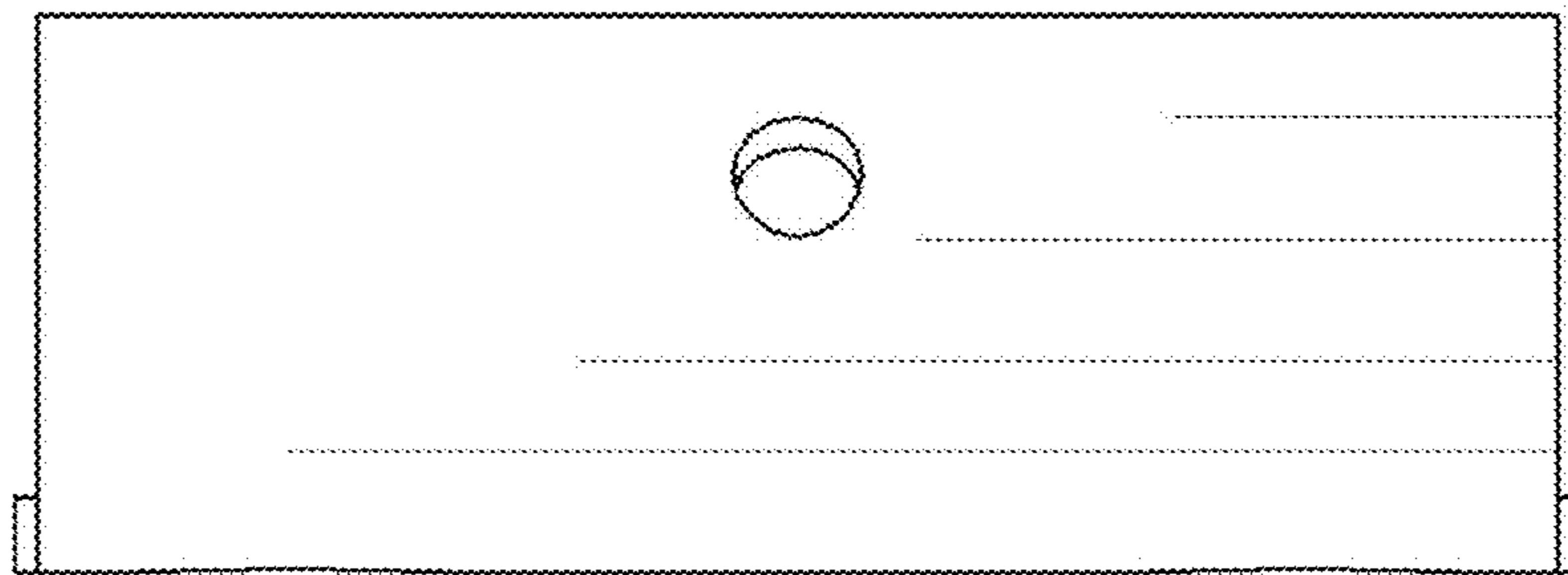


FIG. 7

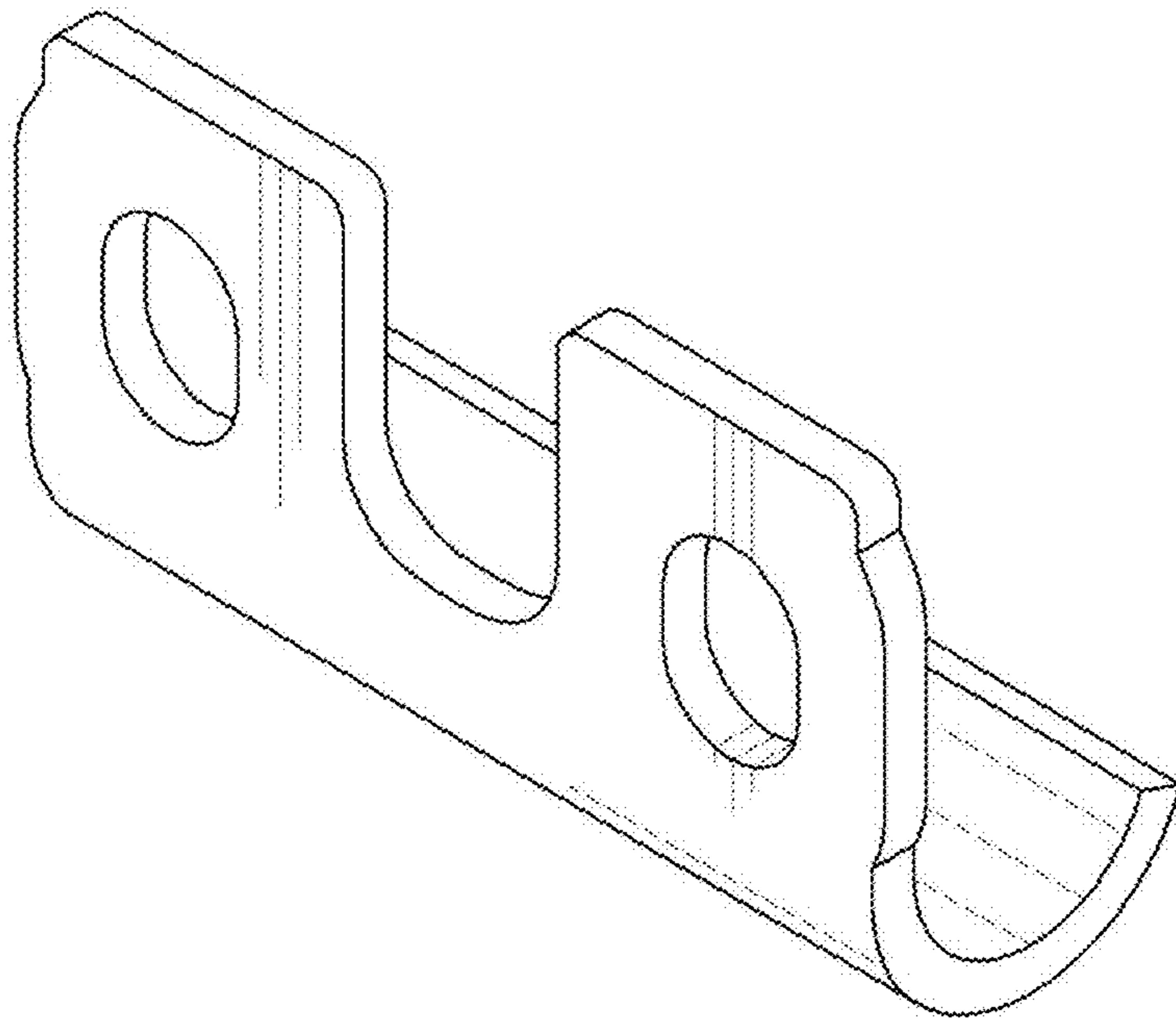


FIG. 8

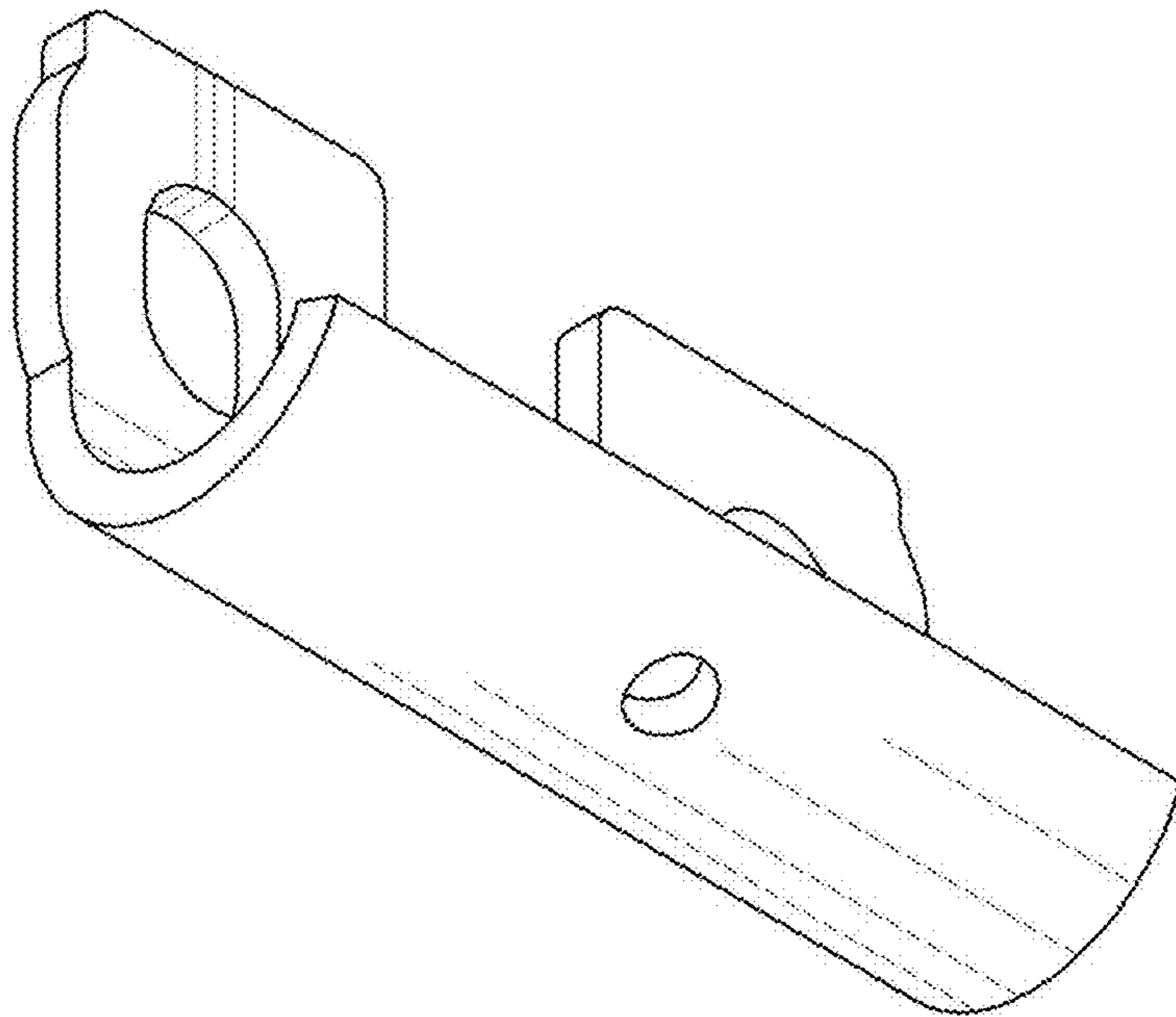


FIG. 9

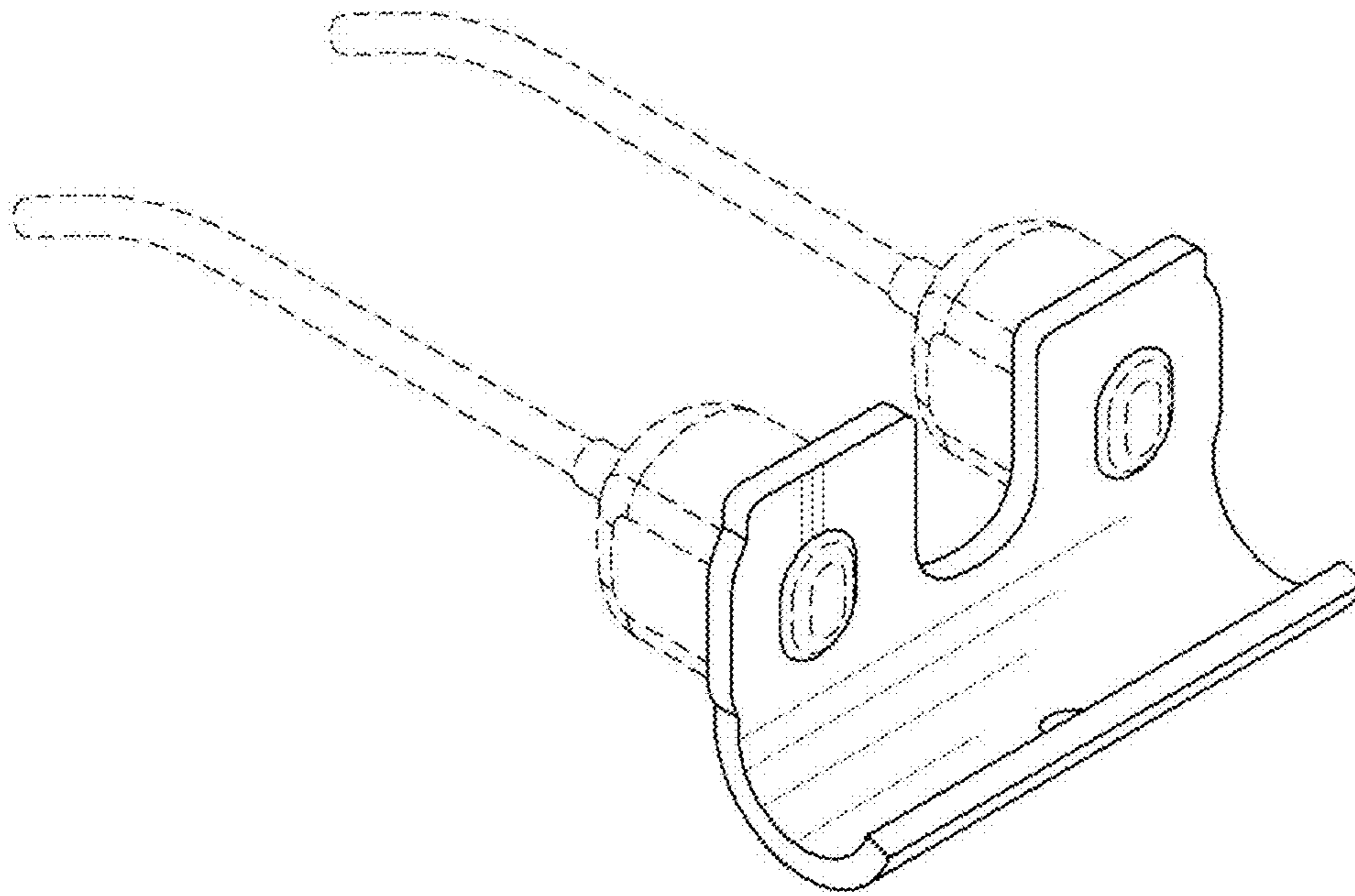


FIG. 10

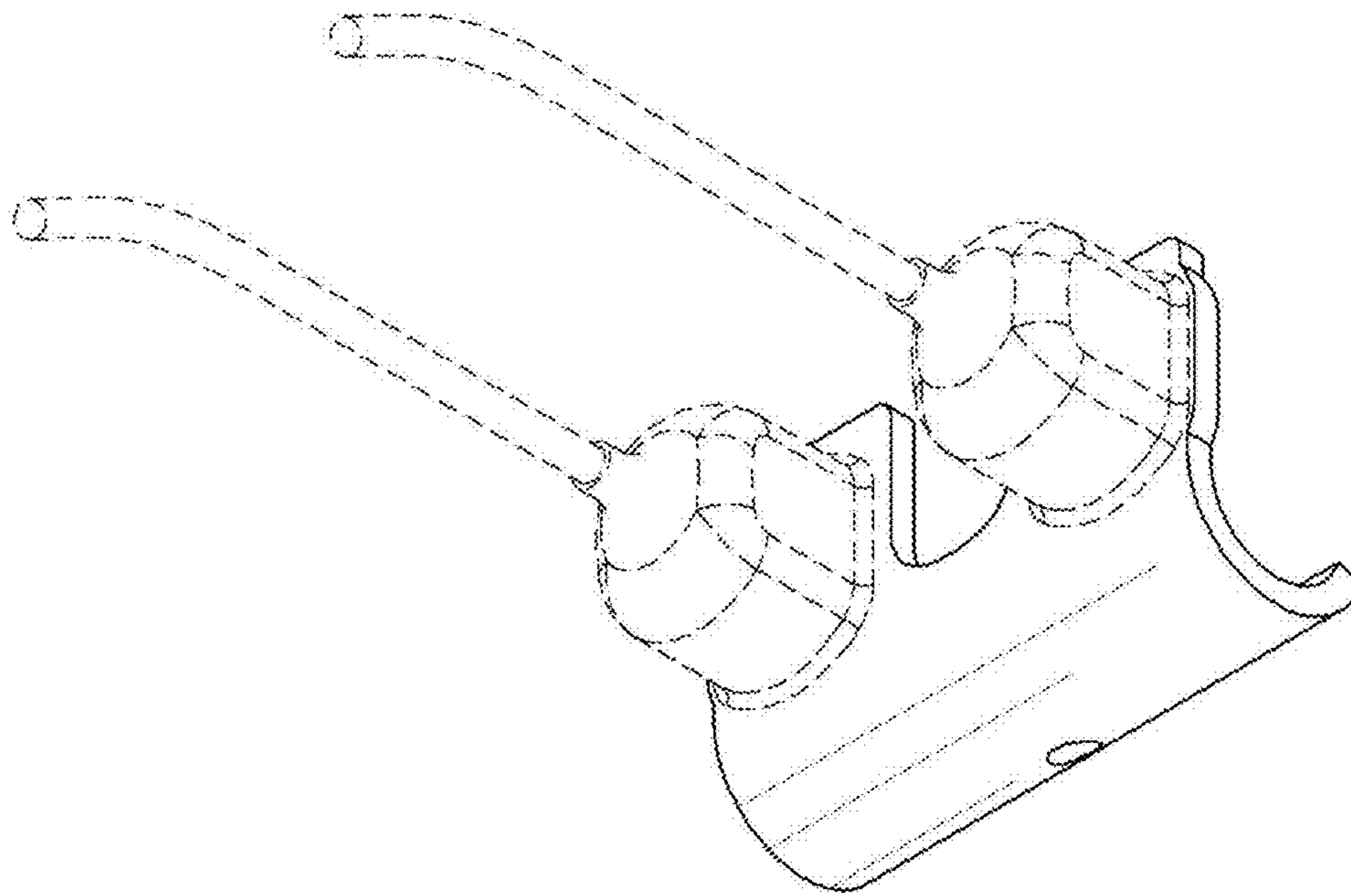


FIG. 11