



US00D904467S

(12) **United States Design Patent** (10) **Patent No.:** **US D904,467 S**  
**Iwamoto et al.** (45) **Date of Patent:** **\*\* Dec. 8, 2020**

(54) **WHEEL LOADER**

(56) **References Cited**

(71) Applicant: **KUBOTA CORPORATION**, Osaka (JP)  
(72) Inventors: **Teruhiko Iwamoto**, Osaka (JP); **Taiki Furuki**, Osaka (JP); **Toshihiro Nakao**, Osaka (JP); **Tetsuji Matsushita**, Osaka (JP)  
(73) Assignee: **Kubota Corporation**, Osaka (JP)  
(\*\*) Term: **15 Years**  
(21) Appl. No.: **35/507,214**  
(22) Filed: **Feb. 8, 2019**  
(80) **Hague Agreement Data**  
Int. Filing Date: **Feb. 8, 2019**  
Int. Reg. No.: **DM/201261**  
Int. Reg. Date: **Feb. 8, 2019**  
Int. Reg. Pub. Date: **Aug. 9, 2019**

U.S. PATENT DOCUMENTS

D326,858 S *	6/1992	Skeel .....	D15/25
D364,408 S *	11/1995	Bryant .....	D15/25
D405,807 S *	2/1999	Amy .....	D15/25
D410,930 S *	6/1999	Kim .....	D15/25
D540,352 S *	4/2007	Sato .....	D15/25
D549,738 S *	8/2007	Hiraoka .....	D15/25
D590,846 S *	4/2009	Kinsinger .....	D15/22
D636,000 S *	4/2011	Kim .....	D15/25
D652,061 S *	1/2012	Hiraoka .....	D15/23
D652,062 S *	1/2012	Hiraoka .....	D15/23
D693,853 S *	11/2013	Hiraoka .....	D15/23
D705,273 S	5/2014	Furuki et al.	
D708,232 S *	7/2014	Furuki .....	D15/23
D742,424 S *	11/2015	Turner .....	D15/25
D747,747 S *	1/2016	Turner .....	D15/25
D747,748 S *	1/2016	Ballowe .....	D15/32
D749,645 S *	2/2016	Okuyama .....	D15/26
D756,420 S *	5/2016	Okuyama .....	D15/23
D756,421 S *	5/2016	Okuyama .....	D15/26
D758,457 S *	6/2016	Okuyama .....	D15/23
D759,730 S *	6/2016	Okuyama .....	D15/26
D819,087 S *	5/2018	Ulmefors .....	D15/25
D819,089 S *	5/2018	Ulmefors .....	D15/28
D819,090 S *	5/2018	Ulmefors .....	D15/31

(Continued)

(30) **Foreign Application Priority Data**

Aug. 9, 2018 (JP) ..... 2018-017531  
Aug. 9, 2018 (JP) ..... 2018-017532  
Aug. 9, 2018 (JP) ..... 2018-017533

*Primary Examiner* — Richard E Chilcot  
(74) *Attorney, Agent, or Firm* — The Webb Law Firm

(57) **CLAIM**

The ornamental design for a wheel loader, as shown and described.

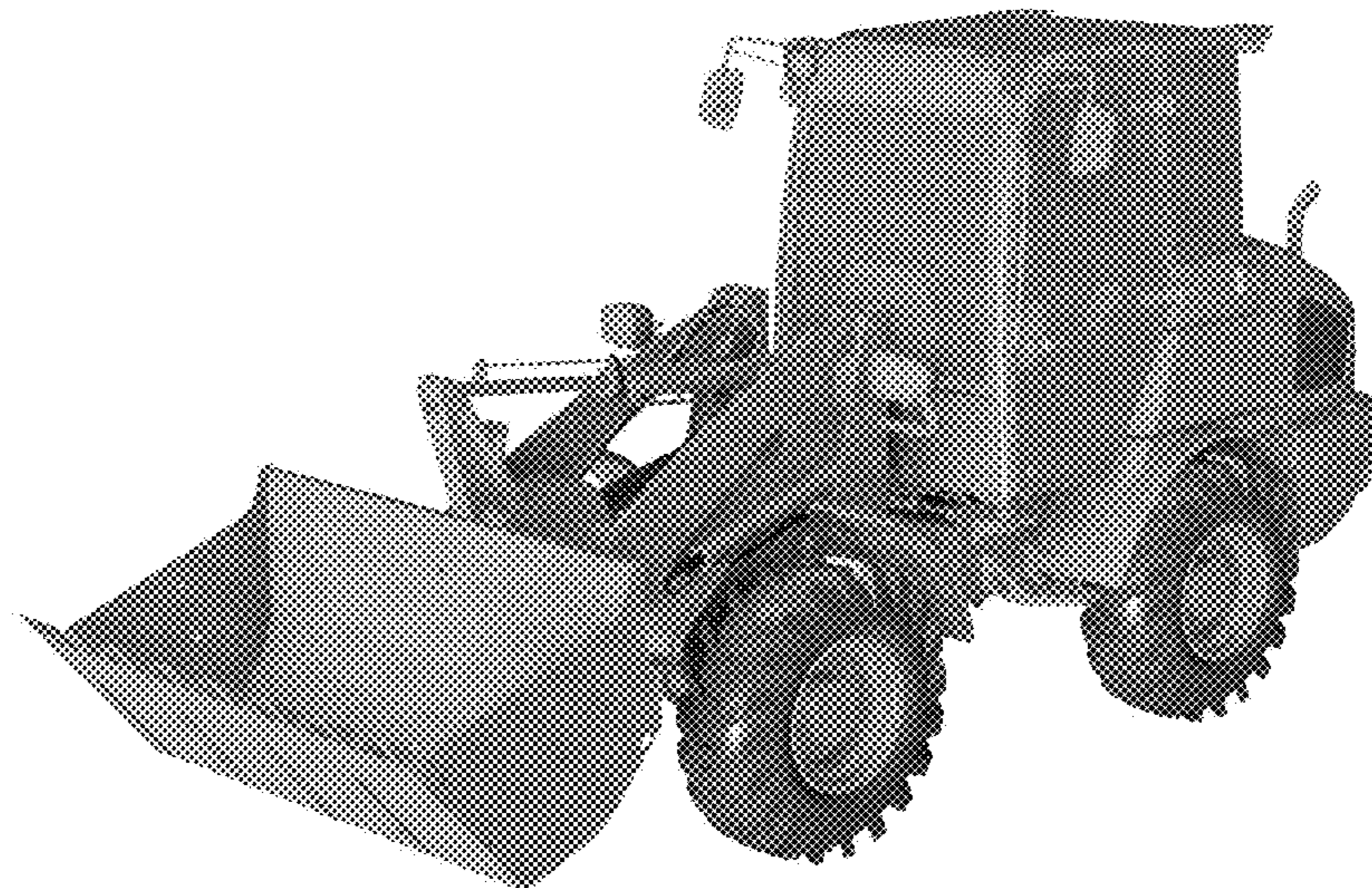
(51) **LOC (12) Cl.** ..... **12-05**  
(52) **U.S. Cl.**  
USPC ..... **D15/23**  
CPC ..... **E02F 9/0841** (2013.01)  
(58) **Field of Classification Search**  
USPC ..... D15/10, 22-26, 33; D21/431; 37/409,  
37/442, 443; 180/89.1-89.13;  
296/190.03; 414/685, 694, 722, 724  
CPC ..... E02F 9/0841; E02F 3/3411; E02F 3/76;  
E02F 3/34; E02F 3/00; E02F 7/00; B62D  
21/186; B62D 53/028

**DESCRIPTION**

- 1. Wheel loader
- 1.1 : Front
- 1.2 : Back
- 1.3 : Left
- 1.4 : Right
- 1.5 : Top
- 1.6 : Perspective
- 1.7 : Perspective

See application file for complete search history.

**1 Claim, 7 Drawing Sheets**



(56)

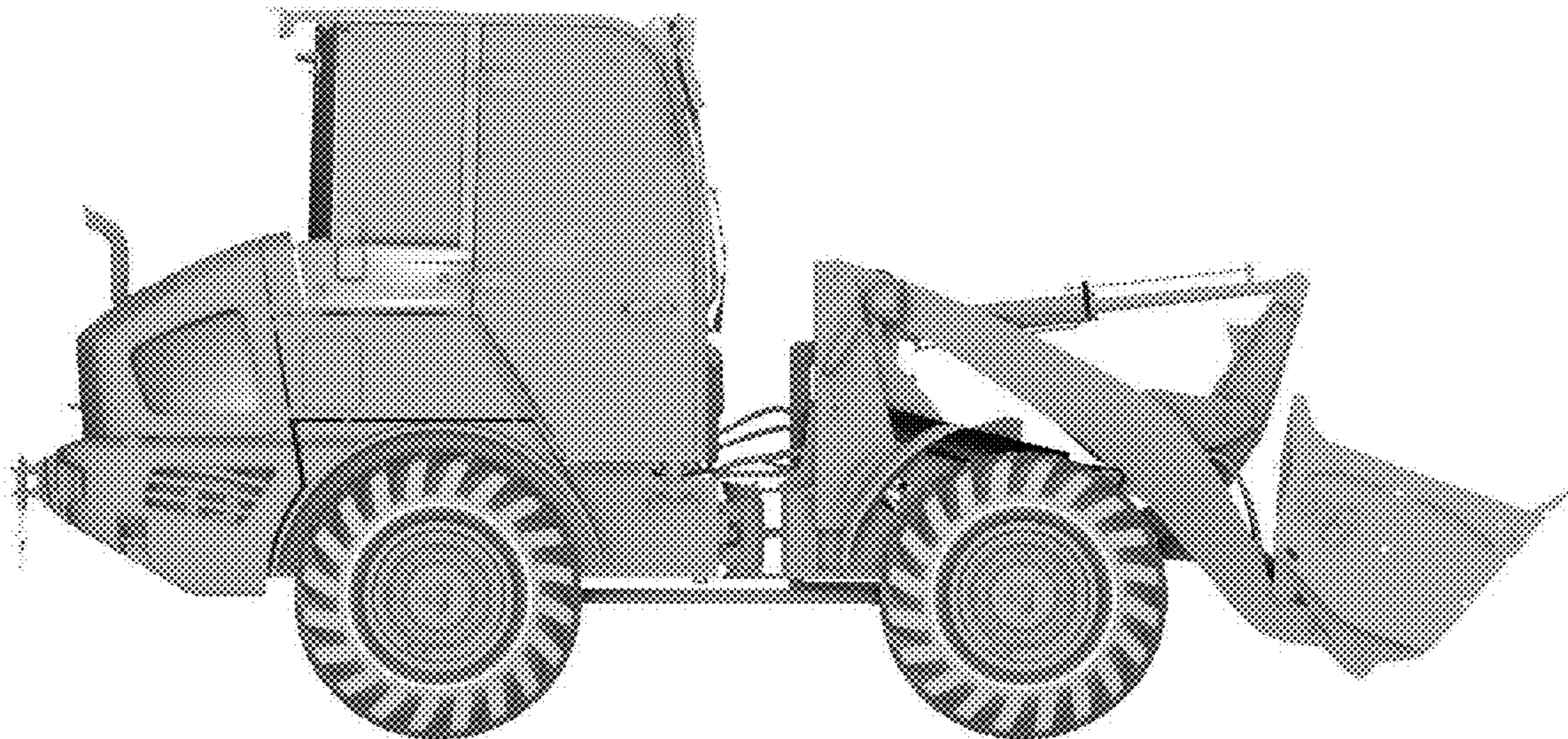
**References Cited**

U.S. PATENT DOCUMENTS

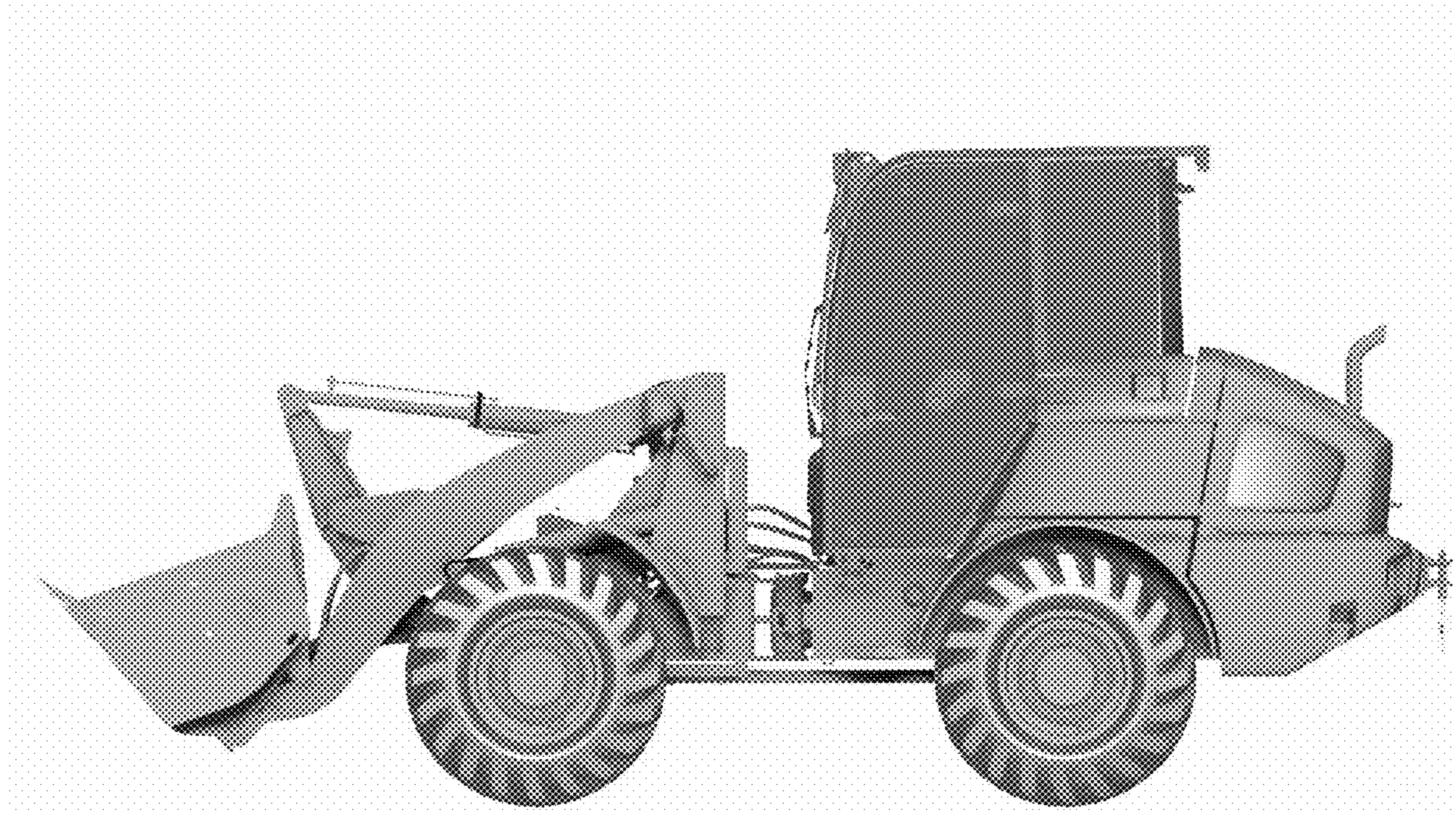
D819,705 S *	6/2018	Ulmefors .....	D15/25
D819,707 S *	6/2018	Ulmefors .....	D15/28
D819,708 S *	6/2018	Ulmefors .....	D15/31
D828,406 S *	9/2018	van der Zande .....	D15/23
D855,659 S *	8/2019	Kasaba .....	D15/23

\* cited by examiner

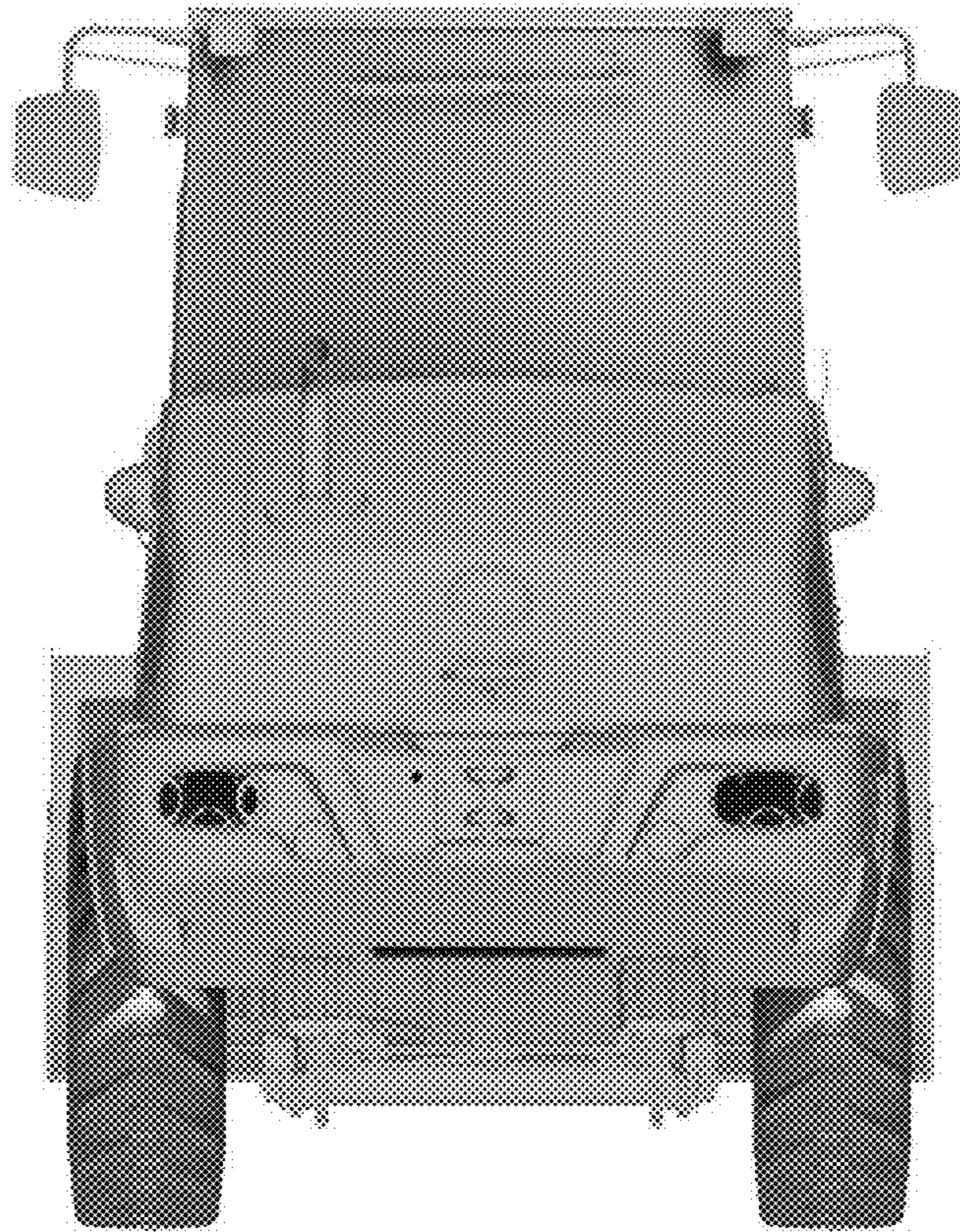
1.1



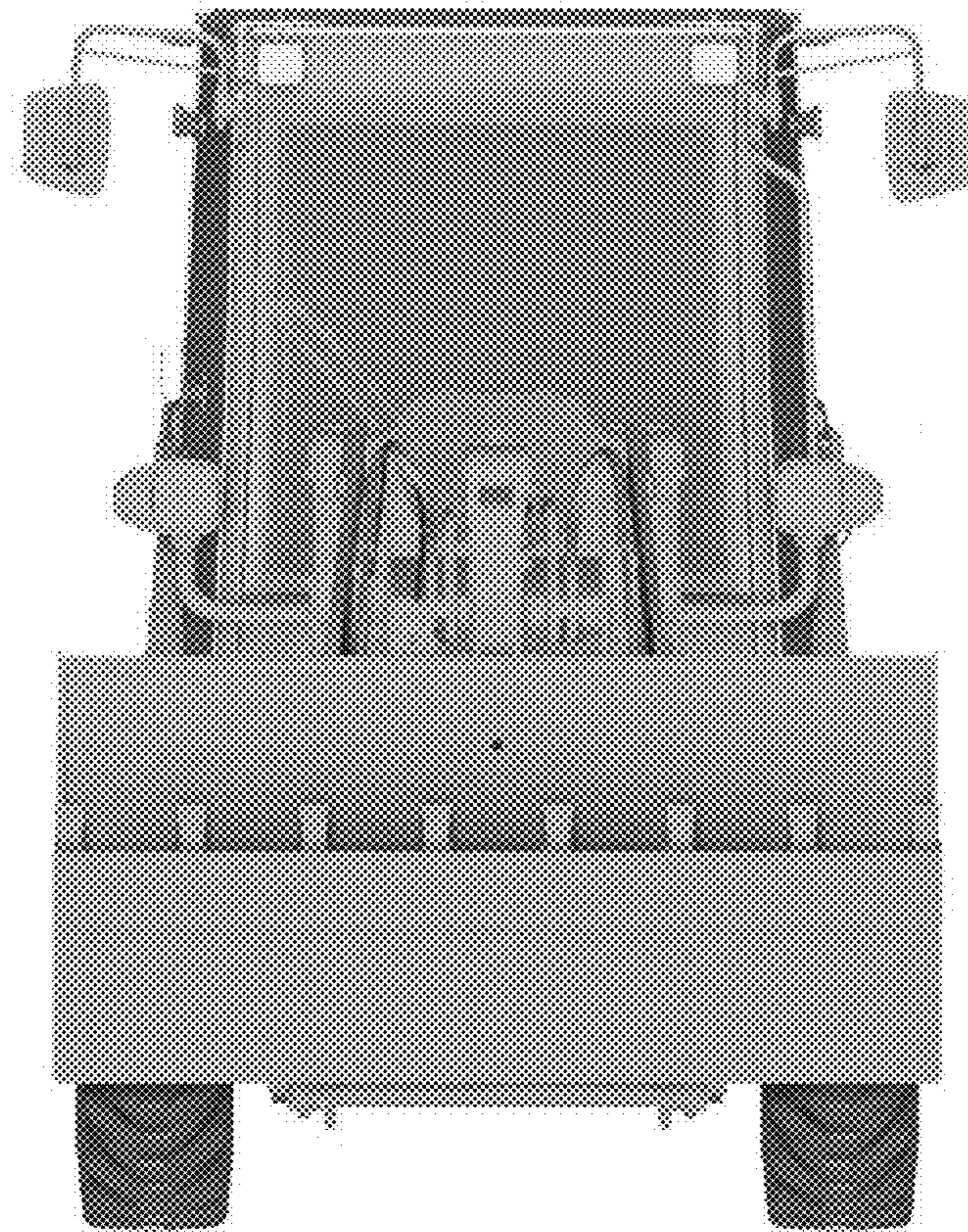
1.2



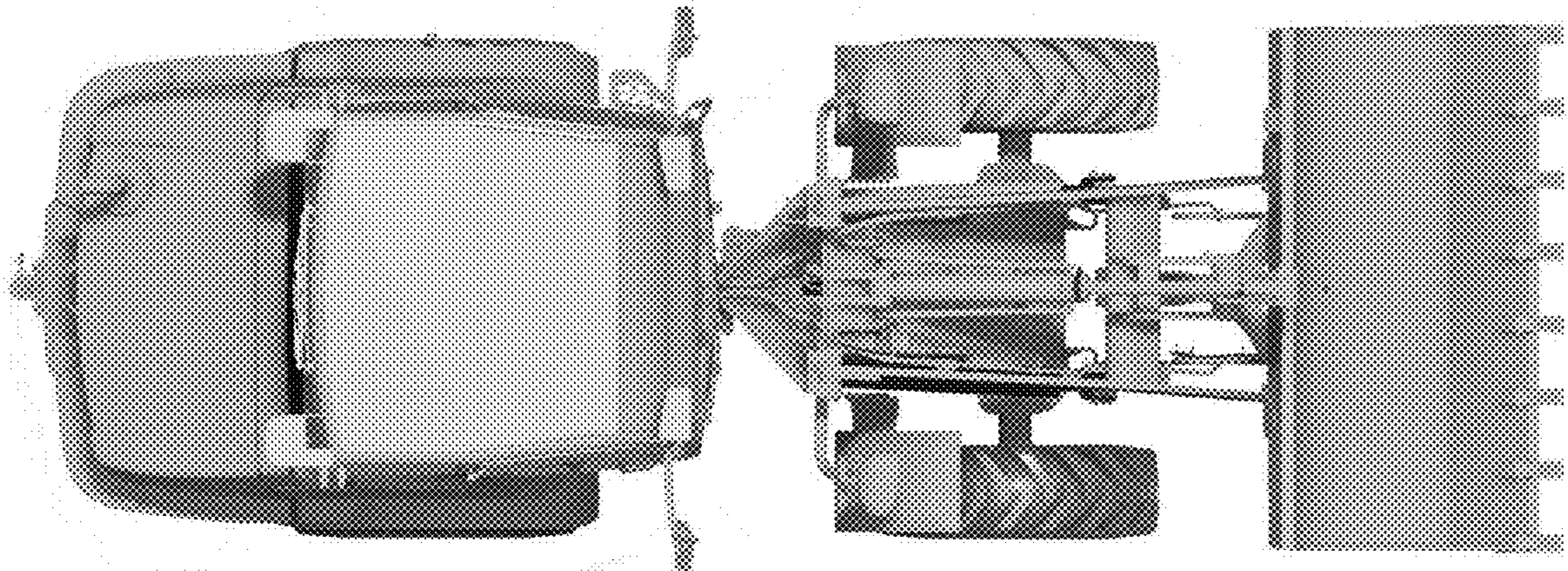
1.3



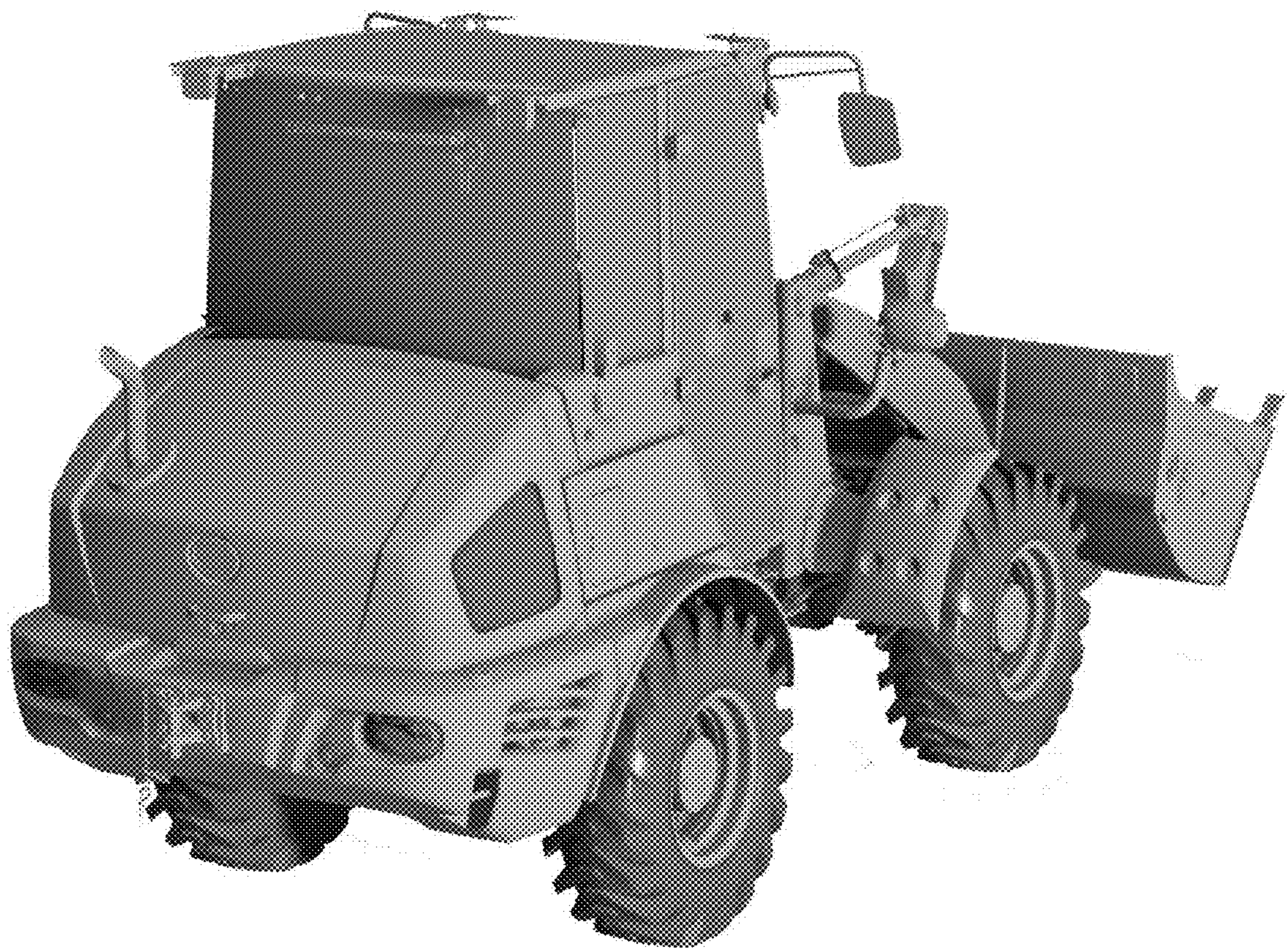
1.4



1.5



1.6





1.7

