



US00D904465S

(12) **United States Design Patent**
Schlenker

(10) **Patent No.:** **US D904,465 S**

(45) **Date of Patent:** **** Dec. 8, 2020**

(54) **PUMP FOR PETROL OR FUEL SERVICE STATION**

(71) Applicant: **Rudolf Schlenker**, Weggis (CH)

(72) Inventor: **Rudolf Schlenker**, Weggis (CH)

(**) Term: **15 Years**

(21) Appl. No.: **35/507,311**

(22) Filed: **Jan. 16, 2019**

(80) **Hague Agreement Data**

Int. Filing Date: **Jan. 16, 2019**

Int. Reg. No.: **DM/202415**

Int. Reg. Date: **Jan. 16, 2019**

Int. Reg. Pub. Date: **Aug. 23, 2019**

(51) **LOC (12) Cl.** **15-03**

(52) **U.S. Cl.**
USPC **D15/9**

(58) **Field of Classification Search**

USPC D15/7-9.1

CPC F02M 37/04; F02M 37/14; F04B 53/92;

F04B 1/005; F04D 13/06; F04D 29/22;

F04D 29/046; F04D 29/2266

See application file for complete search history.

(56) **References Cited**

U.S. PATENT DOCUMENTS

D342,742 S * 12/1993 Daul D23/226

D350,386 S * 9/1994 Dotson D23/223

D355,703 S * 2/1995 Duell D23/213

D355,704 S * 2/1995 Simpsom D23/223

D359,100 S * 6/1995 Dotson D23/223

D366,310 S * 1/1996 Fell D23/227

D417,483 S * 12/1999 Cornford D23/213

D519,379 S * 4/2006 Carlton D9/528

D579,078 S * 10/2008 Deline D23/223

D654,820 S * 2/2012 D'Angelo D10/101

D684,664 S * 6/2013 Gevers D23/226

D728,736 S * 5/2015 Dhuru D23/213

D738,461 S * 9/2015 Laux D23/213

D775,541 S * 1/2017 Ku D10/101

D855,671 S * 8/2019 Norman D15/150

D866,607 S * 11/2019 Helgesson D15/9.2

D868,842 S * 12/2019 Morris D15/9

D878,426 S * 3/2020 Gernheuser D15/9

* cited by examiner

Primary Examiner — Khawaja Anwar

(74) *Attorney, Agent, or Firm* — Volpe Koenig

(57) **CLAIM**

The ornamental design for a pump for petrol or fuel service station, as shown and described.

DESCRIPTION

1.-3. Pump for petrol or fuel

1.1 : Perspective

1.2 : Front

1.3 : Back

1.4 : Right

1.5 : Left

1.6 : Top

1.7 : Bottom

2.1 : Perspective

2.2 : Front

2.3 : Back

2.4 : Right

2.5 : Left

2.6 : Top

2.7 : Bottom

3.1 : Perspective

3.2 : Front

3.3 : Back

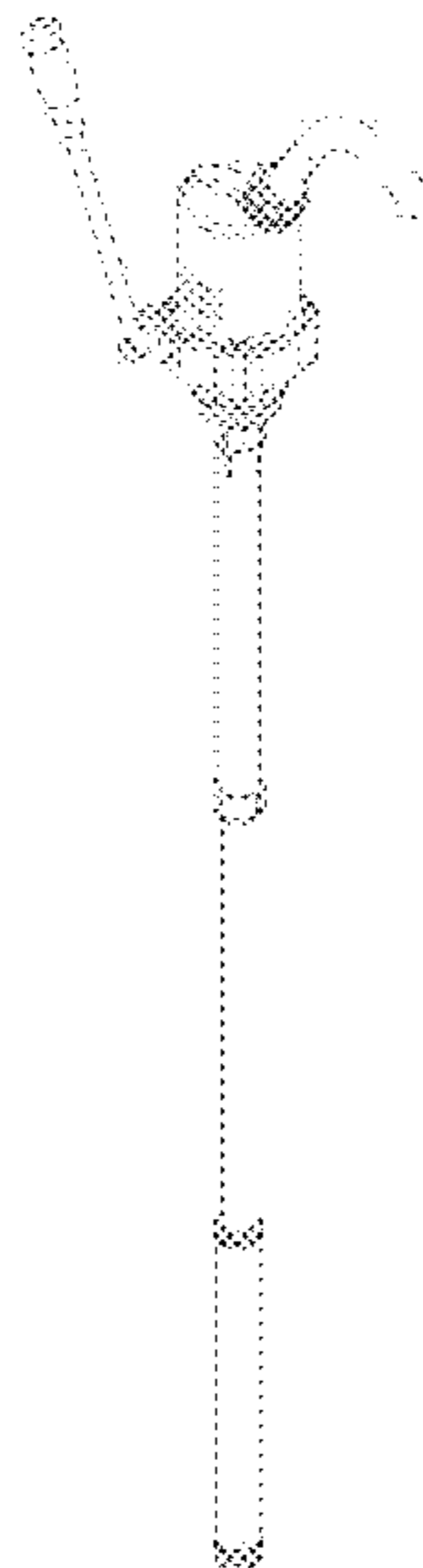
3.4 : Right

3.5 : Left

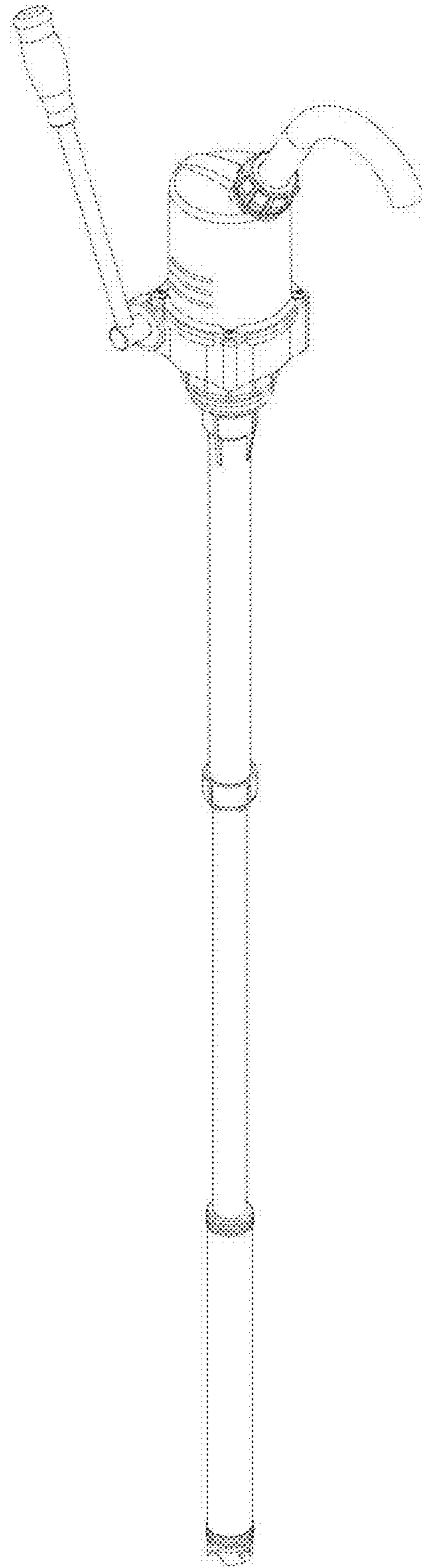
3.6 : Top

3.7 : Bottom

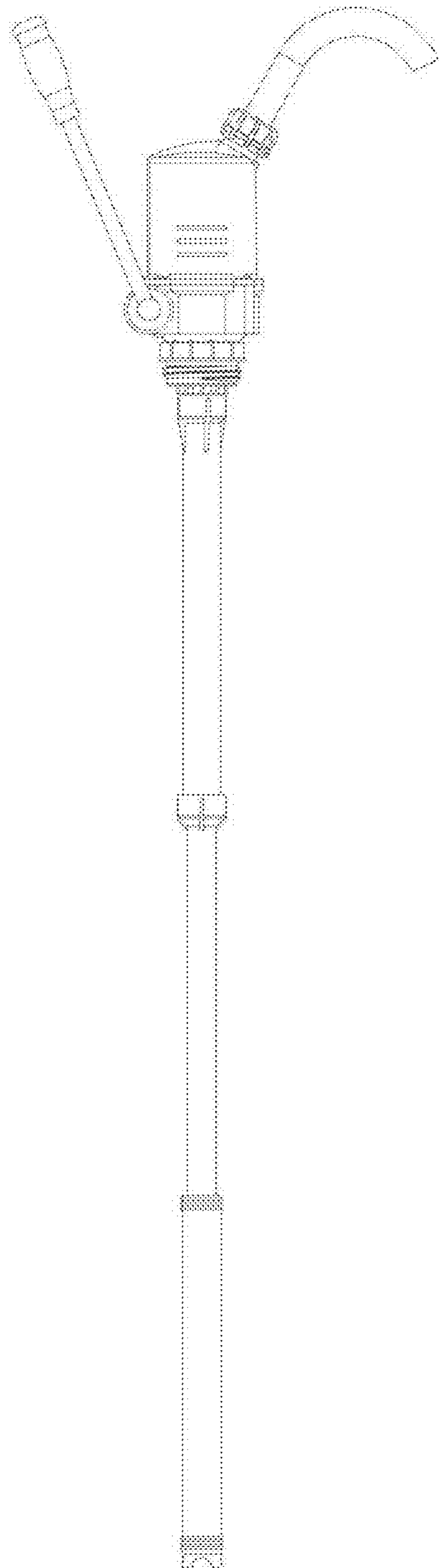
1 Claim, 21 Drawing Sheets



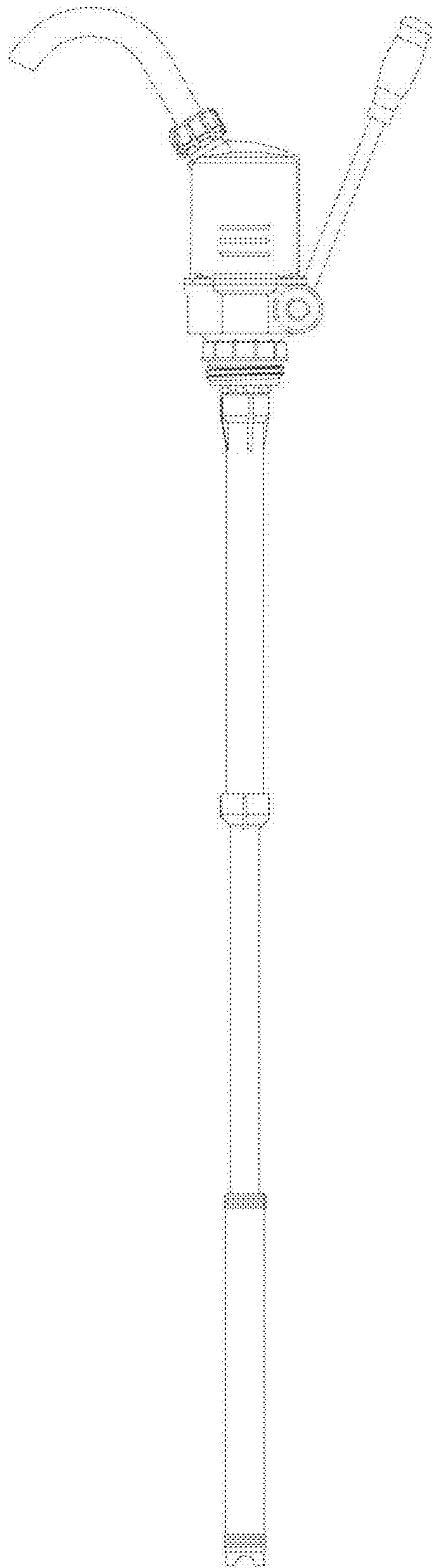
1.1



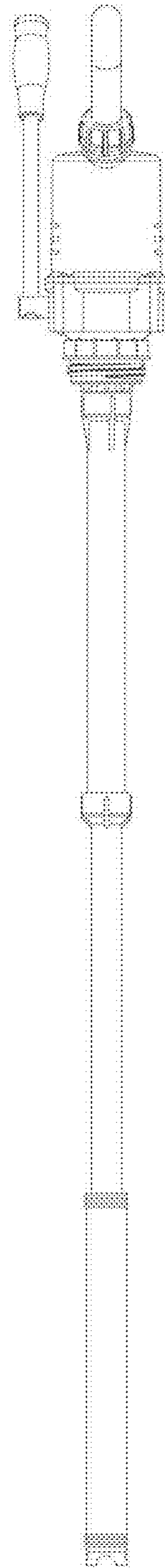
1.2



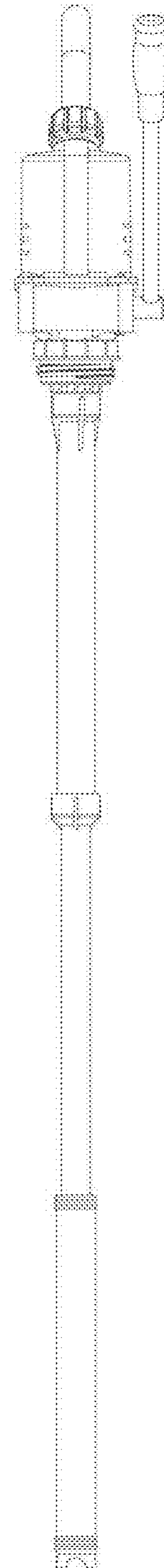
1.3



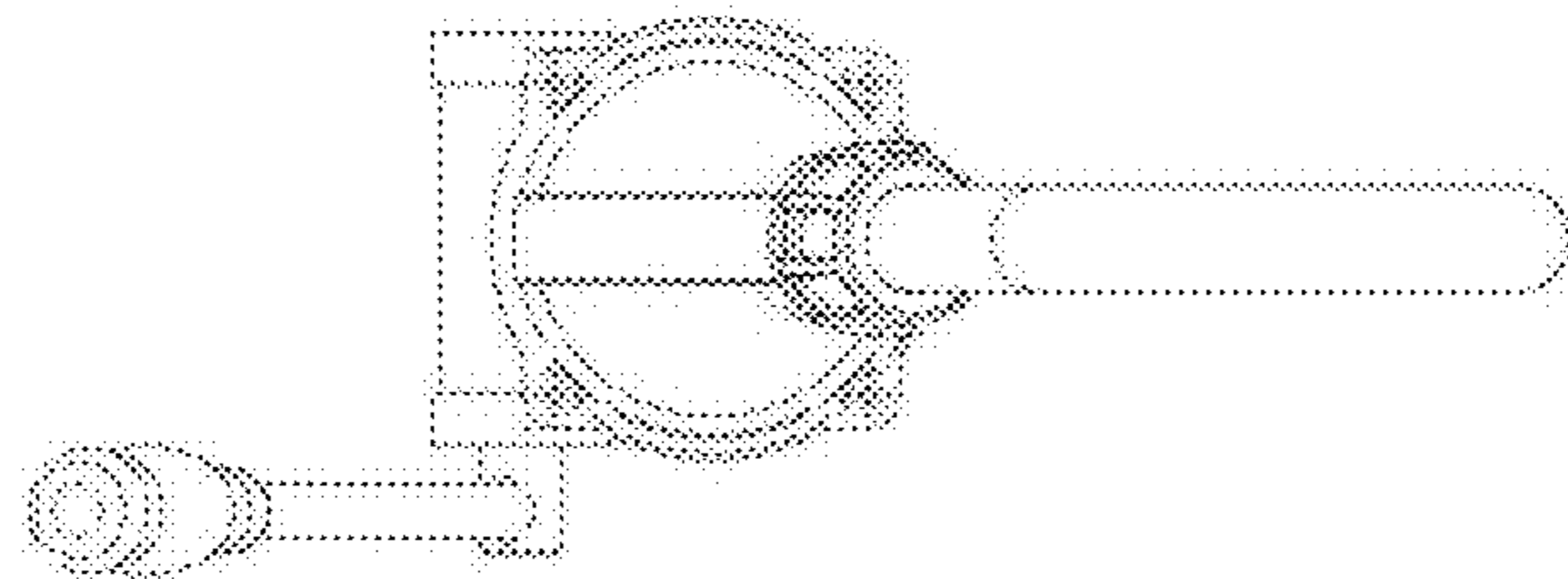
1.4



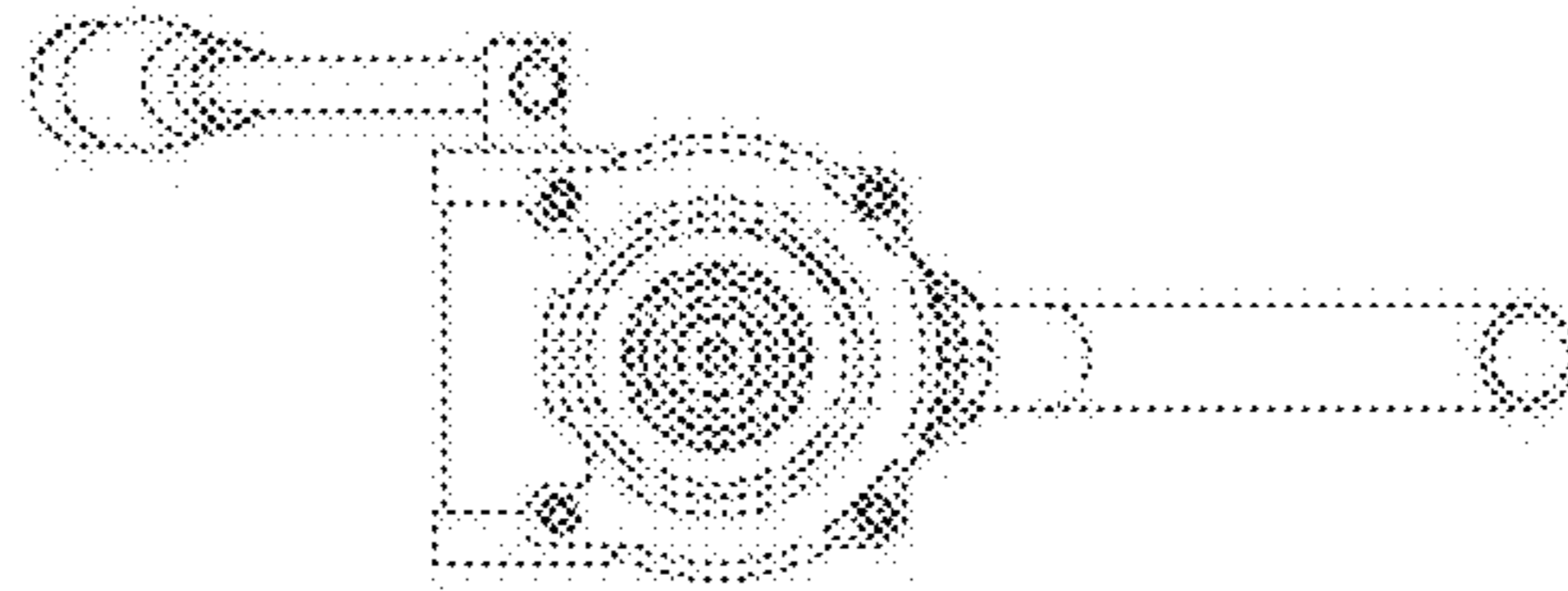
1.5



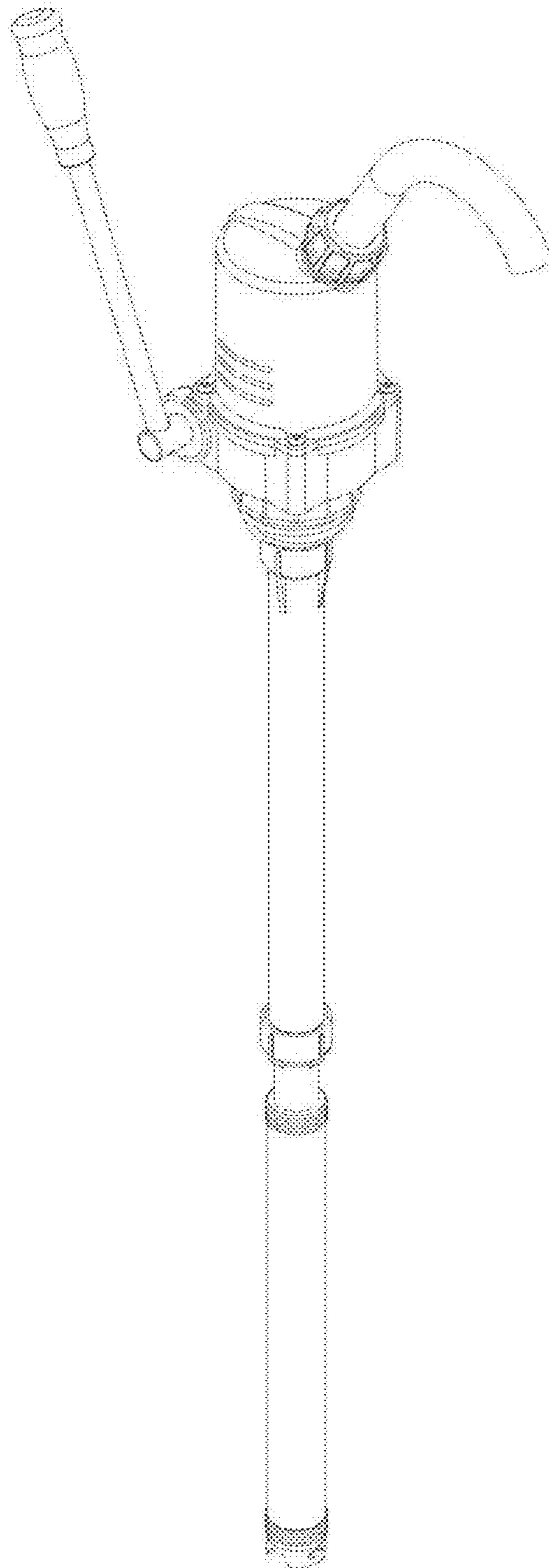
1.6



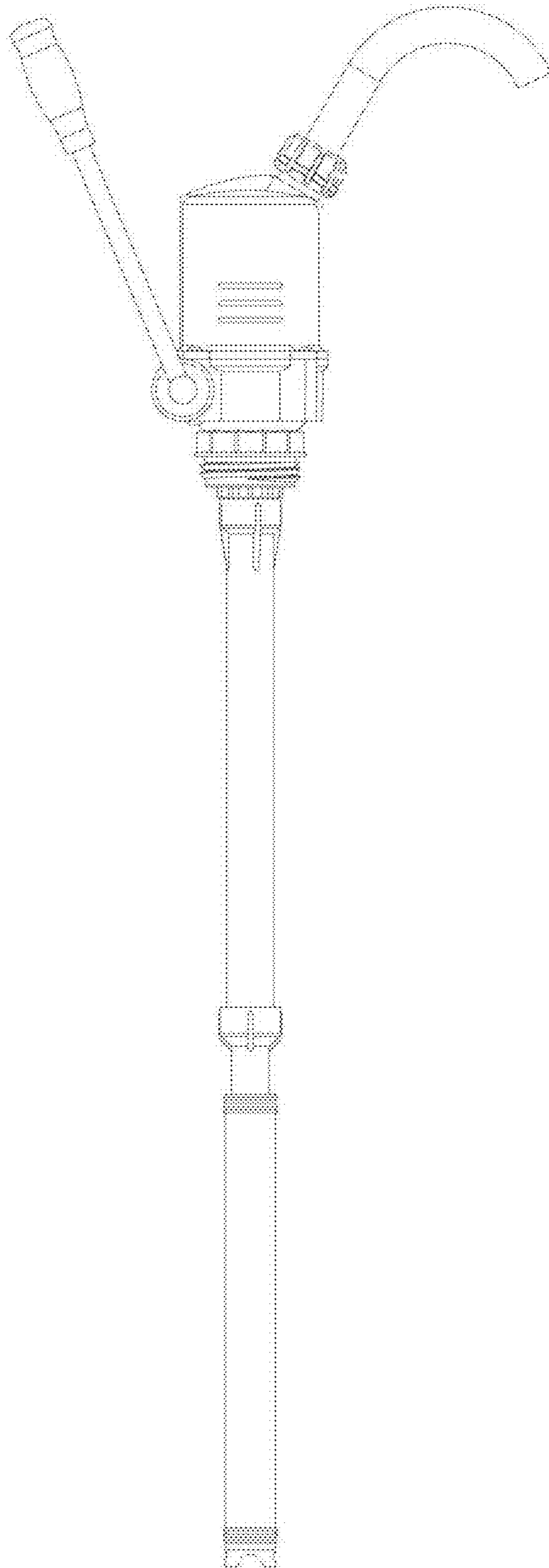
1.7



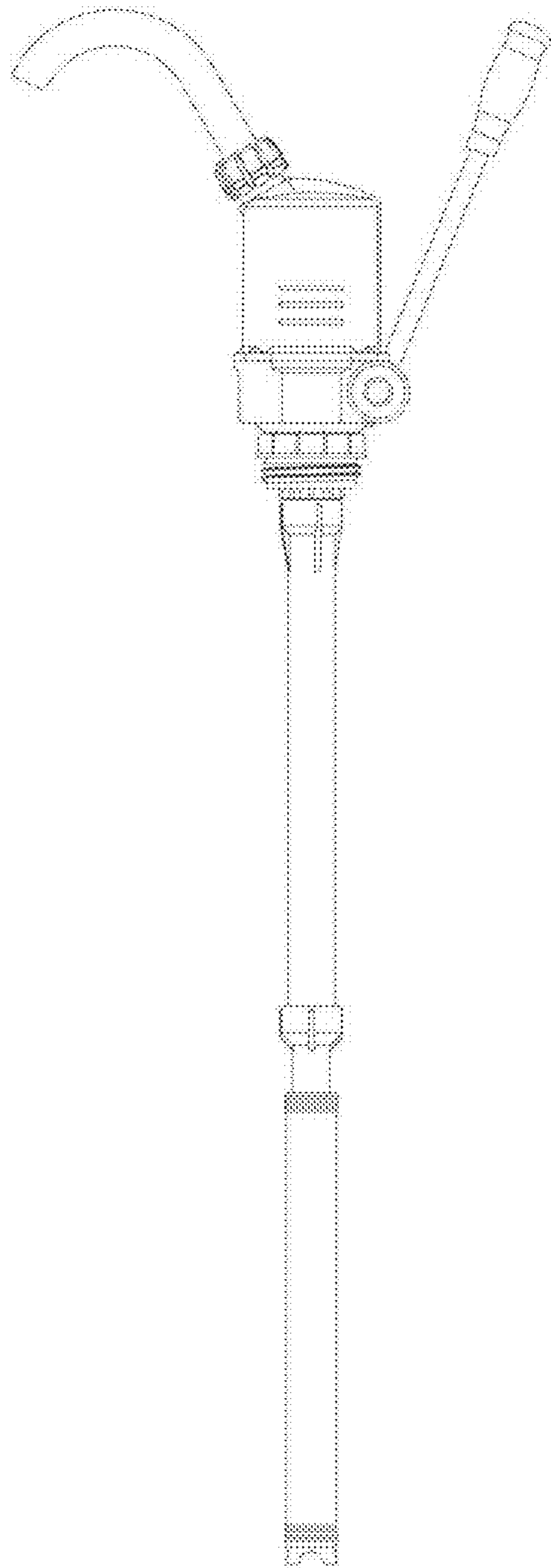
2.1



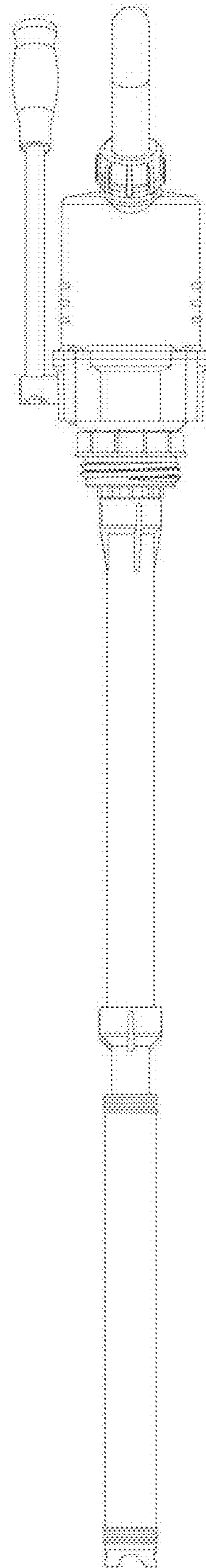
2.2



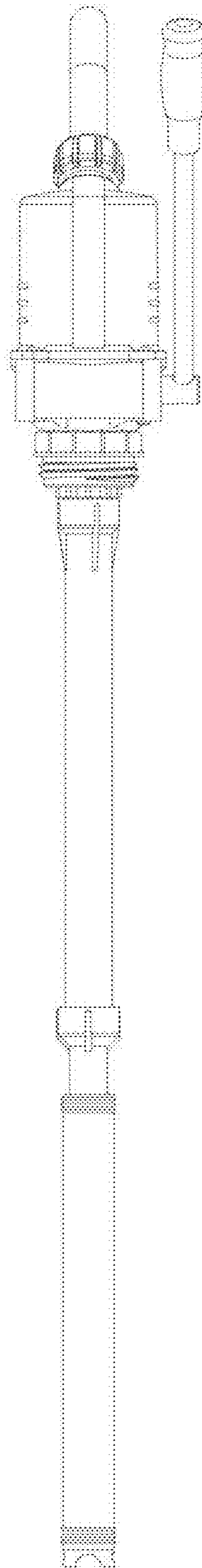
2.3



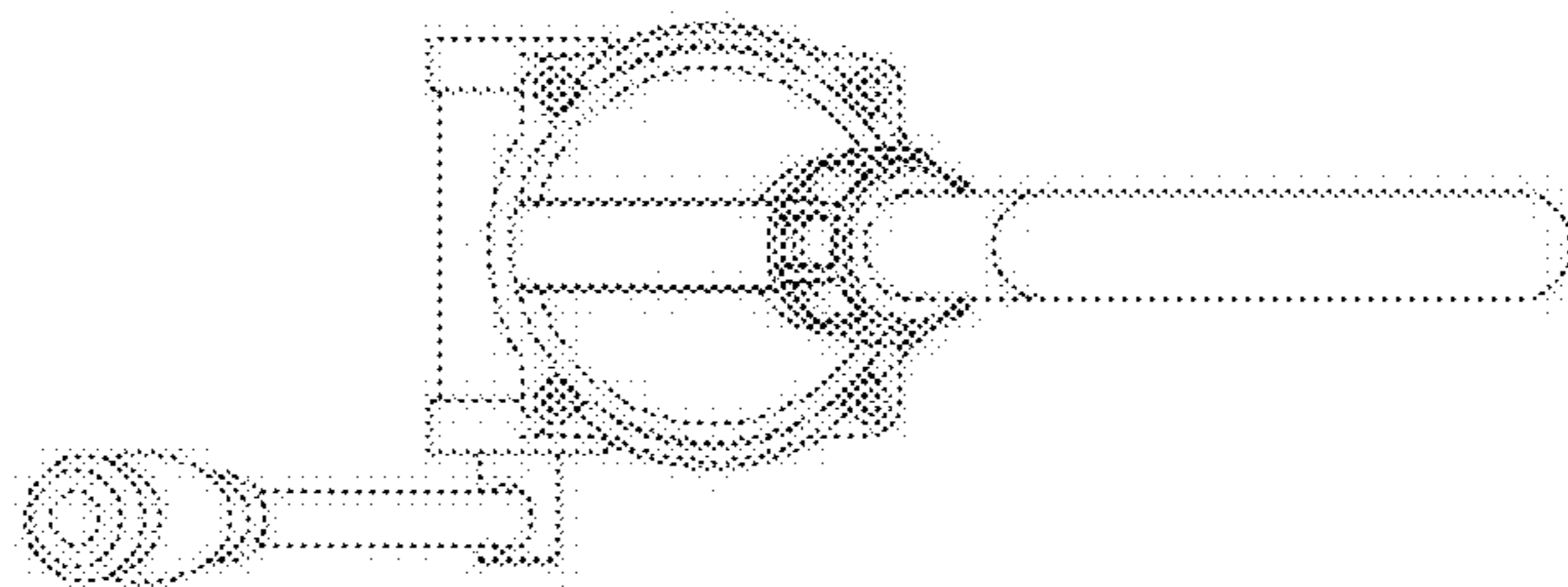
2.4



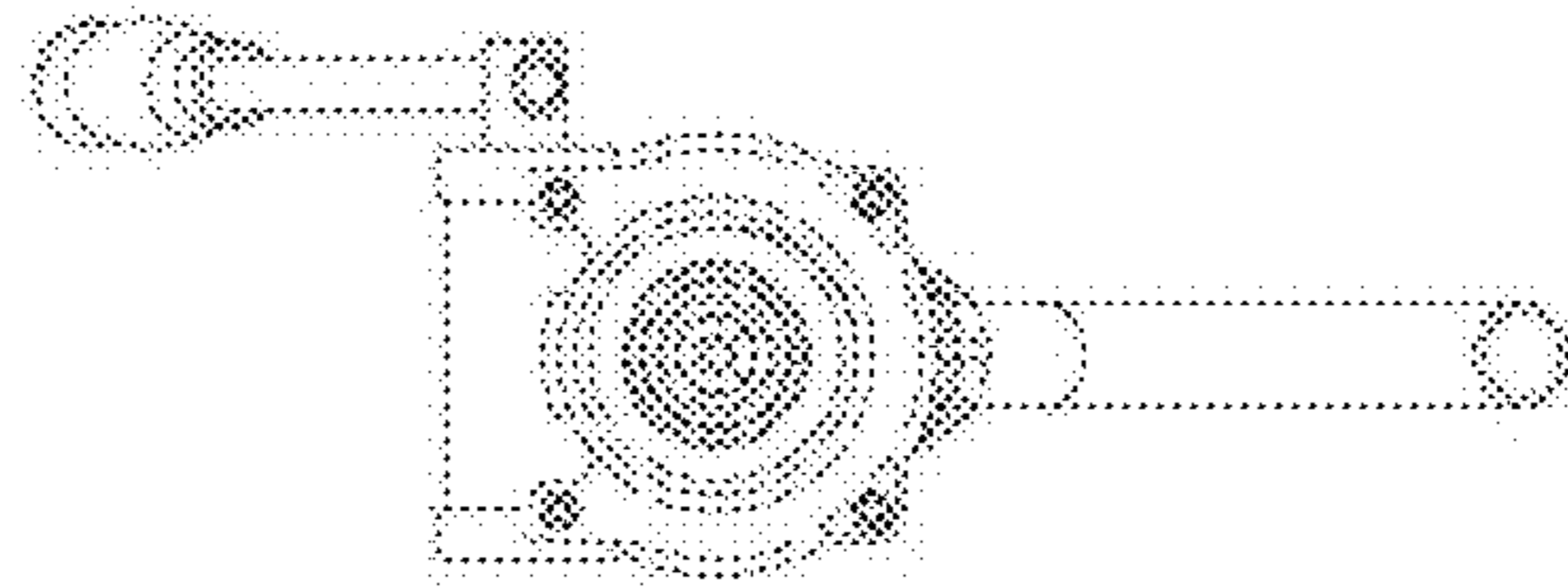
2.5



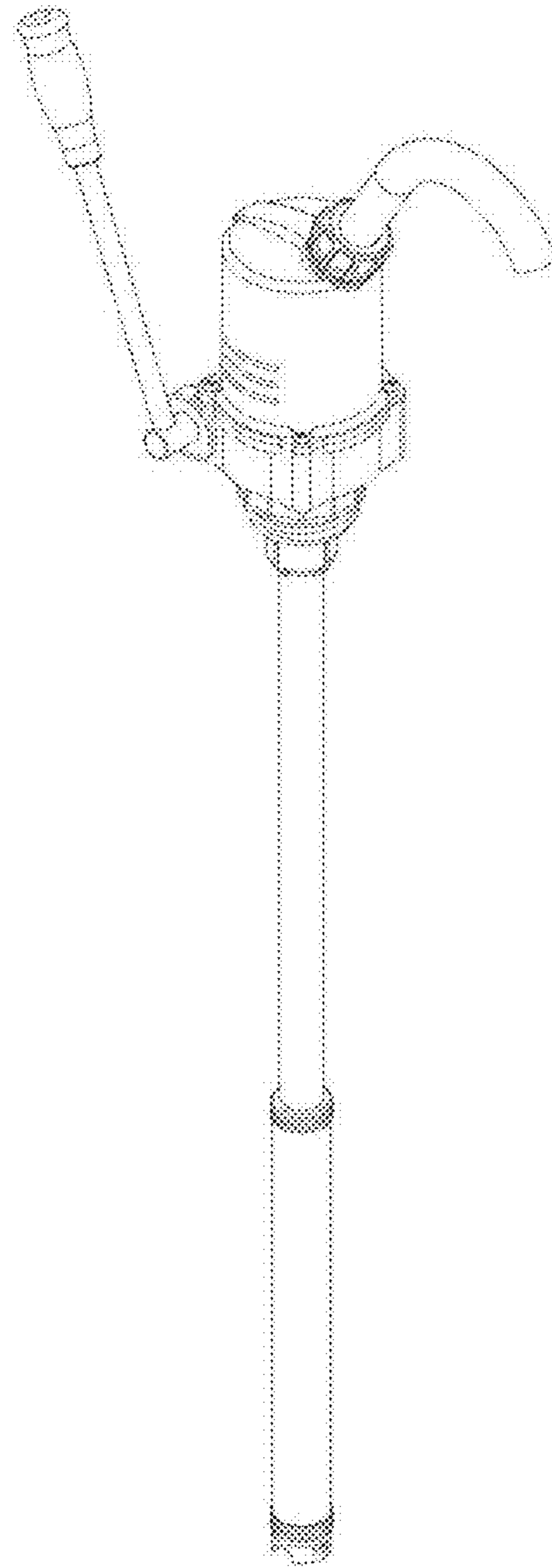
2.6



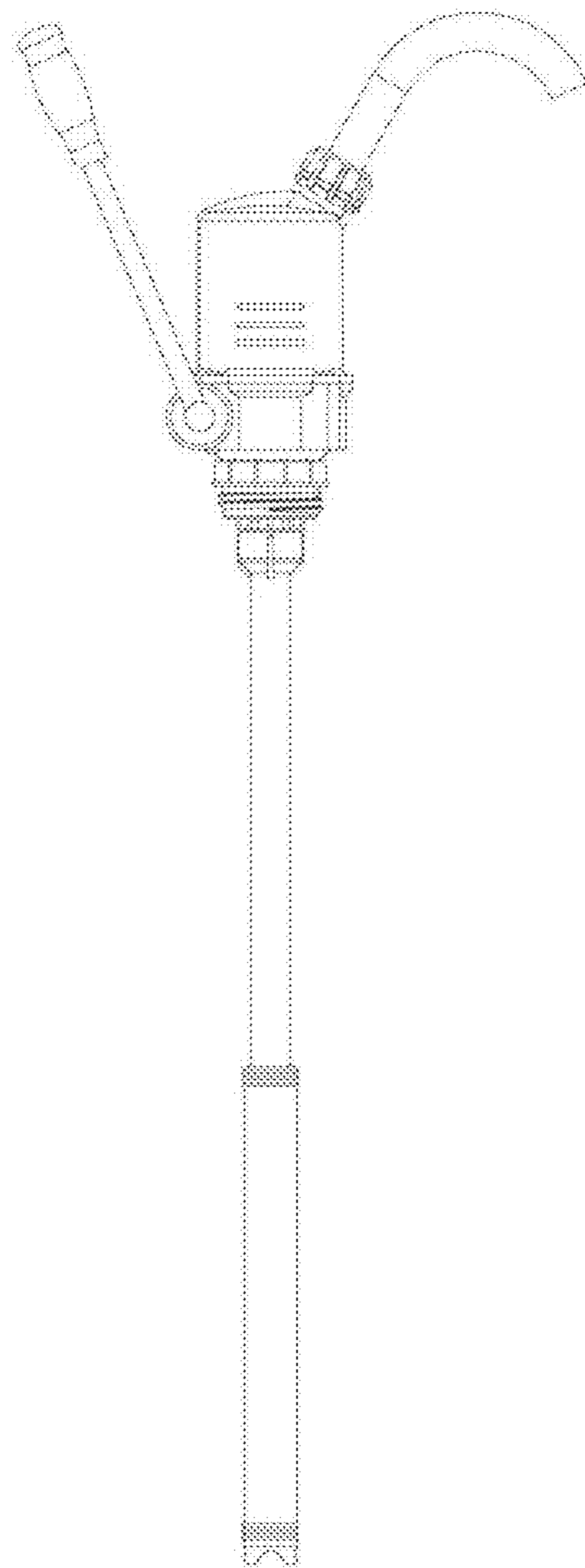
2.7



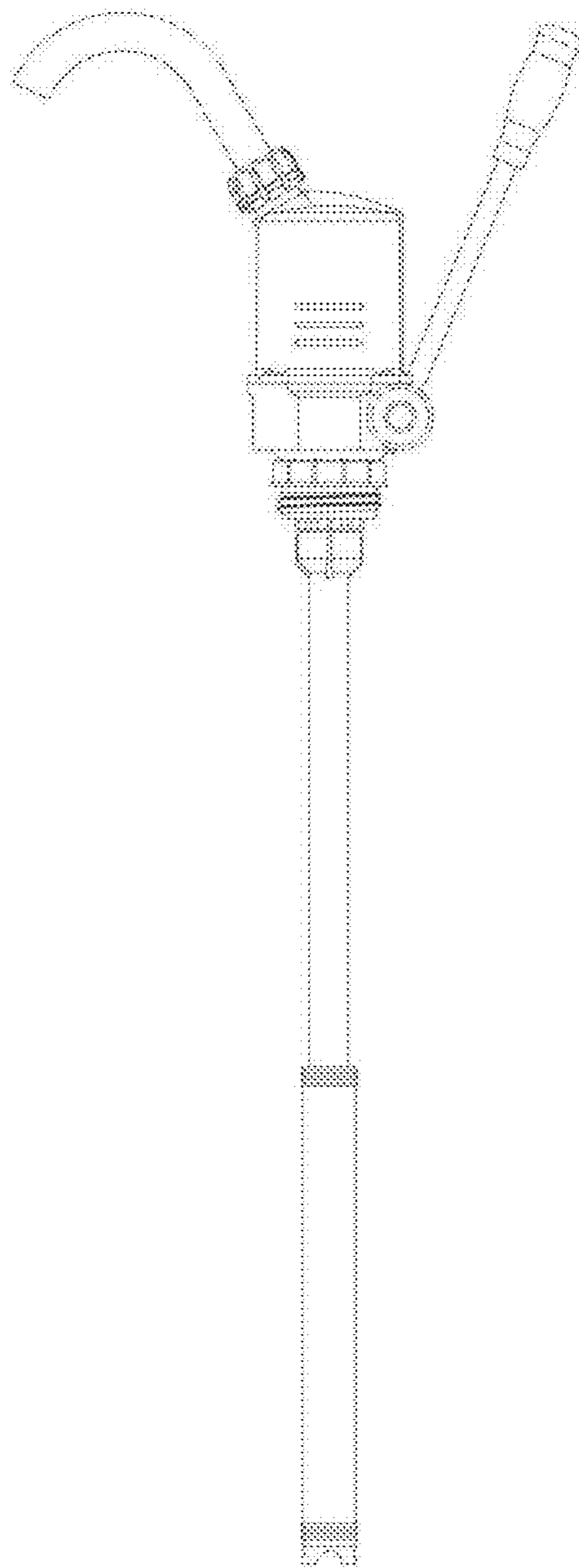
3.1



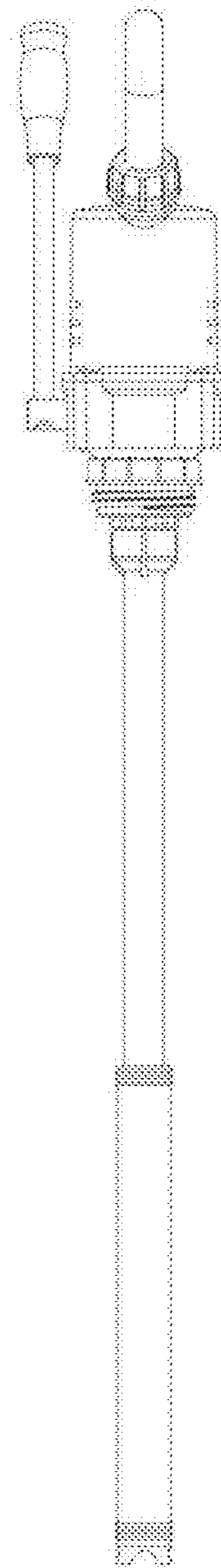
3.2



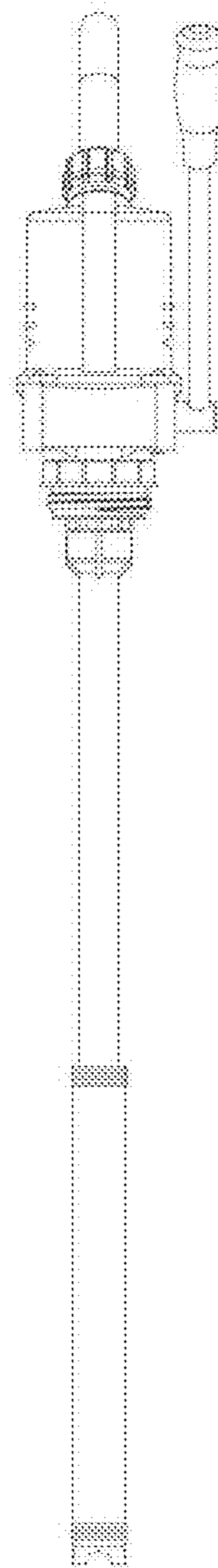
3.3



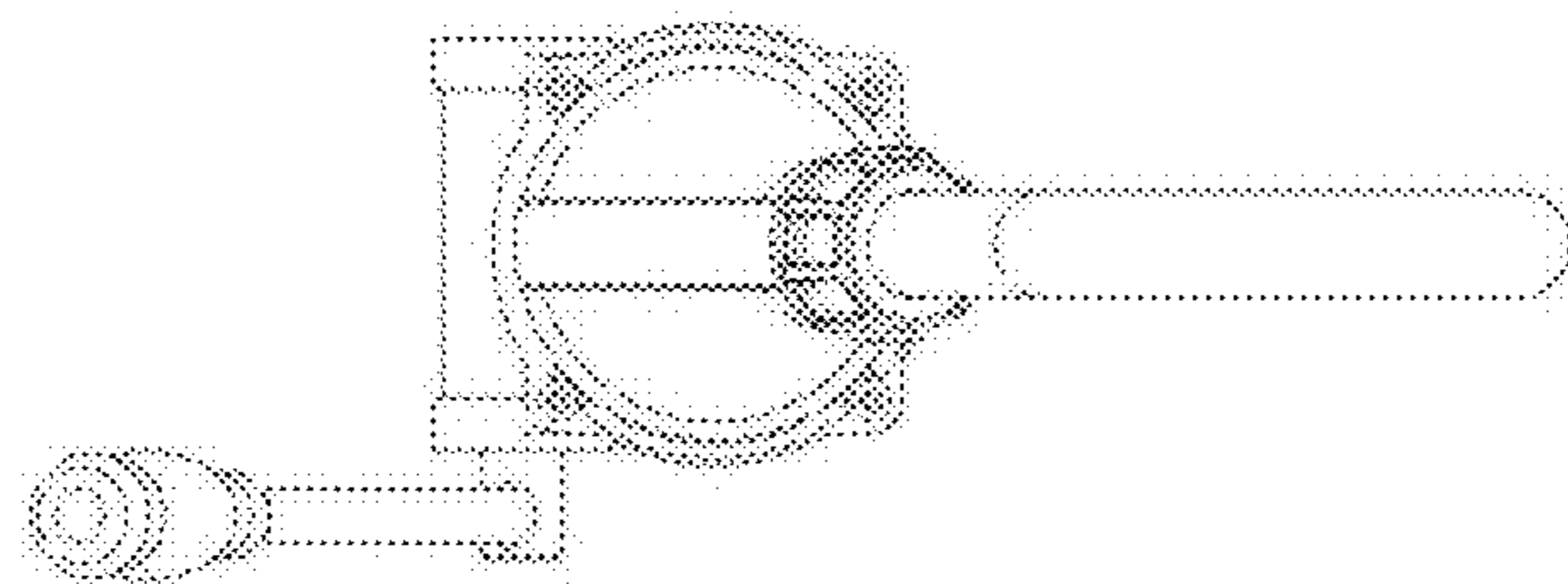
3.4



3.5



3.6



3.7

