



US00D904464S

(12) **United States Design Patent** (10) **Patent No.:** **US D904,464 S**
Yang et al. (45) **Date of Patent:** **** Dec. 8, 2020**

(54) **AIR COMPRESSOR PUMP WITH JUMP STARTER**

(56) **References Cited**

U.S. PATENT DOCUMENTS

(71) Applicant: **Ningbo Gude Electronic Technology Co., Ltd., Zhejiang (CN)**

D462,592 S * 9/2002 Cooper D8/68
D464,976 S * 10/2002 Krieger D15/9
D512,891 S * 12/2005 Aglassinger B25F 5/02

(72) Inventors: **Zhaolin Yang, Zhejiang (CN); Jianrong Zhou, Zhejiang (CN); Jun Wang, Zhejiang (CN); Weijun Pan, Zhejiang (CN); Jiayang Huang, Zhejiang (CN)**

D515,378 S * 2/2006 Wu D8/68
D515,379 S * 2/2006 Corcoran D8/68
D554,962 S * 11/2007 Ino D8/68
D567,615 S * 4/2008 Taniguchi B25F 5/02

(73) Assignee: **Ningbo Gude Electronic Technology Co., Ltd., Ningbo (CN)**

D592,476 S * 5/2009 Aglassinger D8/68
D605,490 S * 12/2009 Aglassinger D8/68
D644,494 S * 9/2011 Lopano D8/68

(Continued)

(**) Term: **15 Years**

Primary Examiner — Rosemary K Tarcza

(21) Appl. No.: **29/647,934**

(57) **CLAIM**

The ornamental design for an air compressor pump with jump starter, as shown and described.

(22) Filed: **May 16, 2018**

DESCRIPTION

(30) **Foreign Application Priority Data**

Apr. 25, 2018 (CN) 2018 3 0176242

(51) **LOC (12) Cl.** **15-02**

(52) **U.S. Cl.**
USPC **D15/9; D13/107**

(58) **Field of Classification Search**
USPC D13/103, 107-110, 118-119, 184, 199;
D15/7-9, 144; D8/29.1, 61, 68;
D23/231, 232, 235

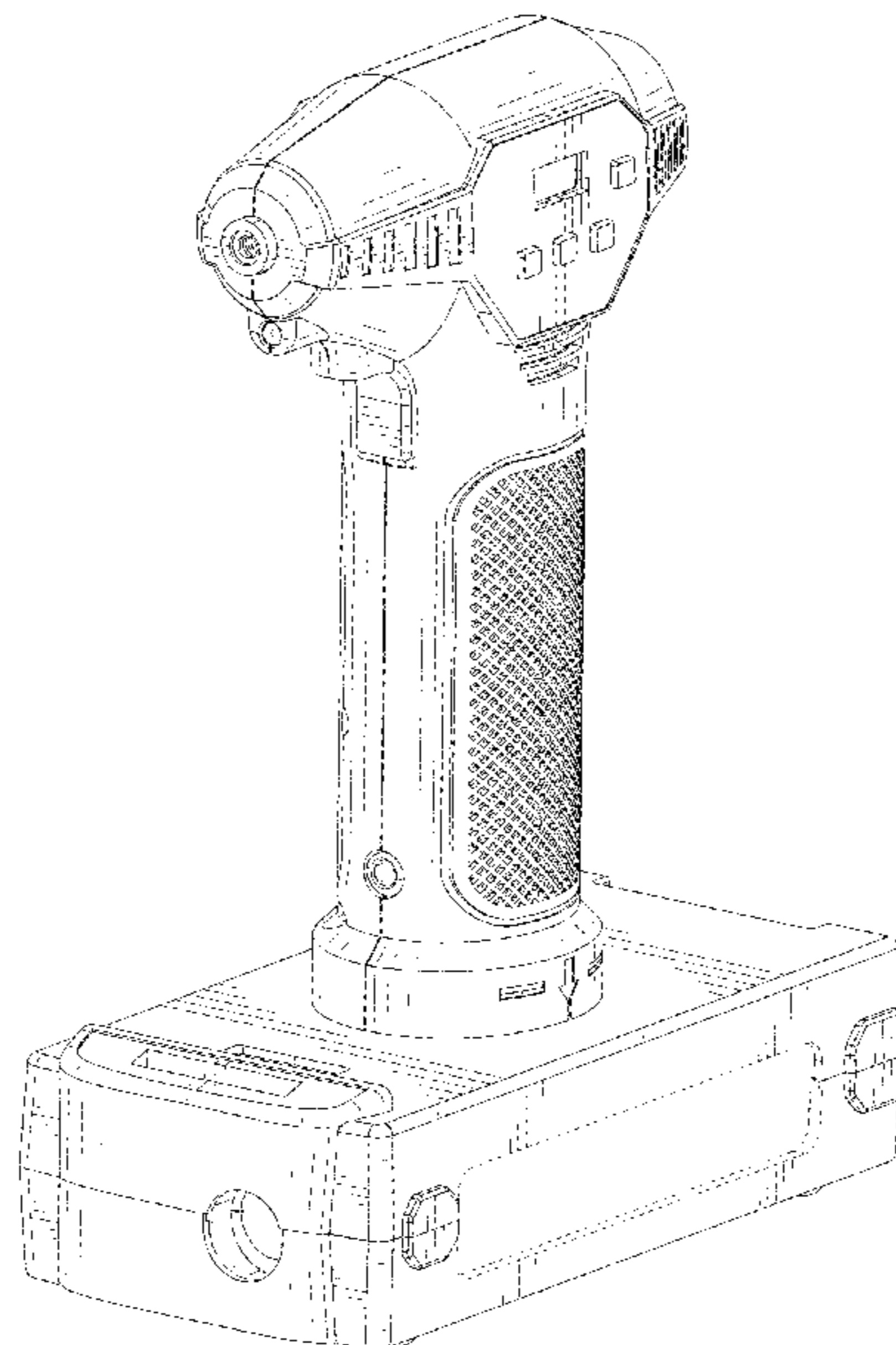
CPC H02J 7/02; H02J 7/14; H02J 7/1438; H02J 7/342; H02J 7/345; H02J 1/122; H02J 2310/48; H02J 7/0026; H02J 7/0042; H02J 7/0044; H02J 7/0045; H02J 7/0013; H02J 7/0003; H01M 2/02; H01M 2/0202; H01M 2/0237; F02M 37/04; F02M 37/14; F04B 1/005

See application file for complete search history.

FIG. 1 is a front elevational view of an air compressor pump with jump starter showing our new design;
FIG. 2 is a rear elevational view thereof;
FIG. 3 is a left side view thereof;
FIG. 4 is a right side view thereof;
FIG. 5 is a top plan view thereof;
FIG. 6 is a bottom plan view thereof;
FIG. 7 is a top, front and left side perspective view thereof;
FIG. 8 is a top, rear and right side perspective view thereof;
FIG. 9 is a bottom, front and right side perspective view thereof; and,
FIG. 10 is a bottom, rear and left side perspective view thereof.

The broken lines in the drawings illustrate portions of the air compressor pump with jump starter which form no part of the claimed design.

1 Claim, 10 Drawing Sheets



(56)

References Cited

U.S. PATENT DOCUMENTS

D678,024 S *	3/2013	Taniguchi	D8/68
D721,938 S *	2/2015	Aoki	D8/68
D777,545 S *	1/2017	Kosugi	D8/68
D805,109 S *	12/2017	Exley	D15/7
D814,262 S *	4/2018	Khubani	D8/68
D817,364 S *	5/2018	He	D15/7
D834,079 S *	11/2018	Cash	D15/144
D838,156 S *	1/2019	Cooper	D8/68
D839,069 S *	1/2019	Koeniger	D8/68
D859,115 S *	9/2019	Cooper	D8/68
D871,871 S *	1/2020	Yang	D8/29.1
D882,365 S *	4/2020	Xu	D8/68
D895,389 S *	9/2020	Matteo	D8/68

* cited by examiner

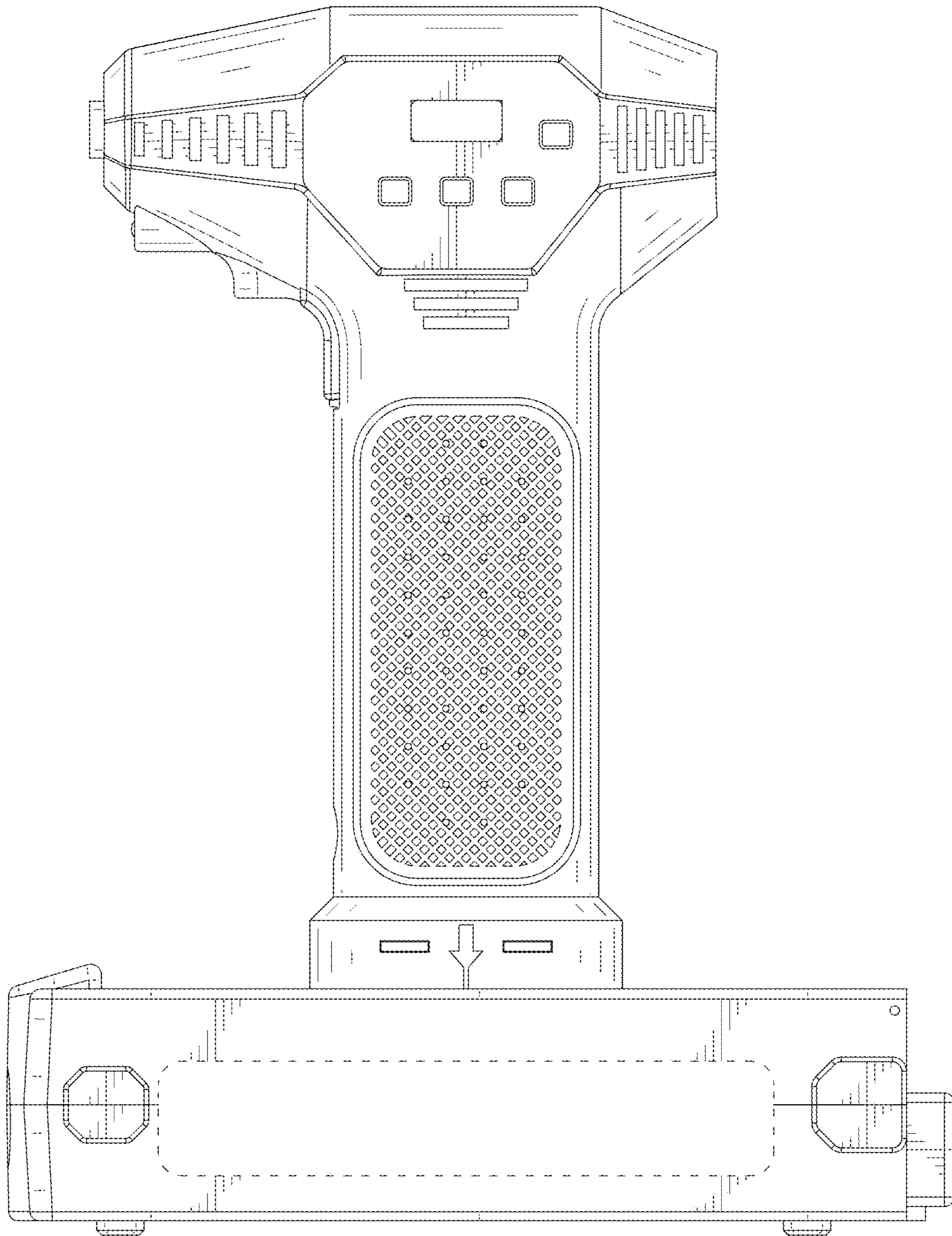


FIG.1

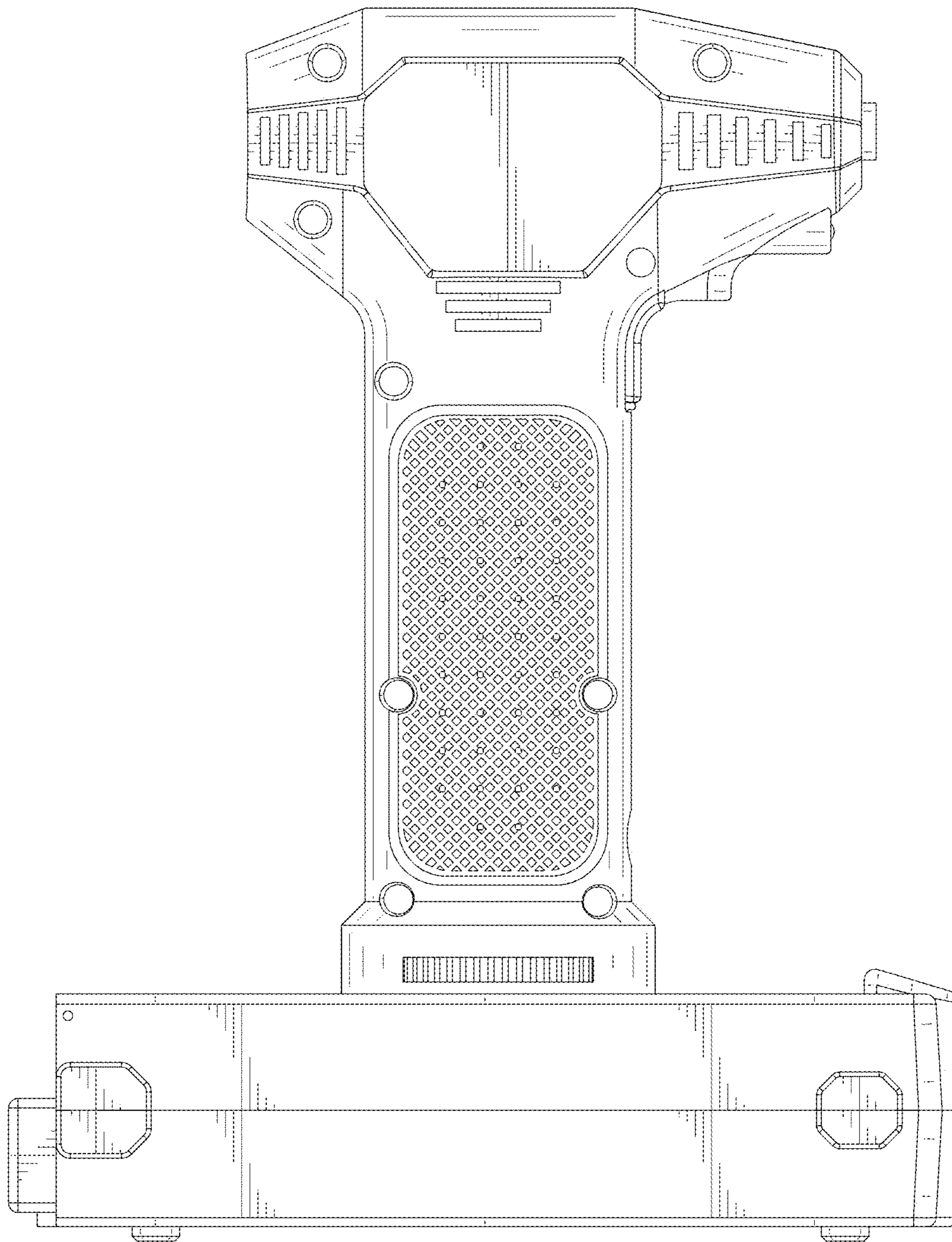


FIG.2

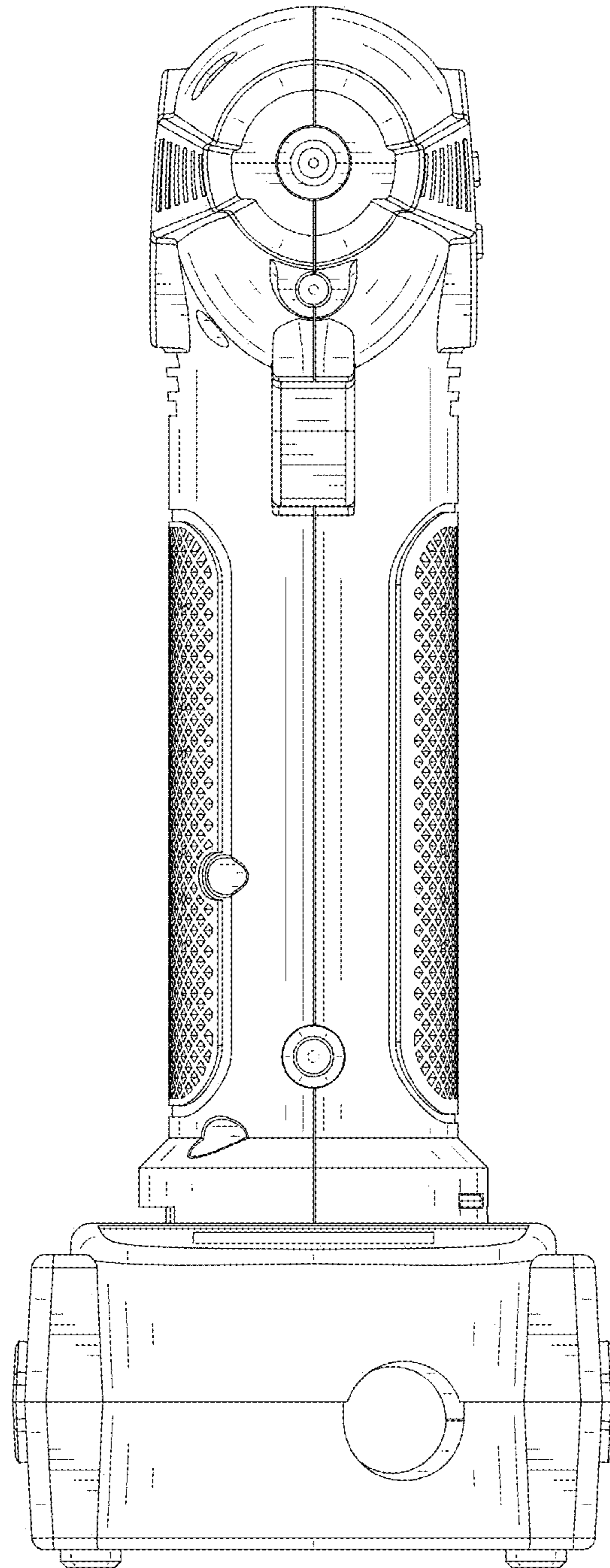


FIG.3

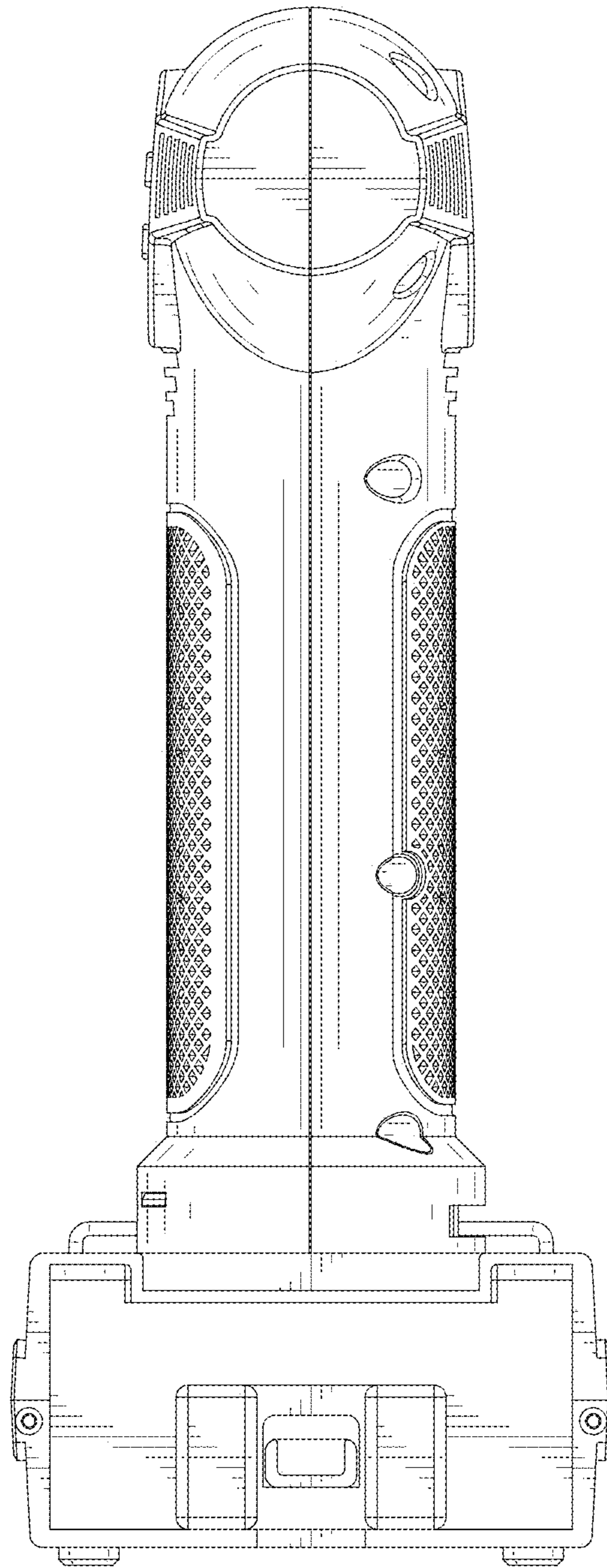


FIG.4

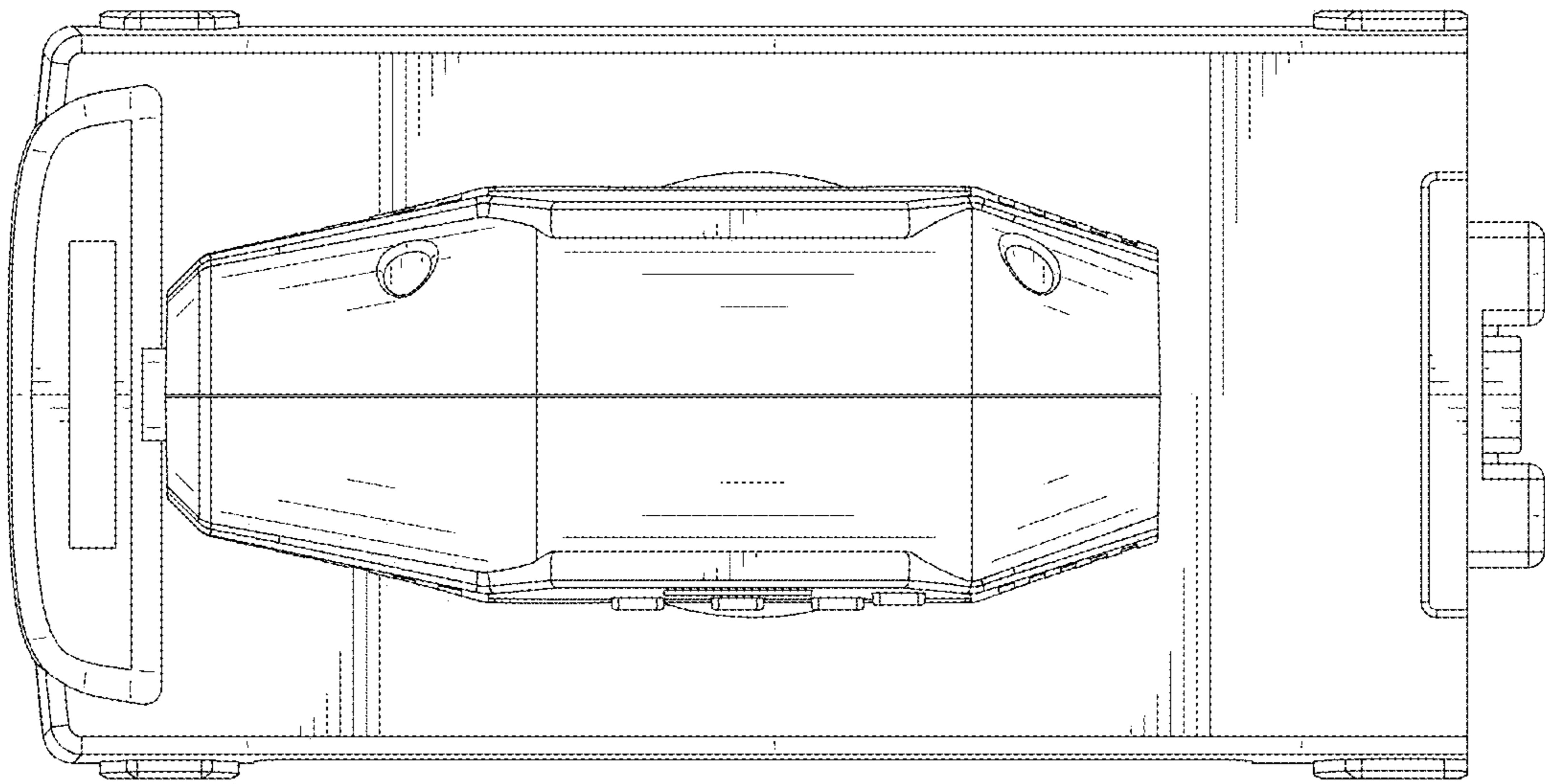


FIG.5

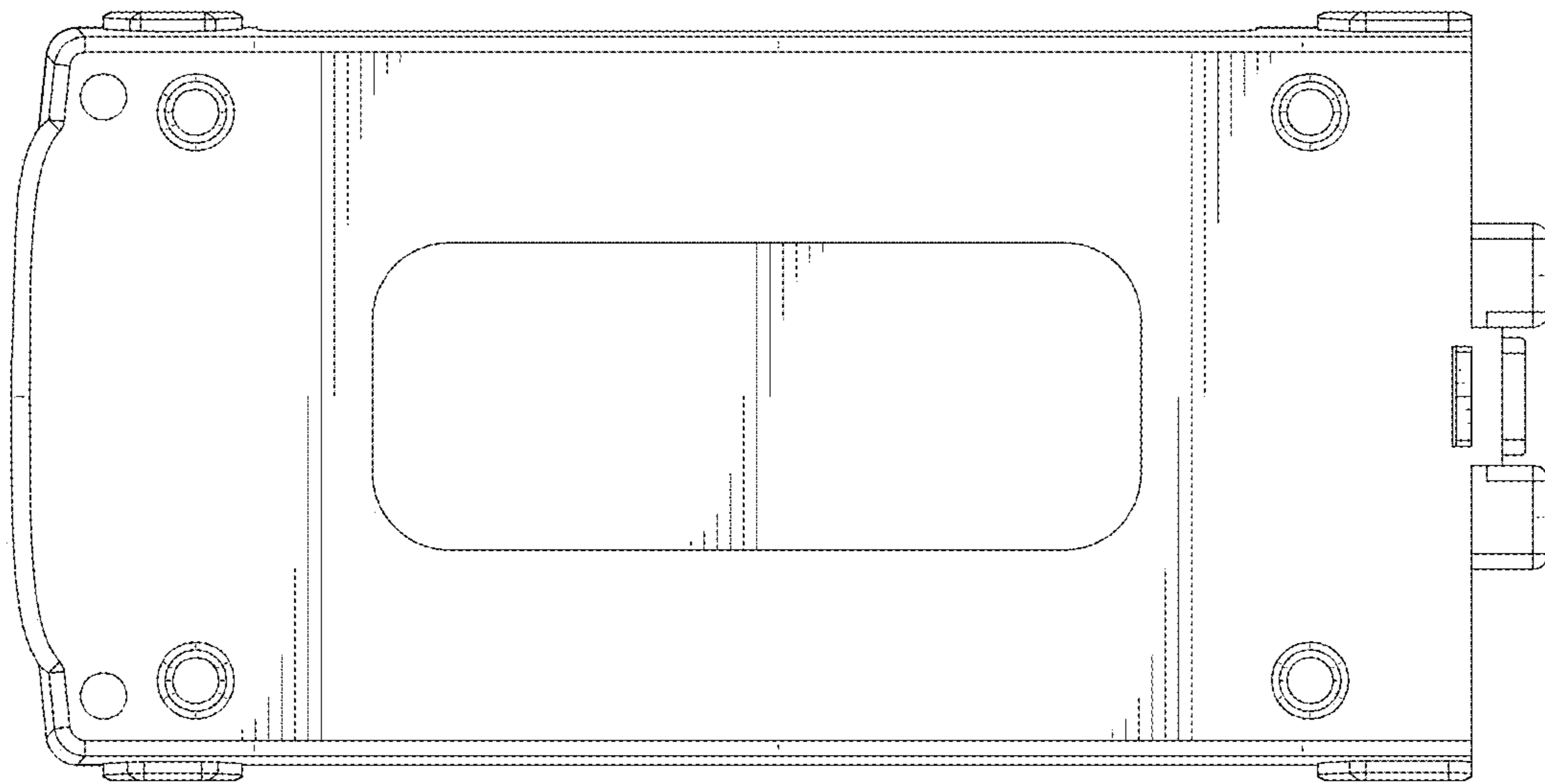


FIG.6

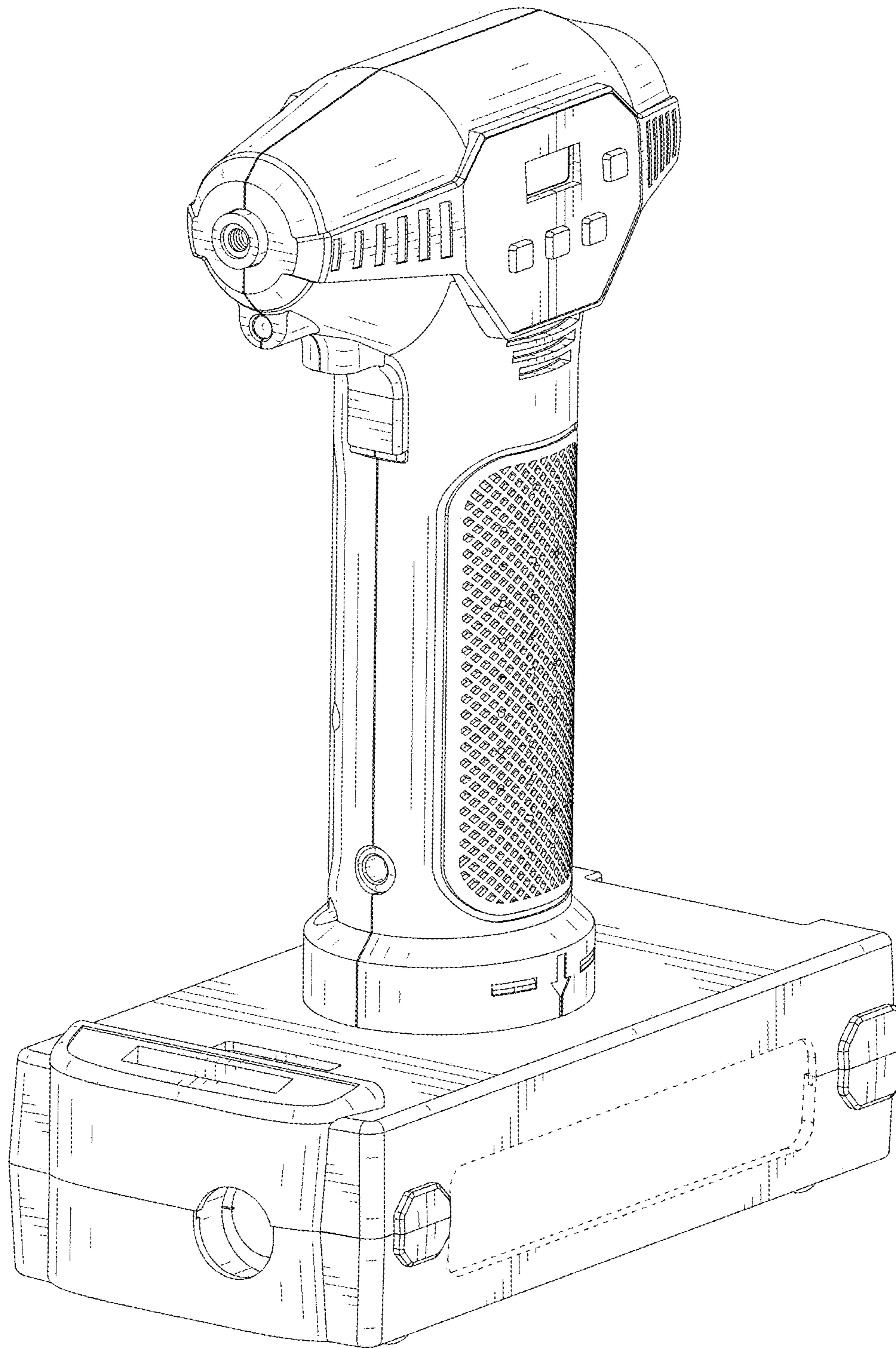


FIG.7

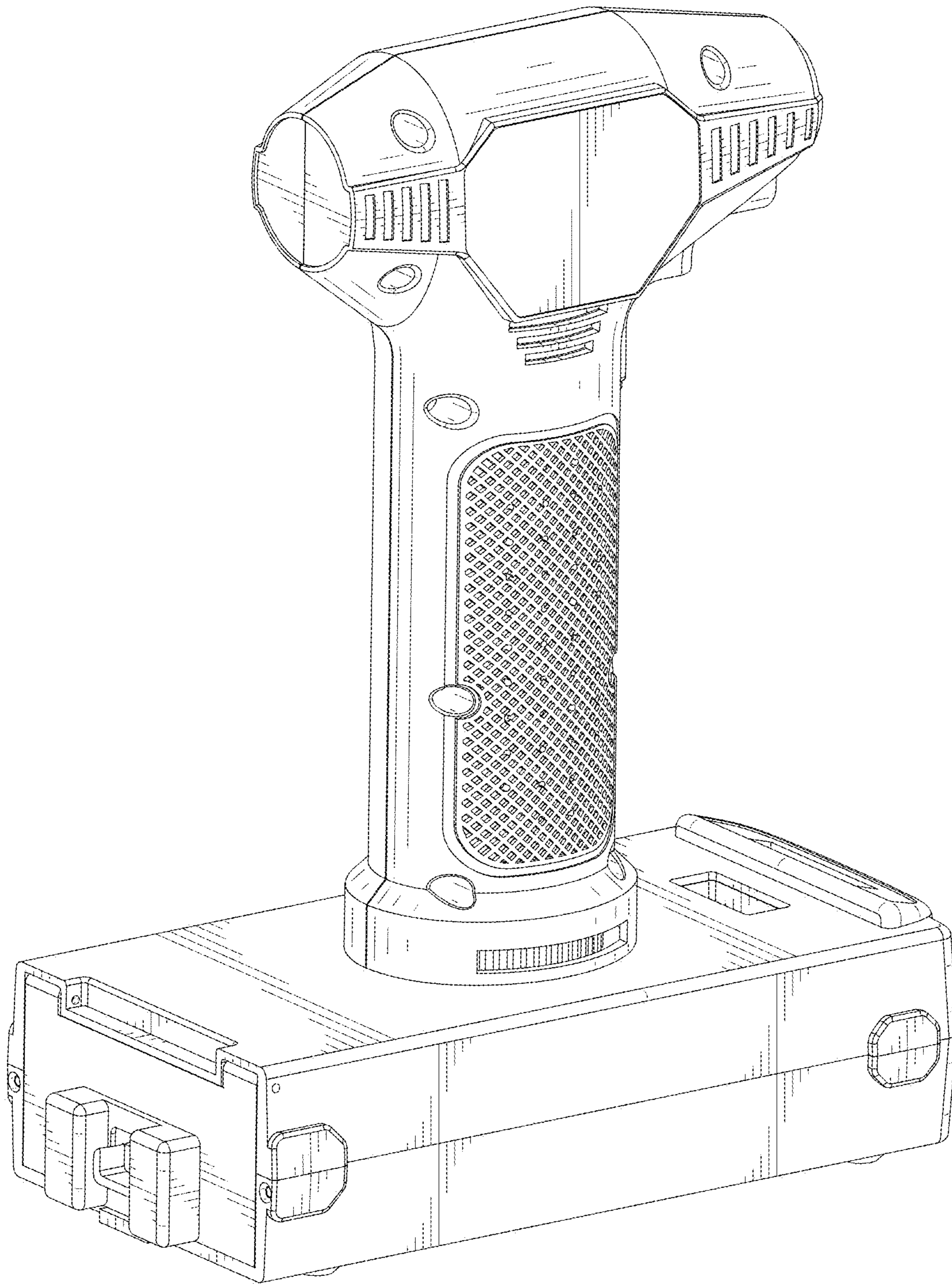


FIG.8

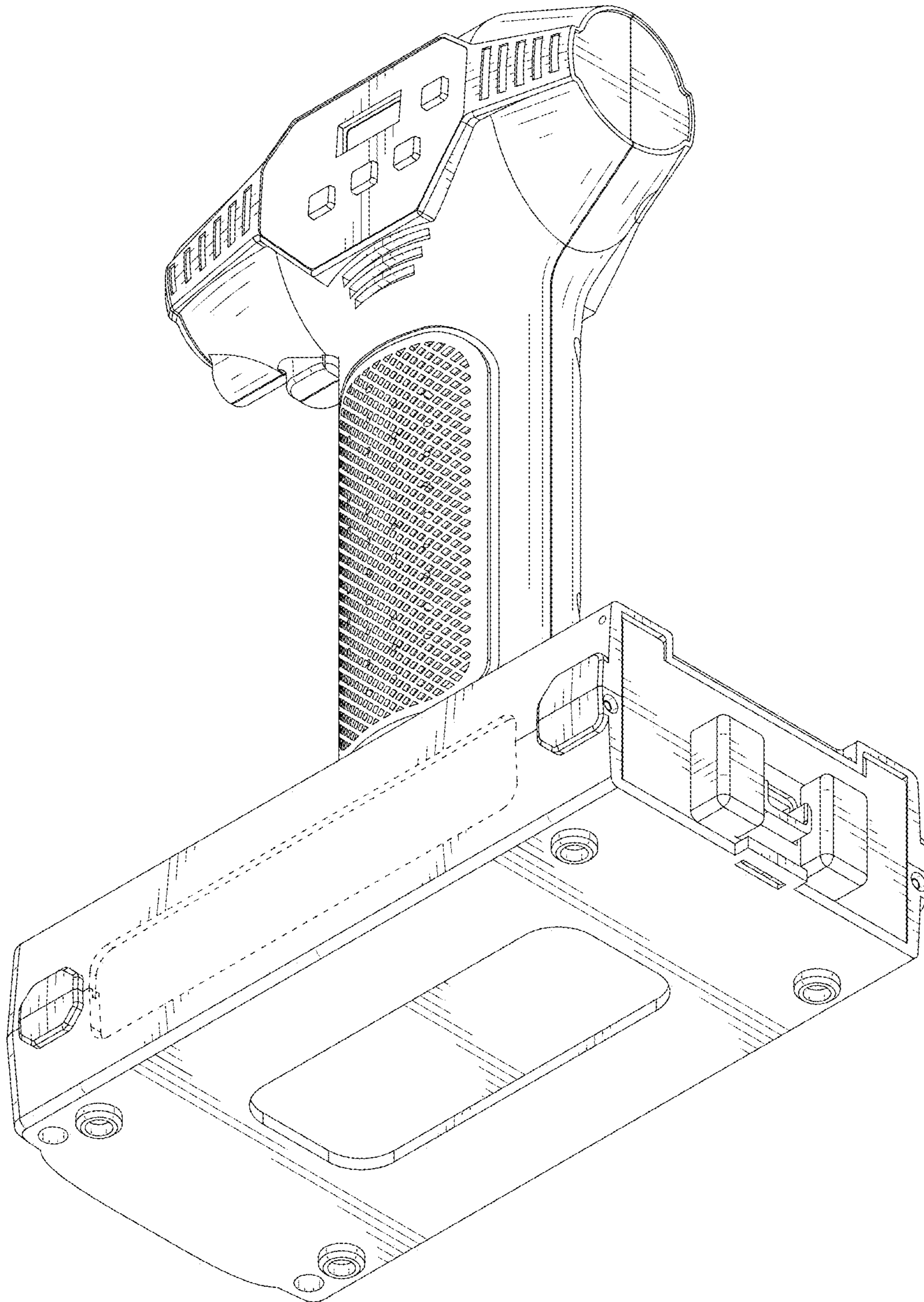


FIG.9

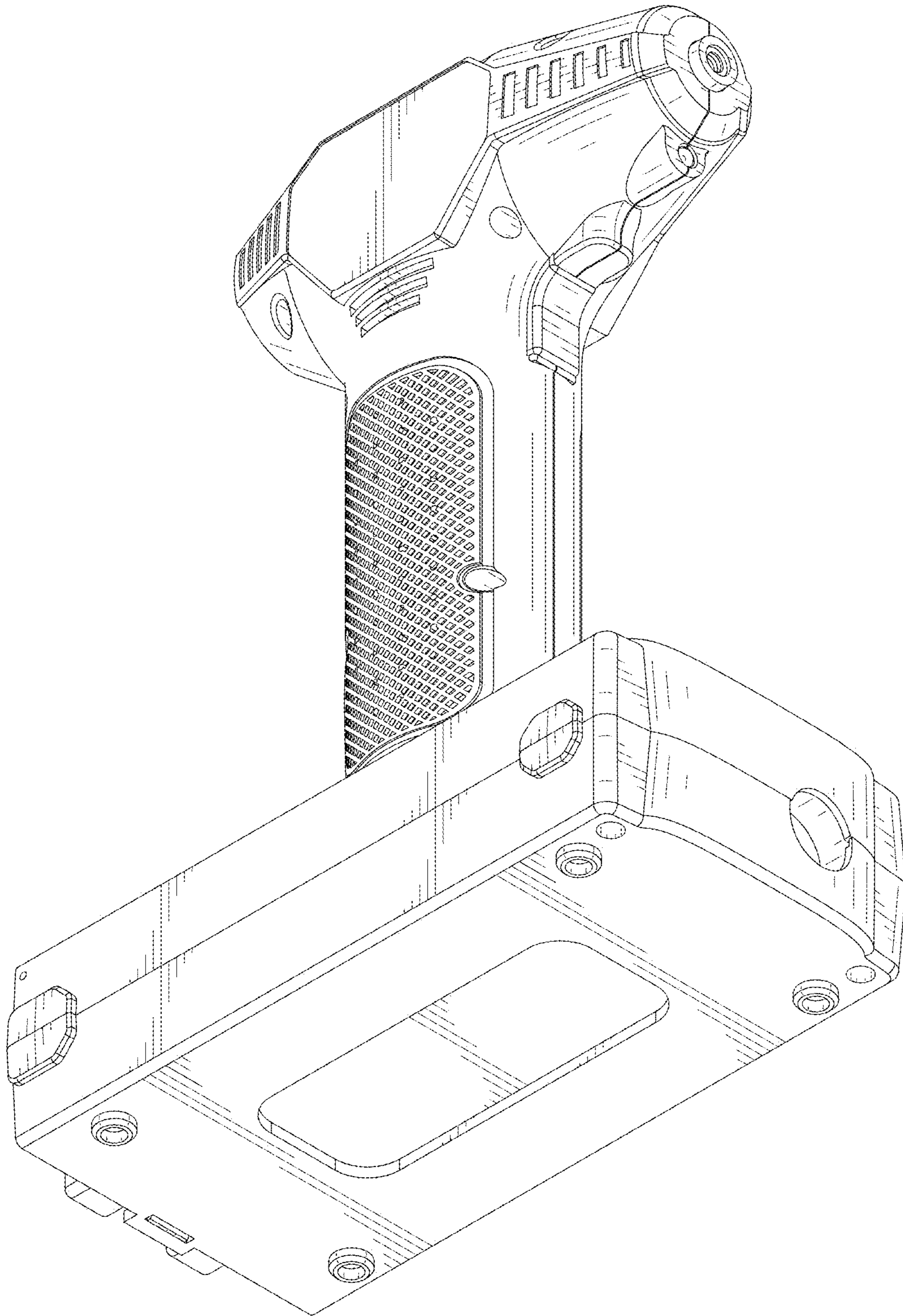


FIG.10