



US00D904462S

(12) **United States Design Patent**
Scarleski

(10) **Patent No.:** **US D904,462 S**

(45) **Date of Patent:** **** Dec. 8, 2020**

(54) **PUMP BLOWER HOUSING**

(71) Applicant: **Levitation Sciences LLC**, Chicago, IL (US)

(72) Inventor: **William J. Scarleski**, Chicago, IL (US)

(73) Assignee: **Levitation Sciences LLC**, Chicago, IL (US)

(**) Term: **15 Years**

(21) Appl. No.: **29/670,828**

(22) Filed: **Nov. 20, 2018**

(51) **LOC (12) Cl.** **15-02**

(52) **U.S. Cl.**
USPC **D15/7**

(58) **Field of Classification Search**
USPC D15/7-9; D23/231, 232, 225; D24/108, D24/111
CPC F02M 37/04; F02M 37/14
See application file for complete search history.

(56) **References Cited**

U.S. PATENT DOCUMENTS

D122,458 S *	9/1940	Eastman	D15/9
D344,735 S *	3/1994	Ohman	D15/7
D356,800 S *	3/1995	Chen	D15/7
5,568,117 A *	10/1996	Hsu	B60Q 7/00 340/321
D375,962 S *	11/1996	Wong	D15/9
D389,489 S *	1/1998	Wong	D15/9
D390,236 S *	2/1998	Ashcraft	D15/9

D403,331 S *	12/1998	Williams	D15/9
D453,168 S *	1/2002	Chou	D15/7
D465,791 S *	11/2002	Moan	D15/7
D469,176 S *	1/2003	Hall	D24/108
D478,984 S *	8/2003	Hall	D24/108
D484,147 S *	12/2003	Tai	D15/9
D498,768 S *	11/2004	Romandy	D15/9
D538,825 S *	3/2007	Chen Han	D15/9
D594,880 S *	6/2009	Austen	D15/7
D787,558 S *	5/2017	Thorn	D15/5

* cited by examiner

Primary Examiner — Mitchell I. Siegel

(74) *Attorney, Agent, or Firm* — SmithAmundsen LLC

(57) **CLAIM**

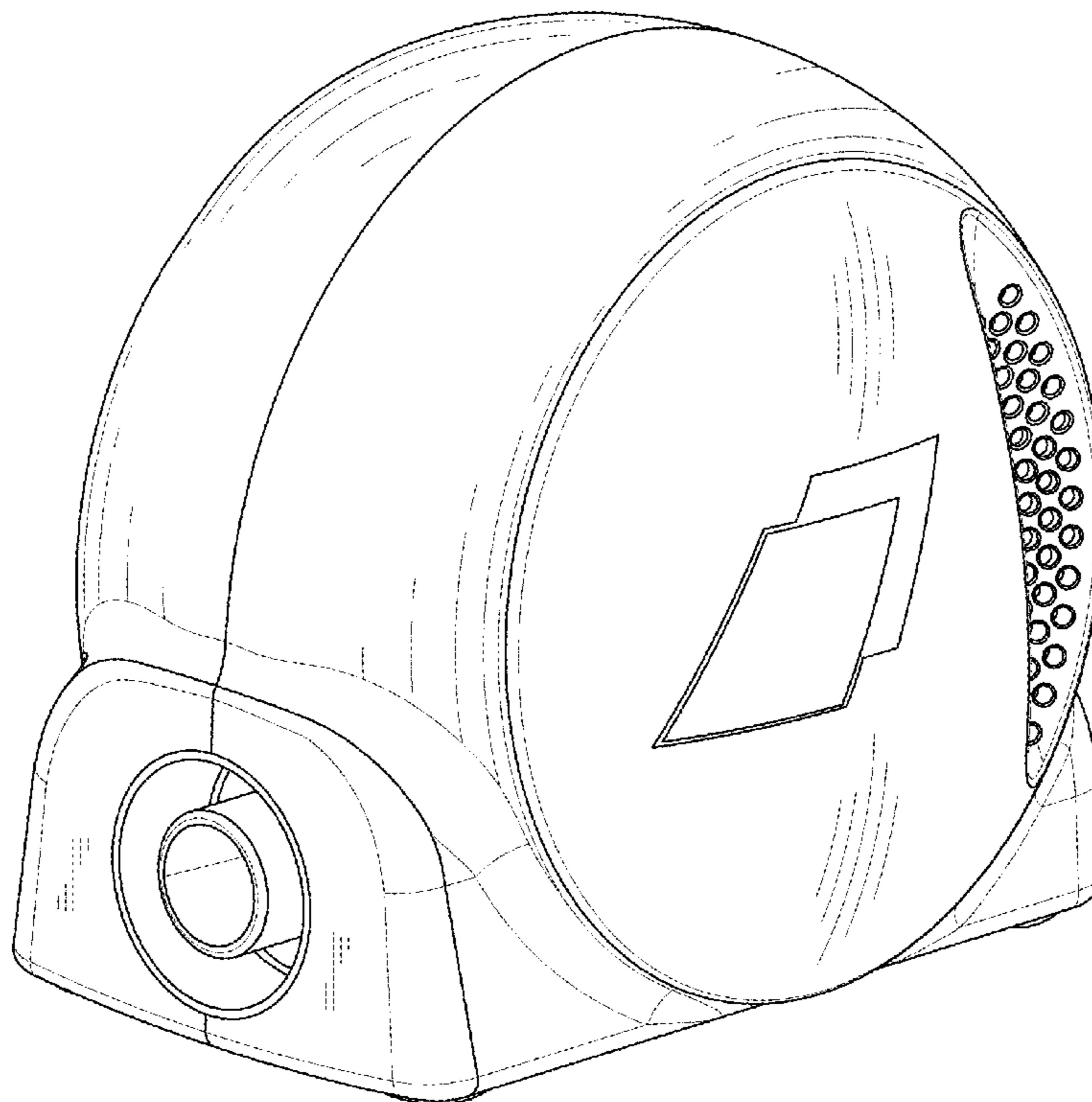
The ornamental design for a pump blower housing, substantially as shown and described.

DESCRIPTION

FIG. 1 is a perspective view of the pump blower housing; FIG. 2 is a front elevation view of the pump blower housing; FIG. 3 is a left-side elevation view of the pump blower housing; FIG. 4 is a rear elevation view of the pump blower housing; FIG. 5 is a right-side elevation view of the pump blower housing; FIG. 6 is a bottom perspective view of the pump blower housing; FIG. 7 is a left-side rear perspective view of the pump blower housing; and, FIG. 8 is a right-side rear perspective view of the pump blower housing.

All surfaces not shown form no part of the claimed design.

1 Claim, 8 Drawing Sheets



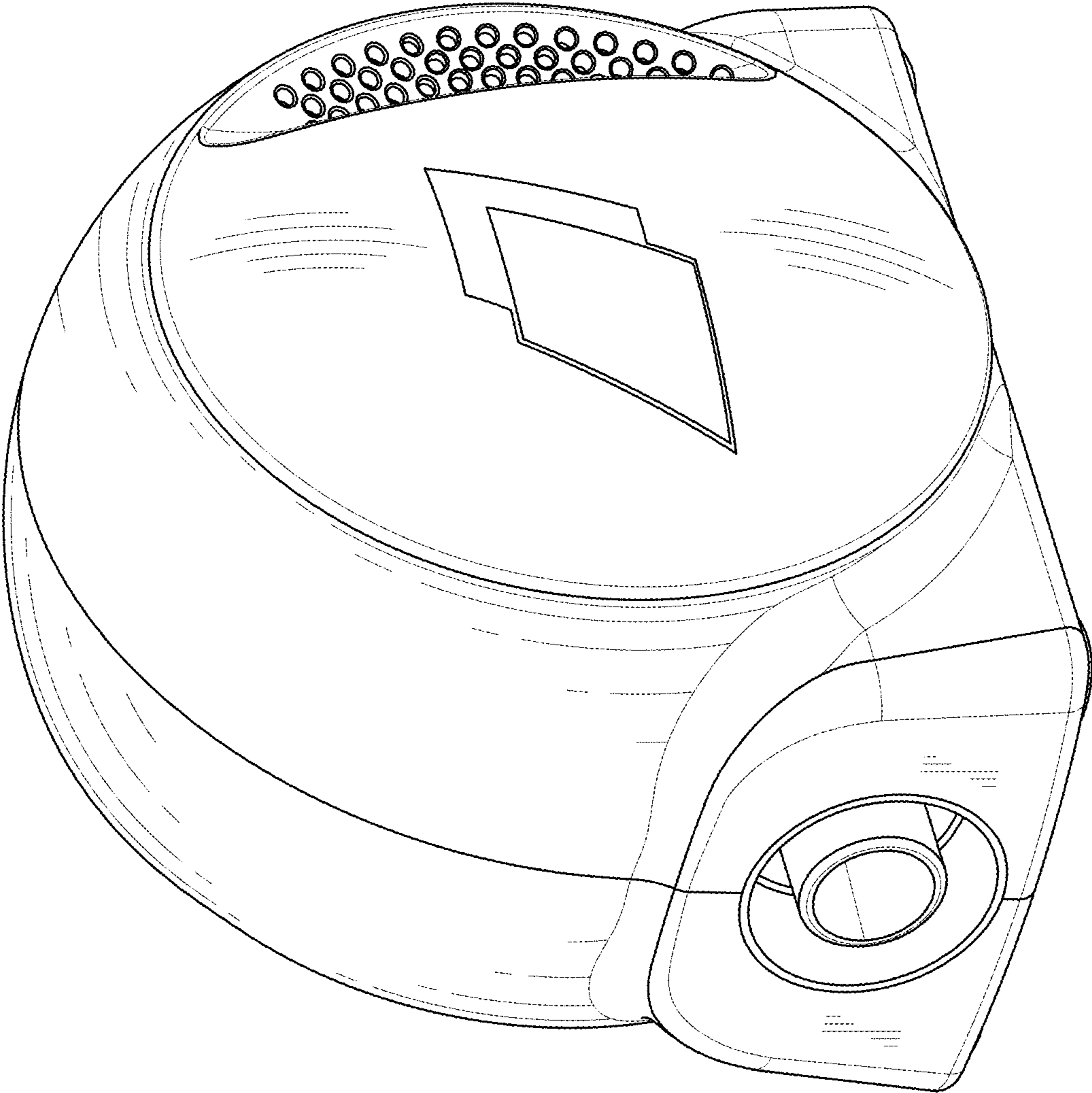


FIG. 1

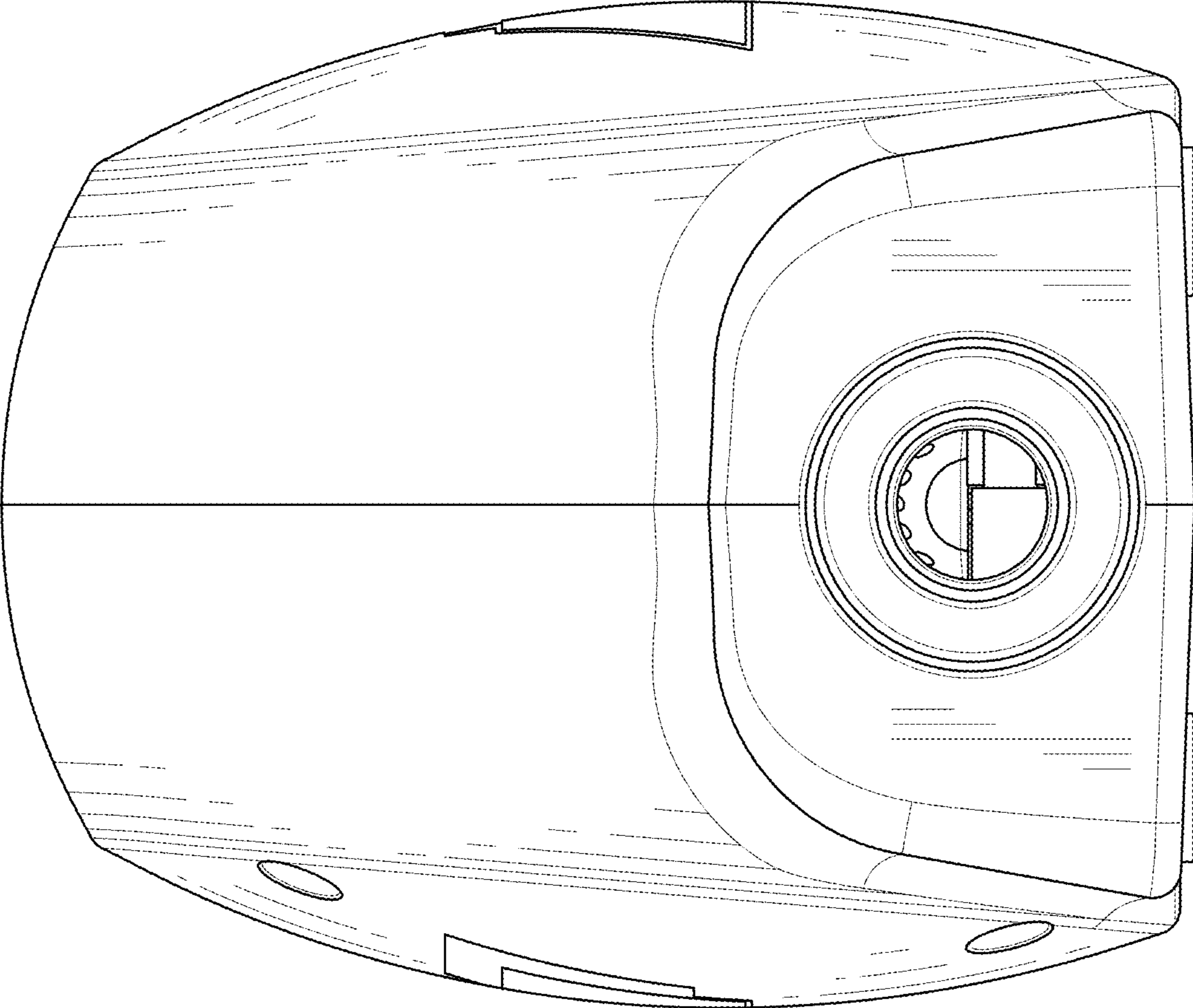


FIG. 2

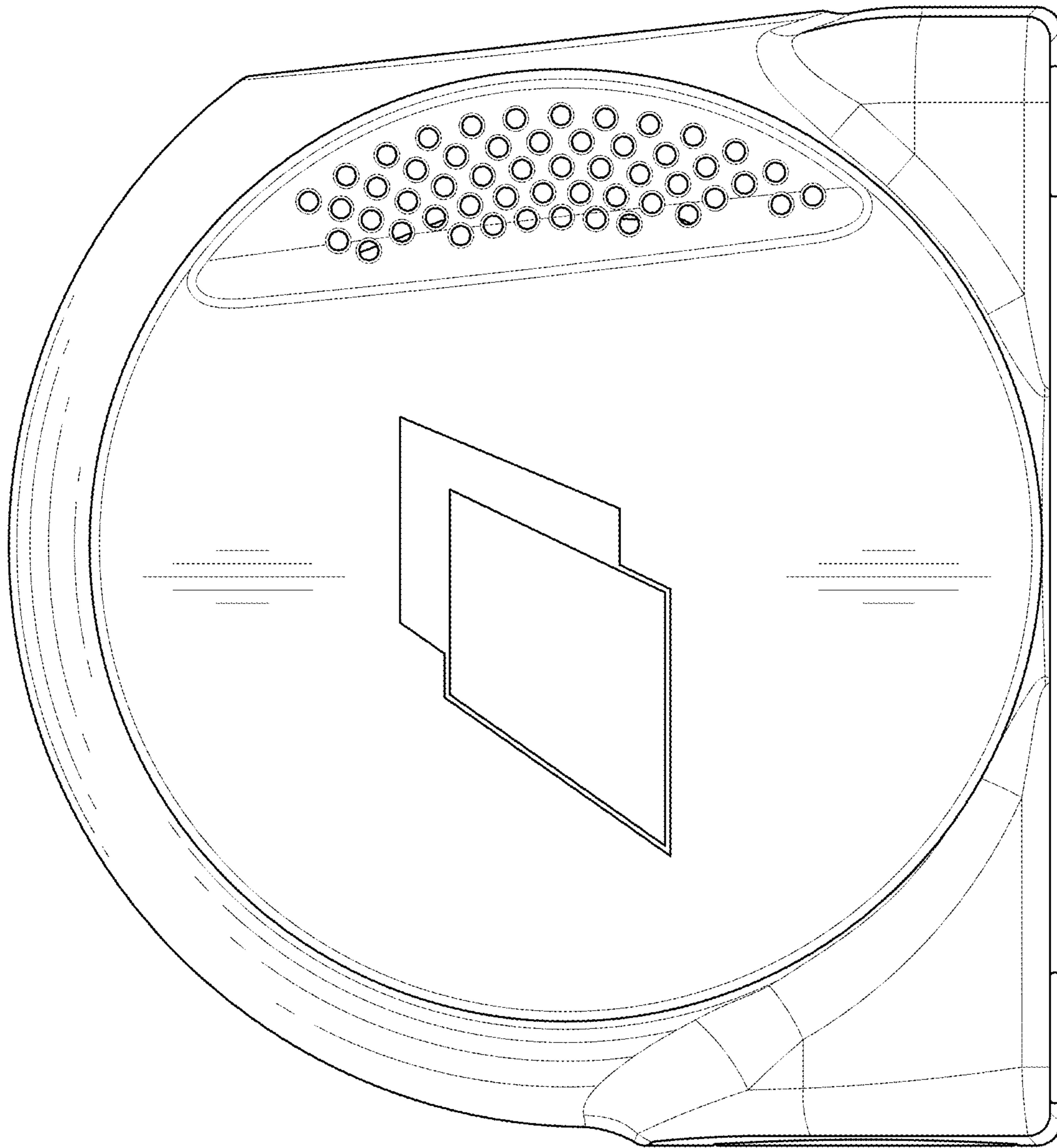


FIG. 3

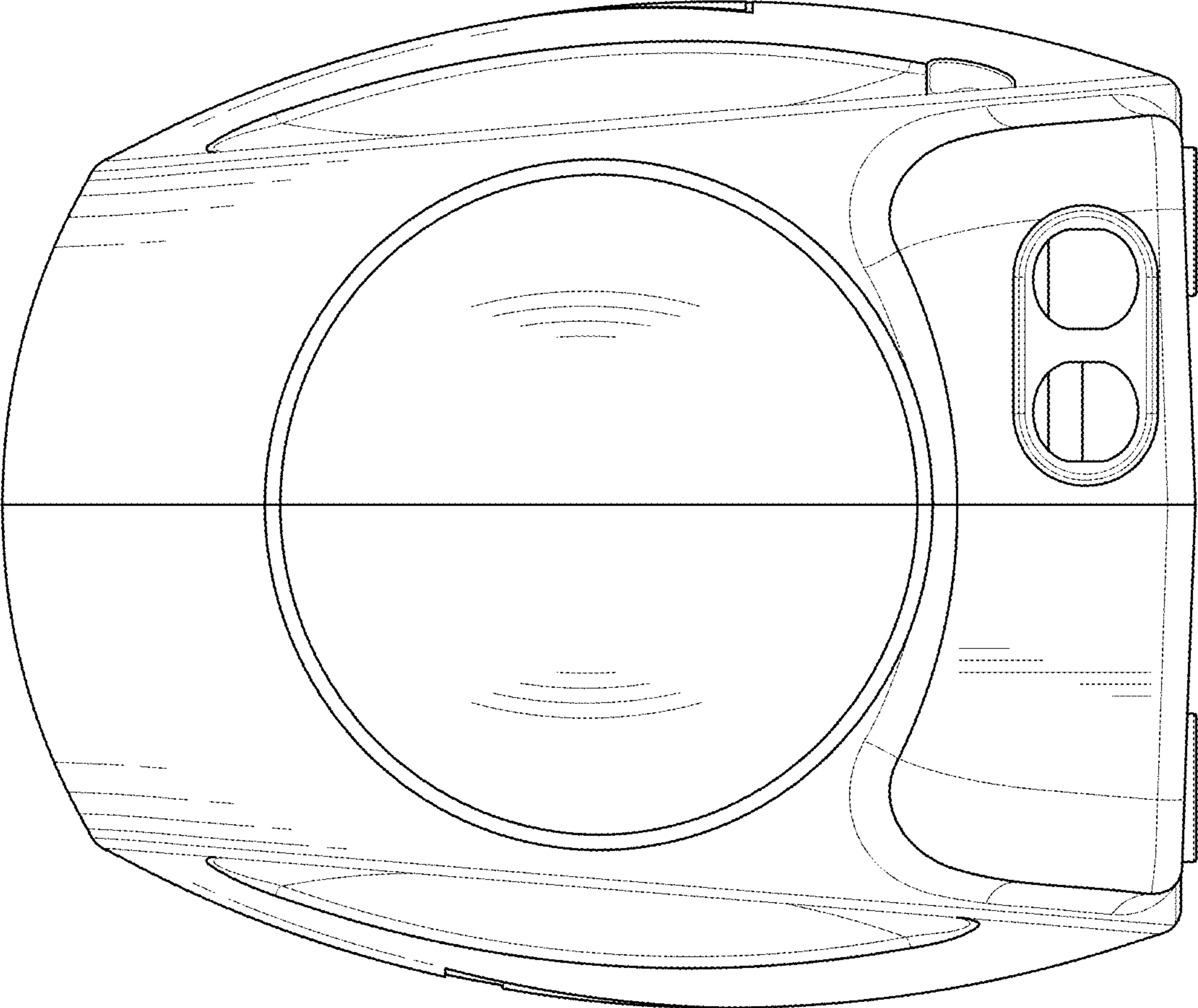


FIG. 4

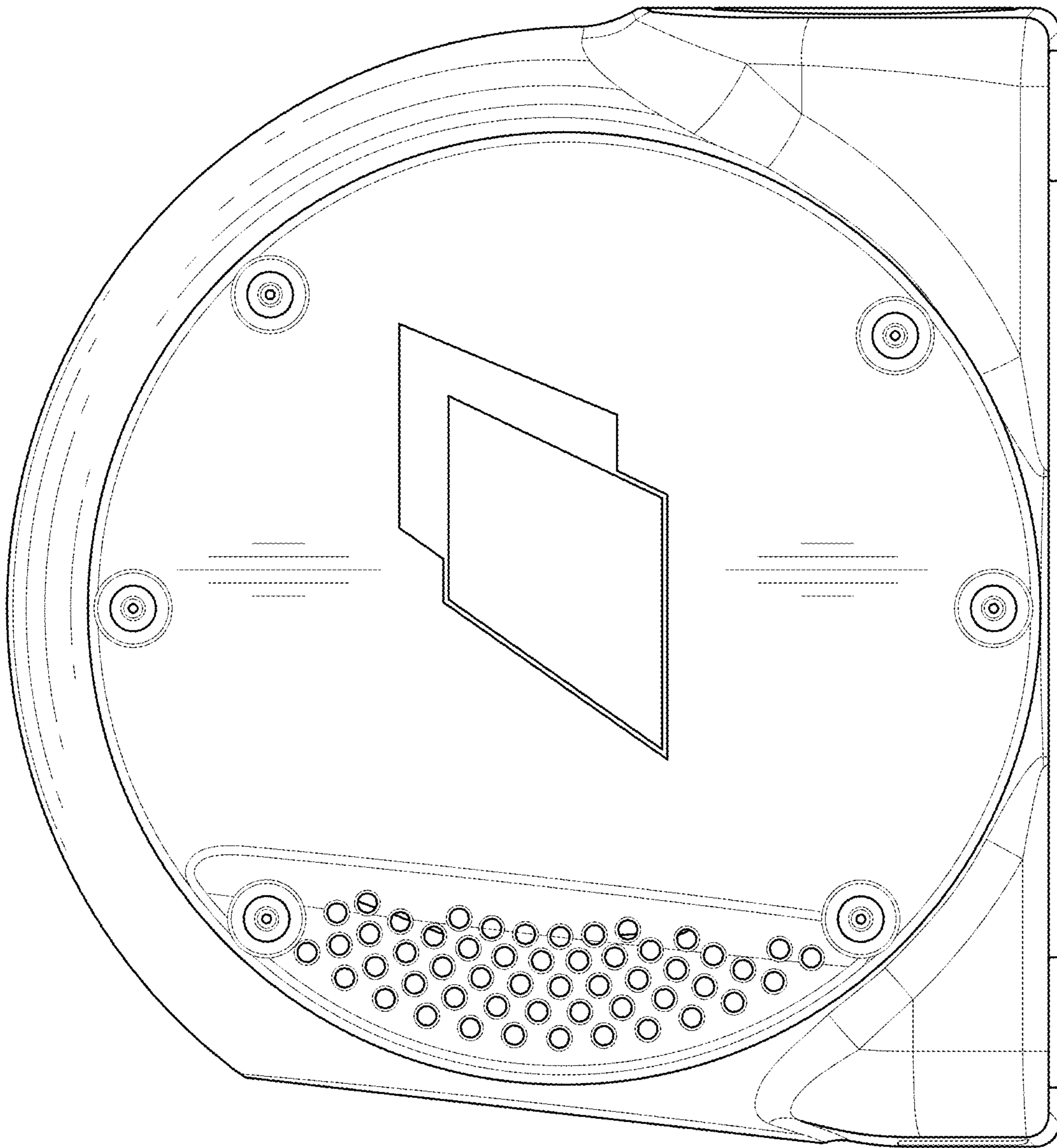


FIG. 5

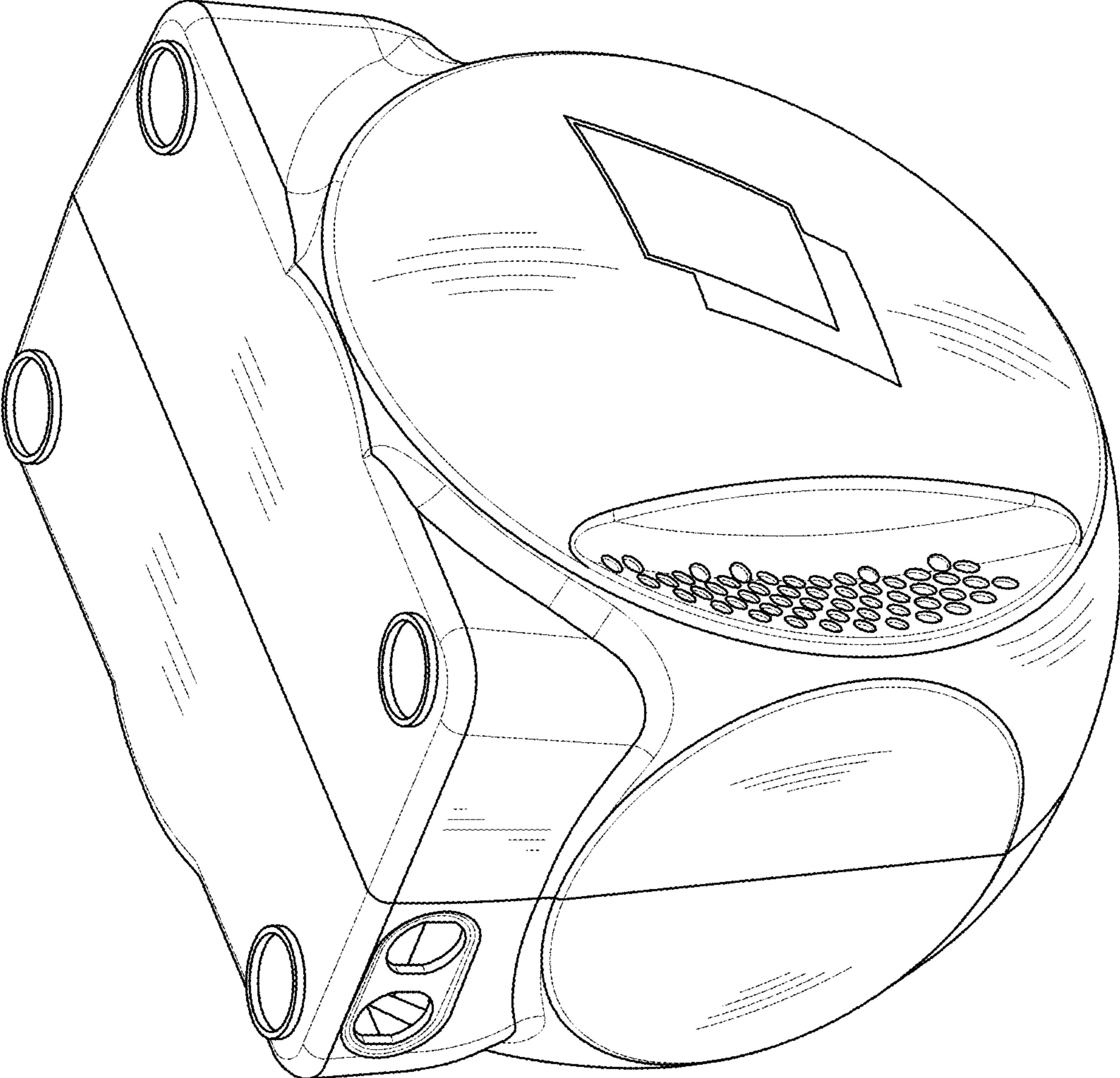


FIG. 6

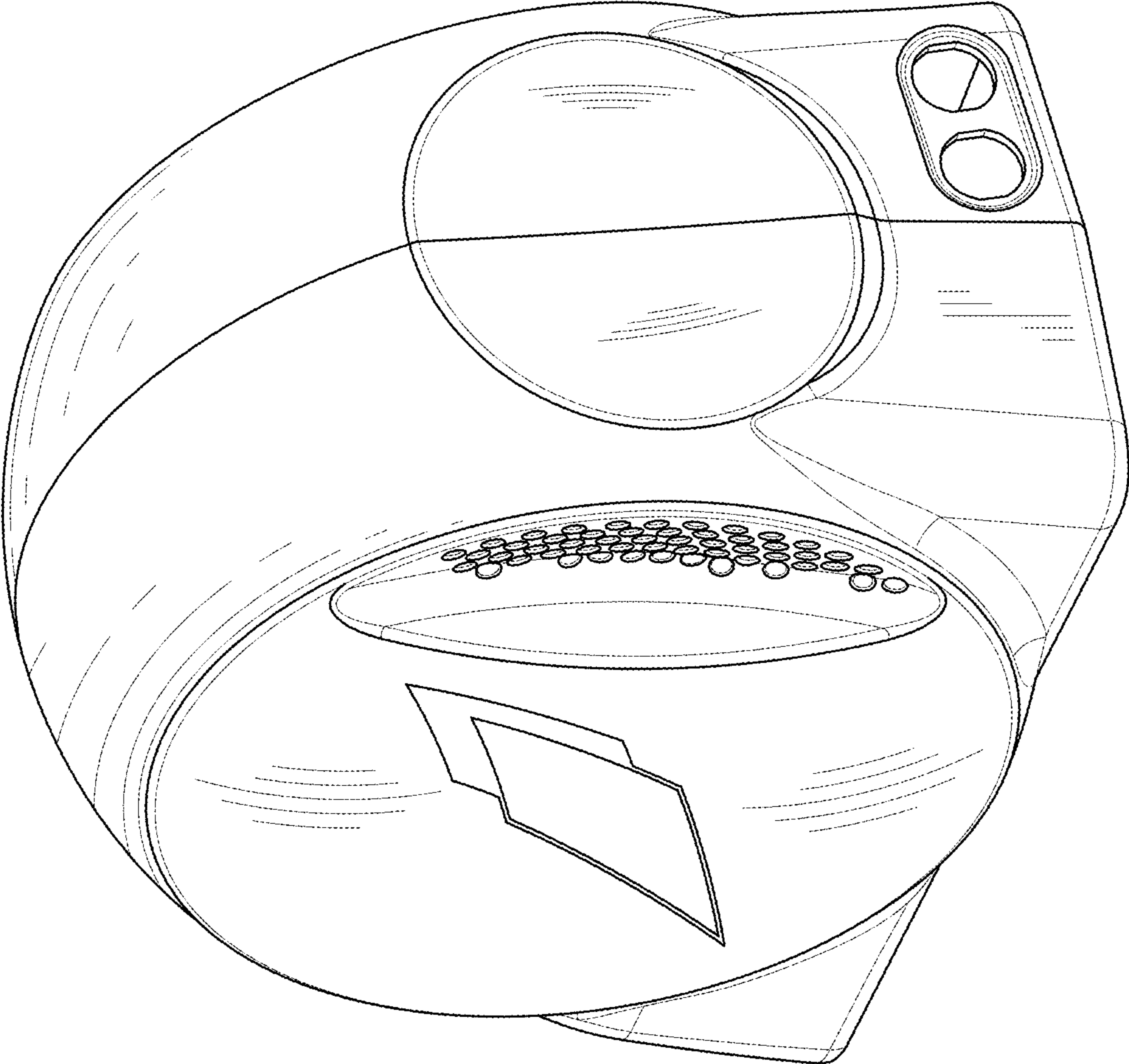


FIG. 7

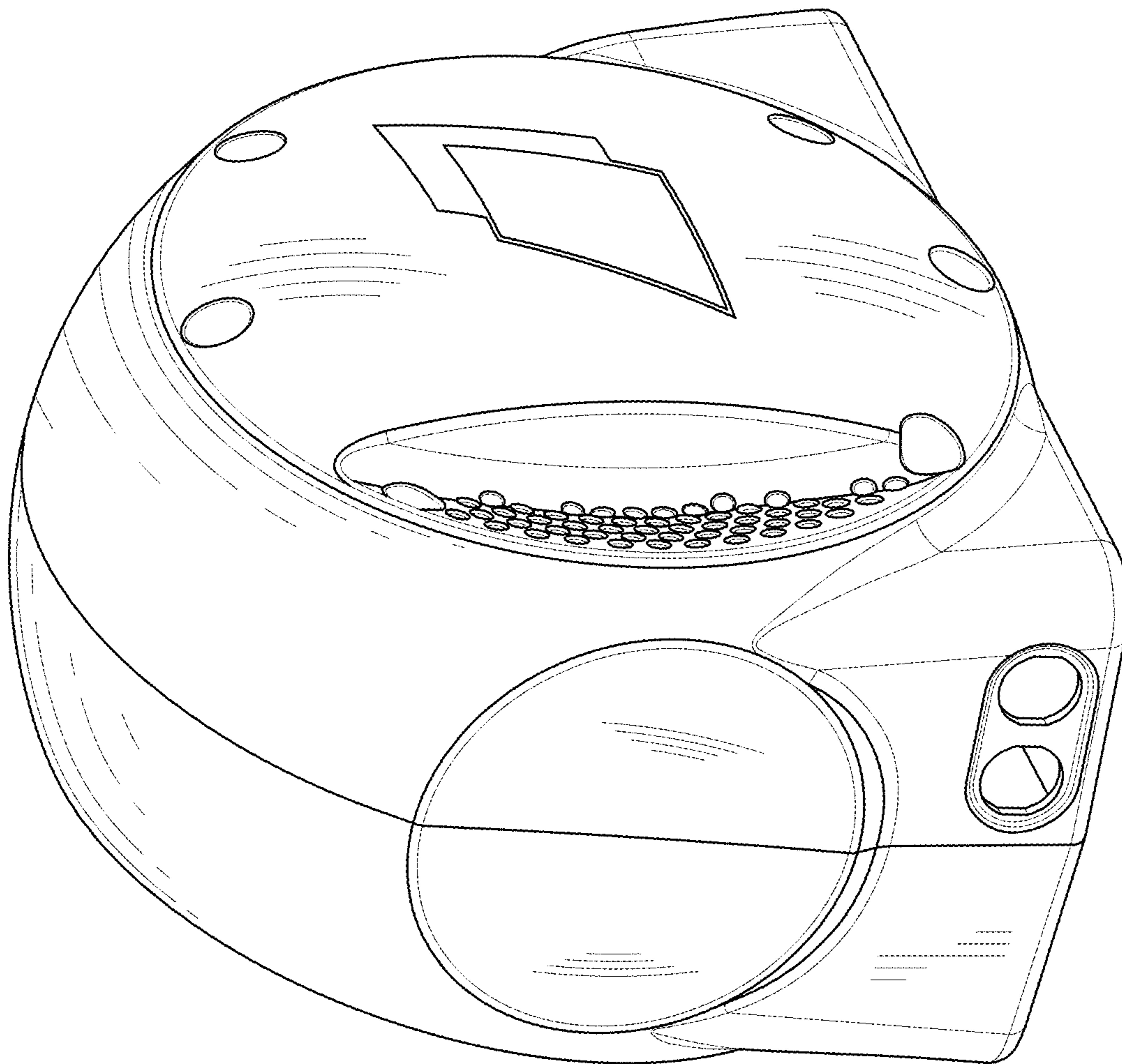


FIG. 8