



US00D904460S

(12) **United States Design Patent** (10) **Patent No.:** **US D904,460 S**
O'Hare (45) **Date of Patent:** **** Dec. 8, 2020**

(54) **AIR MANIFOLD** 7,264,423 B2 * 9/2007 Kowalchuk A01C 7/084
111/175
(71) Applicant: **Curtis O'Hare**, Cabot, AR (US) D635,419 S * 4/2011 Chen D8/25
D656,372 S * 3/2012 Noyes D12/180
(72) Inventor: **Curtis O'Hare**, Cabot, AR (US) D660,665 S * 5/2012 Hsu D8/25
D681,153 S * 4/2013 Nordyke D22/122
D762,267 S * 7/2016 Glasband D21/484
(**) Term: **15 Years** D777,001 S * 1/2017 Huang D8/25
D812,725 S * 3/2018 Sato D23/262
(21) Appl. No.: **29/653,880** 2007/0281578 A1 * 12/2007 Sambenedetto A63H 3/16
446/102

(22) Filed: **Jun. 19, 2018**
(51) **LOC (12) Cl.** **15-01**
(52) **U.S. Cl.**
USPC **D15/5**
(58) **Field of Classification Search**
USPC D15/5, 199; D24/129; D8/349, 382,
D8/387, 14, 25; D21/487, 488, 498
CPC A63H 33/062; A61H 23/04
See application file for complete search history.

* cited by examiner

Primary Examiner — Sheryl Lane
Assistant Examiner — Mark T. Philipps

(57) **CLAIM**

The ornamental design of an air manifold, as shown and described.

(56) **References Cited**

U.S. PATENT DOCUMENTS

3,968,590 A * 7/1976 Kitterman A01M 1/02
43/114
D241,054 S * 8/1976 Fortier D21/498
3,998,003 A * 12/1976 Rosenbaum A63H 33/102
446/119
D269,569 S * 7/1983 Bowen D6/367
4,818,041 A * 4/1989 Oertley B62D 55/145
295/20
6,227,770 B1 * 5/2001 Poncelet A01C 7/084
406/195
D550,783 S * 9/2007 Glickman D21/488

DESCRIPTION

FIG. 1 is a perspective view of the invention.
FIG. 2 is a side elevational view of the invention.
FIG. 3 is a top plan view of the invention; and,
FIG. 4 is a bottom plan view of the invention.
The invention is generally circular and symmetrical, and thus a single side view is representative of the view from all sides. The broken lines represent portions of the article and form no part of the claimed design.

1 Claim, 2 Drawing Sheets

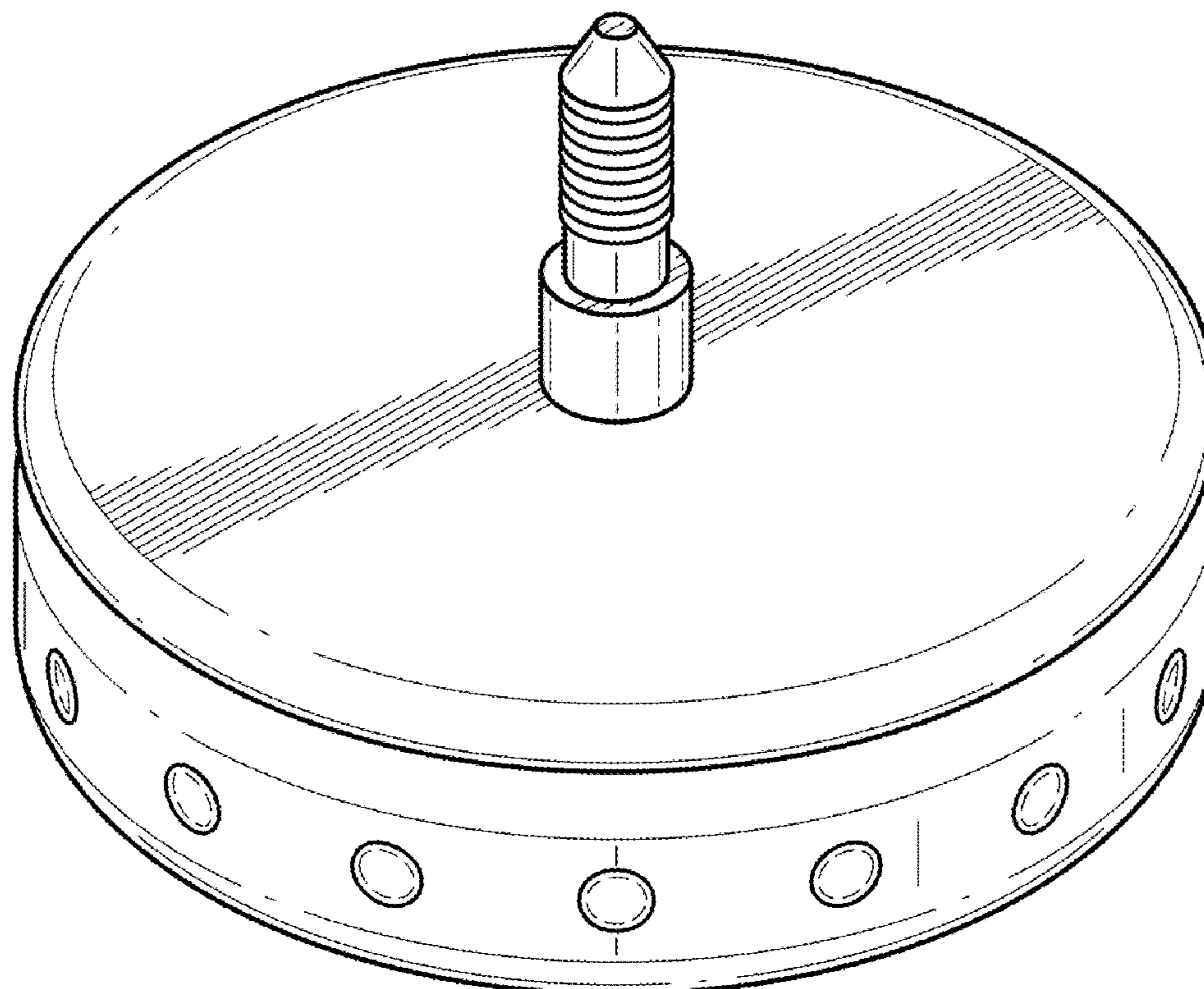


FIG. 1

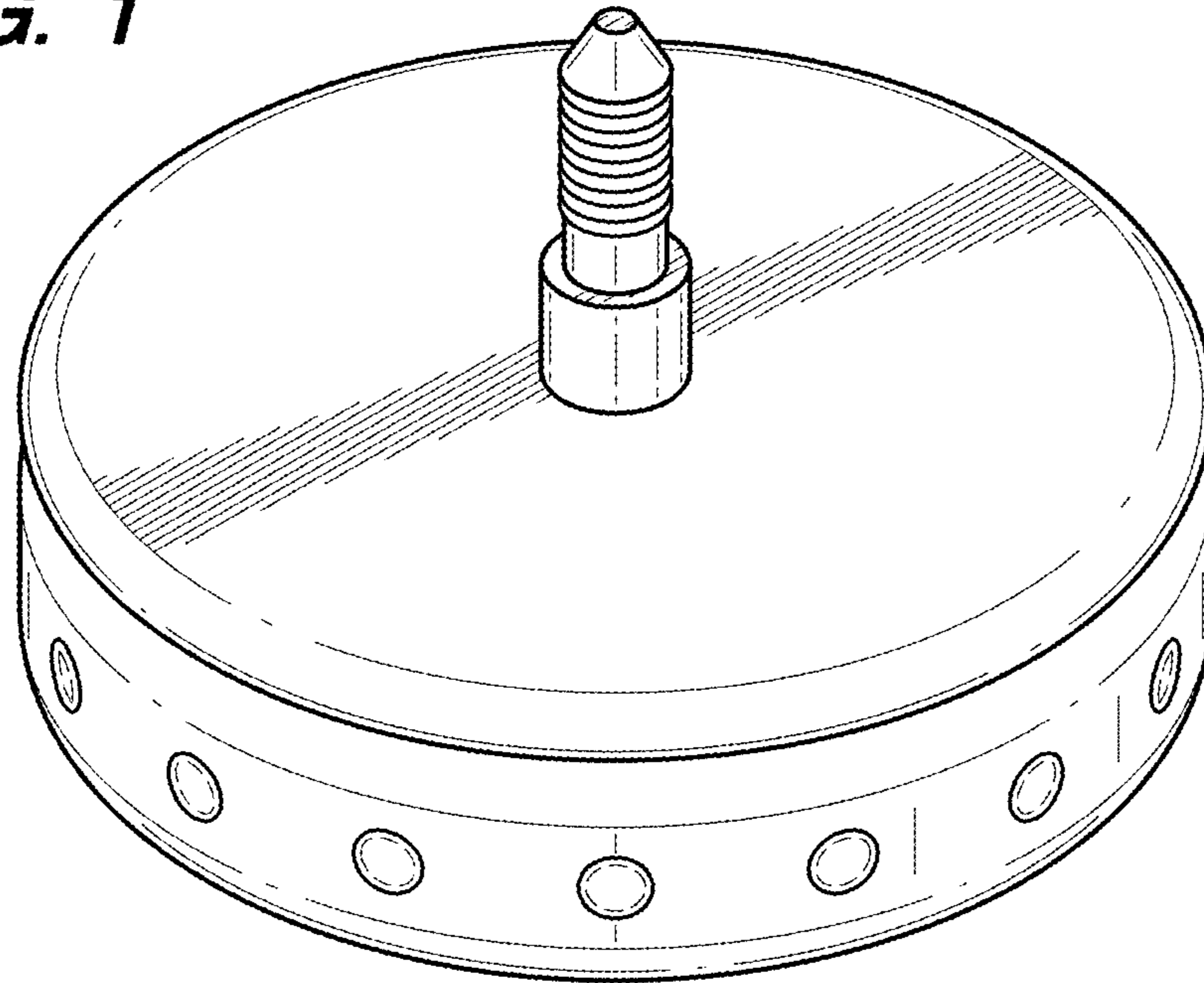


FIG. 2

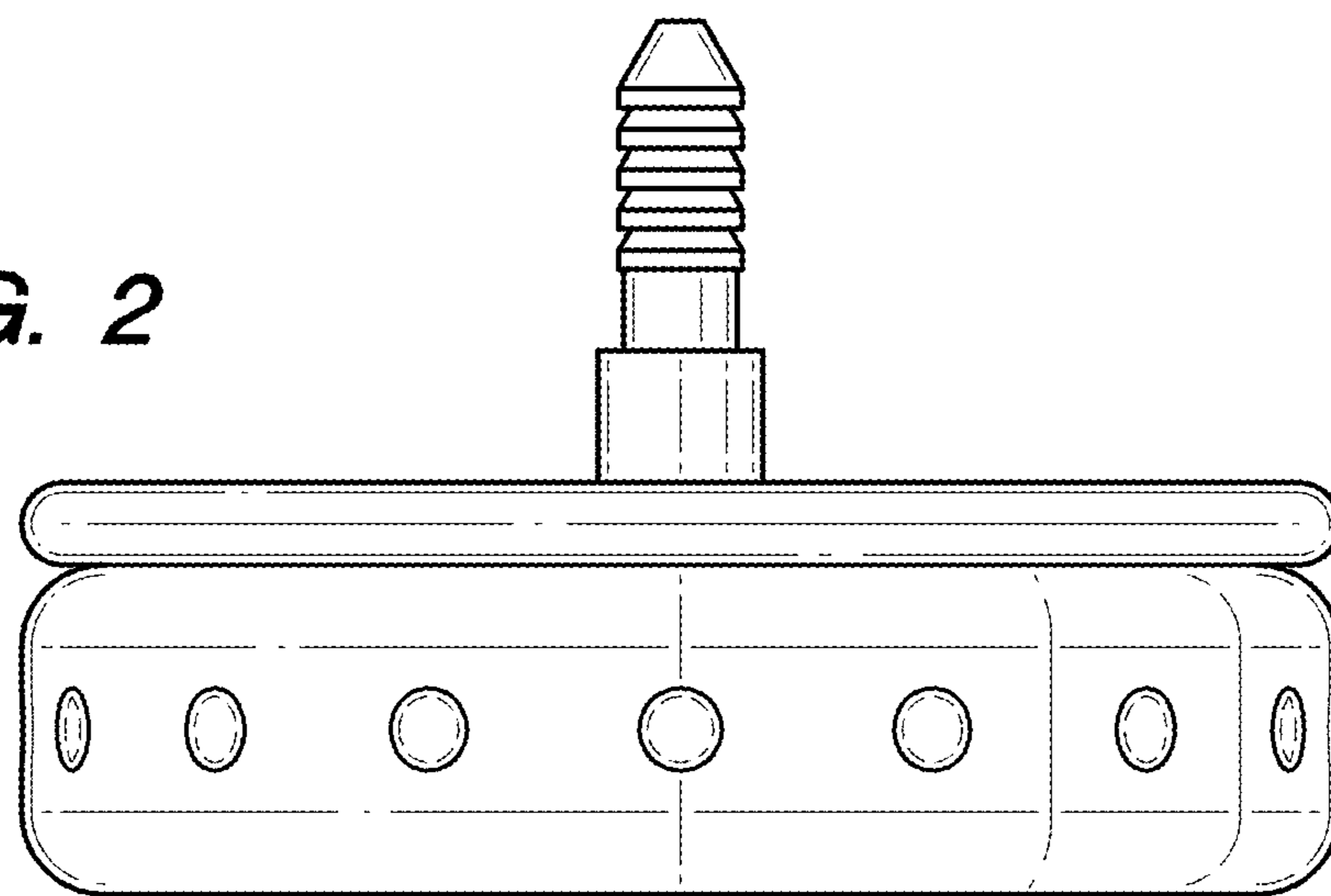


FIG. 3

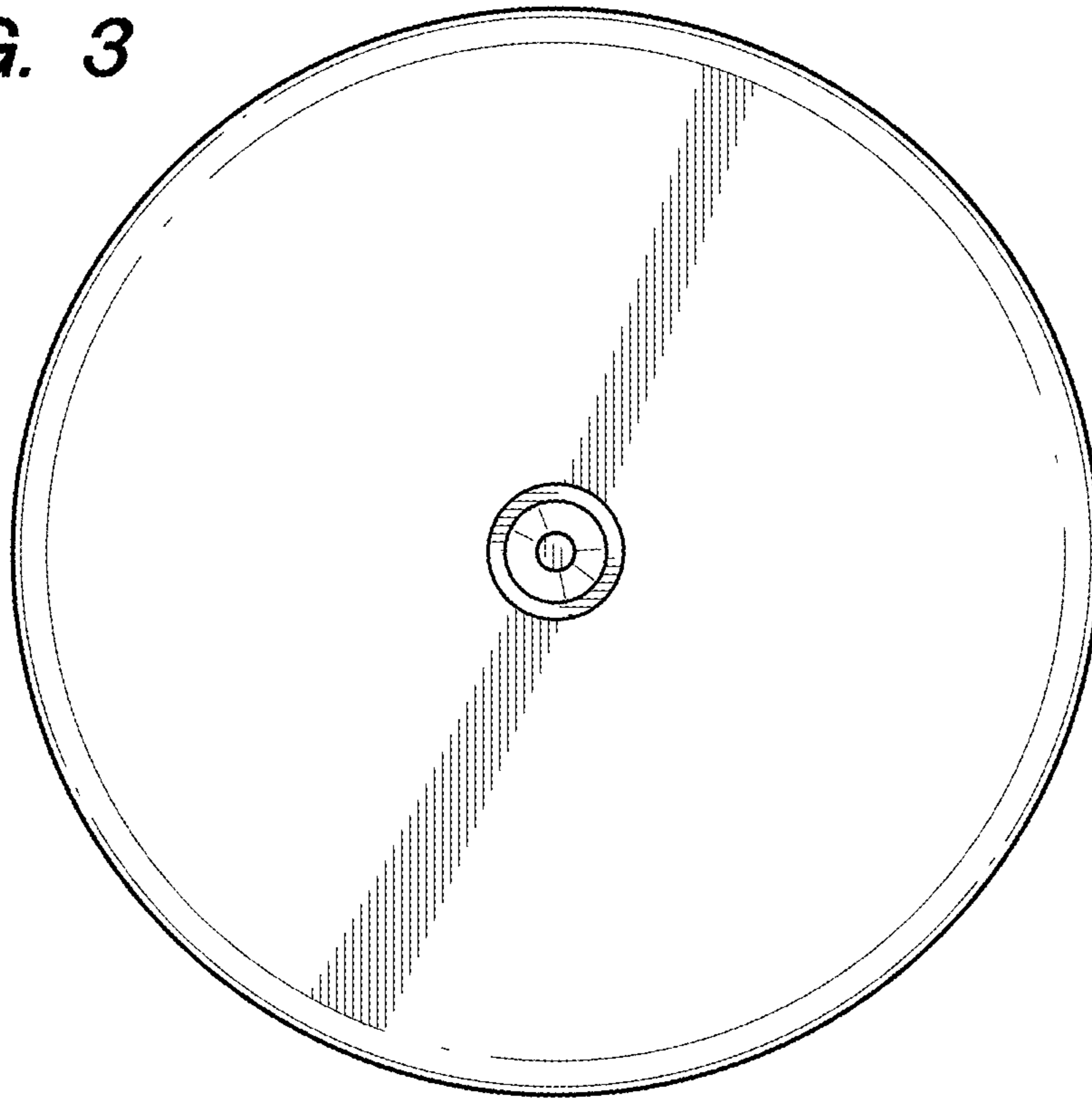


FIG. 4

