



US00D904459S

(12) **United States Design Patent** (10) **Patent No.:** **US D904,459 S**
Pan (45) **Date of Patent:** **** Dec. 8, 2020**

(54) **CD PLAYER**
(71) Applicant: **SHENZHEN JHS TECHNOLOGY CO., LTD.**, Shenzhen (CN)
(72) Inventor: **Deng Pan**, Shenzhen (CN)
(**) Term: **15 Years**
(21) Appl. No.: **29/724,157**
(22) Filed: **Feb. 13, 2020**
(51) **LOC (12) Cl.** **14-01**
(52) **U.S. Cl.**
USPC **D14/507**
(58) **Field of Classification Search**
USPC D14/356, 363, 365, 498-511, 168-172,
D14/188-198, 203.1-204
CPC B60K 35/00; B60K 37/00; B60K 37/02;
B60K 37/06; B60R 11/02; G11B 17/02;
G11B 17/04
See application file for complete search history.

D447,747 S * 9/2001 Ogden D14/507
D467,891 S * 12/2002 Tokioka D14/203.3
D491,904 S * 6/2004 Johansson D14/507
D512,706 S * 12/2005 Nakane D14/507
D531,605 S * 11/2006 Chen D14/507
D542,752 S * 5/2007 Liang D14/507
D858,578 S * 9/2019 Fang D14/507

* cited by examiner

Primary Examiner — Sandra L Morris
(74) *Attorney, Agent, or Firm* — KA Filing LLC; Cynthia W. Flanagan

(57) **CLAIM**

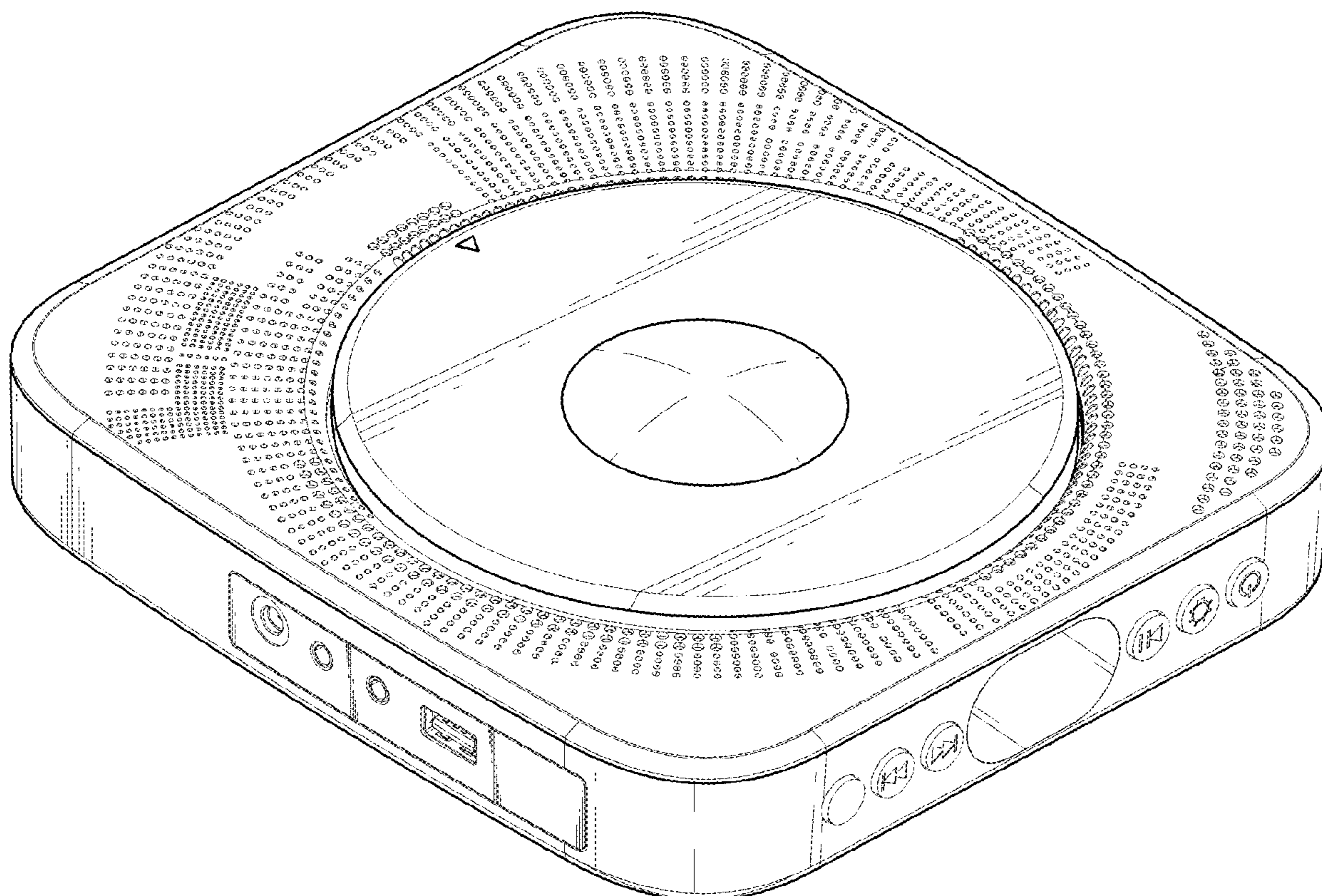
I claim the ornamental design for a CD player, as shown and described.

DESCRIPTION

FIG. 1 is a Perspective view of a CD player showing my new design;
FIG. 2 is a Front view thereof;
FIG. 3 is a Back view thereof;
FIG. 4 is a Left-side view thereof;
FIG. 5 is a Right-side view thereof;
FIG. 6 is a Top view thereof; and,
FIG. 7 is a Bottom view thereof.
The broken lines are only for environmental purposes and form no part of the claimed design.

1 Claim, 5 Drawing Sheets

(56) **References Cited**
U.S. PATENT DOCUMENTS
D312,083 S * 11/1990 Takada D14/501
D320,789 S * 10/1991 Sogabe D14/500
D405,082 S * 2/1999 Shibata D14/507
D408,408 S * 4/1999 Ito D14/510
D410,463 S * 6/1999 Hattori D14/507
D415,757 S * 10/1999 Takahashi D14/507



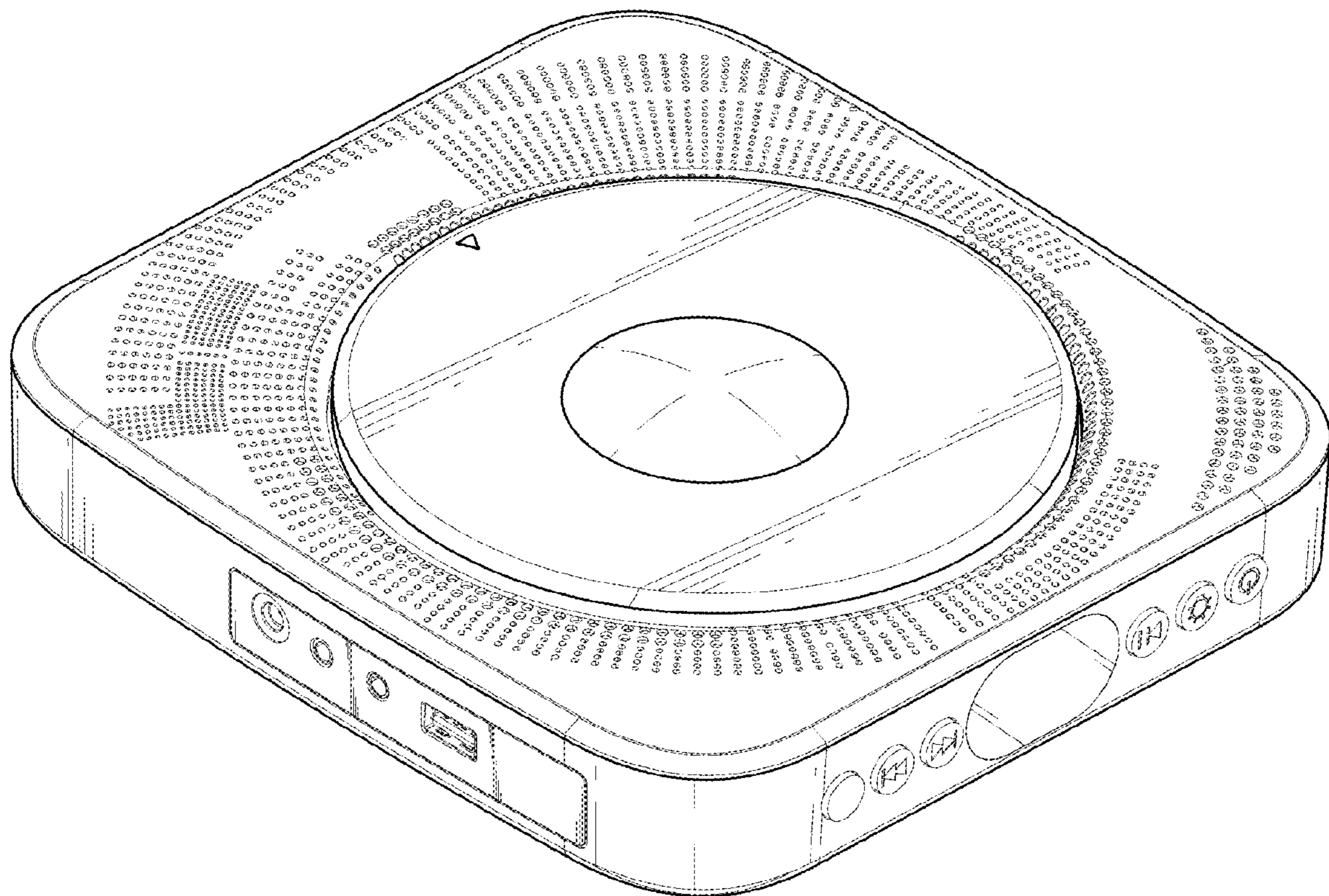


FIG. 1

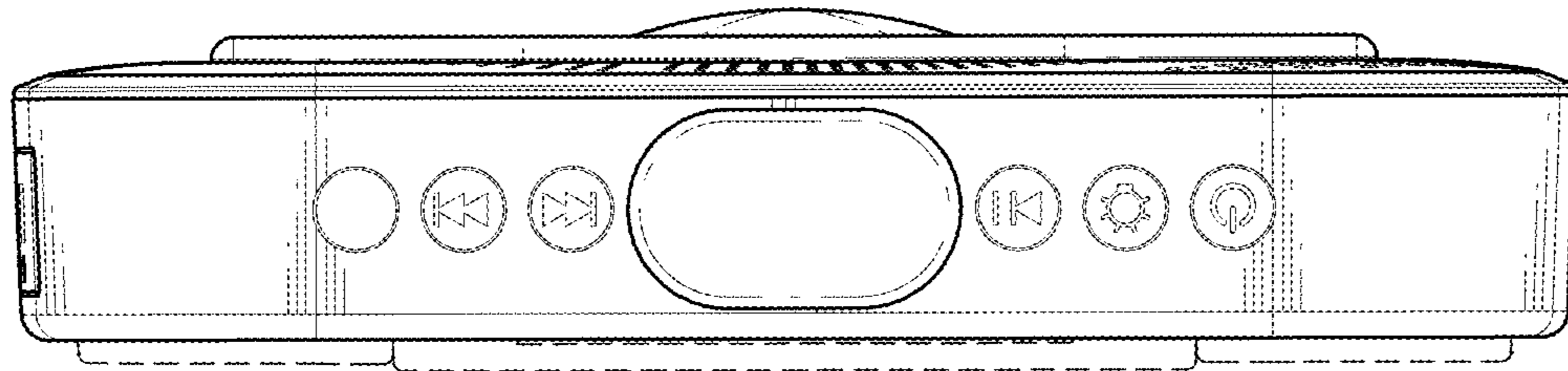


FIG. 2

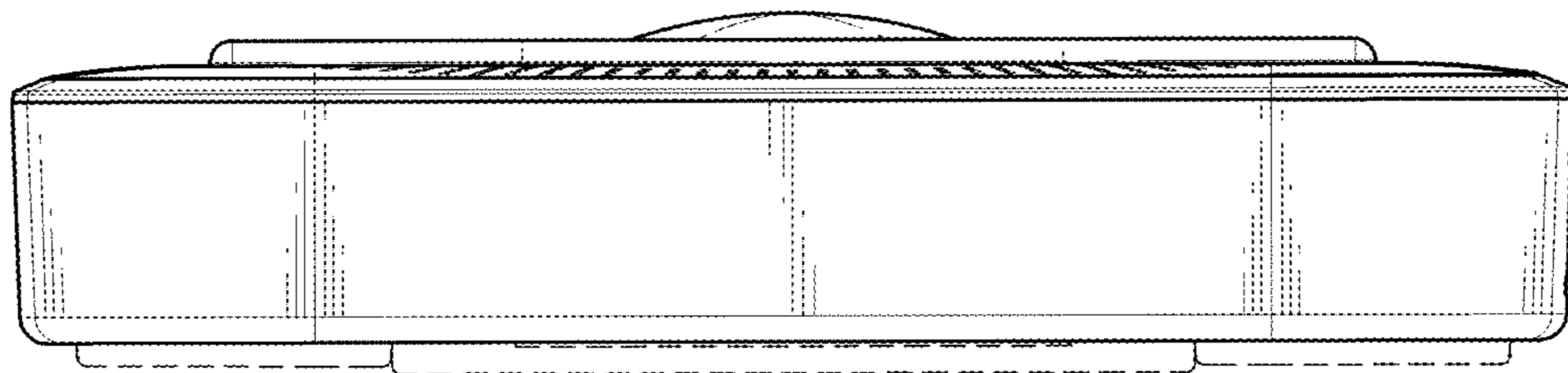


FIG. 3

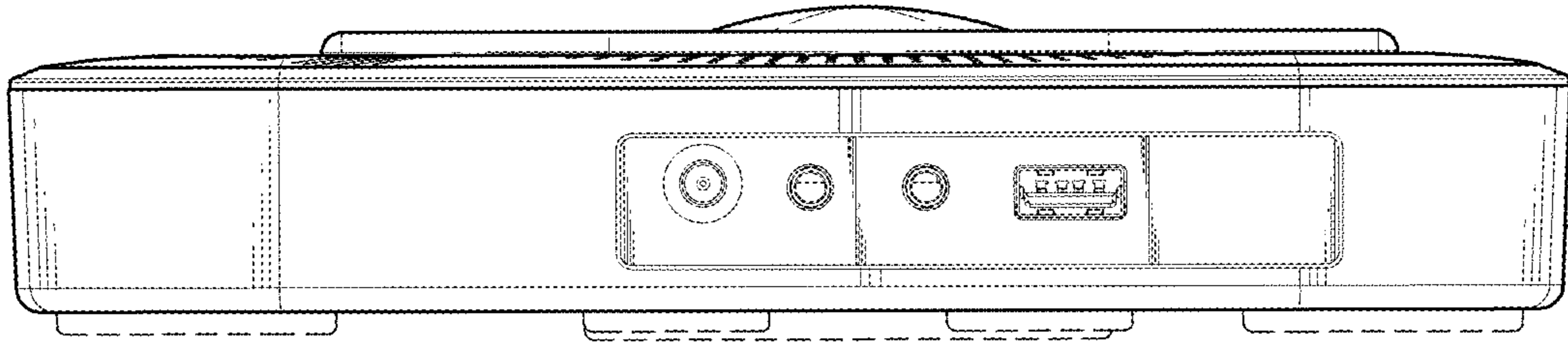


FIG. 4

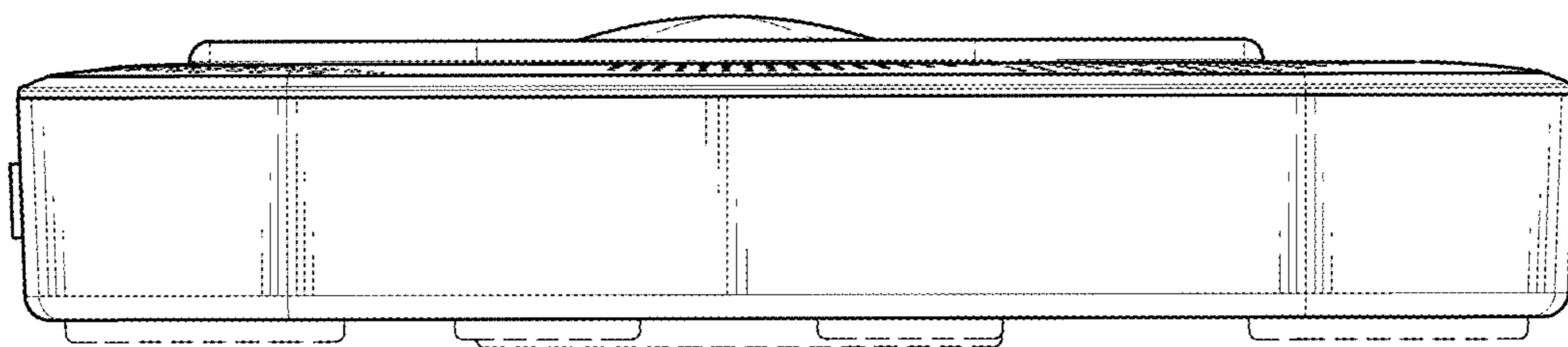


FIG. 5

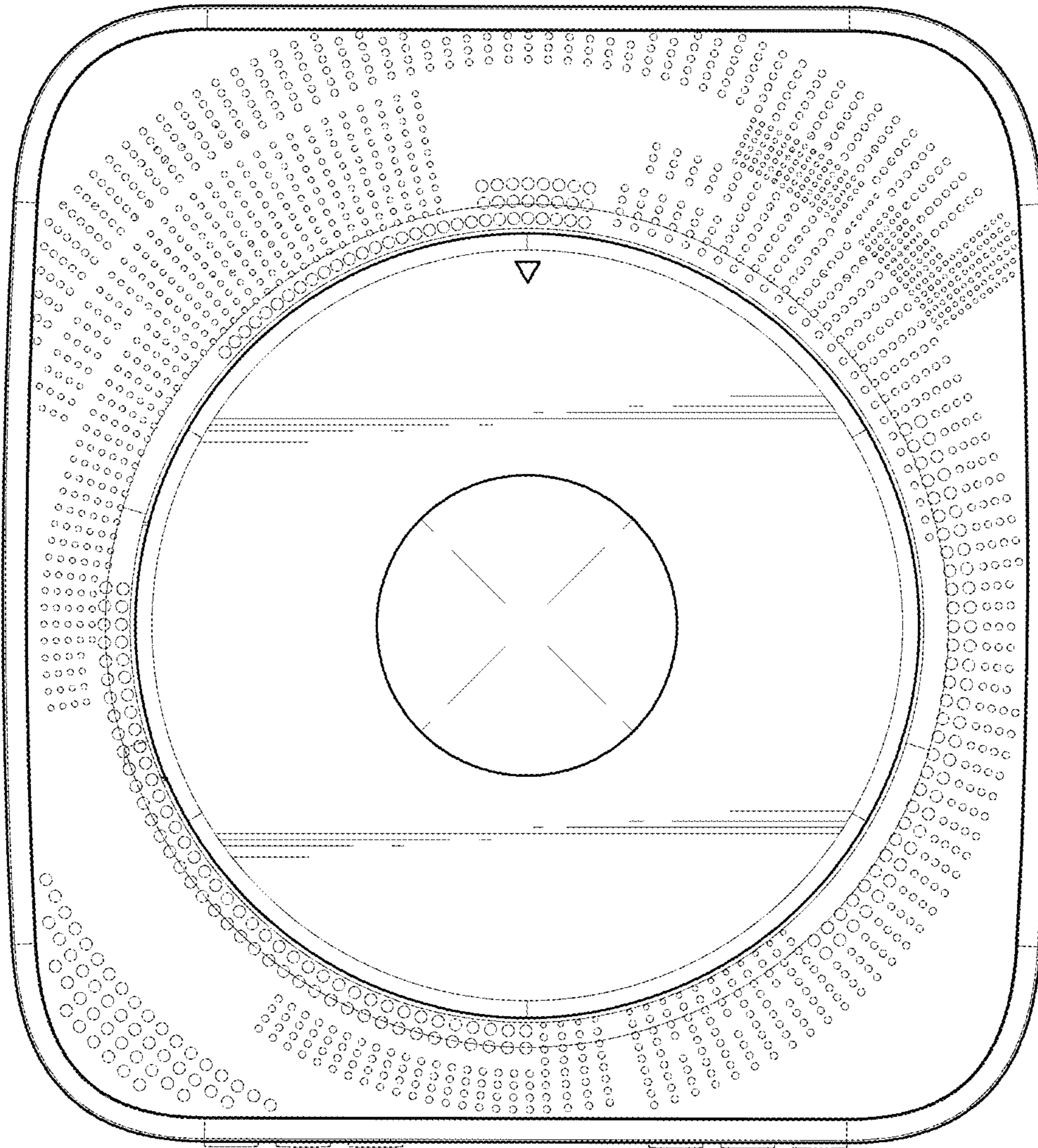


FIG. 6

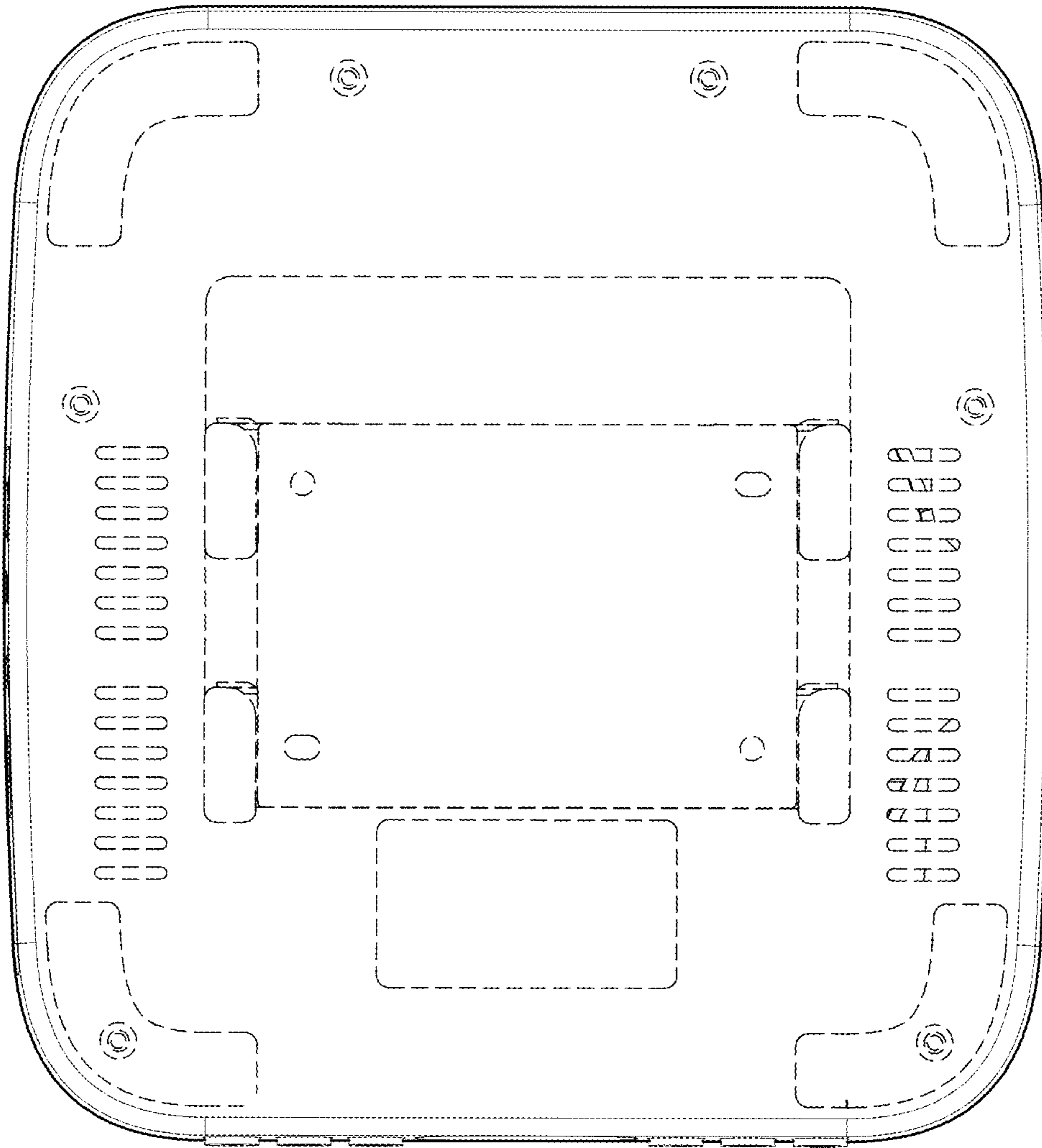


FIG. 7