

US00D904457S

(12) **United States Design Patent** (10) **Patent No.:** **US D904,457 S**
Elia et al. (45) **Date of Patent:** **** Dec. 8, 2020**

(54) **DISPLAY SCREEN OR PORTION THEREOF WITH ANIMATED GRAPHICAL USER INTERFACE**

D587,278 S 2/2009 Sans
D591,306 S 4/2009 Setiawan et al.
D595,312 S * 6/2009 Nijjima D14/492
(Continued)

(71) Applicant: **Reliance Worldwide Corporation,**
Atlanta, GA (US)

OTHER PUBLICATIONS

(72) Inventors: **Sam Elia,** Atlanta, GA (US); **Ben Robinson,** Atlanta, GA (US); **Callie Cullum,** Atlanta, GA (US)

“A holistic approach to your event marketing needs” Mar. 15, 2017, posted at lomaagency.com, [site visited May 6, 2020]. <https://web.archive.org/web/20170315132609/https://lomaagency.com/services> (Year: 2017).*

(73) Assignee: **Reliance Worldwide Corporation,**
Atlanta, GA (US)

(Continued)

(**) Term: **15 Years**

Primary Examiner — Jack Reickel

Assistant Examiner — John M Otte

(21) Appl. No.: **29/676,141**

(74) *Attorney, Agent, or Firm* — Foley & Lardner LLP

(22) Filed: **Jan. 8, 2019**

(57) **CLAIM**

We claim the ornamental design for a display screen or portion thereof with animated graphical user interface, as shown and described.

Related U.S. Application Data

DESCRIPTION

(63) Continuation of application No. 29/643,929, filed on Apr. 12, 2018, now Pat. No. Des. 857,053.

(51) **LOC (12) Cl.** **14-04**

(52) **U.S. Cl.**
USPC **D14/492**

(58) **Field of Classification Search**
USPC D14/485–495; D20/11; D21/324, 325
CPC G06F 3/048; G06F 3/0481; G06F 3/04817;
G06F 3/0482; G06F 3/0483; G06F 3/04842; G06F 3/0485; G06F 3/04855;
G06F 3/0486; G06F 3/0488; G06F 3/04886; G06F 9/4443; G06F 17/211;
G06F 17/212; G01F 1/66; G01F 1/661;
G01F 1/662; G01F 1/663

FIG. 1 is a front view of an embodiment of the claimed design of a display screen or portion thereof with an animated graphical user interface showing a first image in a sequence;

FIG. 2 is a second image thereof;

FIG. 3 is a third image thereof;

FIG. 4 is a fourth image thereof; and,

FIG. 5 is a fifth image thereof.

The outermost broken lines in the Figures illustrate a display screen or portion thereof and form no part of the claimed design. The other broken lines in the Figures illustrate portions of the graphical user interface and icon that form no part of the claimed design. The appearance of the transitional image sequentially transitions between the images shown in FIGS. 1-5. The process or period in which one image transitions to another forms no part of the claimed design.

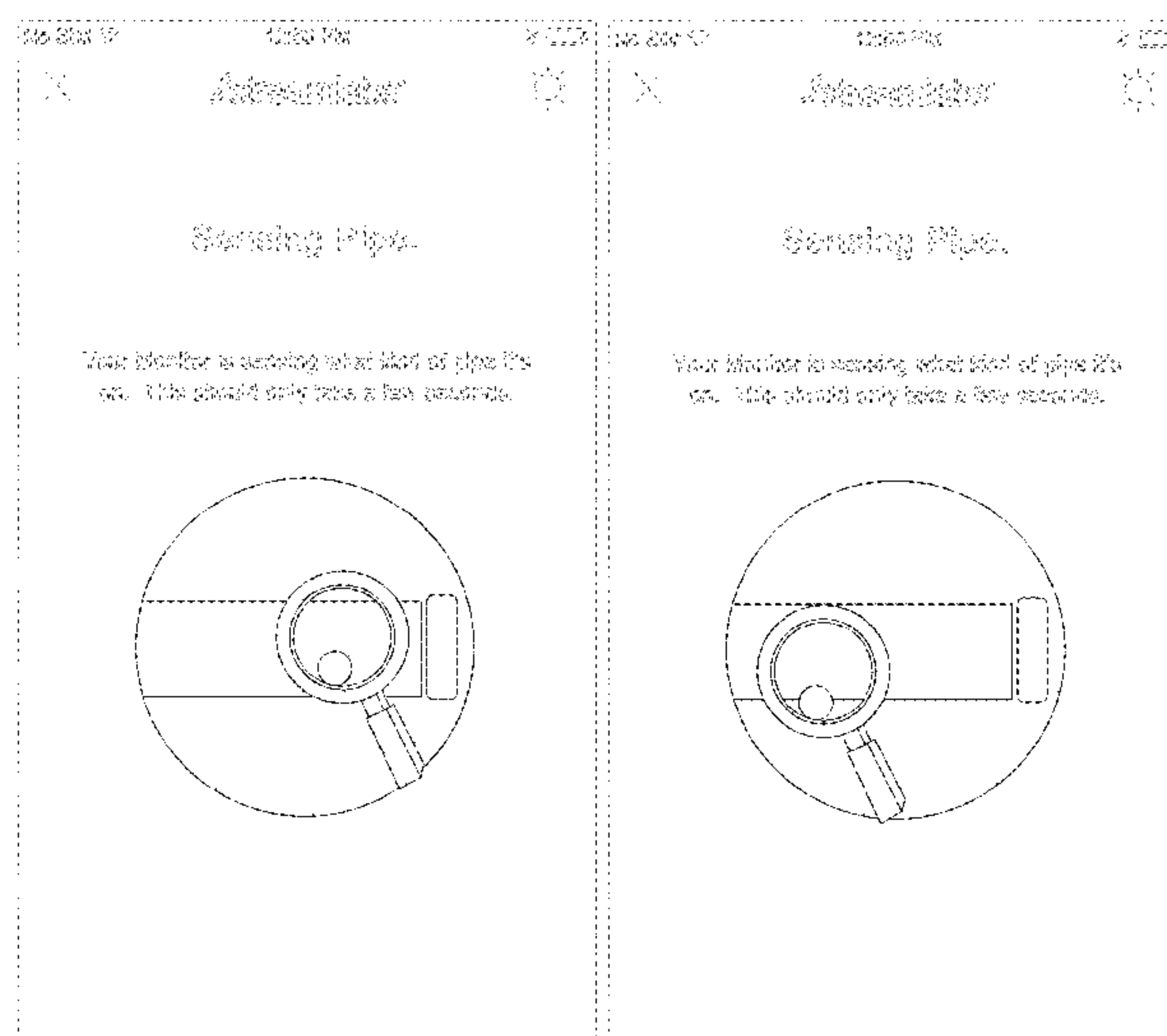
See application file for complete search history.

(56) **References Cited**

U.S. PATENT DOCUMENTS

5,751,606 A 5/1998 Migachyov et al.
D547,767 S * 7/2007 Jewitt D14/492

1 Claim, 5 Drawing Sheets



(56)

References Cited

U.S. PATENT DOCUMENTS

D604,308 S 11/2009 Takano
 D628,212 S 11/2010 Molden
 D638,028 S 5/2011 Cook et al.
 D649,159 S * 11/2011 Viggers D14/492
 8,108,462 B2 1/2012 Morotomi
 D664,984 S * 8/2012 Lee D14/488
 D690,311 S 9/2013 Waldman
 D694,778 S * 12/2013 Gyllensward D14/489
 D701,879 S 4/2014 Foit et al.
 8,701,014 B1 4/2014 Schlegel et al.
 D705,257 S * 5/2014 Gerssen D14/491
 D705,810 S 5/2014 Ma et al.
 D728,611 S 5/2015 Takano
 D733,753 S * 7/2015 Kim D14/492
 D739,872 S 9/2015 Bang et al.
 D746,860 S * 1/2016 Boot D14/489
 D748,126 S 1/2016 Sarukkai et al.
 D752,098 S 3/2016 Kim et al.
 D752,624 S 3/2016 Butcher et al.
 D754,173 S 4/2016 Kim
 D754,682 S 4/2016 Lee et al.
 D756,373 S 5/2016 Raskin et al.
 D757,105 S * 5/2016 Park D14/490
 D758,422 S 6/2016 Zhao
 D760,791 S 7/2016 Liu et al.
 D760,792 S 7/2016 Liu et al.
 D762,716 S 8/2016 Yang et al.
 D763,308 S 8/2016 Wang et al.
 D763,921 S 8/2016 Dharwada et al.
 D766,958 S 9/2016 Salazar Cardozo et al.
 D770,517 S 11/2016 Peng et al.
 D771,076 S 11/2016 Butcher et al.
 D771,705 S 11/2016 Dharwada et al.
 D772,893 S 11/2016 An
 D775,657 S * 1/2017 Thomas D14/488
 D776,138 S 1/2017 Cornell
 D777,735 S 1/2017 Kim et al.
 D781,878 S 3/2017 Butcher et al.
 D781,879 S 3/2017 Butcher et al.
 D783,037 S 4/2017 Hariharan et al.
 9,626,069 B2 * 4/2017 Voorhees G06F 3/0481
 D785,672 S 5/2017 Keim et al.
 D786,821 S 5/2017 Engelhard et al.
 D786,932 S 5/2017 Kim et al.
 D787,533 S 5/2017 Butcher et al.
 D789,401 S 6/2017 Oh et al.
 D791,160 S 7/2017 Jang et al.
 D795,284 S 8/2017 Miller et al.
 D795,918 S 8/2017 Bischoff et al.
 D797,763 S 9/2017 Kim et al.
 D801,359 S 10/2017 Jungmann et al.
 D803,242 S 11/2017 Mizono et al.
 D804,502 S 12/2017 Amini et al.
 D806,107 S 12/2017 Kim et al.
 D807,376 S 1/2018 Mizono et al.
 D807,390 S 1/2018 Holm et al.
 D807,391 S 1/2018 Seemakurty et al.
 9,874,466 B2 1/2018 Leaders et al.
 D815,649 S 4/2018 Chen et al.
 D816,713 S 5/2018 Kang
 D822,710 S 7/2018 Loi et al.
 D823,859 S 7/2018 Boyd
 D824,416 S 7/2018 Memmelaar et al.
 D824,420 S 7/2018 Dellinger
 D825,595 S 8/2018 Narinedhat et al.
 D829,225 S 9/2018 Gandhi et al.
 D835,141 S 12/2018 Li et al.
 D840,423 S 2/2019 Narinedhat et al.
 D841,660 S 2/2019 Mercado
 D845,325 S 4/2019 Akana et al.
 D848,459 S 5/2019 Li
 D851,099 S 6/2019 Uppala et al.
 D851,105 S 6/2019 Uppala et al.
 D852,837 S 7/2019 Mazlish et al.
 D858,567 S 9/2019 Bacchus

D861,725 S 10/2019 Park et al.
 D867,601 S 11/2019 Henry et al.
 D868,809 S 12/2019 Cullum et al.
 D871,431 S 12/2019 Cullum et al.
 D871,432 S 12/2019 Robinson et al.
 D875,777 S * 2/2020 Soli D14/488
 D878,400 S 3/2020 Georgallis
 2005/0005249 A1 1/2005 Hill et al.
 2007/0006885 A1 1/2007 Shultz et al.
 2007/0083825 A1 4/2007 Chaudhri et al.
 2010/0235736 A1 * 9/2010 Fleisher G06F 3/0481
 715/702
 2011/0015798 A1 1/2011 Golden et al.
 2011/0197163 A1 8/2011 Jegal et al.
 2012/0056827 A1 3/2012 Kim et al.
 2014/0059468 A1 2/2014 Allgair
 2014/0096850 A1 4/2014 Filkovski et al.
 2014/0101616 A1 4/2014 Kim et al.
 2015/0193495 A1 7/2015 Zhang et al.
 2015/0309689 A1 10/2015 Jin et al.
 2016/0038276 A1 2/2016 Albertazzi
 2016/0048589 A1 2/2016 Modi
 2016/0058337 A1 3/2016 Blahnik et al.
 2016/0113594 A1 4/2016 Koehler et al.
 2016/0306507 A1 10/2016 Defazio et al.
 2017/0003848 A1 1/2017 Wakayanagi et al.

OTHER PUBLICATIONS

Lee, Giacomo, "How to create app stickers—27 tips" Mar. 24, 2020, posted at digitalartsonline.co.uk, [site visited May 6, 2020]. <http://digitalartsonline.co.uk> (Year: 2020).*

Ershov, Sergey, "Plumbing" Jul. 14, 2018, posted at iconfinder.com, [site visited May 6, 2020]. <https://www.iconfinder.com/iconsets/plumbing-11> (Year: 2018).*

"Data Control App," posted at dribbble.com, retrieved from <https://dribbble.com/shots/2008738-Data-Control-App> (Apr. 7, 2015).

"Streamlabs: The easy way to stay in sync with your water," posted at streamlabswater.com, retrieved from: <https://web.archive.org/web/20180820204719> (Aug. 20, 2018).

"throbber.gif" retrieved from: <https://web.archive.org/web/20170920074106>; <https://www.floatinghospital.org/ul/images/throbber.gif> (Sep. 20, 2017).

Dihich, Kate, "Progress bar for mobile app," retrieved from: <https://dribbble.com/shots/2329063-progress-bar-for-mobile-app> (Nov. 2, 2015).

Maricic, Lovro, "How to create circular loading animation using Principle for Mac," posted at medium.com, retrieved from: <https://medium.com/@lovromaricic/how-to-create-circular-loading-animation-using-principle-for-mac-1138c70759ea> (Jan. 5, 2017).

"Blue loading bars and spinner" May 19, 2019, posted at depositphotos.com [site visited Jul. 3, 2019] <https://depositphotos.com>.

"Loading bars vector" Feb. 17, 2014, posted at vectorstock.com [site visited Jul. 3, 2019], <https://web.archive.org/web/20140217005852>.

"Television Volume Collection—Green Screen Animation" Apr. 6, 2013, posted at youtube.com [site visited Jul. 3, 2019] <https://www.youtube.com>.

"Save Water Mobile App" Mar. 27, 2017, posted at dribbble.com, [site visited May 7, 2020]. <https://dribbble.com/shots/3393422-Save-Water-Mobile-App-2017>, (1 page).

"The Fuel Minder Store" Jan. 26, 2019, posted at fuelminder.biz, [site visited May 7, 2020]. <https://fuelminder.biz/Streamlabs/streamlabs.html> 2019, (5 pages).

Foreign Action other than Search Report on CA Appl. Ser. No. 187122 dated May 12, 2020 (3 pages).

Horse, "Amphiro b1 Energy Tracker and Smart Meters for The Shower" Dec. 2, 2014, posted at geeky-gadgets.com, [site visited May 7, 2020]. <https://www.geeky-gadgets.com/amphiro-b-1-energy-tracker-and-smart-meters-for-the-shower>—Feb. 12, 2014 (2 pages).

Stevens, Elias, "Best Data Monitoring Apps," posted at bestandroidapps.com, retrieved from <https://bestandroidapps.com/best-data-monitoring-apps> (Dec. 15, 2015).

(56)

References Cited

OTHER PUBLICATIONS

Television Volume Collection—Green Screen Animation, retrieved from: <https://www.youtube.com/watch?v=3t7opTFY--A&list=PLNuIDGFKY2cNx8QI6WASoYB4DYE7ZGUq> (Apr. 6, 2013).
Notice of Allowance on U.S. Appl. No. 29/676,140 dated May 13, 2020 (9 pages).

U.S. Office Action on U.S. Appl. No. 29/668,089 dated Jun. 5, 2020 (6 pages).

“Introducing Flo by Moen: Smart Home Water Monitor & Leak Detector” Mar. 21, 2019, posted at plumbersstock.com, [site visited Sep. 30, 2020]. <https://web.archive.org/web/20190321154835/https://www.plumbersstock.com/blog/introducing-flo-by-moen-smart-home-water-monitor-leak-detector> (Year: 2019).

“OK Timer,” Apr. 1, 2014, posted at cafebazaar.ir, [site visited Sep. 17, 2020]. <https://web.archive.org/web/20140401092453/https://cafebazaar.ir/app/com.gau.go.launcherex.gowidget.timer?I=en> (Year: 2014).

Popic, “Pipe Icons” Jun 21 2016 <https://www.istockphoto.com/vector/pipe-icons-lyra-series-gm540576904-96550283>.

Prokop, “One of four progress bars” May 20, 2014, posted at dribbble.com, [site visited Sep. 17, 2020]. <https://dribbble.com/shots/1560724-One-of-four-progress-bars> (Year: 2014).

Surawanshi, “Progress Kit” Mar. 2018, posted at cocoapods.org, [site visited Sep. 30, 2020]. <https://cocoapods.org/pods/ProgressKit> (Year: 2018).

U.S. Notice of Allowance on U.S. Appl. No. 29/668,089 dated Sep. 25, 2020 (8 pages).

U.S. Notice of Allowance on U.S. Appl. No. 29/699,522 dated Oct. 7, 2020 (8 pages).

U.S. Notice of Allowance on U.S. Appl. No. 29/699,525 dated Oct. 6, 2020 (8 pages).

* cited by examiner

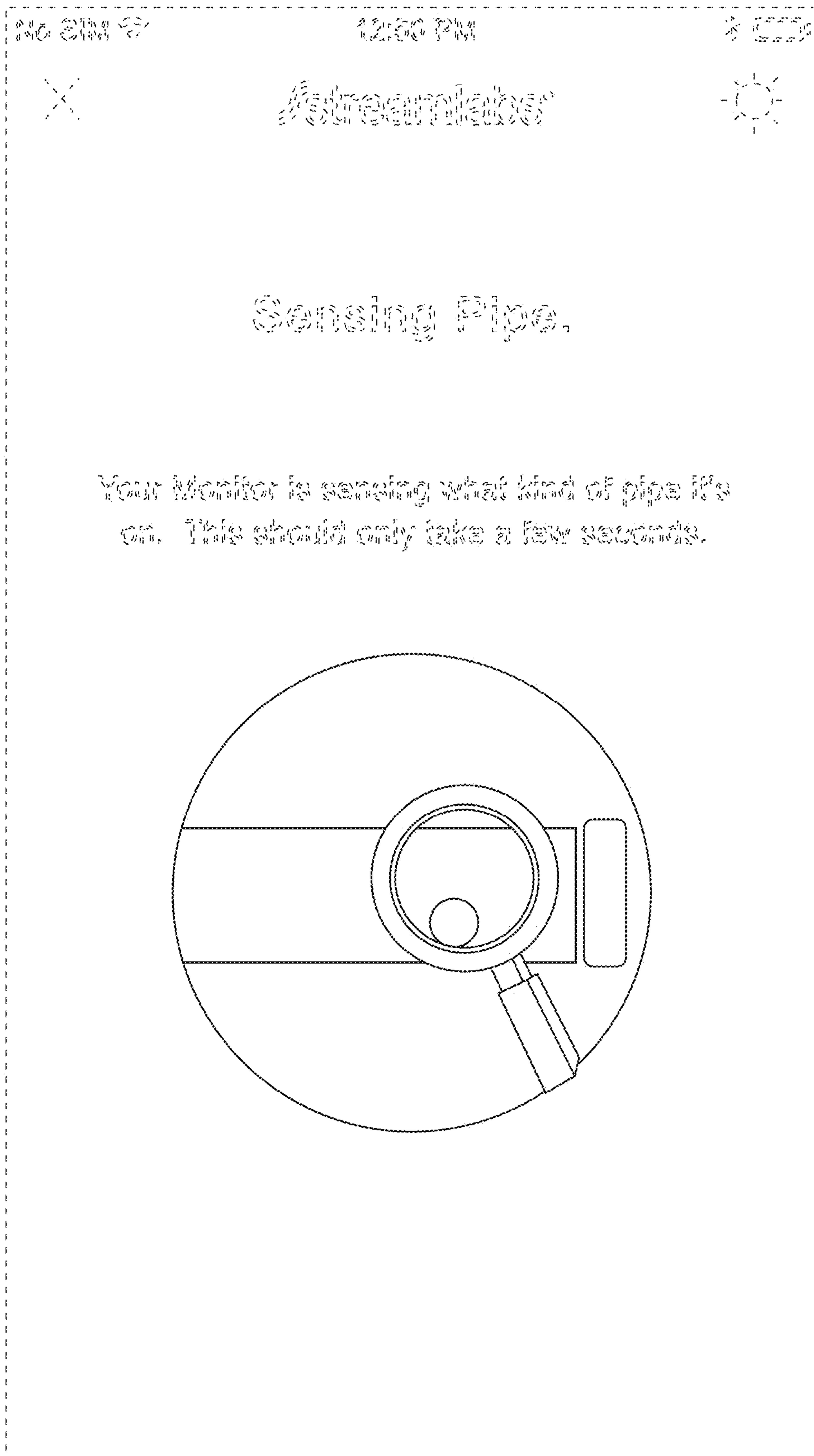


FIG. 1

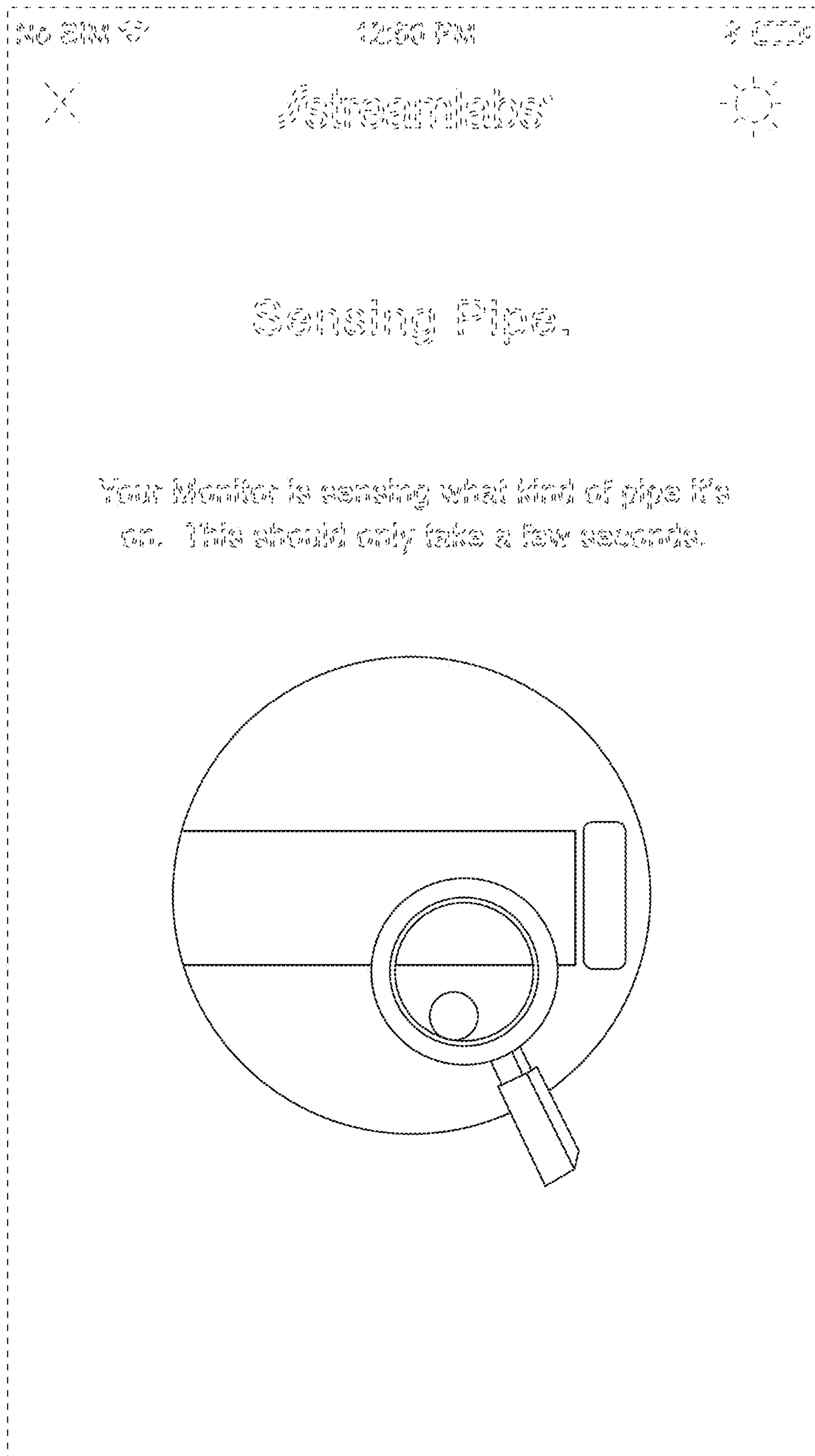


FIG. 2

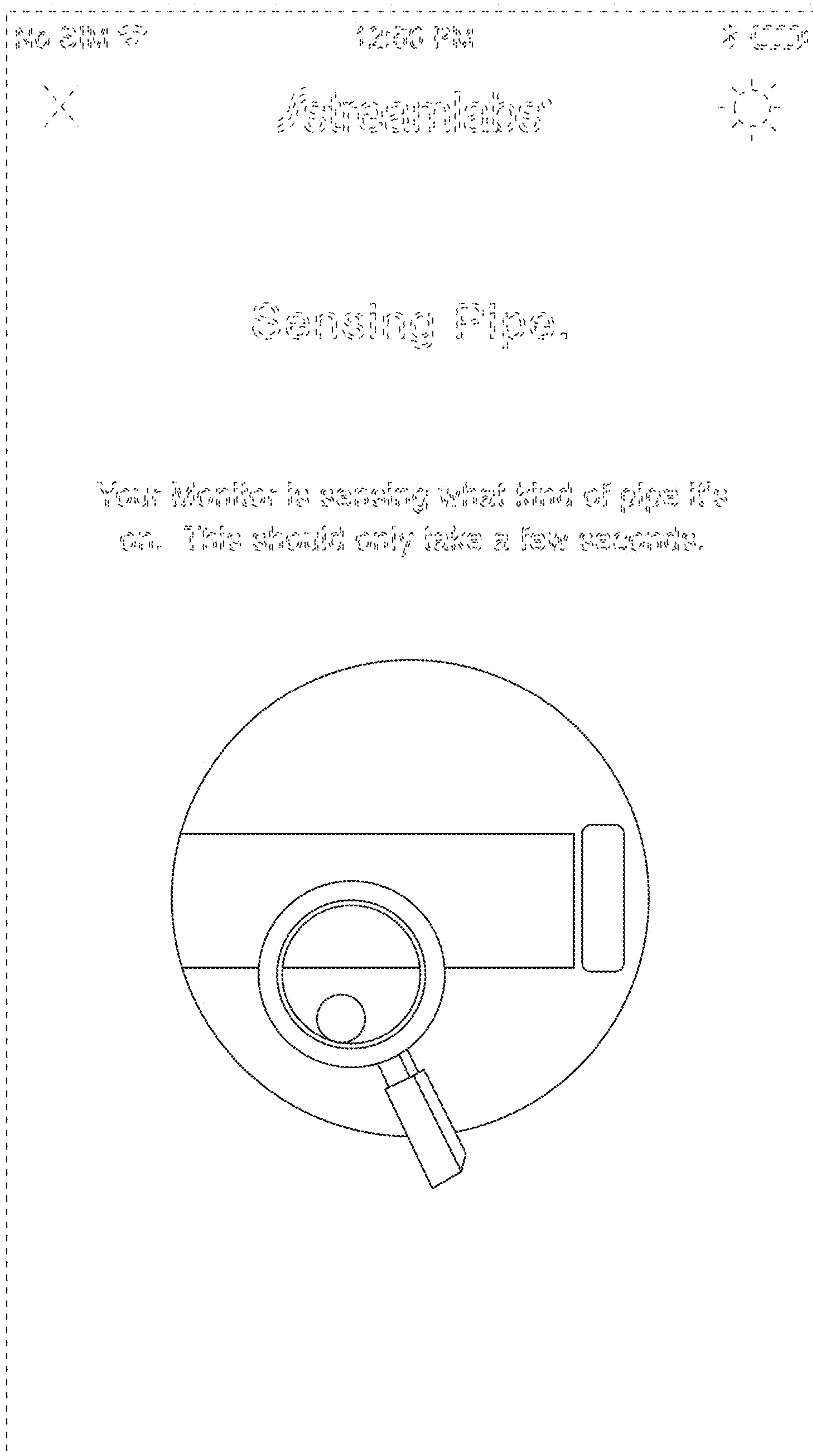


FIG. 3

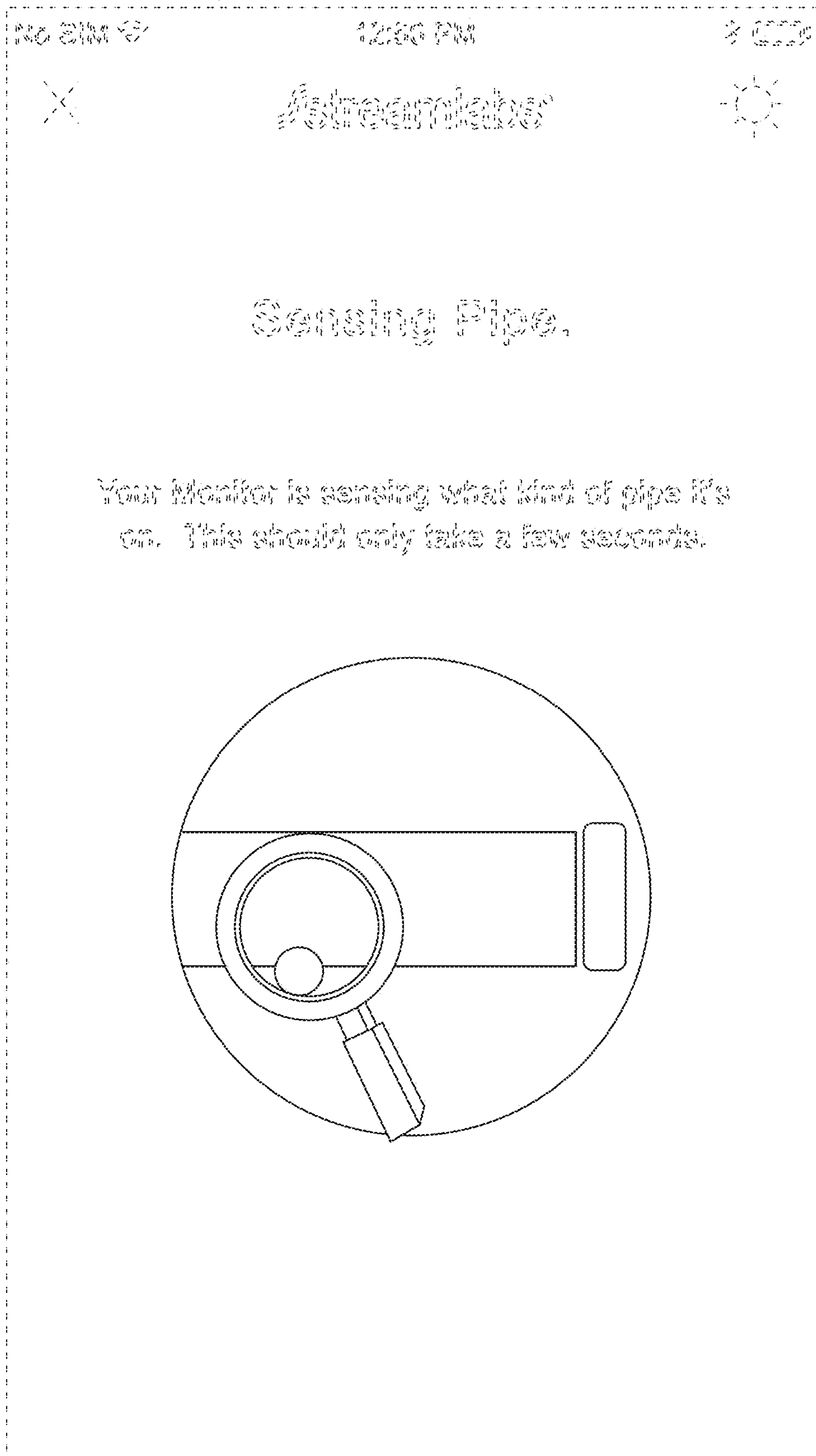


FIG. 4

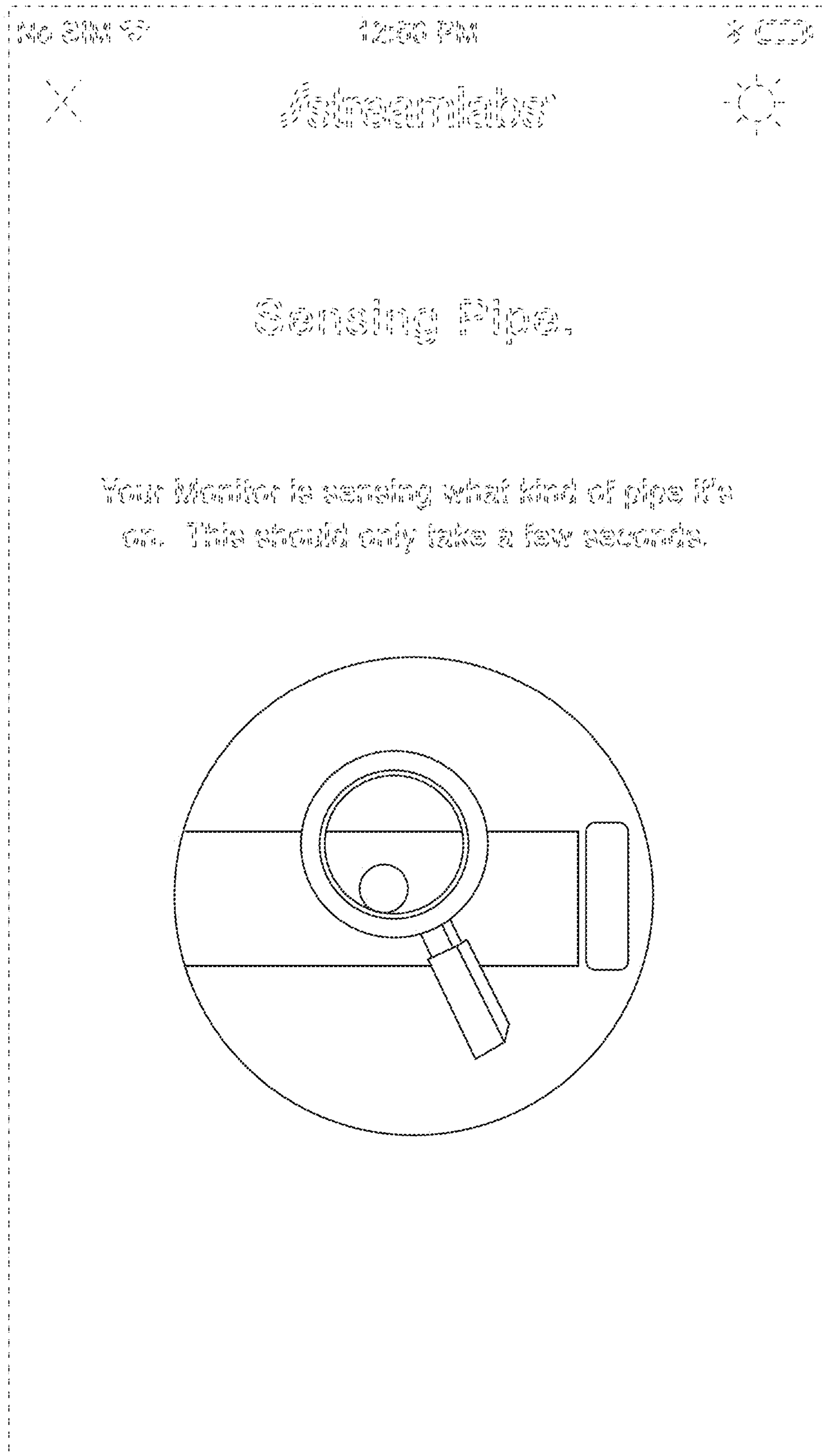


FIG. 5