



US00D904453S

(12) **United States Design Patent**
Cowan et al.

(10) **Patent No.:** **US D904,453 S**

(45) **Date of Patent:** **** Dec. 8, 2020**

(54) **DISPLAY SCREEN WITH TRANSITIONAL GRAPHICAL USER INTERFACE**

(71) Applicant: **Microsoft Corporation**, Redmond, WA (US)

(72) Inventors: **Jackson Stuart Cowan**, Seattle, WA (US); **Christopher James Wymer**, Kirkland, WA (US); **Matthew Tyler Josiah Rasmussen**, Maple Valley, WA (US); **Angela Allison**, Redmond, WA (US); **Gregory Powell Young**, Kirkland, WA (US)

(73) Assignee: **Microsoft Corporation**, Redmond, WA (US)

(**) Term: **15 Years**

(21) Appl. No.: **29/684,716**

(22) Filed: **Mar. 22, 2019**

(51) **LOC (12) Cl.** **14-04**

(52) **U.S. Cl.**

USPC **D14/488**; D14/492

(58) **Field of Classification Search**

USPC D14/485-95; D99/28

CPC .. G06F 3/0481; G06F 3/0482; G06F 3/04812; G06F 3/04817; G06F 3/0484; G06F 3/0485; G06F 3/048; G06F 3/0487; G06F 3/0488; G06F 3/04883; G06F 3/04886; G06F 3/0489; G06F 3/0486; G06F 3/04842; G06F 3/04845; G06F 3/04847

See application file for complete search history.

(56) **References Cited**

U.S. PATENT DOCUMENTS

- 2,088,459 A * 7/1937 Bennett E05G 5/006 70/77
- D314,406 S * 2/1991 Lerch D21/519

- D487,179 S * 2/2004 Traversie D12/423
- D563,986 S * 3/2008 Lettau D14/491
- D601,581 S * 10/2009 Cherian D14/492
- D624,935 S * 10/2010 Umezawa D14/493
- D702,720 S * 4/2014 Abratowski D14/489
- D771,134 S * 11/2016 Lee D14/492
- D811,686 S * 2/2018 Crosby D99/28
- D814,139 S * 3/2018 Newcomb D99/28
- D849,354 S * 5/2019 Chen D99/28
- D853,078 S * 7/2019 Rayfield D99/28
- D867,396 S * 11/2019 Ingel D14/492

OTHER PUBLICATIONS

https://www.iconfinder.com/icons/114746/document_file_paper_icon (Year: 2013).*

<https://www.iconfinder.com/iconsets/unigrid-phantom-finance-vol-1> (Year: 2017).*

(Continued)

Primary Examiner — Melanie H Tung

(74) *Attorney, Agent, or Firm* — Banner & Witcoff, Ltd.

(57) **CLAIM**

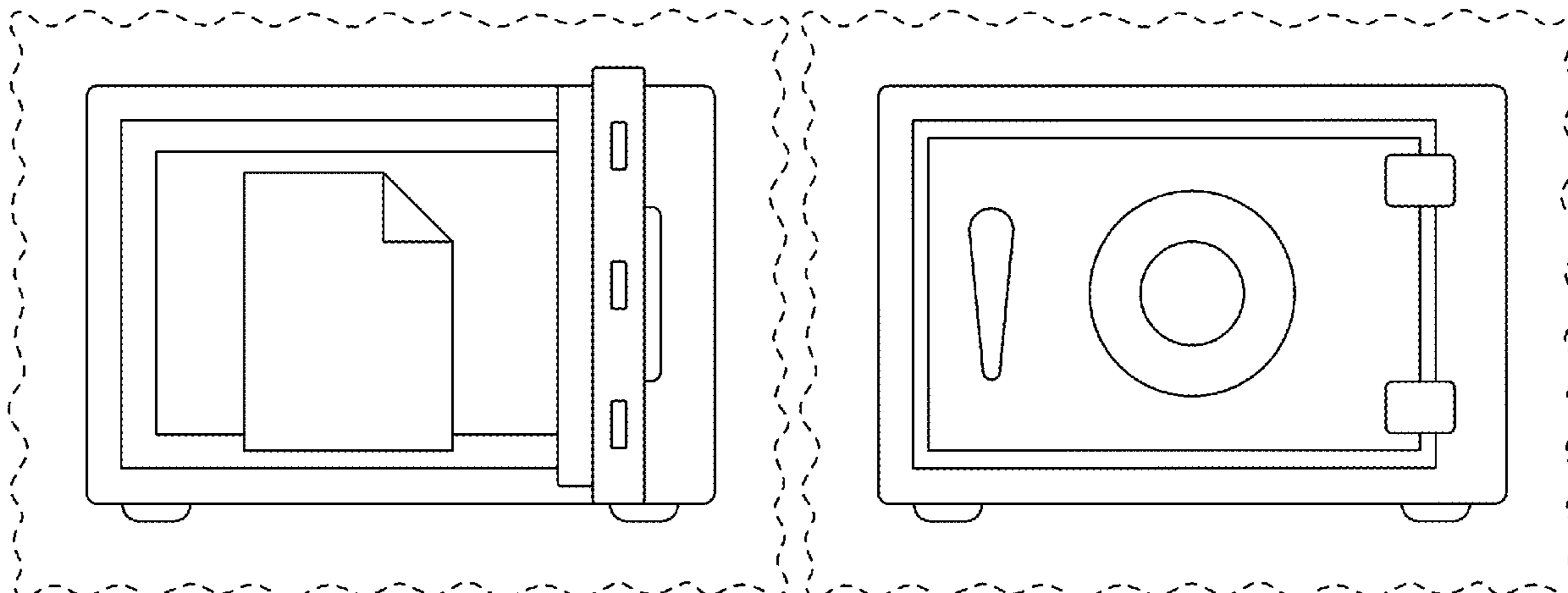
The ornamental design for a display screen with transitional graphical user interface, as shown and described.

DESCRIPTION

FIG. 1 is the first image in a sequence for a display screen with transitional graphical user interface showing our new design; and, FIG. 2 is a the second image thereof.

The appearance of the transitional graphical user interface sequentially transitions between FIGS. 1 and 2. The process or period in which one image transitions to another forms no part of the claimed design. The broken line showing of the display screen forms no part of the claimed design.

1 Claim, 2 Drawing Sheets



(56)

References Cited

OTHER PUBLICATIONS

https://www.iconfinder.com/icons/1721250/account_bank_deposit_money_safe_icon (Year: 2016).*

<https://www.iconfinder.com/iconsets/finance-colored-outline> (Year: 2017).*

https://www.iconfinder.com/icons/2638859/empty_finance_open_safe_vault_icon (Year: 2017).*

https://www.iconfinder.com/icons/1428057/business_empty_finance_marketing_safe_icon (Year: 2016).*

https://www.iconfinder.com/icons/1705187/business_empty_finance_marketing_safe_icon (Year: 2016).*

* cited by examiner

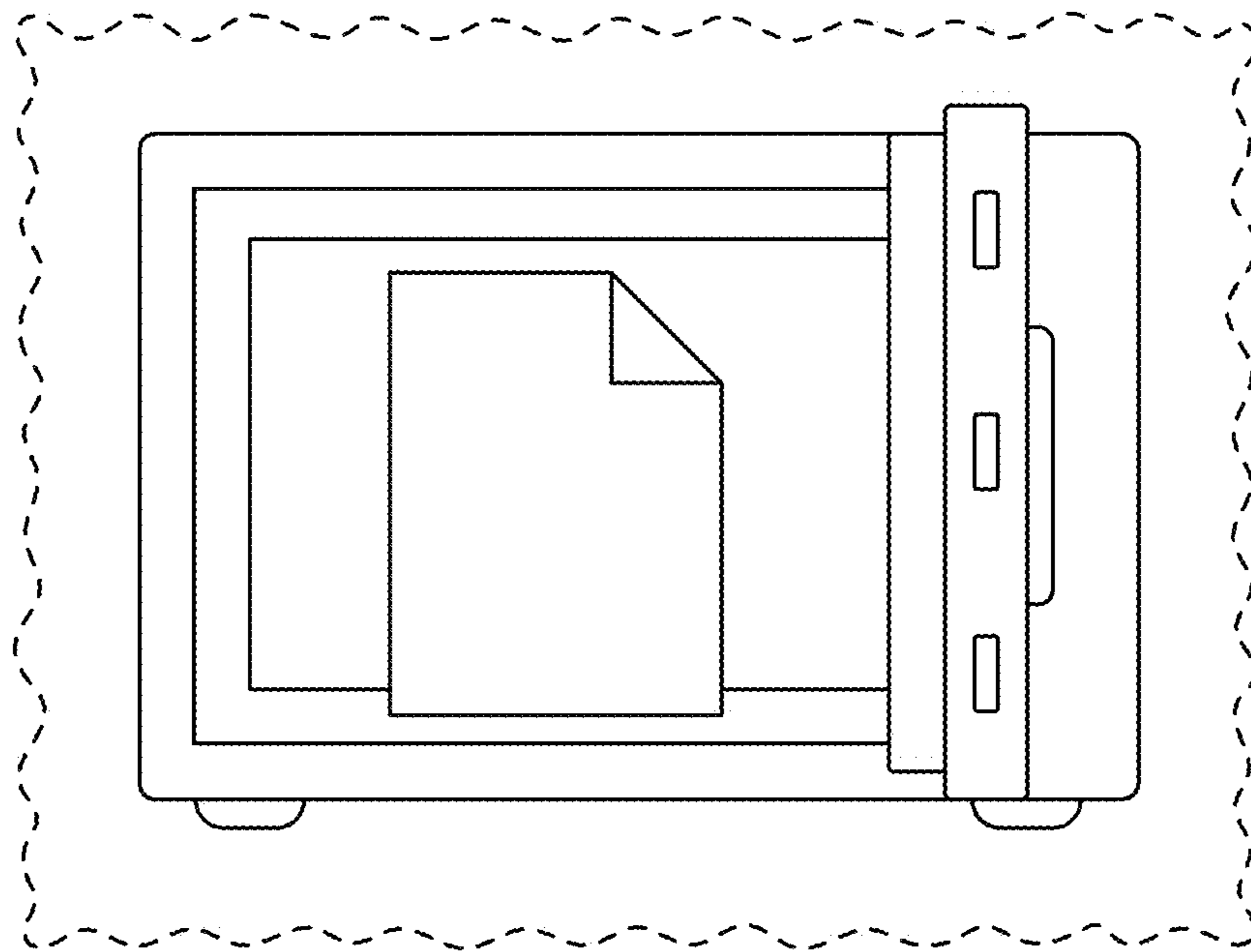


FIG. 1

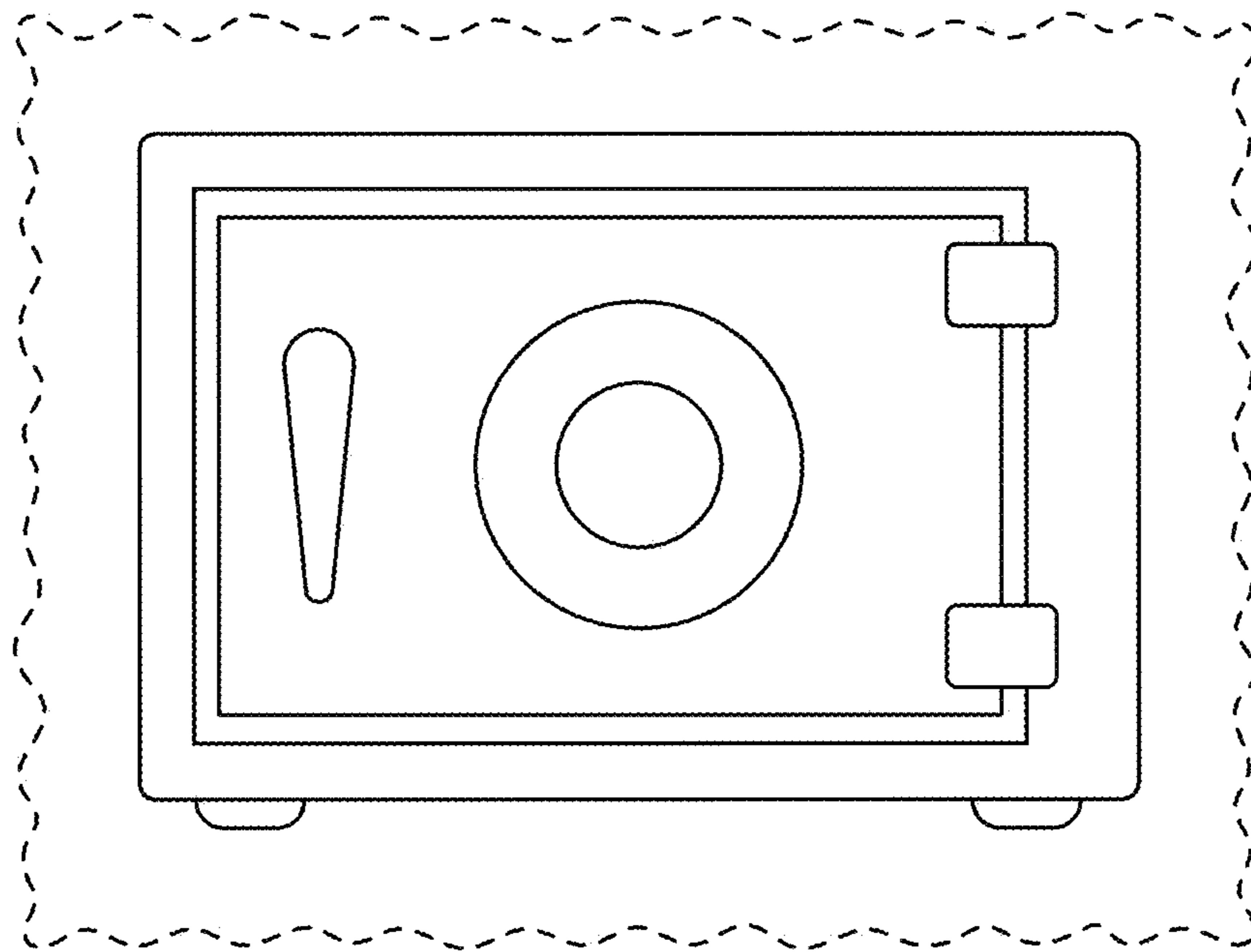


FIG. 2