



US00D904429S

(12) **United States Design Patent**
Rothwell

(10) **Patent No.:** **US D904,429 S**

(45) **Date of Patent:** **** Dec. 8, 2020**

(54) **DISPLAY SCREEN OR PORTION THEREOF WITH AN ANIMATED GRAPHICAL USER INTERFACE**

10,706,457 B2 * 7/2020 Damy G06Q 30/0621
2002/0173721 A1 * 11/2002 Grunwald A61B 8/465
600/437
2007/0244390 A1 * 10/2007 Matsumura A61B 8/463
600/437

(71) Applicant: **FUJIFILM SONOSITE, INC.**,
Bothell, WA (US)

(Continued)

(72) Inventor: **Jason Rothwell**, Shoreline, WA (US)

OTHER PUBLICATIONS

(73) Assignee: **FUJIFILM SONOSITE, INC.**,
Bothell, WA (US)

Lyons, Kelan, "Texas A&M vet school helps test portable ultrasound technology for pets" Apr. 13, 2017, TheEagle, site visited May 6, 2020: https://www.theeagle.com/news/local/texas-a-m-vet-school-helps-test-portable-ultrasound-technology-for-pets/article_83bd2c0d-d3ec-5fe6-8fb4-f0becb632c7d.html (Year: 2017).*

(**) Term: **15 Years**

(Continued)

(21) Appl. No.: **29/682,785**

(22) Filed: **Mar. 7, 2019**

Primary Examiner — Jack Reickel

Assistant Examiner — Christopher M Spivey

(51) **LOC (12) Cl.** **14-04**

(74) *Attorney, Agent, or Firm* — Womble Bond Dickinson (US) LLP

(52) **U.S. Cl.**
USPC **D14/485**; D14/488

(58) **Field of Classification Search**
USPC D14/485–495
CPC A61B 8/463; A61B 8/465; A61B 8/46;
A61B 8/54; G01S 7/52033; G01S
7/52084; G01S 7/52073; G06F 3/04847;
G06F 3/01; G06F 3/048; G06F 3/0484;
G06F 3/04845; G06F 3/04842; G06T
2200/24; G06T 7/50

See application file for complete search history.

(57) **CLAIM**

I claim the ornamental design for a display screen or portion thereof with an animated graphical user interface, as shown and described.

DESCRIPTION

FIG. 1 is a front view of a display screen or portion thereof with an animated graphical user interface showing a first image of our new design;

FIG. 2 is a second image thereof;

FIG. 3 is a third image thereof; and,

FIG. 4 is a fourth image thereof.

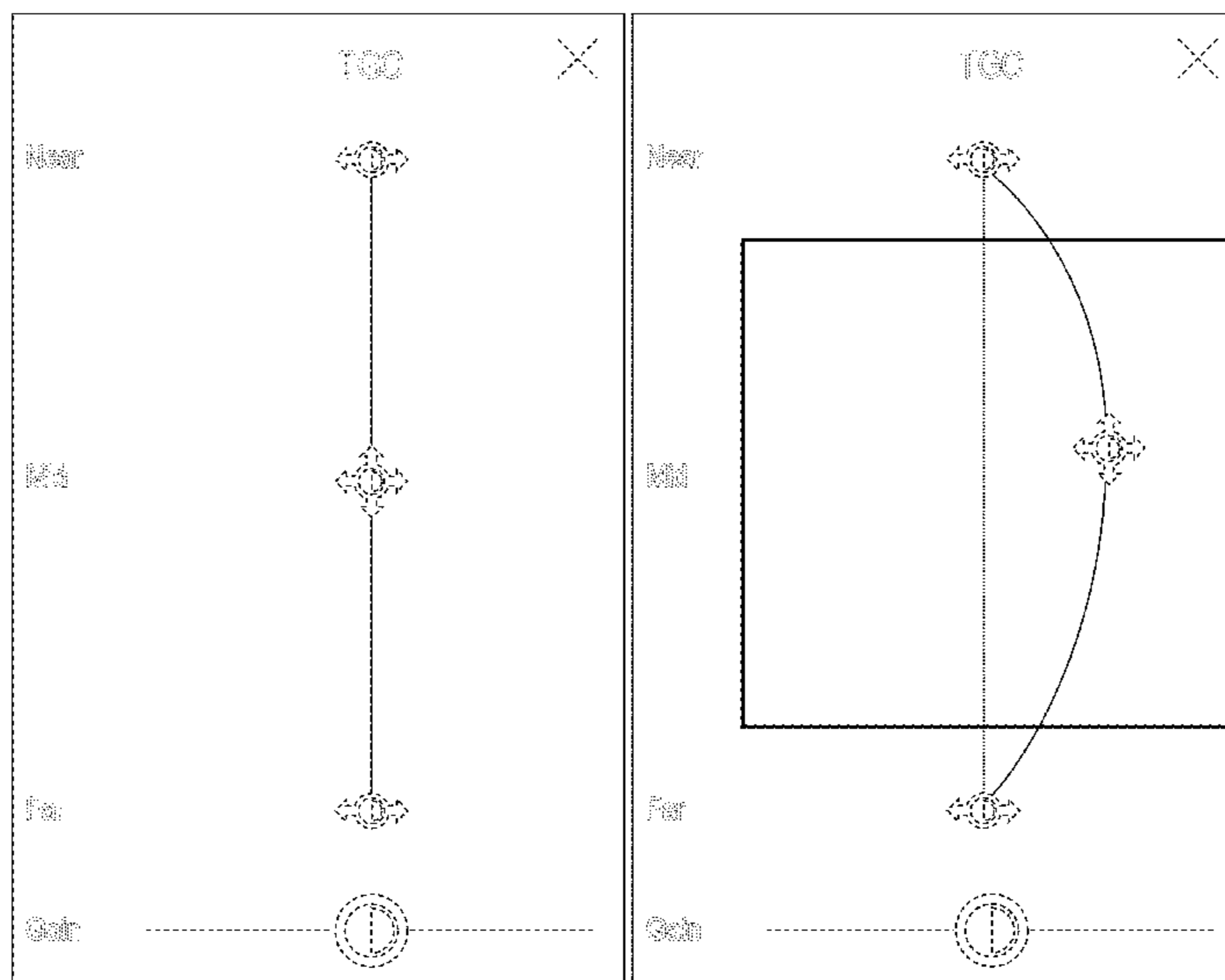
The broken lines in the figures represented by dashed broken lines and dotted broken lines illustrate portions of a graphical user interface, and form no part of the claimed design. The appearance of the animated images sequentially transitions between the images shown in FIGS. 1-4. The process or period in which one image transitions to another forms no part of the claimed design.

(56) **References Cited**

U.S. PATENT DOCUMENTS

D420,340 S * 2/2000 Bailer D14/486
D642,184 S * 7/2011 Brouwers D14/486
D757,753 S * 5/2016 Jung D14/485
D771,675 S * 11/2016 Binder D14/486
D776,711 S * 1/2017 Clarke D14/489
D801,982 S * 11/2017 Dickerson D14/485
10,517,573 B2 * 12/2019 Yang G01S 7/52084
D876,483 S * 2/2020 Jeon D14/489
D887,436 S * 6/2020 Crandall D14/486

1 Claim, 4 Drawing Sheets



(56)

References Cited

U.S. PATENT DOCUMENTS

2014/0088428 A1* 3/2014 Yang A61B 8/463
600/443
2014/0148209 A1* 5/2014 Weng H04L 12/1818
455/518
2014/0276055 A1* 9/2014 Barthe A61B 8/4466
600/439
2017/0063886 A1* 3/2017 Muddu G06F 16/285
2019/0142380 A1* 5/2019 Emery A61B 8/54
600/439
2019/0209116 A1* 7/2019 Sjostrand A61B 6/5223
2020/0174108 A1* 6/2020 Rothwell G06F 3/04847

OTHER PUBLICATIONS

“Philips Lumify—A behind-the-scenes look at the design of Philips app-based ultrasound system” Apr. 4, 2016, YouTube, site visited May 6, 2020: <https://www.youtube.com/watch?v=O8GdKBR9Rfk> (Year: 2016).*

Korean Office Action for Application No. 20190043073 dated May 6, 2020, 7 pages.

* cited by examiner

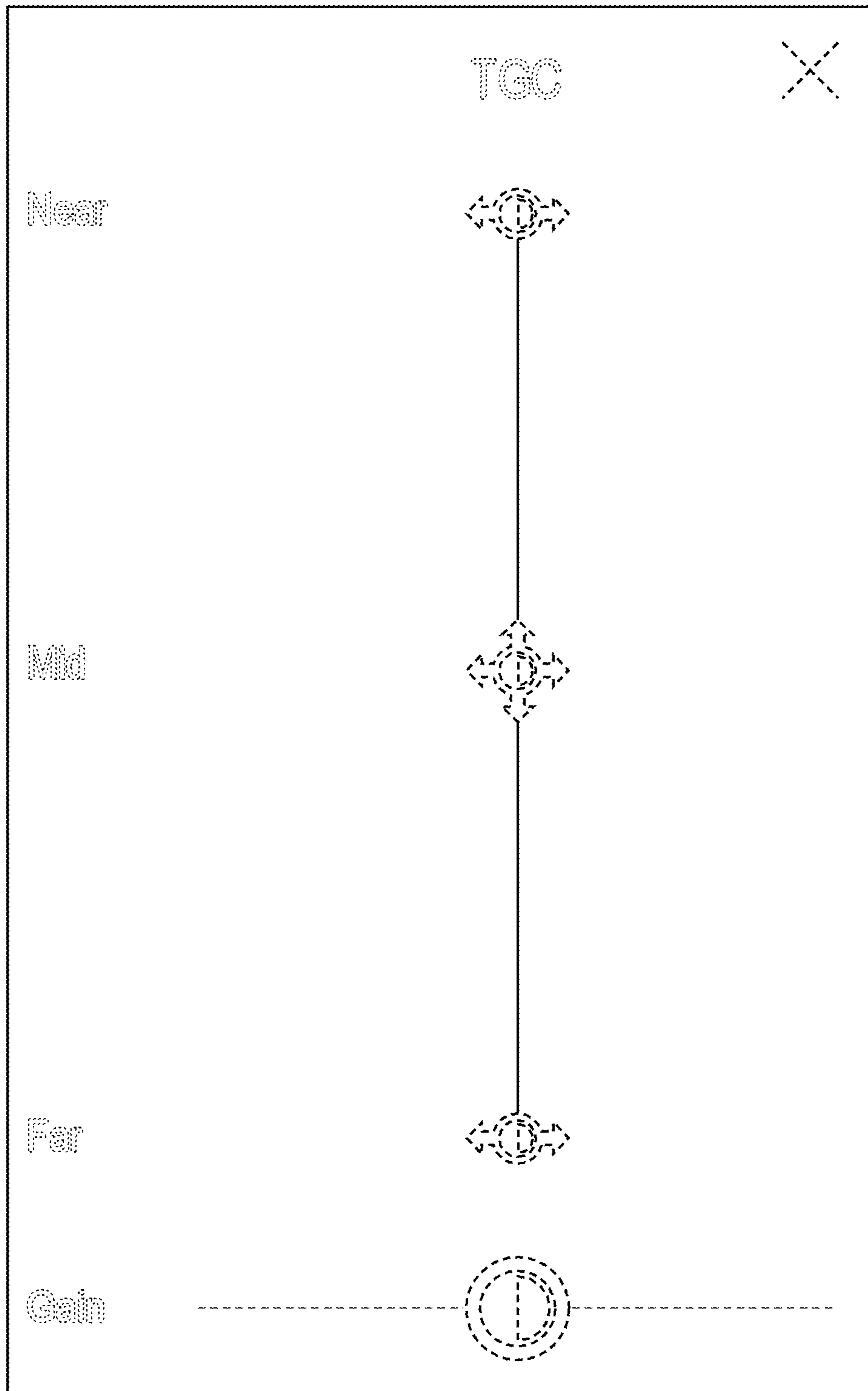


FIG. 1

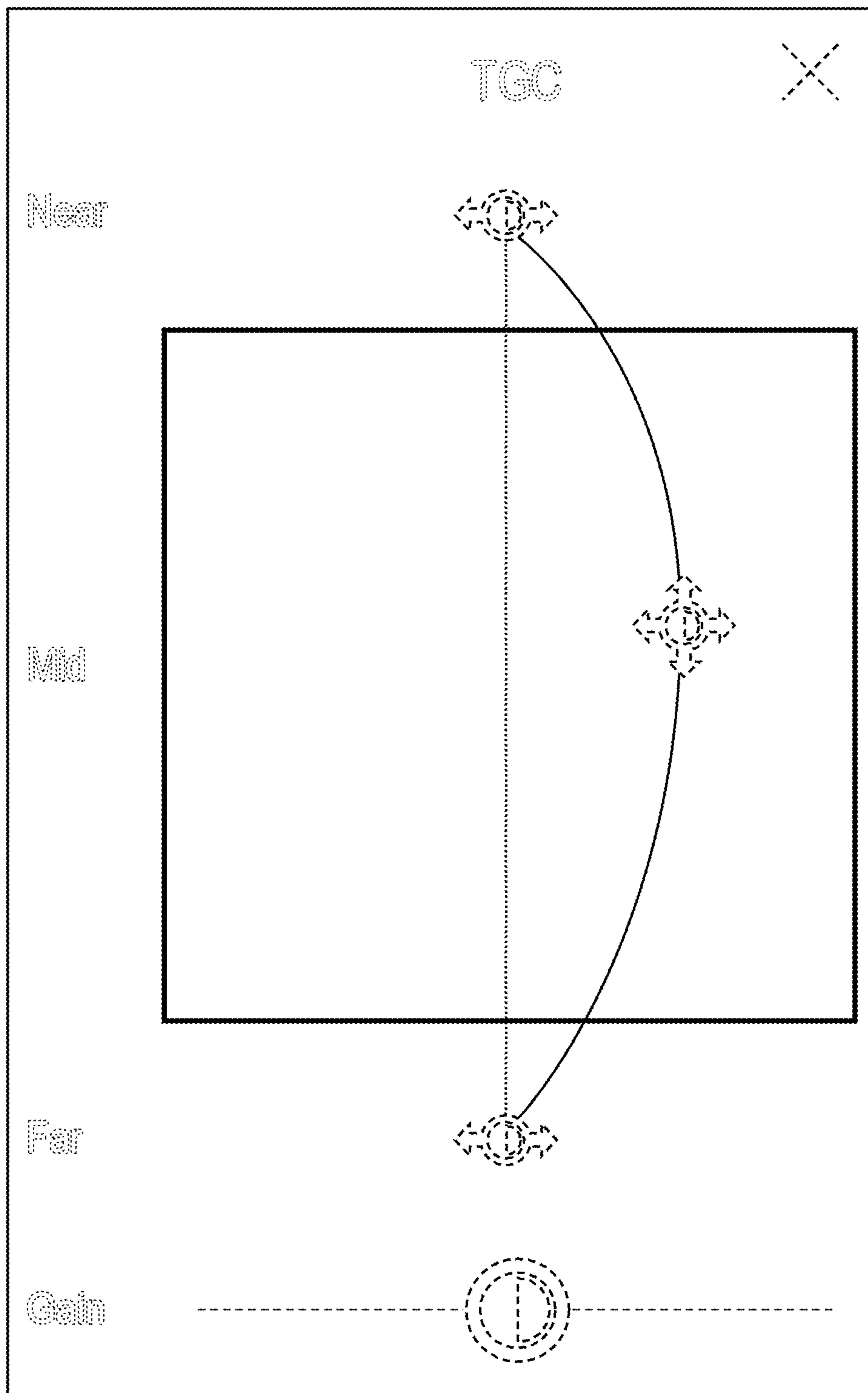


FIG. 2

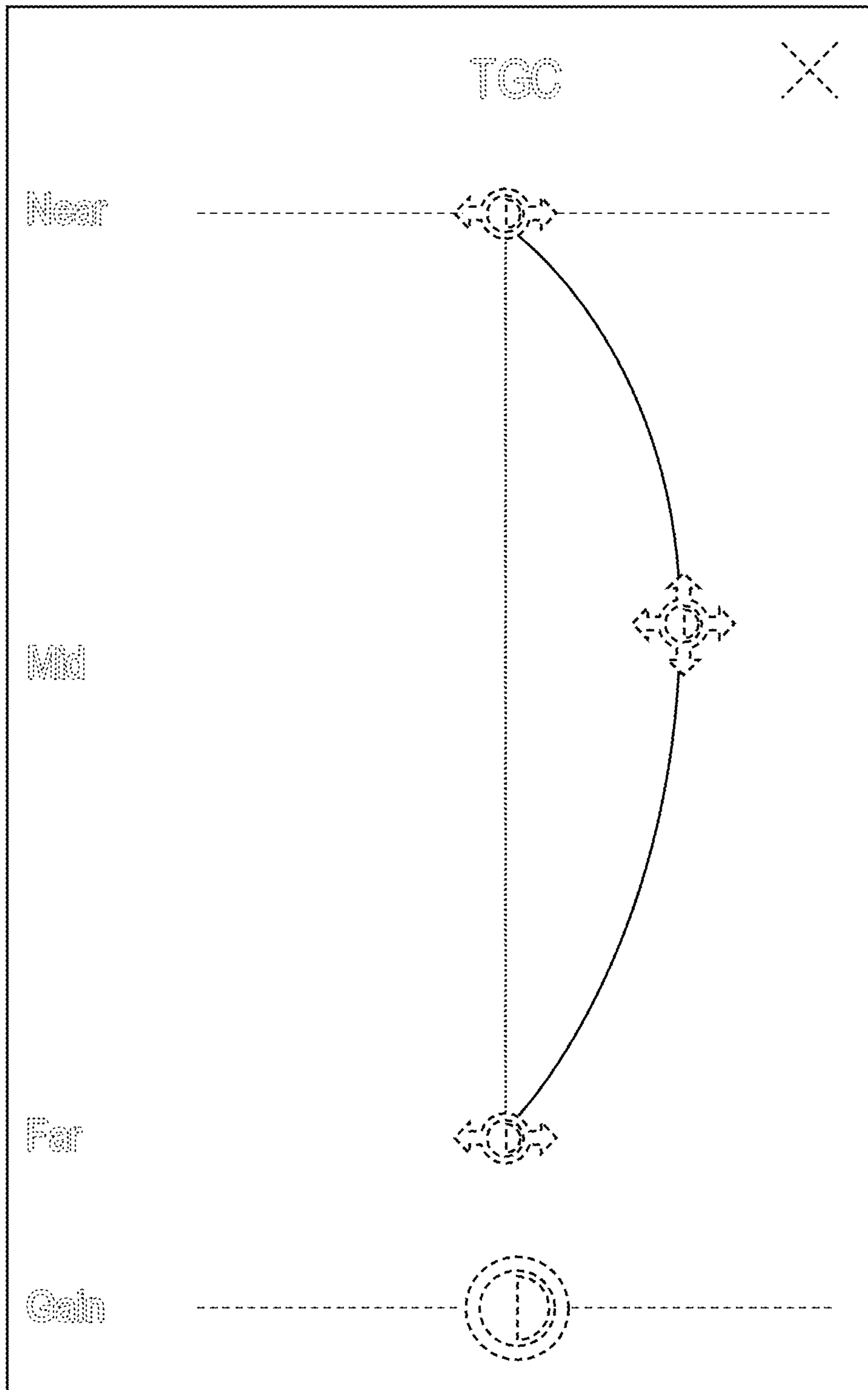


FIG. 3

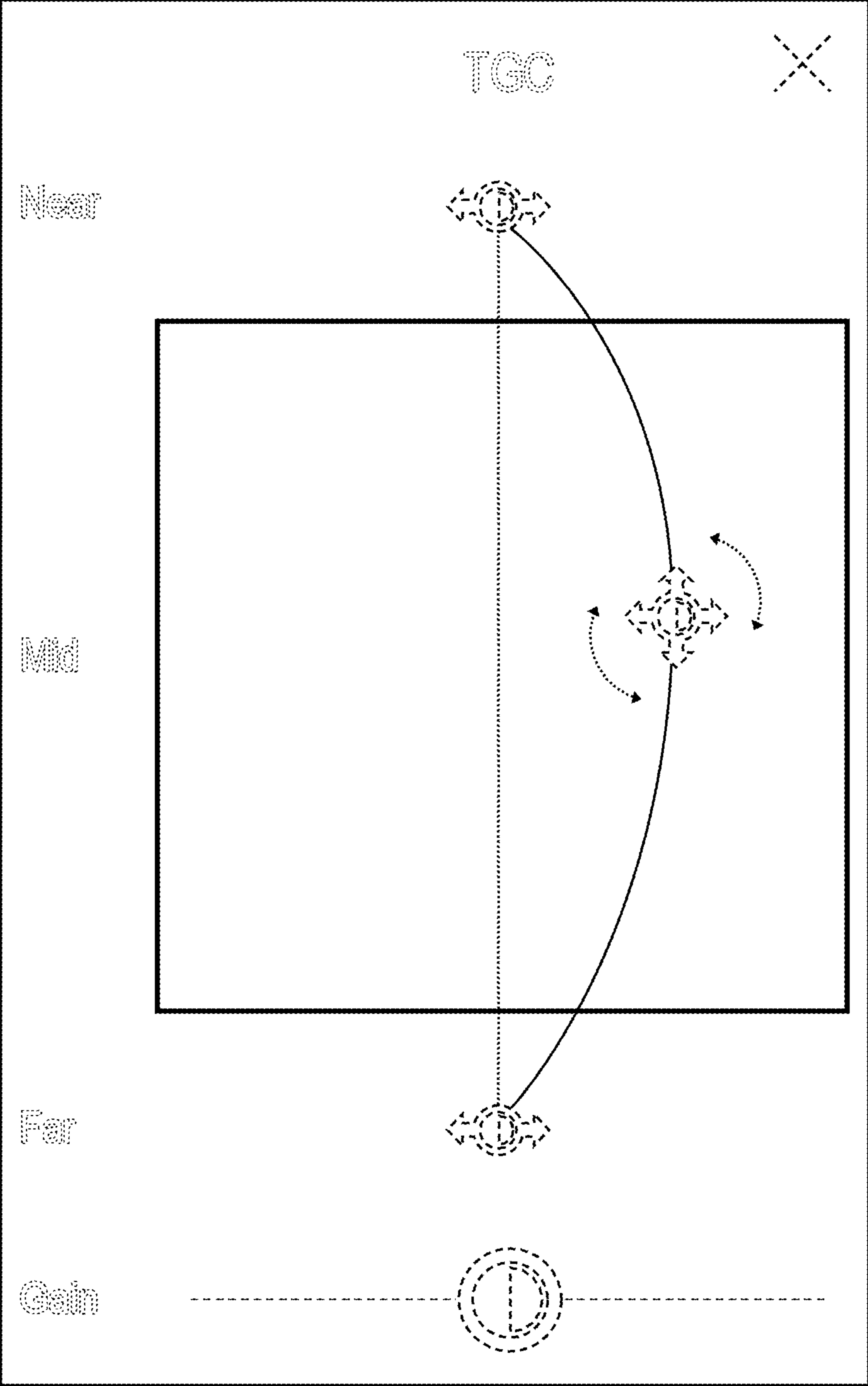


FIG. 4