



US00D904417S

(12) **United States Design Patent** (10) **Patent No.:** **US D904,417 S**
Cueto et al. (45) **Date of Patent:** **** Dec. 8, 2020**

(54) **DONGLE**

(71) Applicant: **Comcast Cable Communications, LLC**, Philadelphia, PA (US)

(72) Inventors: **Osman Cueto**, Lansdale, PA (US);
Sean McGinnis, Philadelphia, PA (US);
Michael Jou, Philadelphia, PA (US)

(73) Assignee: **Comcast Cable Communications, LLC**, Philadelphia, PA (US)

(**) Term: **15 Years**

(21) Appl. No.: **29/682,965**

(22) Filed: **Mar. 8, 2019**

(51) **LOC (12) Cl.** **14-99**

(52) **U.S. Cl.**
USPC **D14/480.1**; D14/433; D14/240

(58) **Field of Classification Search**
USPC D14/217, 240, 242, 356, 357, 358, 378,
D14/383, 384, 385, 386, 432, 433, 434,
(Continued)

(56) **References Cited**

U.S. PATENT DOCUMENTS

D338,188 S * 8/1993 Lee D13/110
D576,619 S * 9/2008 Udagawa D14/435.1
(Continued)

OTHER PUBLICATIONS

“Google’s New Chromecast Does 4K HDR, Costs Twice as Much,”
Chromecast Ultra streaming dongle pictured therein, online, post
date Oct. 4, 2016, URL: <https://www.wired.com/2016/10/googles-new-chromecast-4k-hdr-costs-twice-much/>, retrieved May 20, 2020.*

Primary Examiner — Jeffrey D Asch
Assistant Examiner — Rebekah A Caruso

(74) *Attorney, Agent, or Firm* — Banner & Witcoff, Ltd.

(57) **CLAIM**

The ornamental design for a dongle, as shown and described.

DESCRIPTION

FIG. 1 is a top front perspective view of a dongle showing our new design in an extended configuration and without illumination;

FIG. 2 is a bottom rear perspective view thereof;

FIG. 3 is a top view thereof;

FIG. 4 is a bottom view thereof;

FIG. 5 is a right side view thereof;

FIG. 6 is a left side view thereof;

FIG. 7 is a front view thereof;

FIG. 8 is a rear view thereof;

FIG. 9 is a top front perspective view of a dongle showing our new design in a collapsed configuration and without illumination;

FIG. 10 is a bottom rear perspective view thereof;

FIG. 11 is a top view thereof;

FIG. 12 is a bottom view thereof;

FIG. 13 is a right side view thereof;

FIG. 14 is a left side view thereof;

FIG. 15 is a front view thereof;

FIG. 16 is a rear view thereof;

FIG. 17 is a top front perspective view of the dongle of FIGS. 1-8 shown with illumination;

FIG. 18 is a bottom rear perspective view thereof;

FIG. 19 is a top view thereof;

FIG. 20 is a bottom view thereof;

FIG. 21 is a right side view thereof;

FIG. 22 is a left side view thereof;

FIG. 23 is a front view thereof;

FIG. 24 is a rear view thereof;

FIG. 25 is a top front perspective view of the dongle of FIGS. 9-16 shown with illumination;

FIG. 26 is a bottom rear perspective view thereof;

FIG. 27 is a top view thereof;

FIG. 28 is a bottom view thereof;

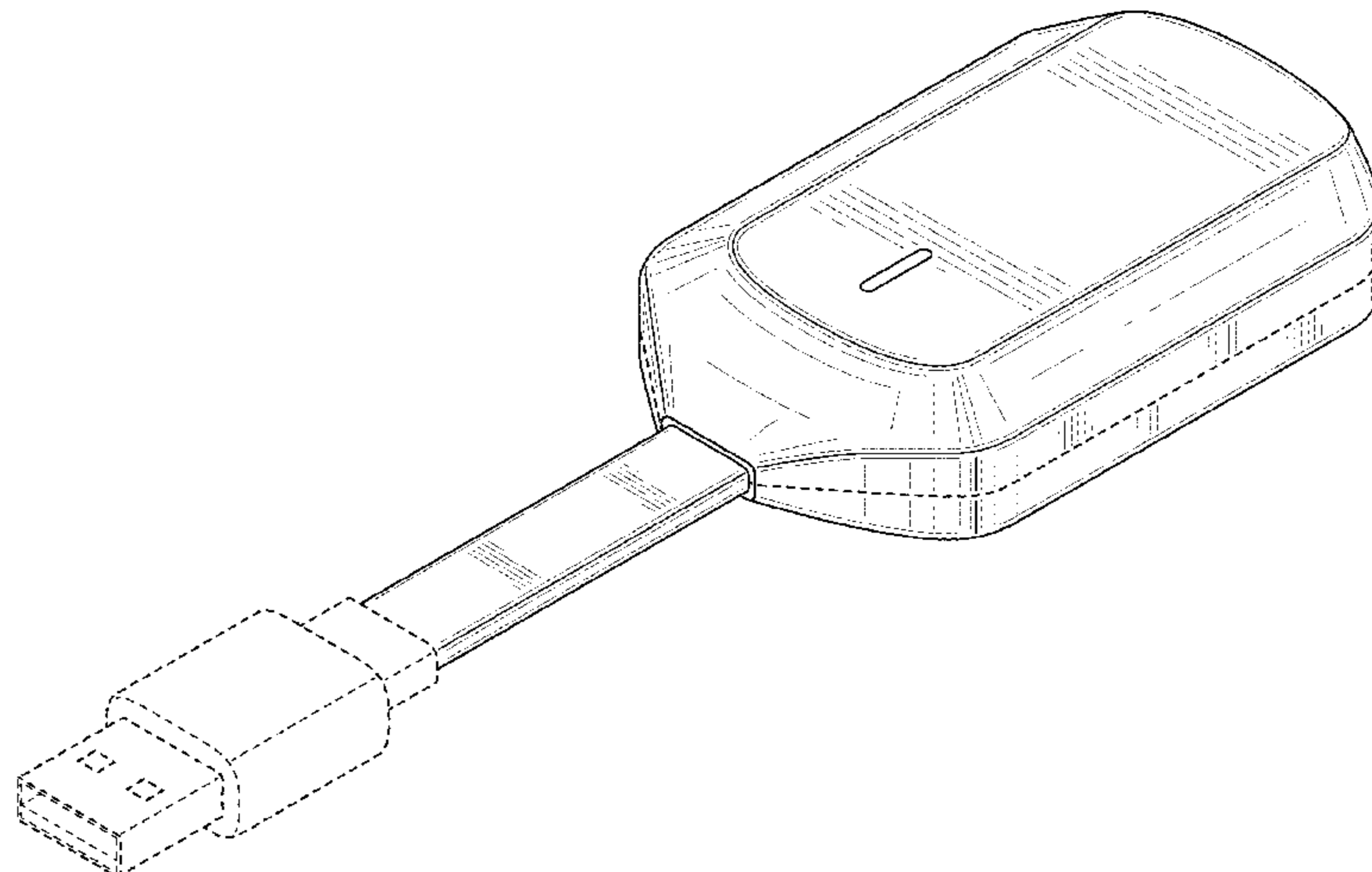
FIG. 29 is a right side view thereof;

FIG. 30 is a left side view thereof;

FIG. 31 is a front view thereof; and,

FIG. 32 is a rear view thereof.

(Continued)



For convenience of illustration, a small portion of the cable length has been omitted from the extended configurations (FIGS. 9-16 and 25-32), while the cable is shown in its entirety in the collapsed configurations (FIGS. 1-8 and 17-24). The broken lines immediately adjacent to the shaded areas represent bounds of the claimed design and form no part thereof. The radiating lines emanating from the feature in FIGS. 17, 19, 25, and 27 represent illumination. The broken lines depicting the remainder of the dongle show features that form no part of the claimed design.

1 Claim, 24 Drawing Sheets

(58) **Field of Classification Search**

USPC D14/435, 435.1, 436, 437, 438, 439,
D14/480.1-480.7; D13/103, 107, 108,
D13/110, 133, 137.1-137.4, 139.6-139.8,
D13/146, 147, 153, 154, 184
CPC H01R 25/003; H01R 25/006; H01R 27/02;
H01R 31/005; H01R 13/60; H01R
13/6658; H01R 13/72; G06F 1/1632;
G06F 1/1684; G06F 13/00; G06F 13/12;
G06F 13/20; G06F 13/382; G06F
13/4022; H04W 88/16; H01Q 3/08

See application file for complete search history.

(56)

References Cited

U.S. PATENT DOCUMENTS

D599,800	S	*	9/2009	Klein	D14/433
D613,249	S	*	4/2010	Nagata	D13/147
D628,537	S	*	12/2010	Nagata	D13/147
D635,142	S	*	3/2011	Borislow	D14/435.1
D706,248	S	*	6/2014	Myung	D14/240
D706,752	S	*	6/2014	Myung	D14/240
D714,731	S	*	10/2014	Lee	D13/147
D725,034	S	*	3/2015	Chen	D13/108
D731,489	S	*	6/2015	Langhammer	D14/433
D781,919	S	*	3/2017	Beck	D14/496
D782,485	S	*	3/2017	Cai	D14/433
D784,340	S	*	4/2017	Laffon de Mazieres	D14/433
D788,820	S	*	6/2017	Beck	D14/203.6
D797,149	S	*	9/2017	Beck	D14/203.6
D802,627	S	*	11/2017	Mangum	D14/496
D804,532	S	*	12/2017	Mangum	D14/496
D845,953	S	*	4/2019	Boehmer	D14/433
D868,784	S	*	12/2019	Turksu	D14/385
D876,441	S	*	2/2020	Boehmer	D14/433
D878,292	S	*	3/2020	Wu	D13/110
D881,889	S	*	4/2020	Wang	D14/433
D881,890	S	*	4/2020	Wen	D14/433
D883,941	S	*	5/2020	Muramoto	D13/184
D890,151	S	*	7/2020	Gao	D14/240
2014/0370934	A1	*	12/2014	Laurenziani	H04L 12/2856 455/559

* cited by examiner

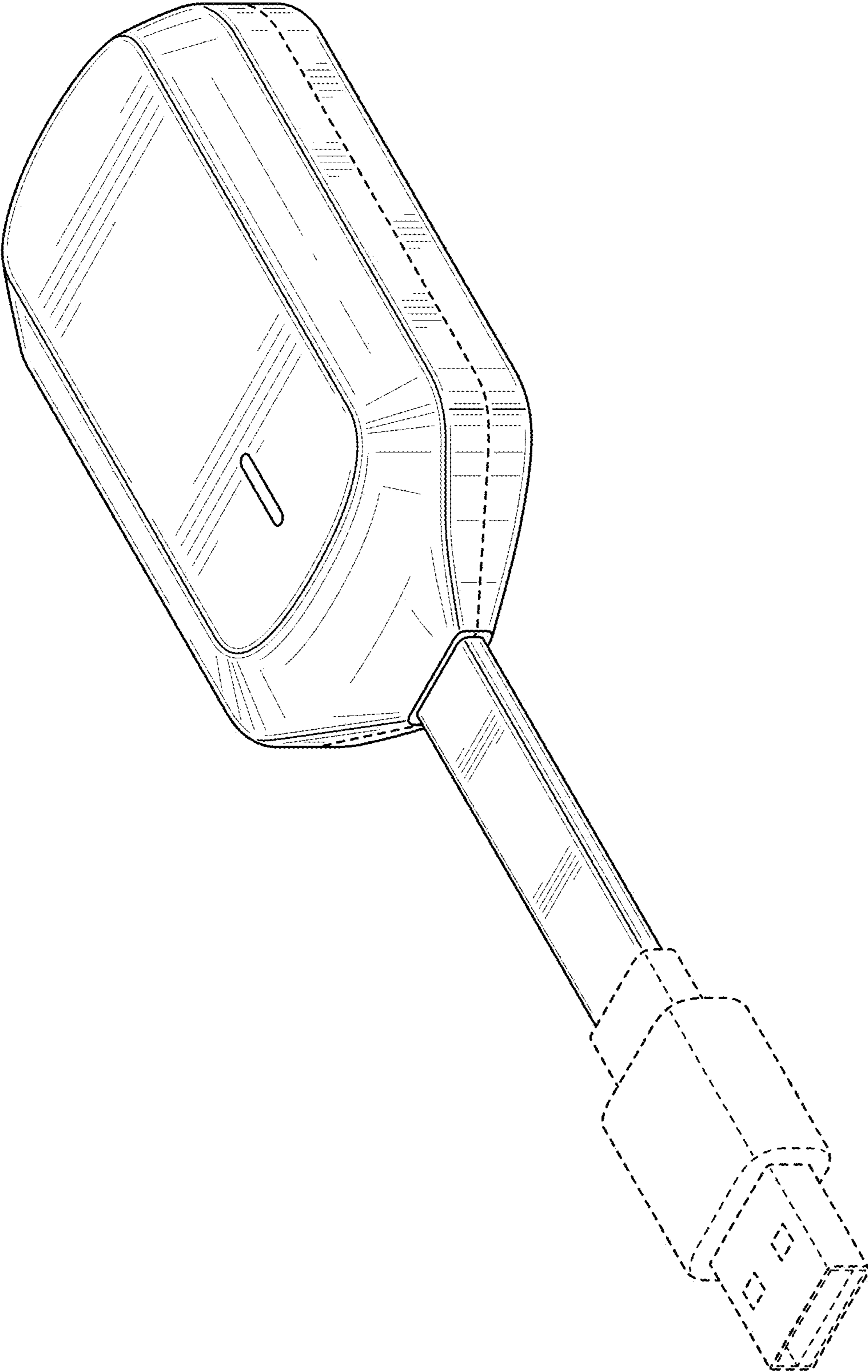


FIG. 1

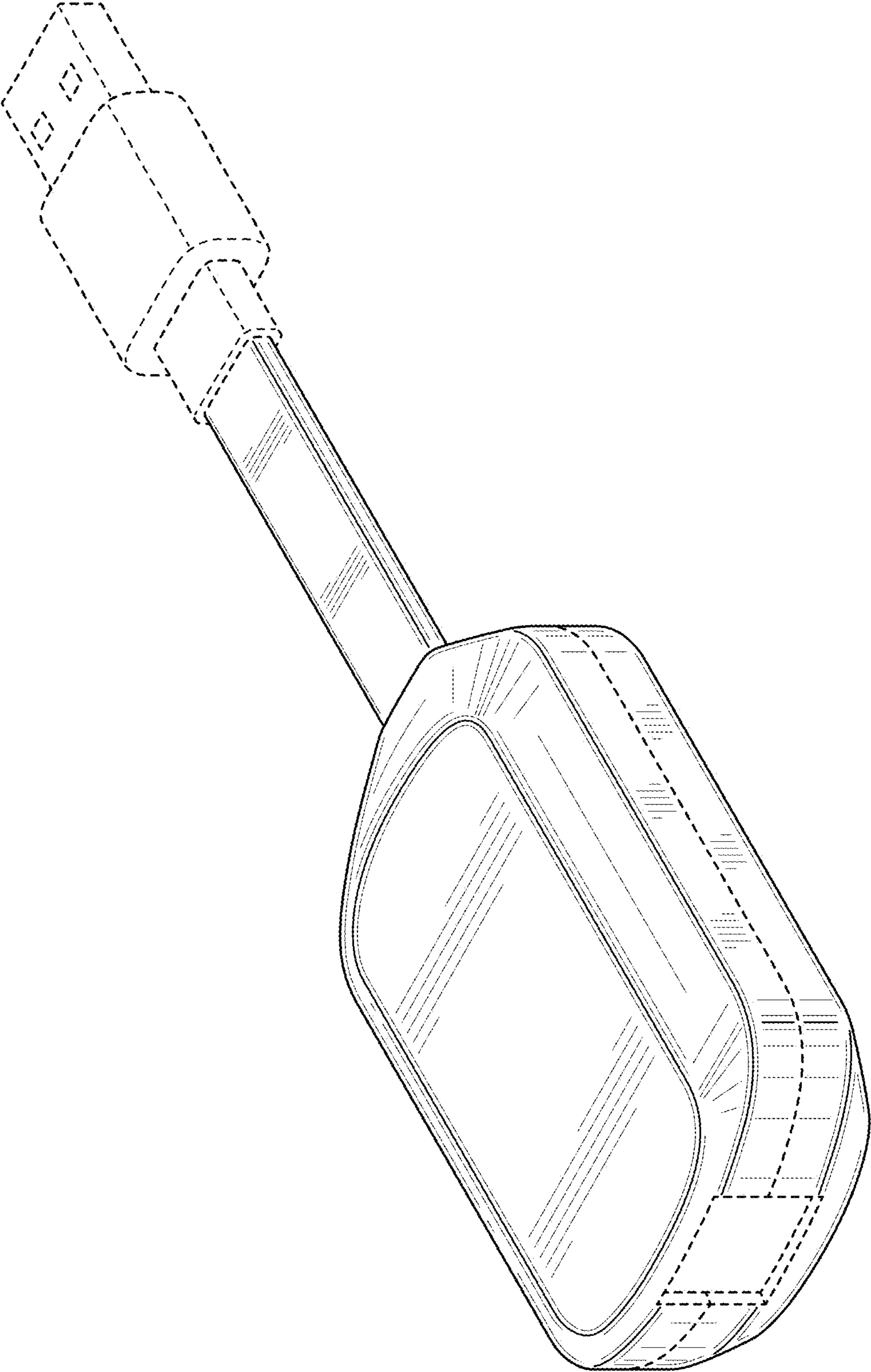


FIG. 2

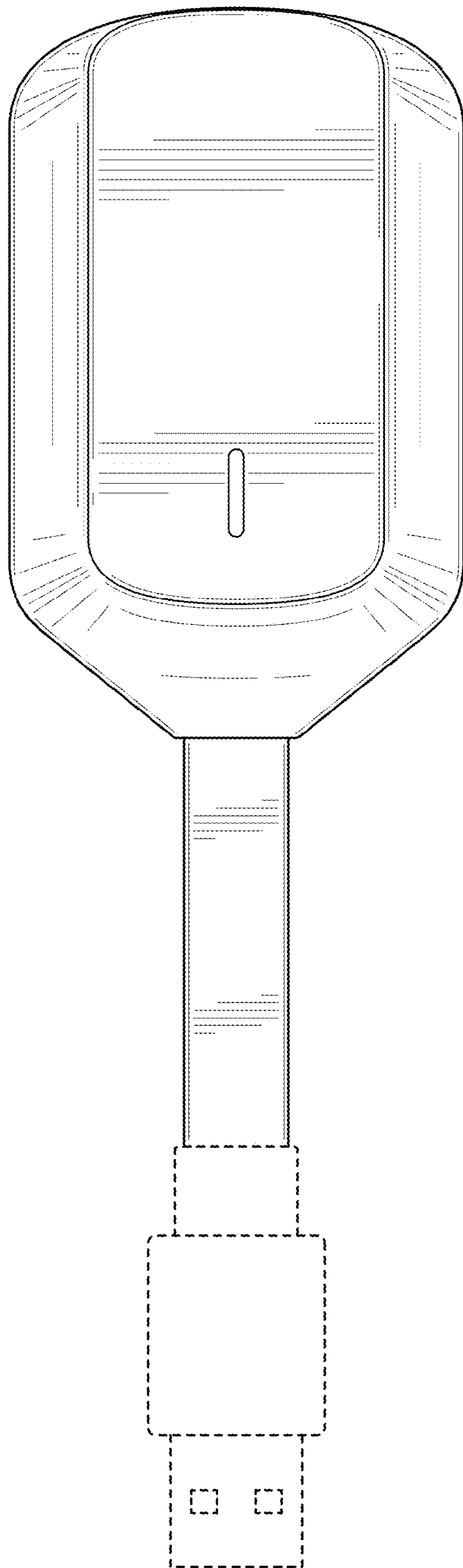


FIG. 3

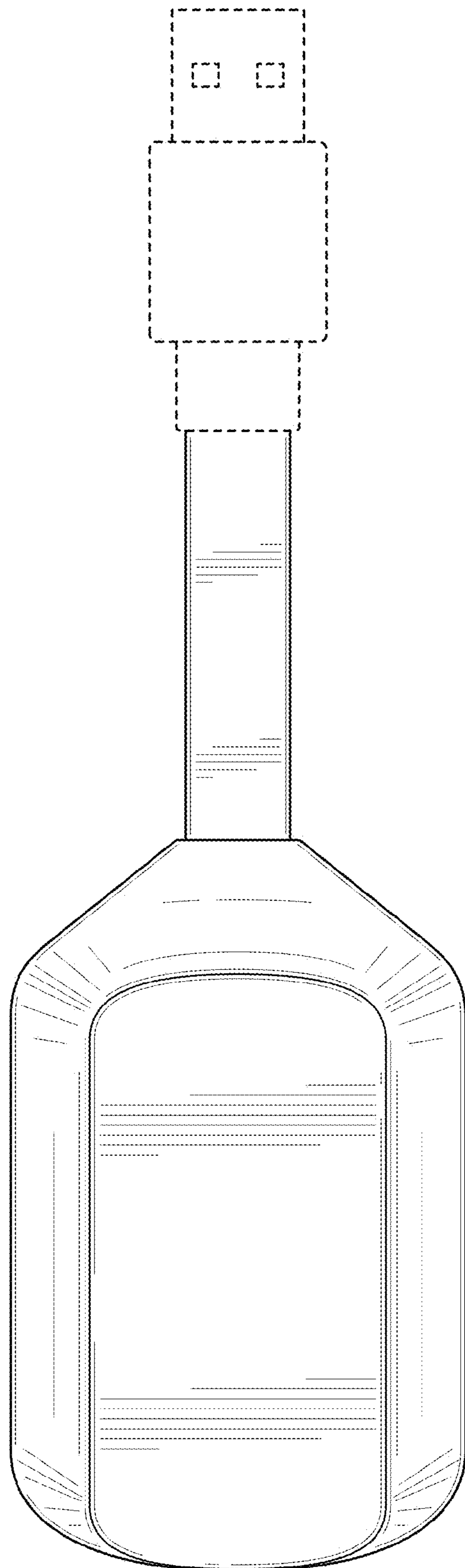


FIG. 4

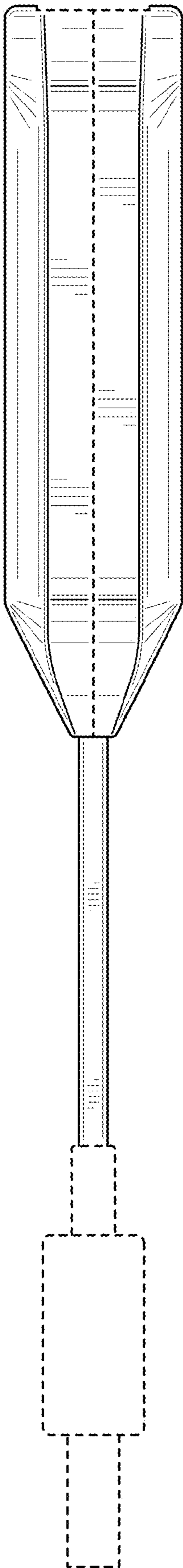


FIG. 5

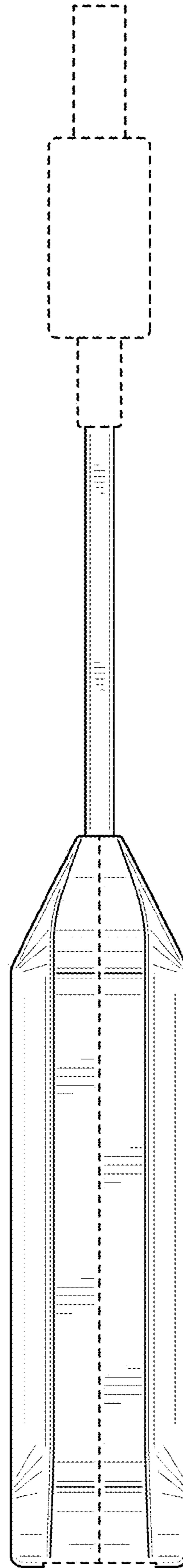


FIG. 6

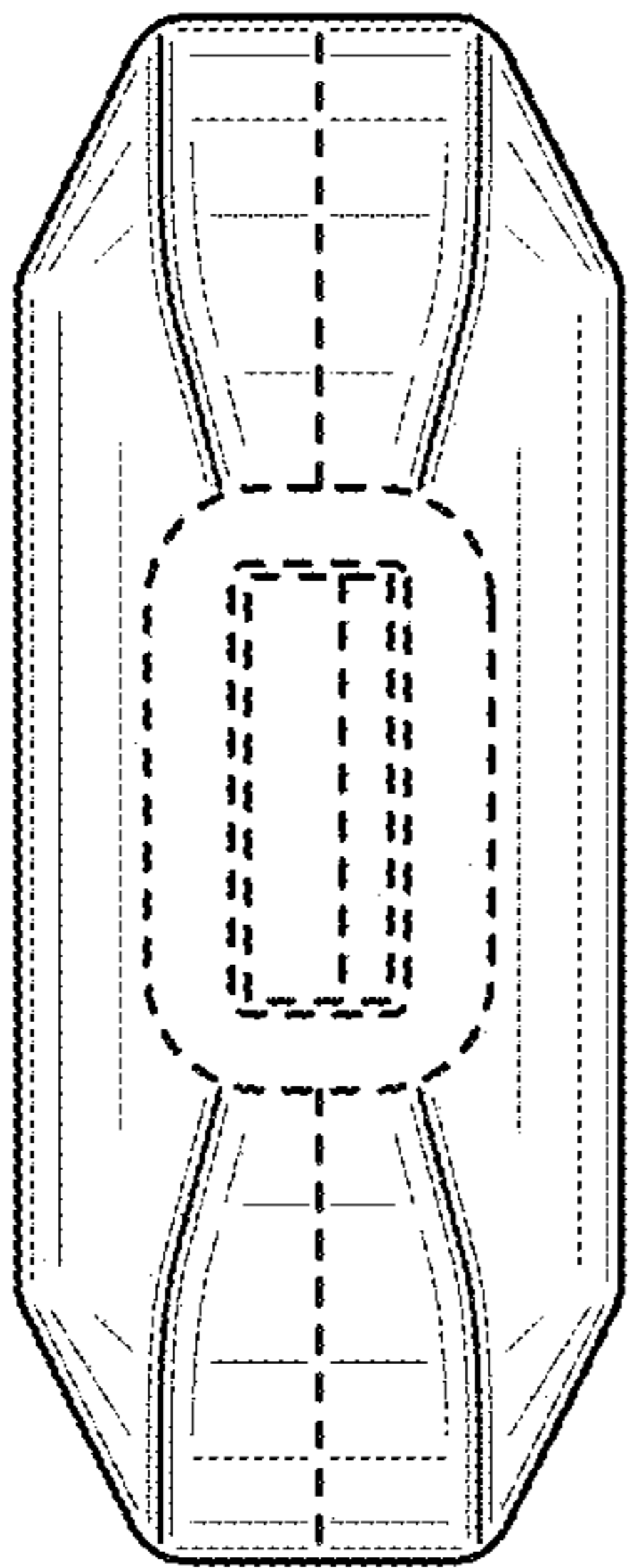


FIG. 7

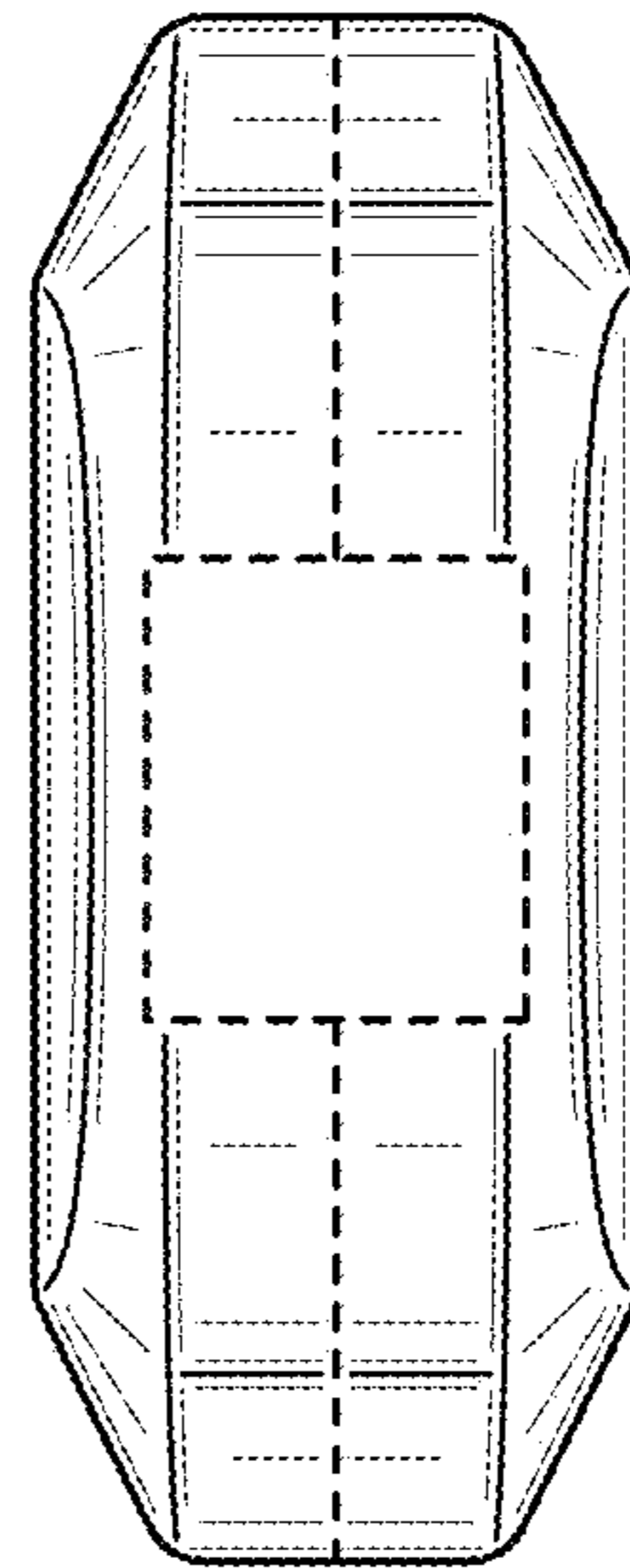


FIG. 8

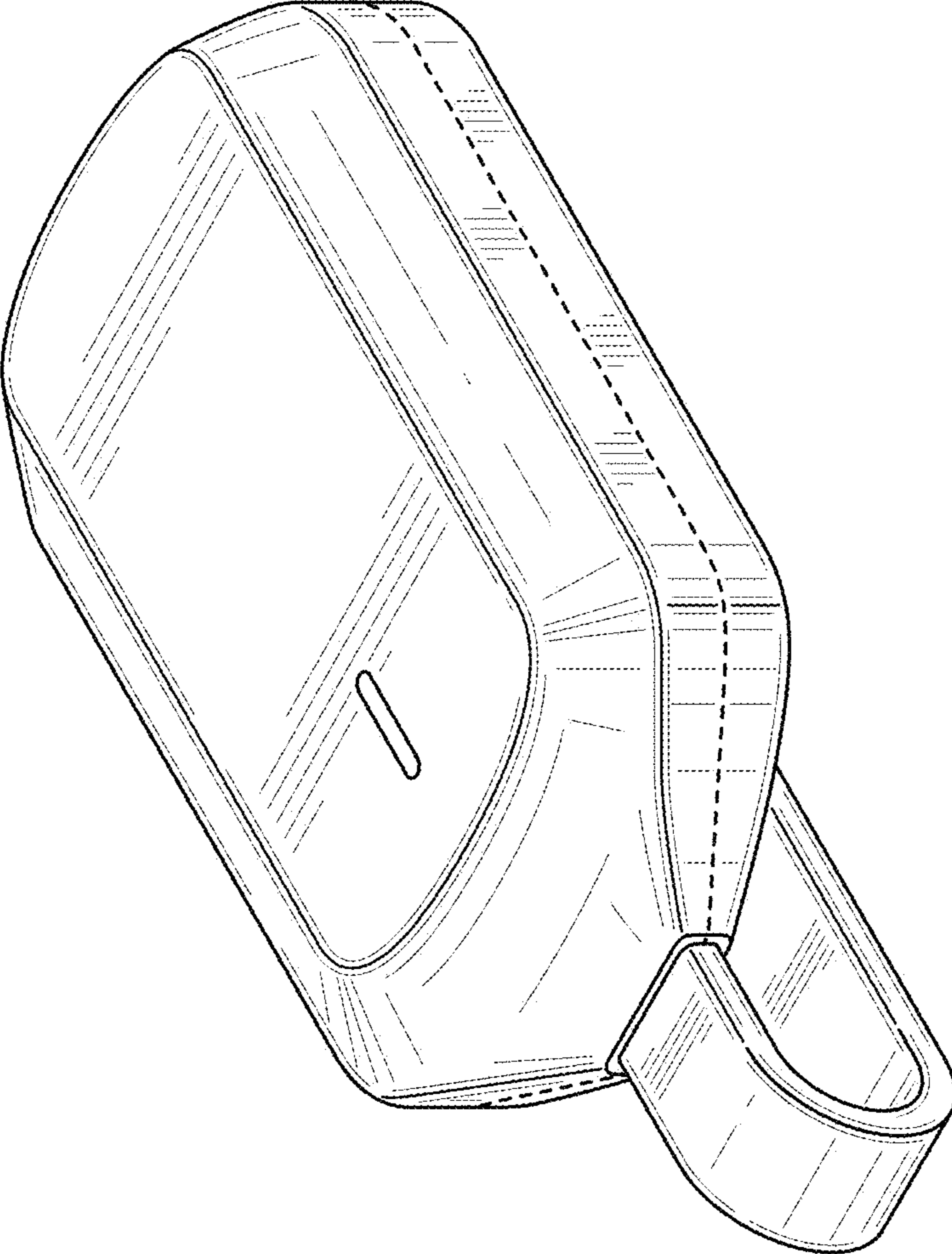


FIG. 9

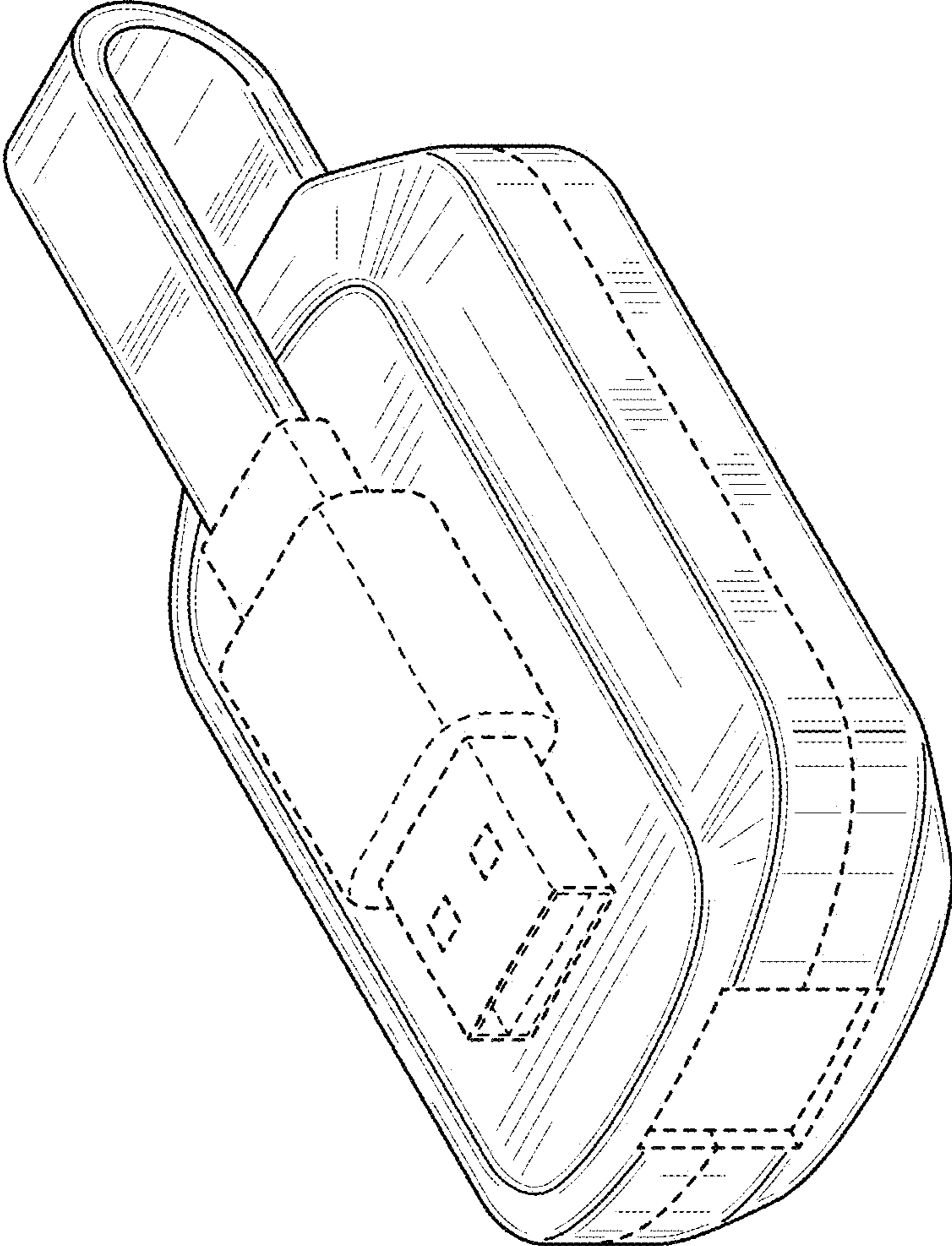


FIG. 10

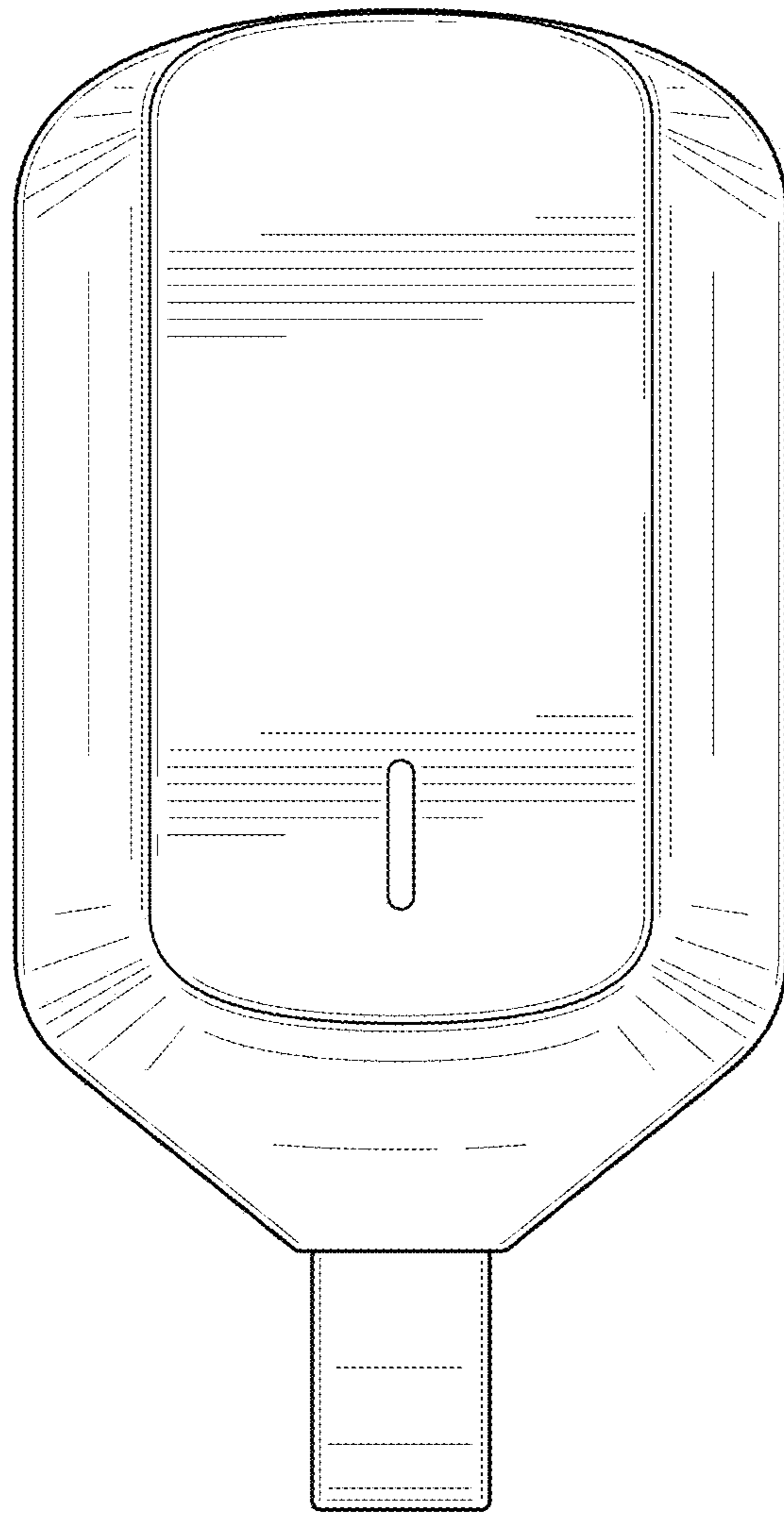


FIG. 11

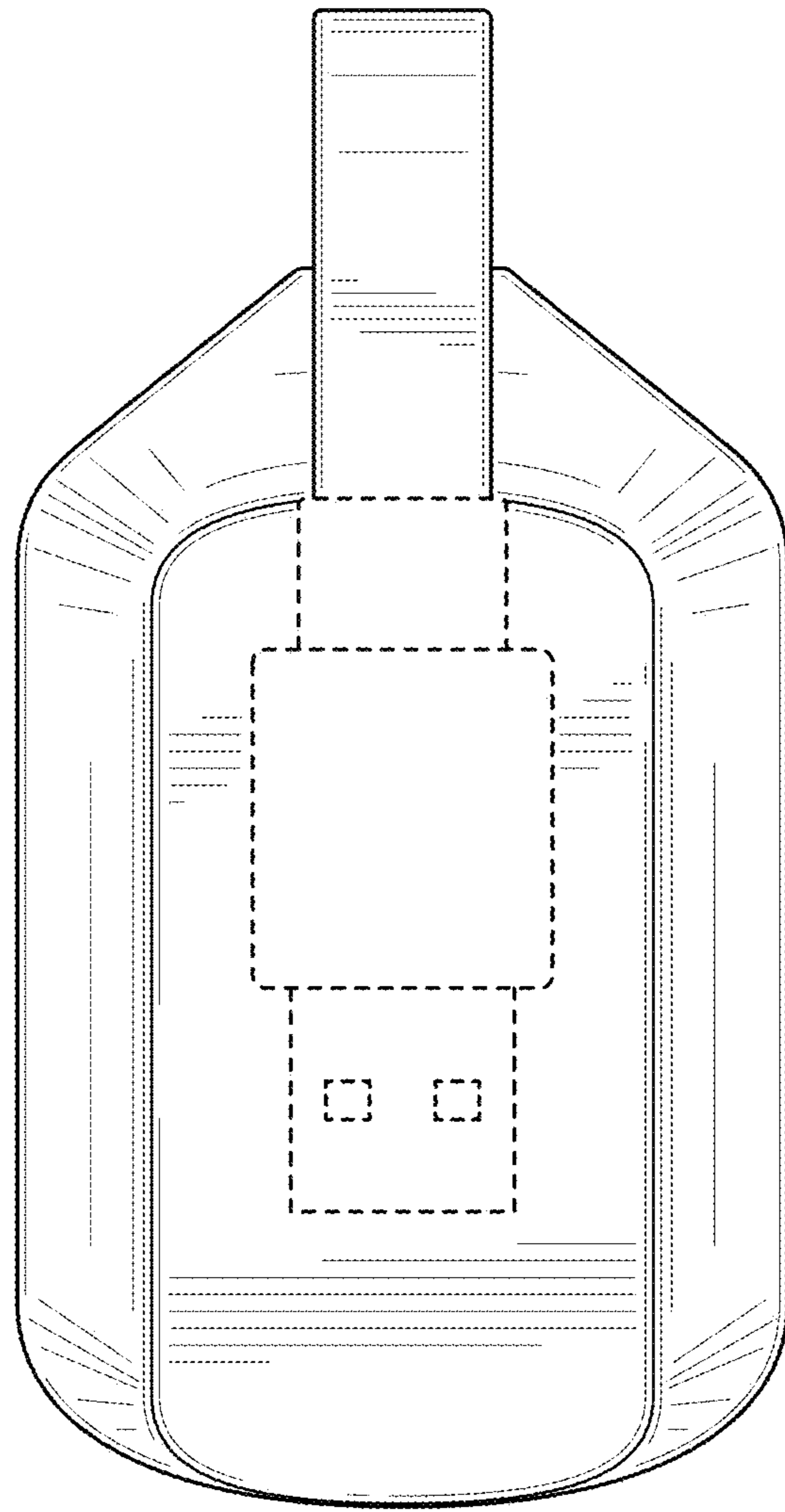


FIG. 12

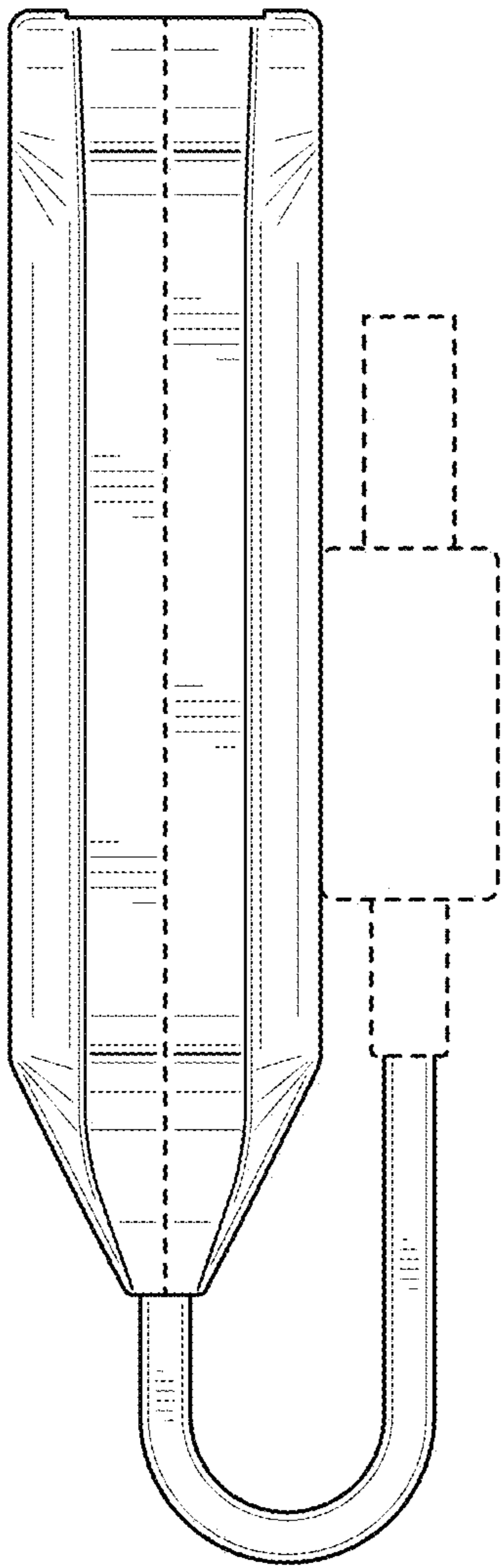


FIG. 13

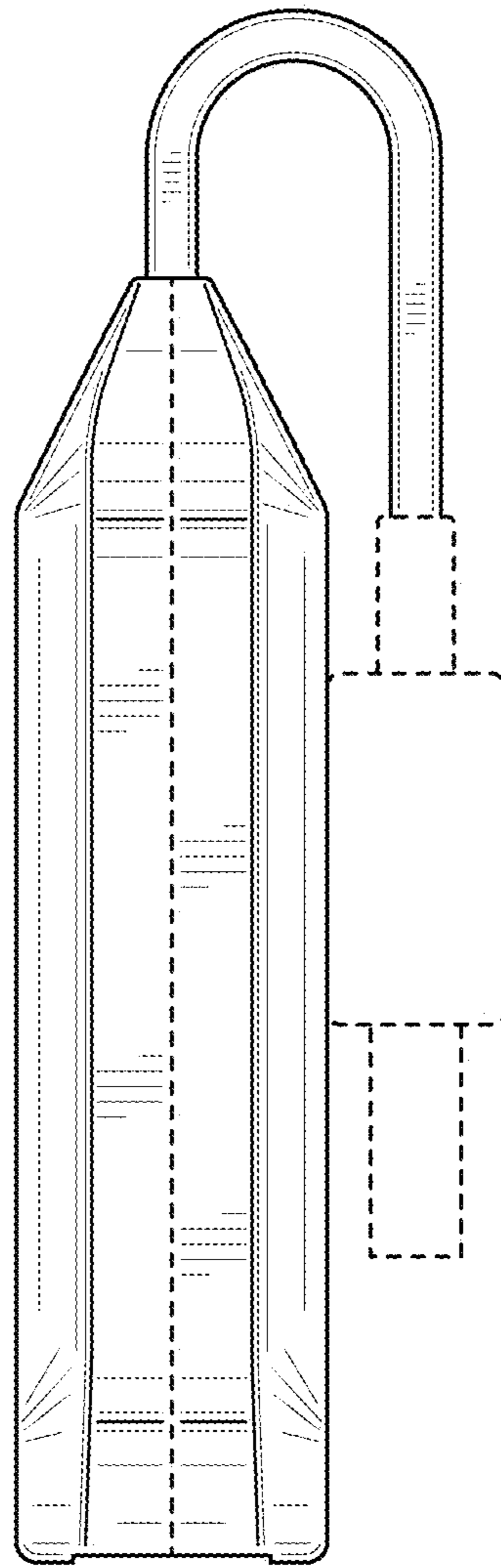


FIG. 14

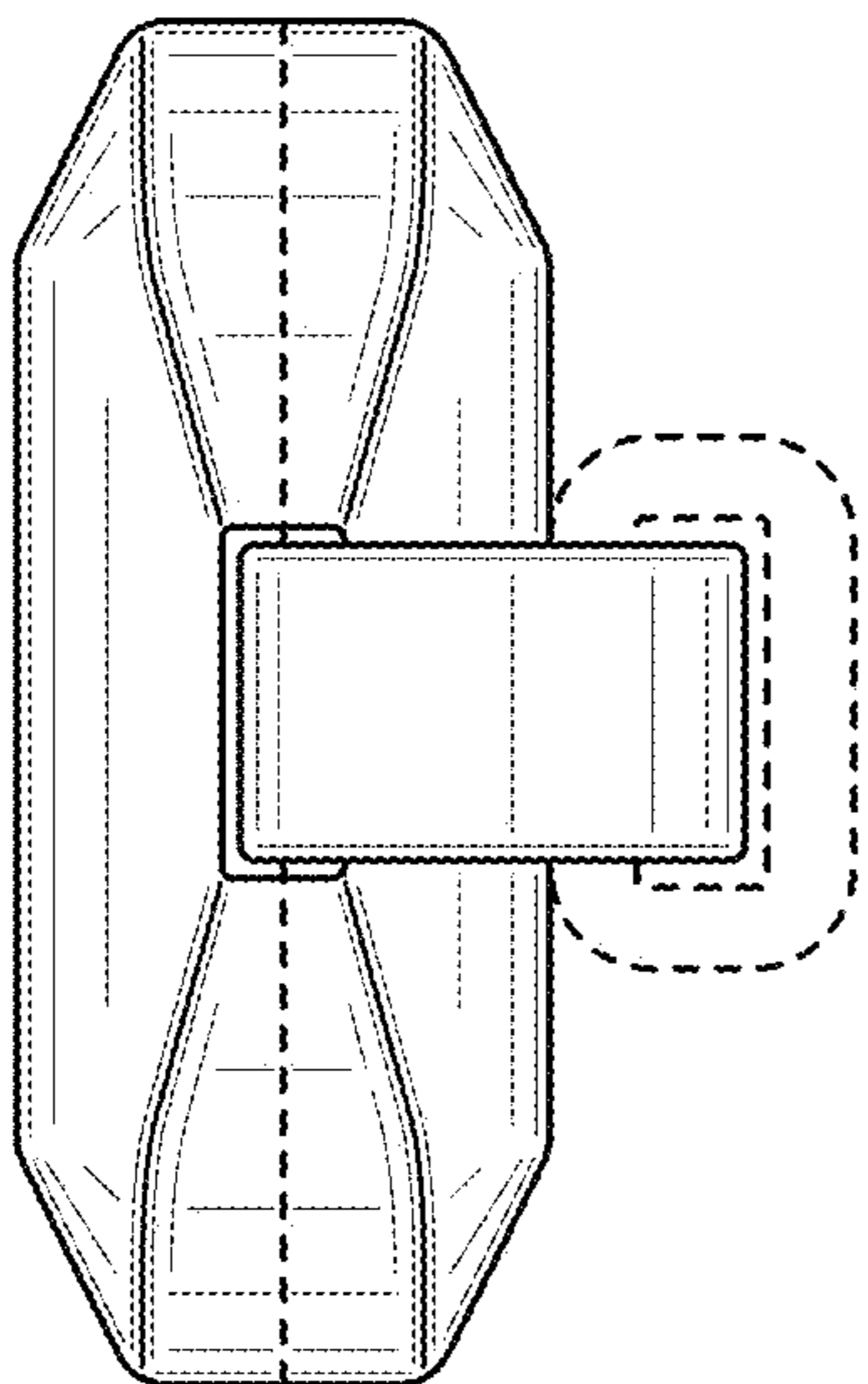


FIG. 15

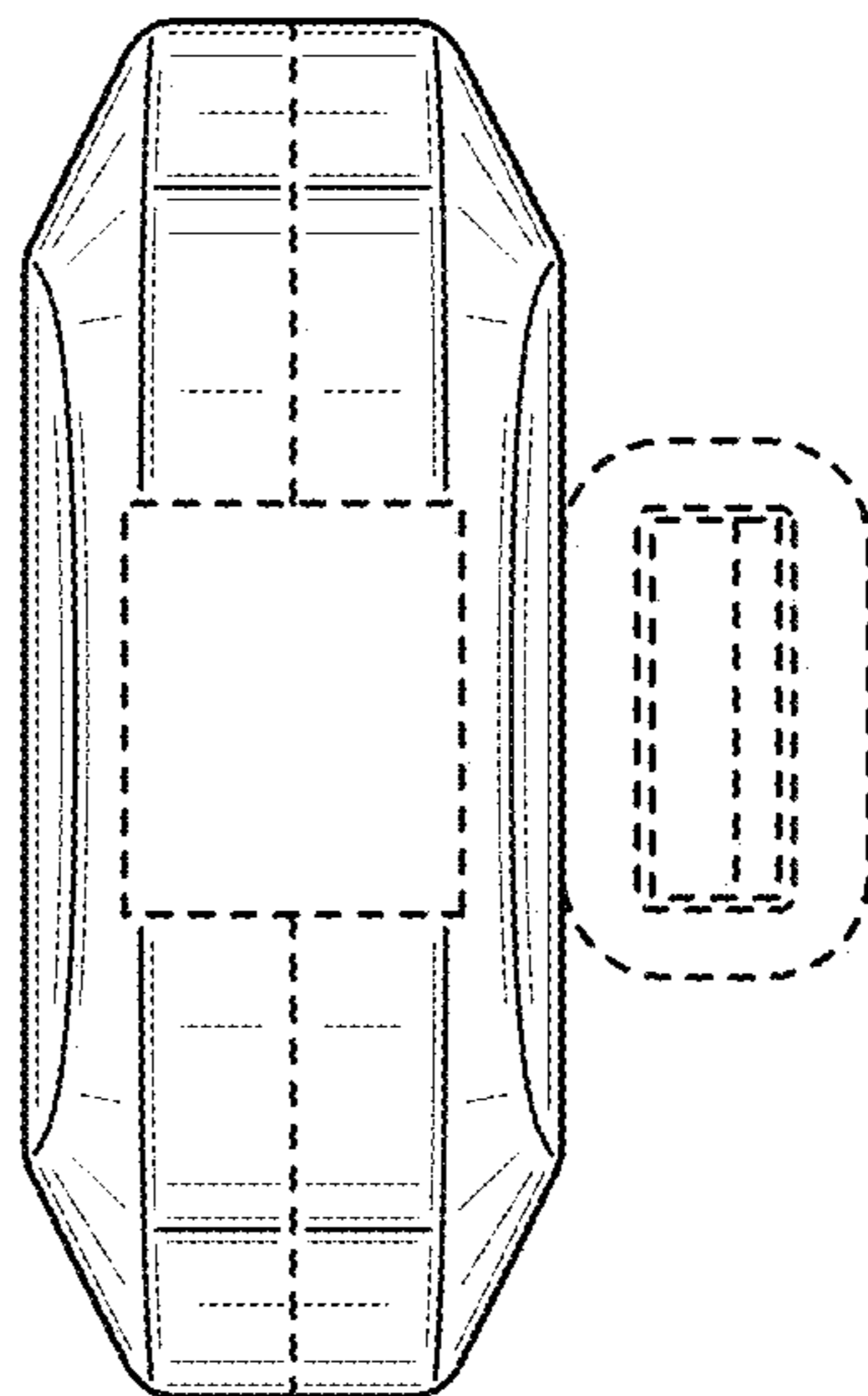


FIG. 16

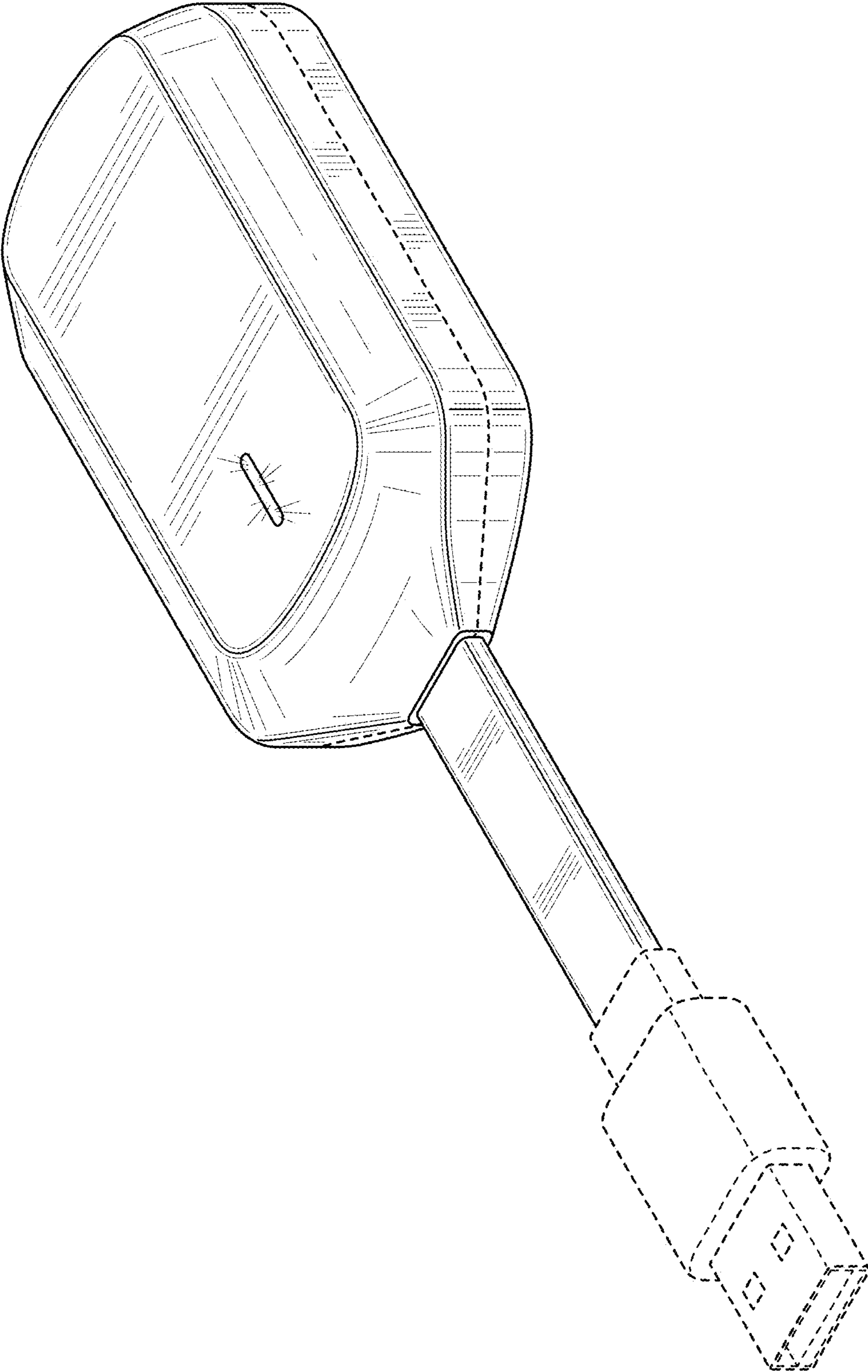


FIG. 17

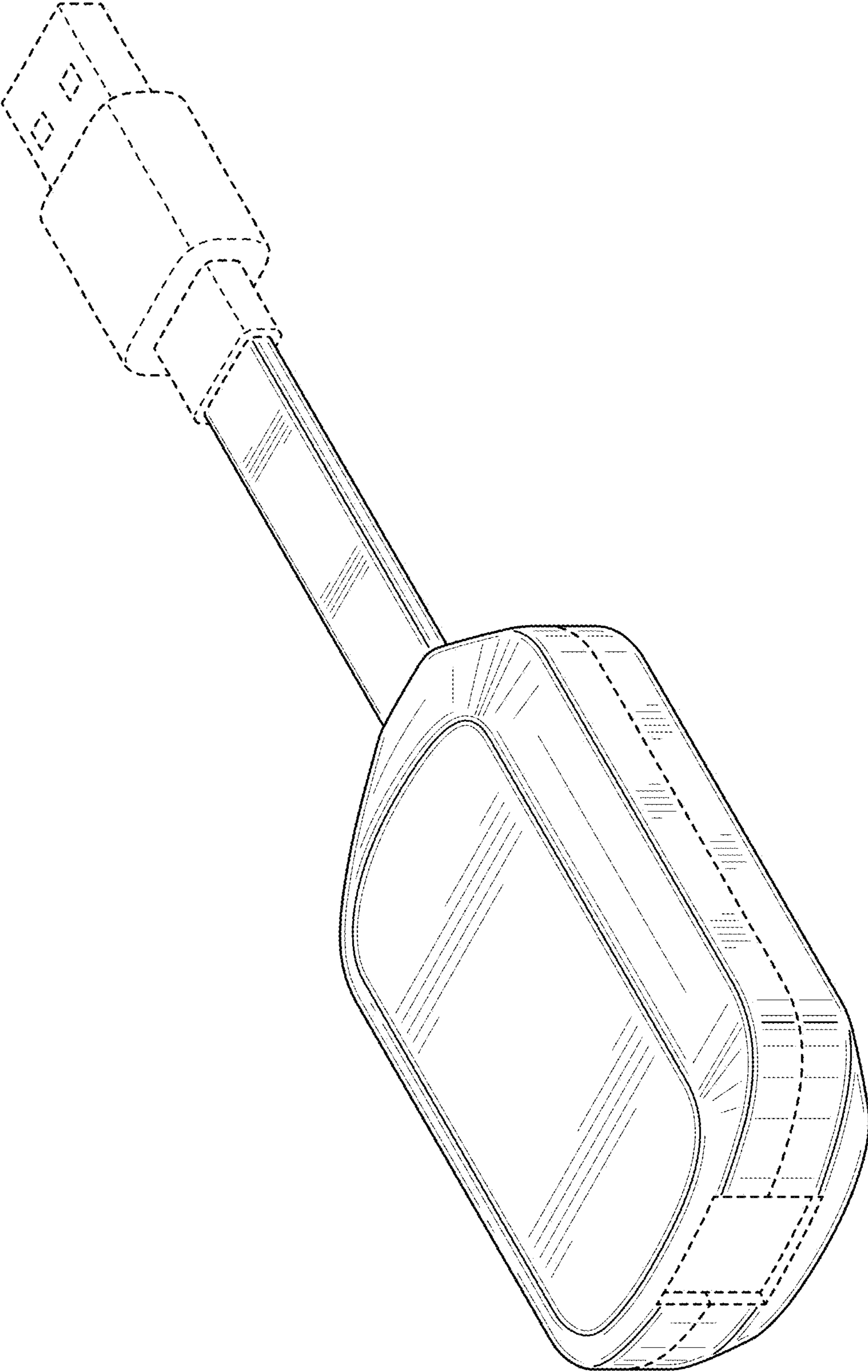


FIG. 18

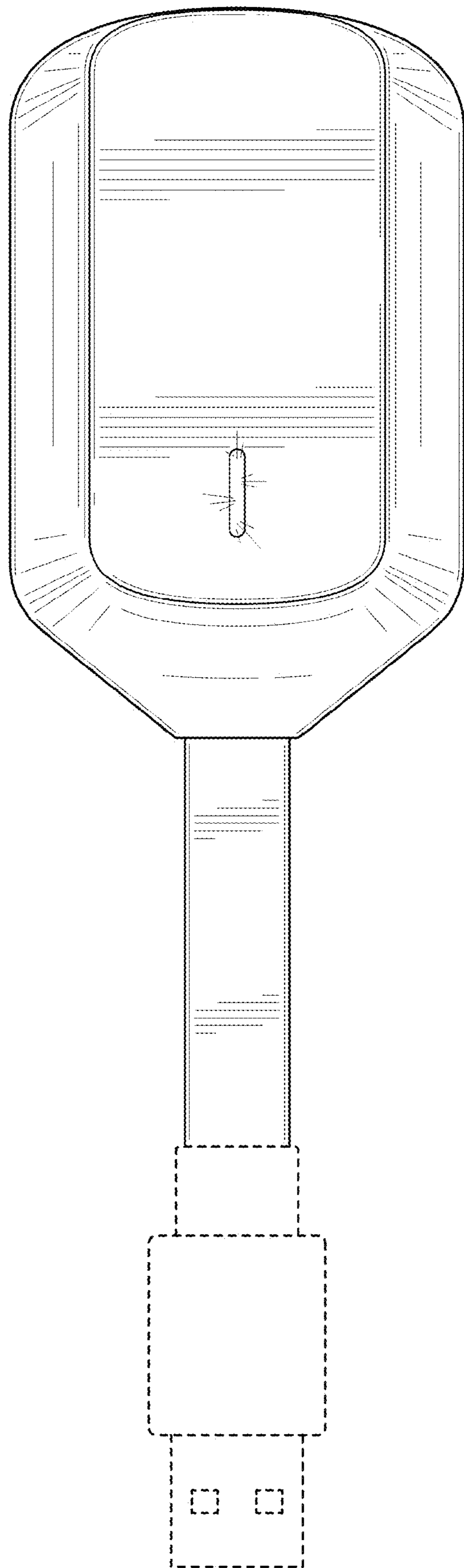


FIG. 19

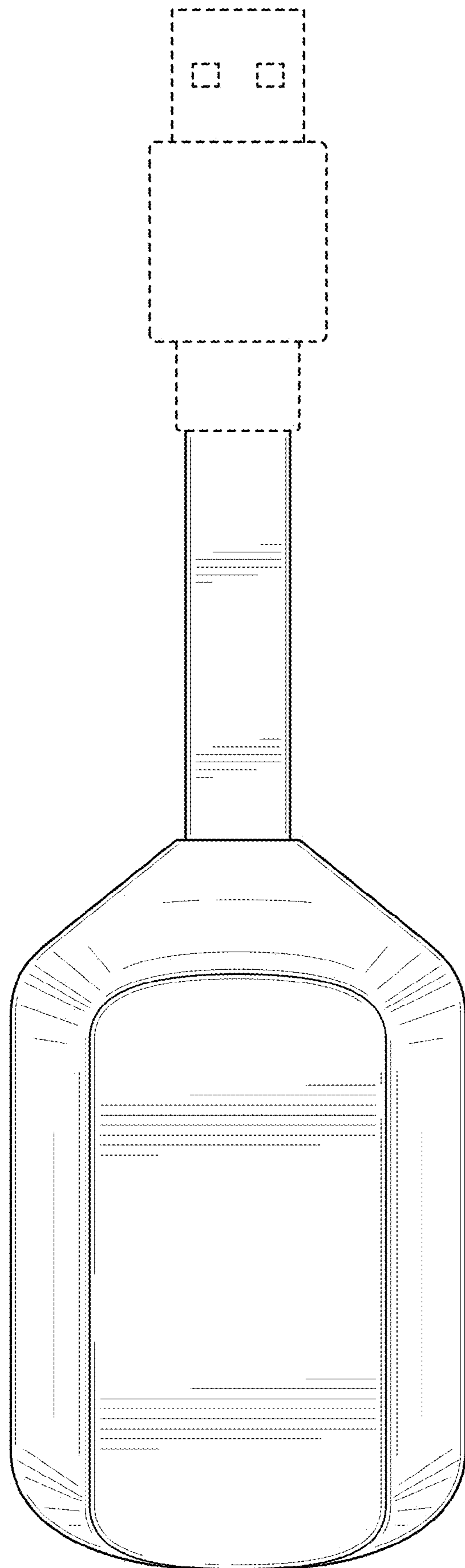


FIG. 20

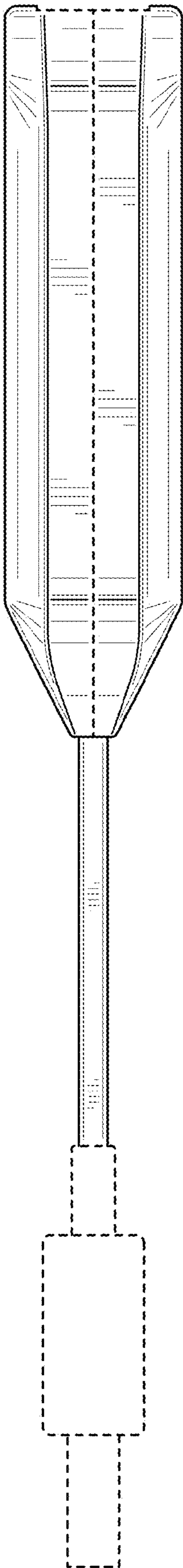


FIG. 21

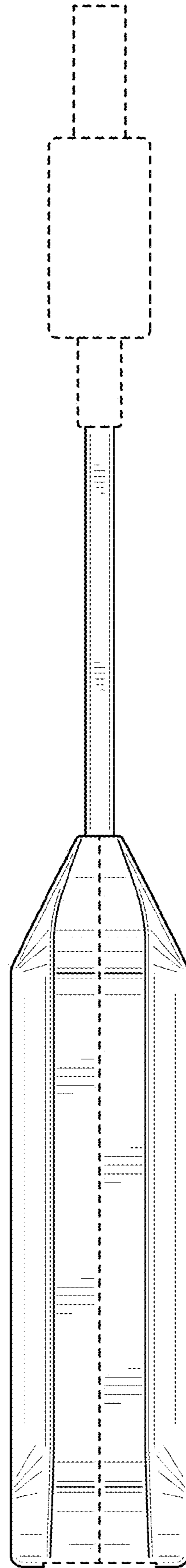


FIG. 22

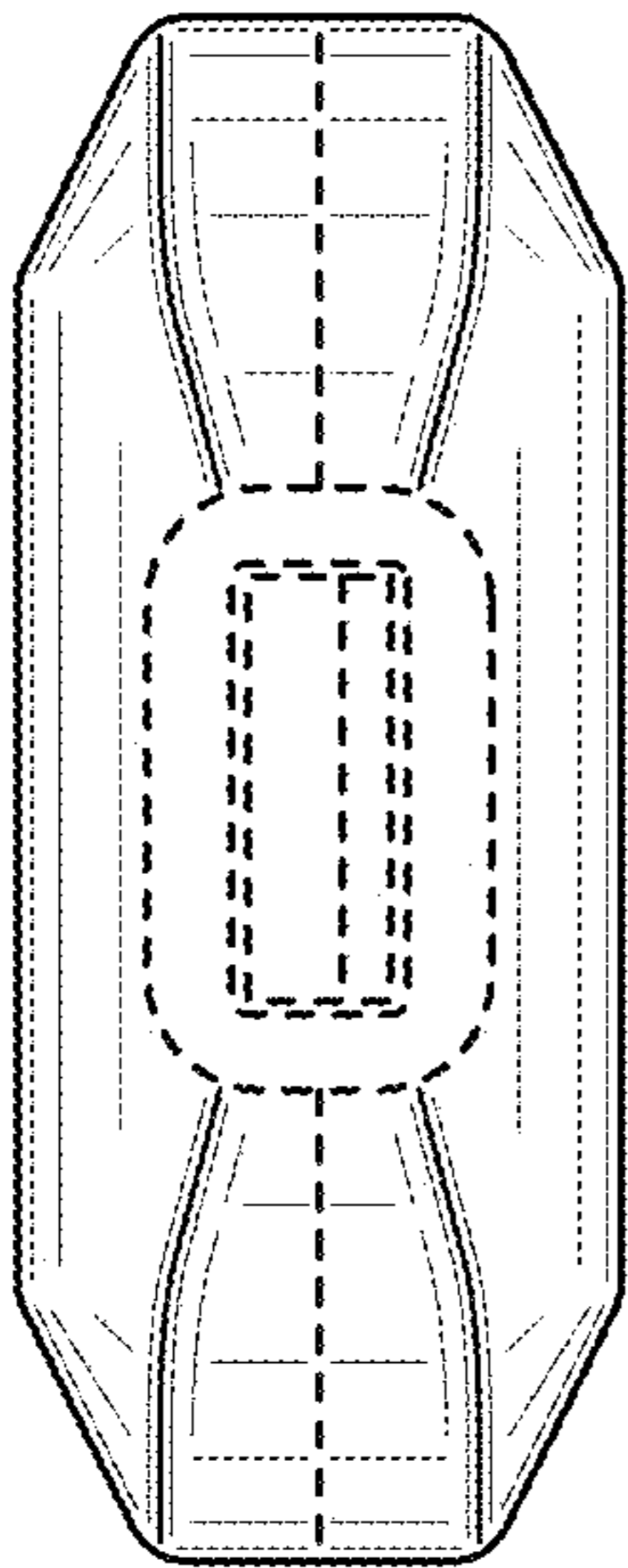


FIG. 23

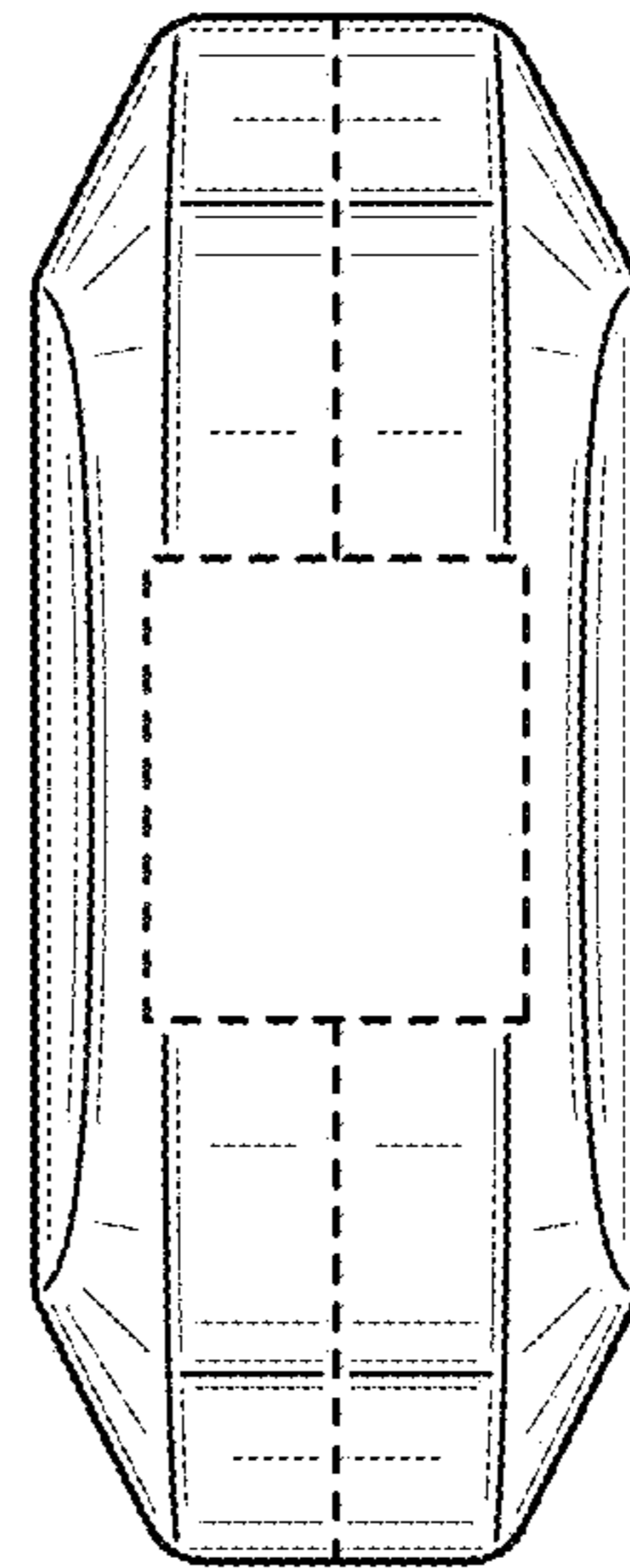


FIG. 24

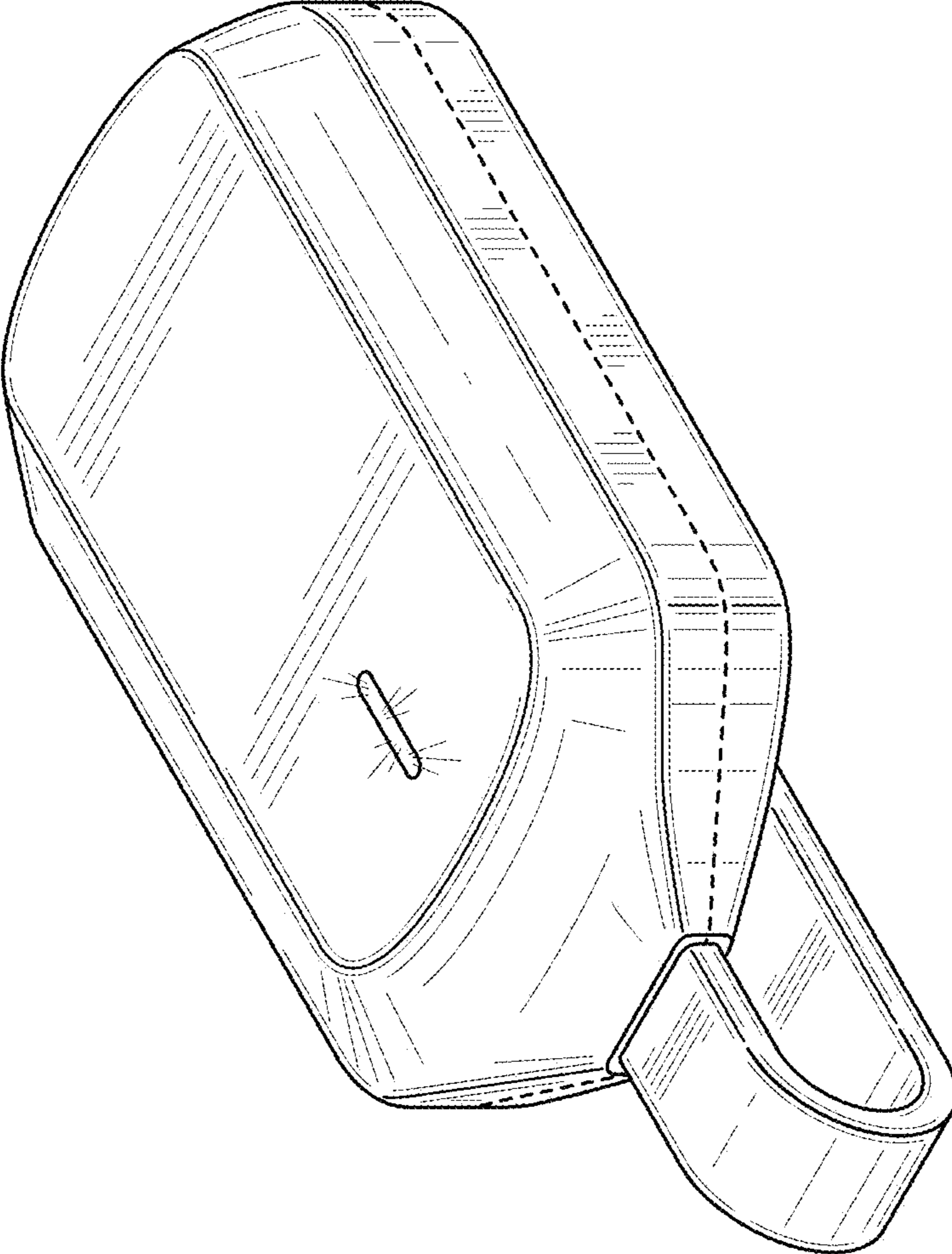


FIG. 25

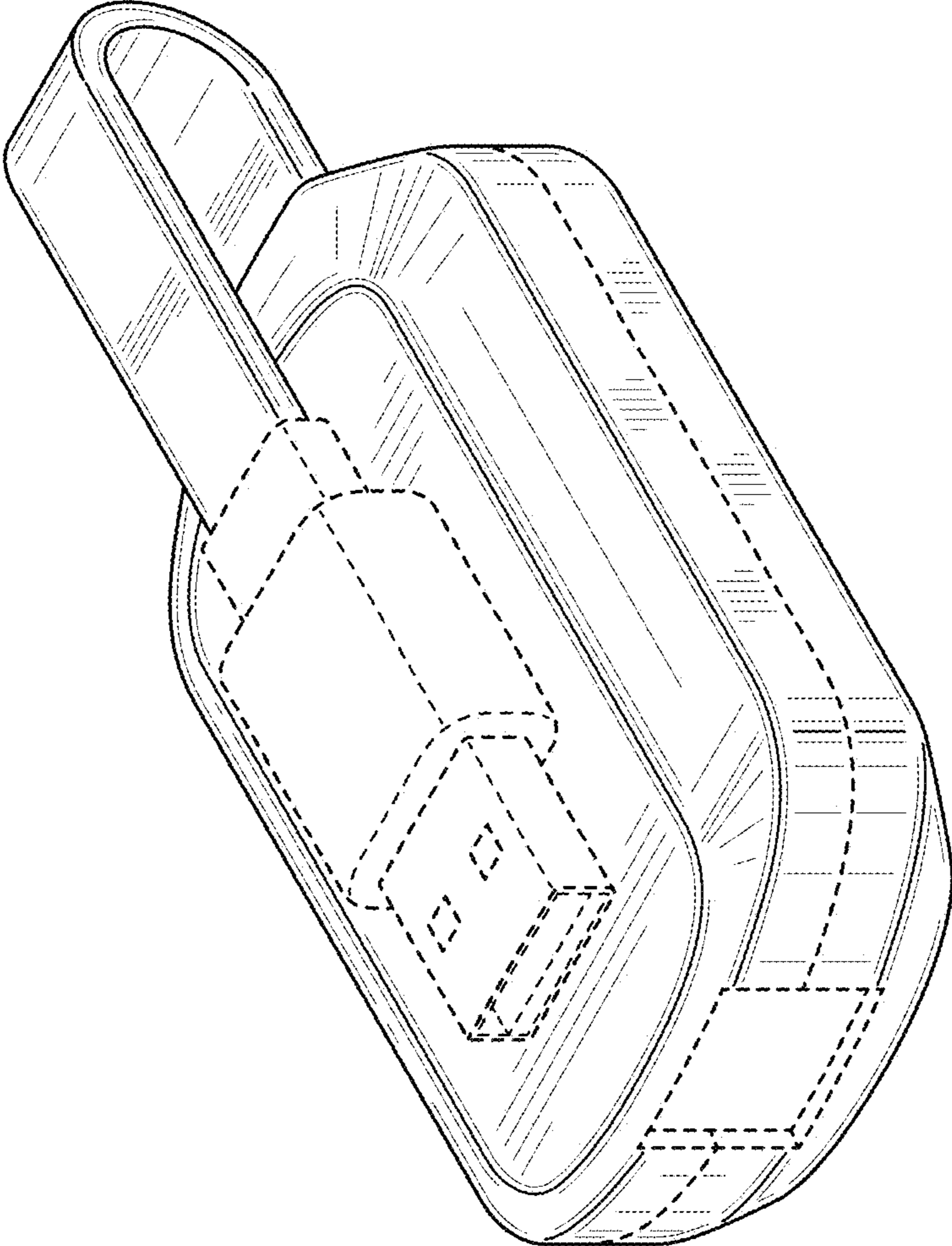


FIG. 26

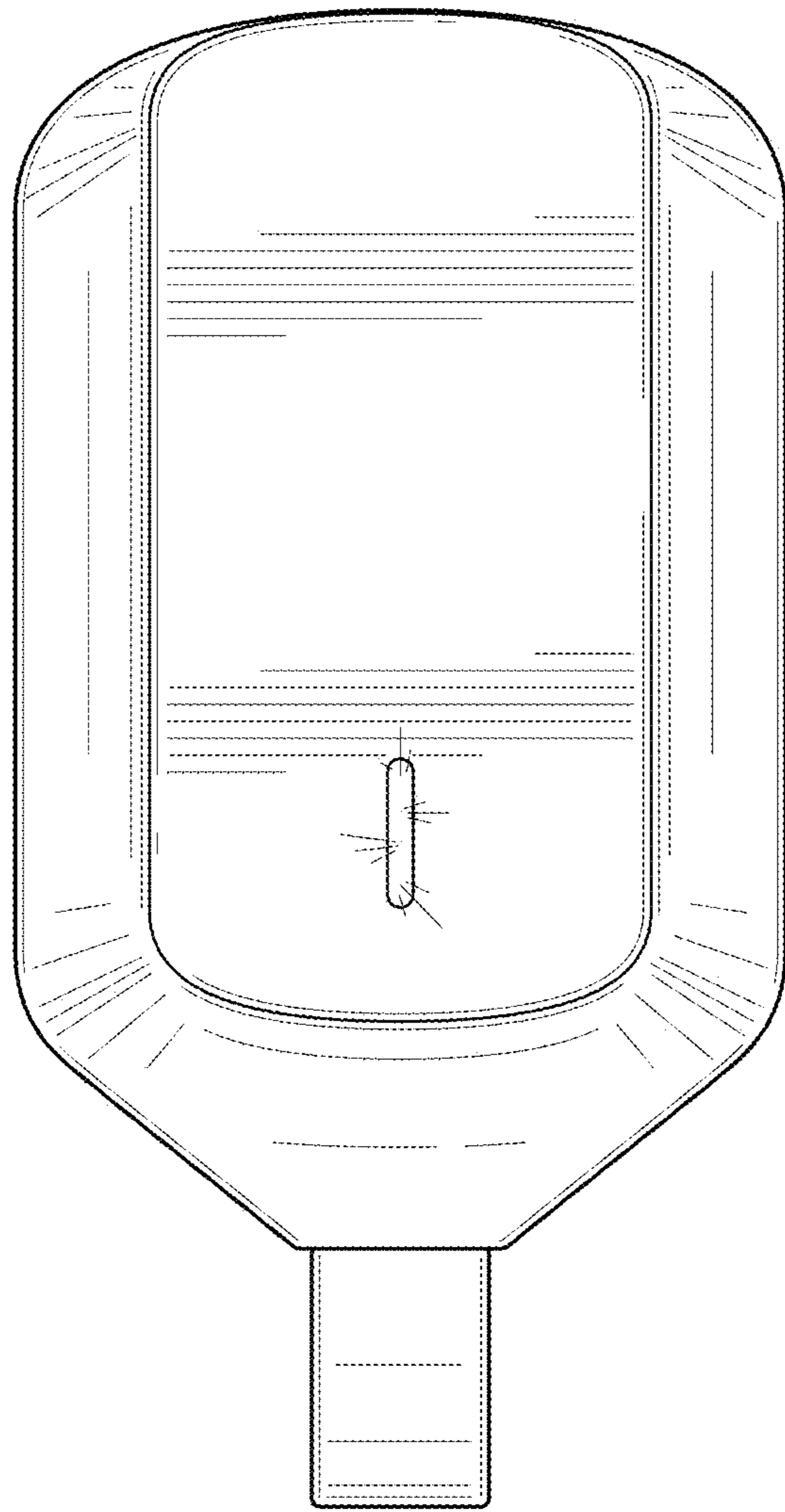


FIG. 27

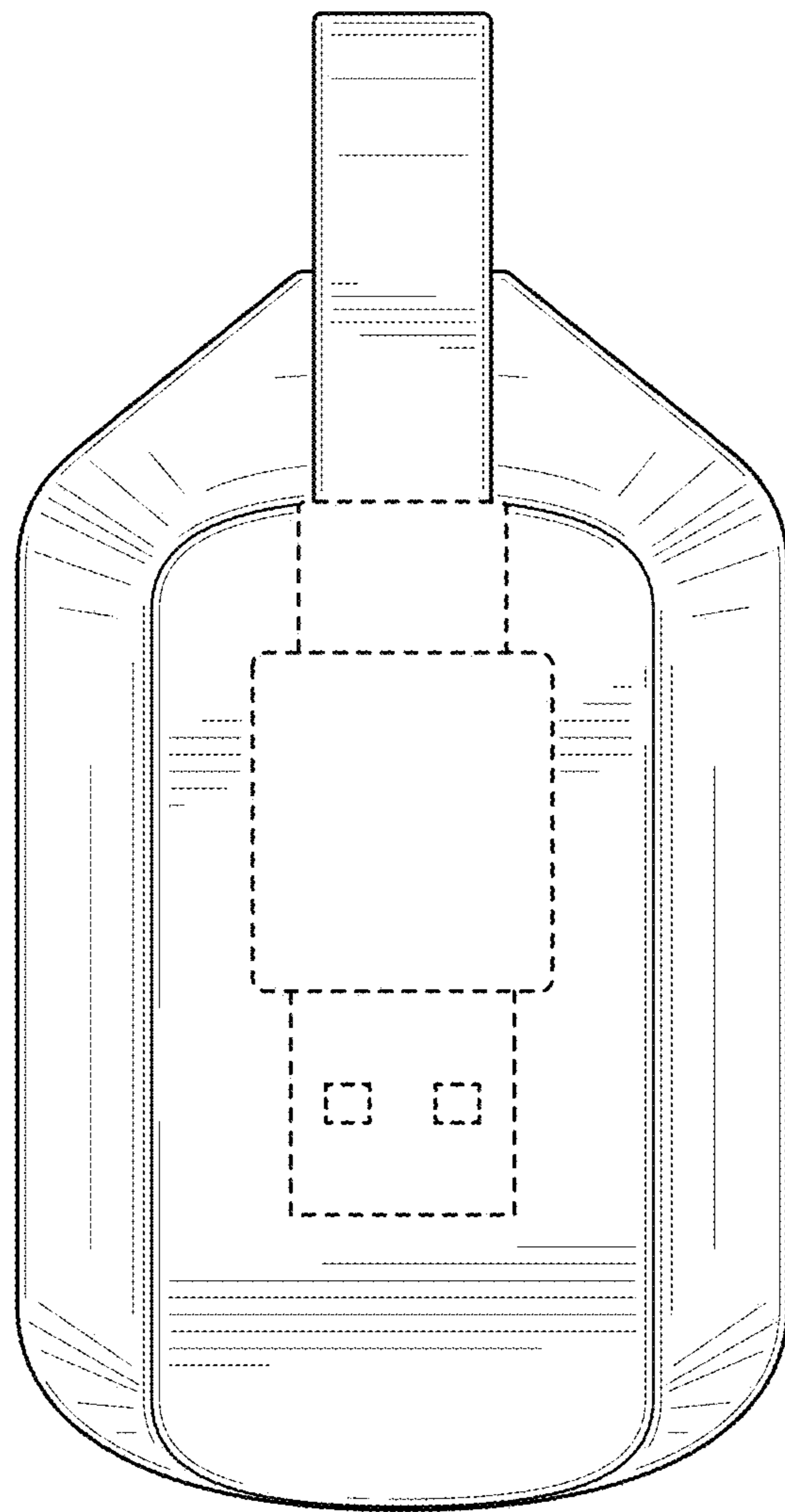


FIG. 28

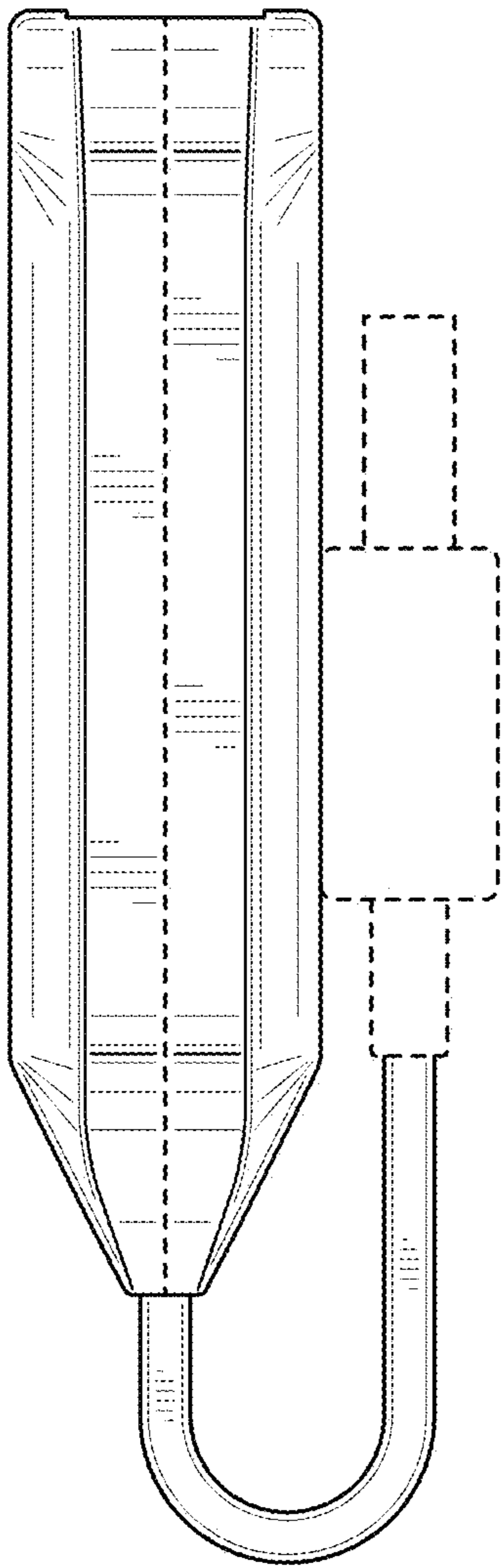


FIG. 29

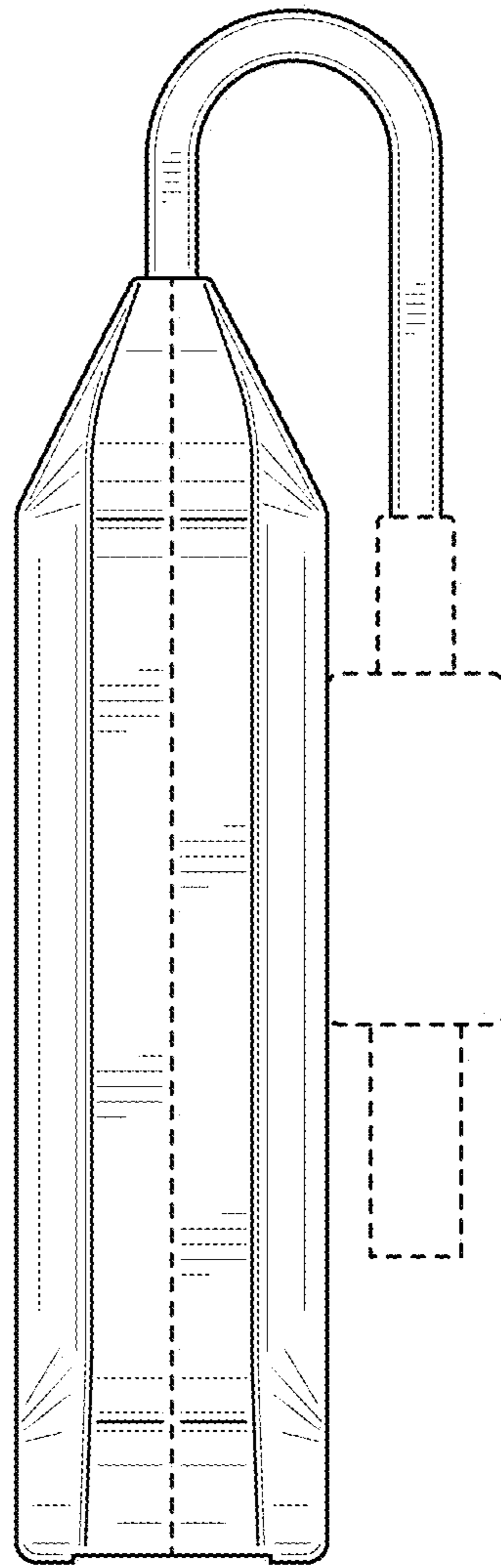


FIG. 30

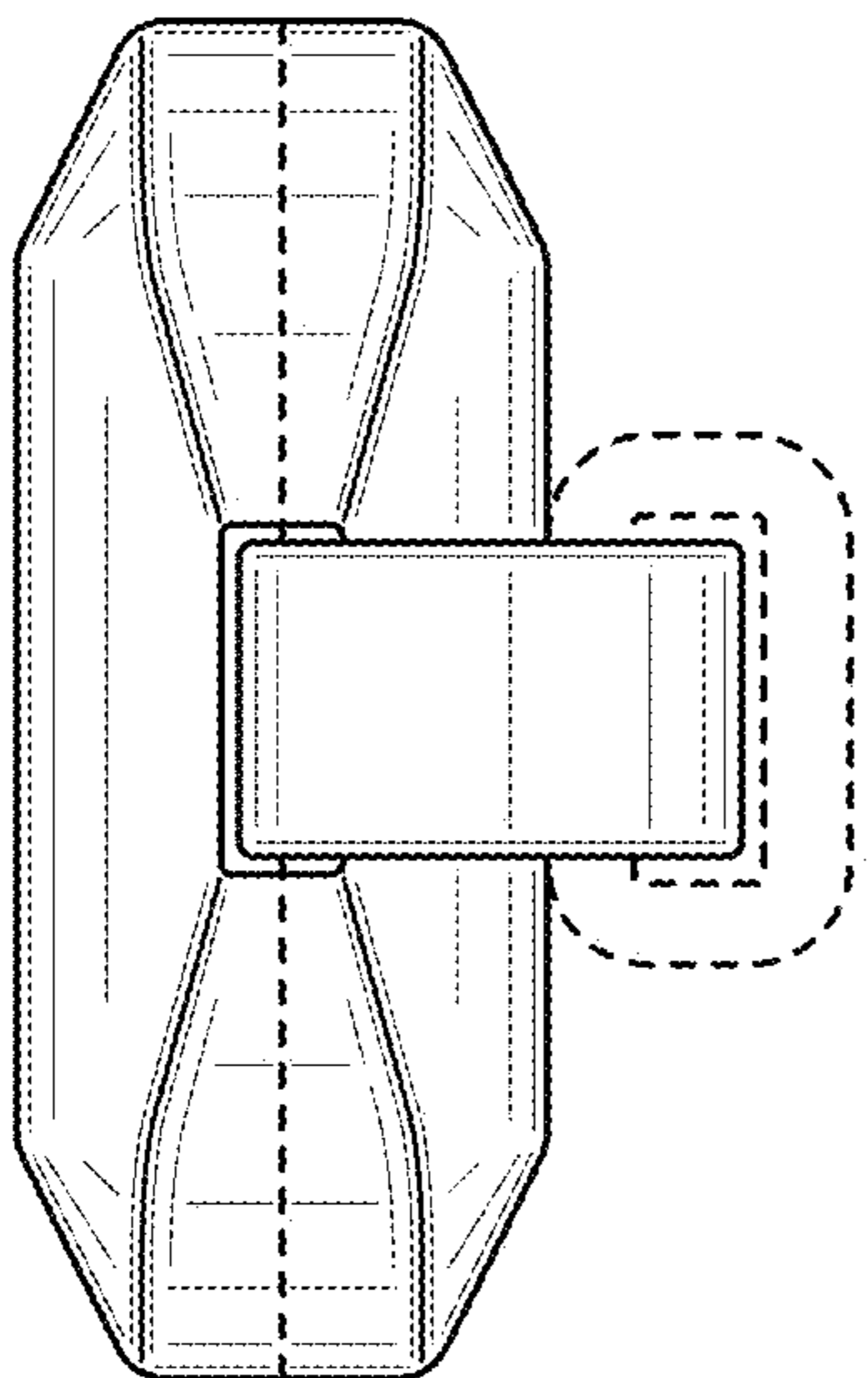


FIG. 31

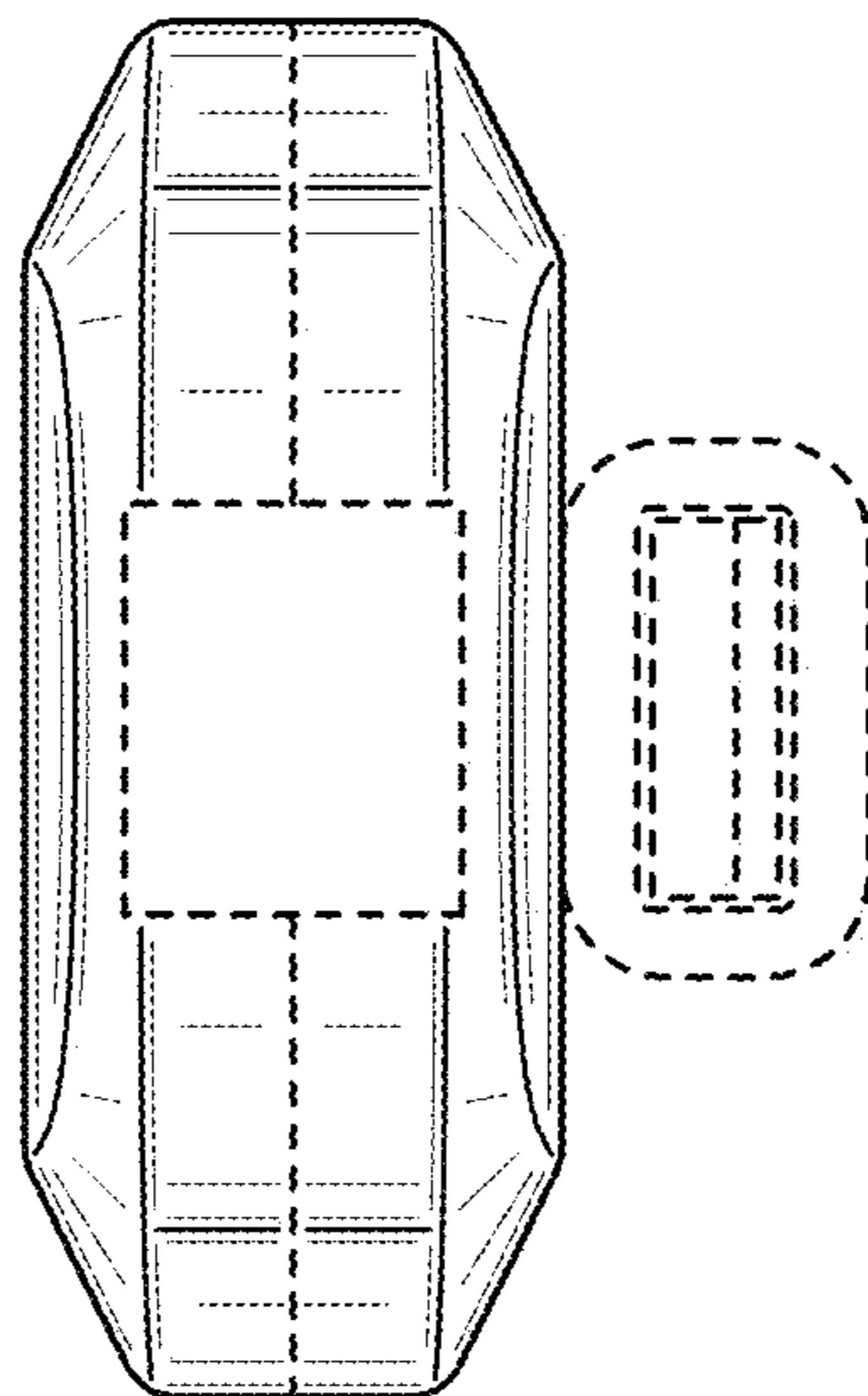


FIG. 32