



US00D904415S

(12) **United States Design Patent**
Lee et al.

(10) **Patent No.:** **US D904,415 S**
(45) **Date of Patent:** **** Dec. 8, 2020**

(54) **PROTECTIVE COVER SKIN FOR ELECTRONIC DEVICE**

(71) Applicant: **elago CO. LTD**, Goyang-si (KR)

(72) Inventors: **Chanwoo Lee**, Goyang-si (KR); **Chong Min Kim**, Seoul (KR)

(73) Assignee: **elago CO. LTD**, Goyang-si (KR)

(**) Term: **15 Years**

(21) Appl. No.: **29/715,010**

(22) Filed: **Nov. 27, 2019**

(51) **LOC (12) Cl.** **14-02**

(52) **U.S. Cl.**
USPC **D14/440**

(58) **Field of Classification Search**
USPC D14/440, 447, 250; 206/45.23, 320, 206/45.2; 361/679.55; 294/25; 224/218; D3/294, 218; D9/420, 606
CPC G06F 1/1628; G06F 1/1626; A47B 23/044
See application file for complete search history.

(56) **References Cited**

U.S. PATENT DOCUMENTS

D2,522 S *	12/1866	Ware	D9/606
D323,929 S *	2/1992	Hodson	D14/440
D377,788 S *	2/1997	Carlson	D14/440
D447,049 S *	8/2001	Vandervort	D9/606
D467,799 S *	12/2002	Persson	D9/420
D472,382 S *	4/2003	Larsen	D3/271.2
D558,973 S *	1/2008	Hussaini	D3/201
D659,484 S *	5/2012	Schwartz	D7/628
D695,071 S *	12/2013	Franco	D7/516
D699,033 S *	2/2014	Welch	D3/216
D714,296 S *	9/2014	Fujioka	D14/440
D720,096 S *	12/2014	McDougall	D28/66
D740,692 S *	10/2015	Christie	D9/748
D758,201 S *	6/2016	Sehl	D9/606

D764,476 S *	8/2016	Gleason, III	D14/440
D784,683 S *	4/2017	Stewart	D3/215
D796,151 S *	9/2017	Rescate	D2/719
D810,421 S *	2/2018	Ross	D3/203.1
D814,141 S *	4/2018	Yassa	D2/719
D817,640 S *	5/2018	Dang	D3/294
D818,268 S *	5/2018	Akana	D3/294
D844,388 S *	4/2019	Wampold	D7/606
D846,264 S *	4/2019	Wu	D3/201

(Continued)

Primary Examiner — Cynthia R Underwood

(74) *Attorney, Agent, or Firm* — Paratus Law Group, PLLC

(57) **CLAIM**

The ornamental design for a protective cover skin for electronic device, as shown and described.

DESCRIPTION

FIG. 1 is a front, top, and, right perspective view of a protective cover skin for electronic device, showing the claimed design;

FIG. 2 is a front view thereof;

FIG. 3 is a back view thereof;

FIG. 4 is a left side view thereof;

FIG. 5 is a right side view thereof;

FIG. 6 is a top view thereof;

FIG. 7 is a bottom view thereof;

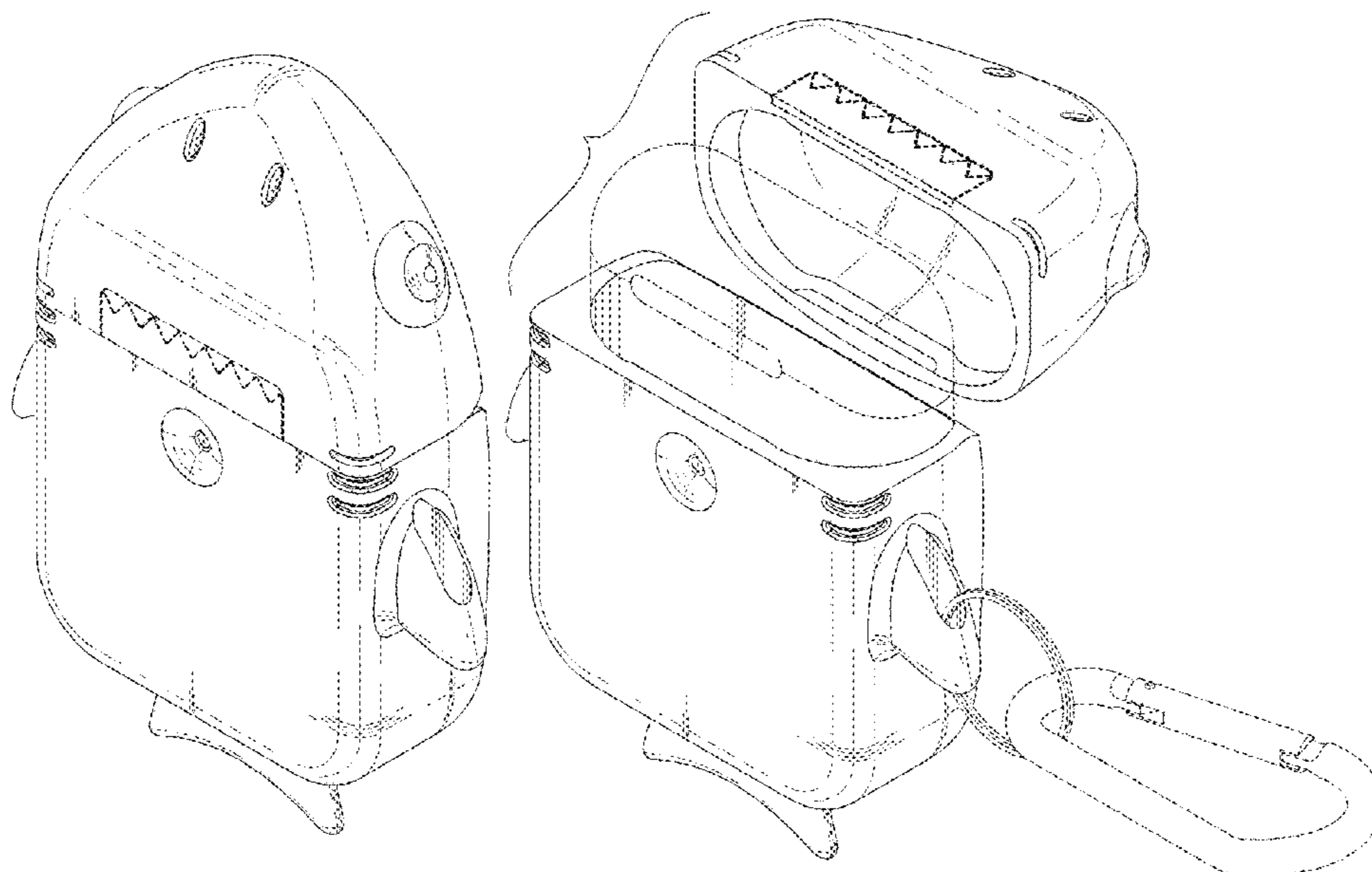
FIG. 8 is a top, back, and right perspective view thereof;

FIG. 9 is a back, bottom, and right perspective view thereof; and,

FIG. 10 is a front, top, and right perspective view thereof with a top portion open in use.

The broken lines shown in FIGS. 1-3 depict parts of the protective cover skin for electronic device and form no part of the claimed design. The broken lines shown in FIG. 10 depict parts of the protective cover skin for electronic device or environment and form no part of the claimed design.

1 Claim, 9 Drawing Sheets



(56)

References Cited

U.S. PATENT DOCUMENTS

D849,401	S	*	5/2019	Akana	D3/274
D864,971	S	*	10/2019	Lee	D14/440
D868,453	S	*	12/2019	Lee	D3/201
D872,094	S	*	1/2020	Wright	D14/440
D873,217	S	*	1/2020	Zhang	D13/108
D876,821	S	*	3/2020	Lee	D3/203.3
D881,179	S	*	4/2020	Wright	D14/250
D883,657	S	*	5/2020	Luo	D3/216
D886,445	S	*	6/2020	Hyun	D3/201
D887,401	S	*	6/2020	Wright	D14/250
D888,036	S	*	6/2020	Wright	D14/250
D888,037	S	*	6/2020	Wright	D14/250
D888,038	S	*	6/2020	Wright	D14/250
D888,039	S	*	6/2020	Wright	D14/250
D888,040	S	*	6/2020	Wright	D14/250
D888,041	S	*	6/2020	Wright	D14/250
D888,042	S	*	6/2020	Wright	D14/250
D888,043	S	*	6/2020	Wright	D14/250
D892,497	S	*	8/2020	Wright	D3/294
D892,498	S	*	8/2020	Wright	D3/294
D893,170	S	*	8/2020	Lee	D3/218
D897,089	S	*	9/2020	Stauffer	D2/972
2007/0256946	A1	*	11/2007	Godshaw	B65D 43/16 206/320

* cited by examiner

FIG. 1

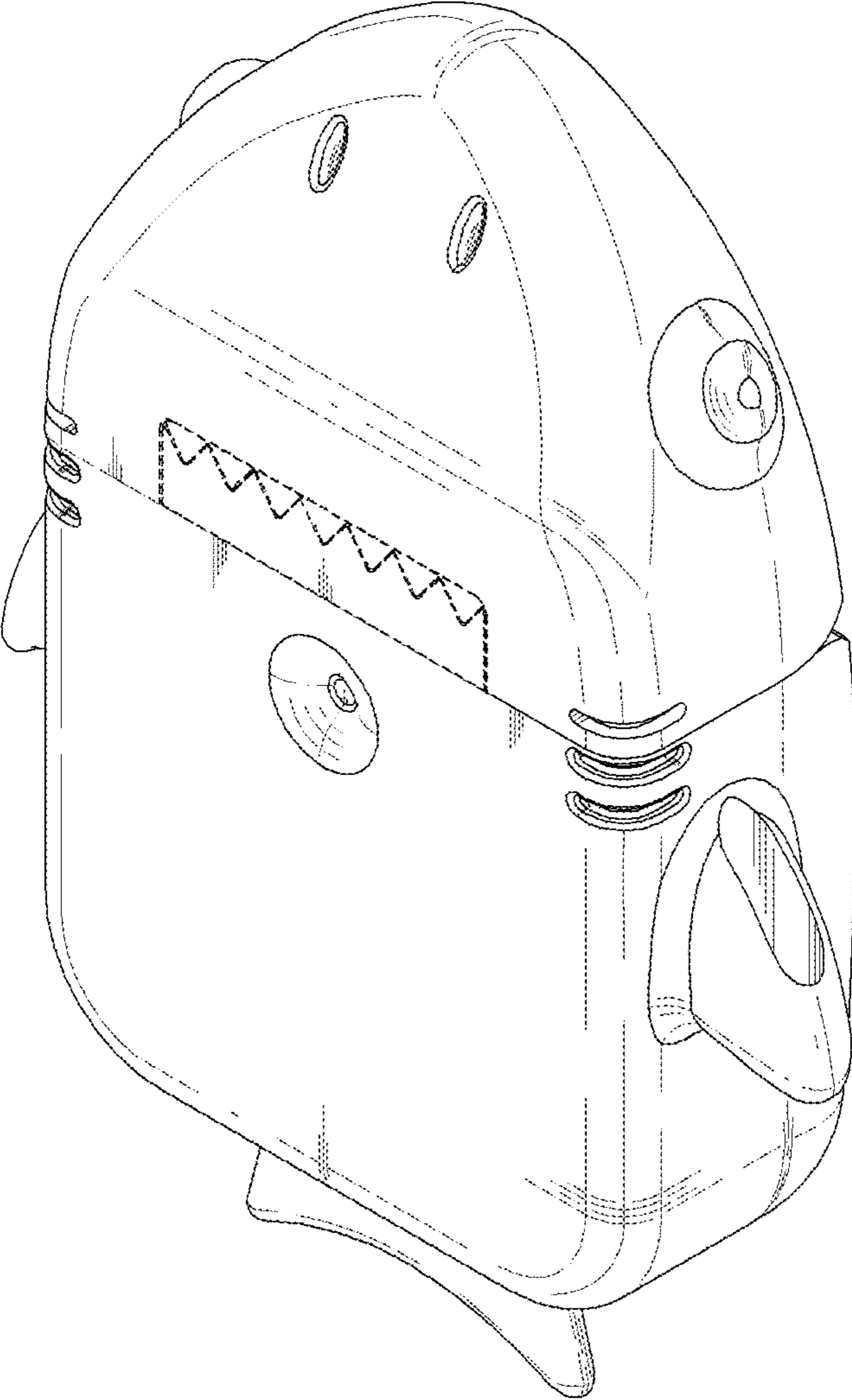


FIG. 2

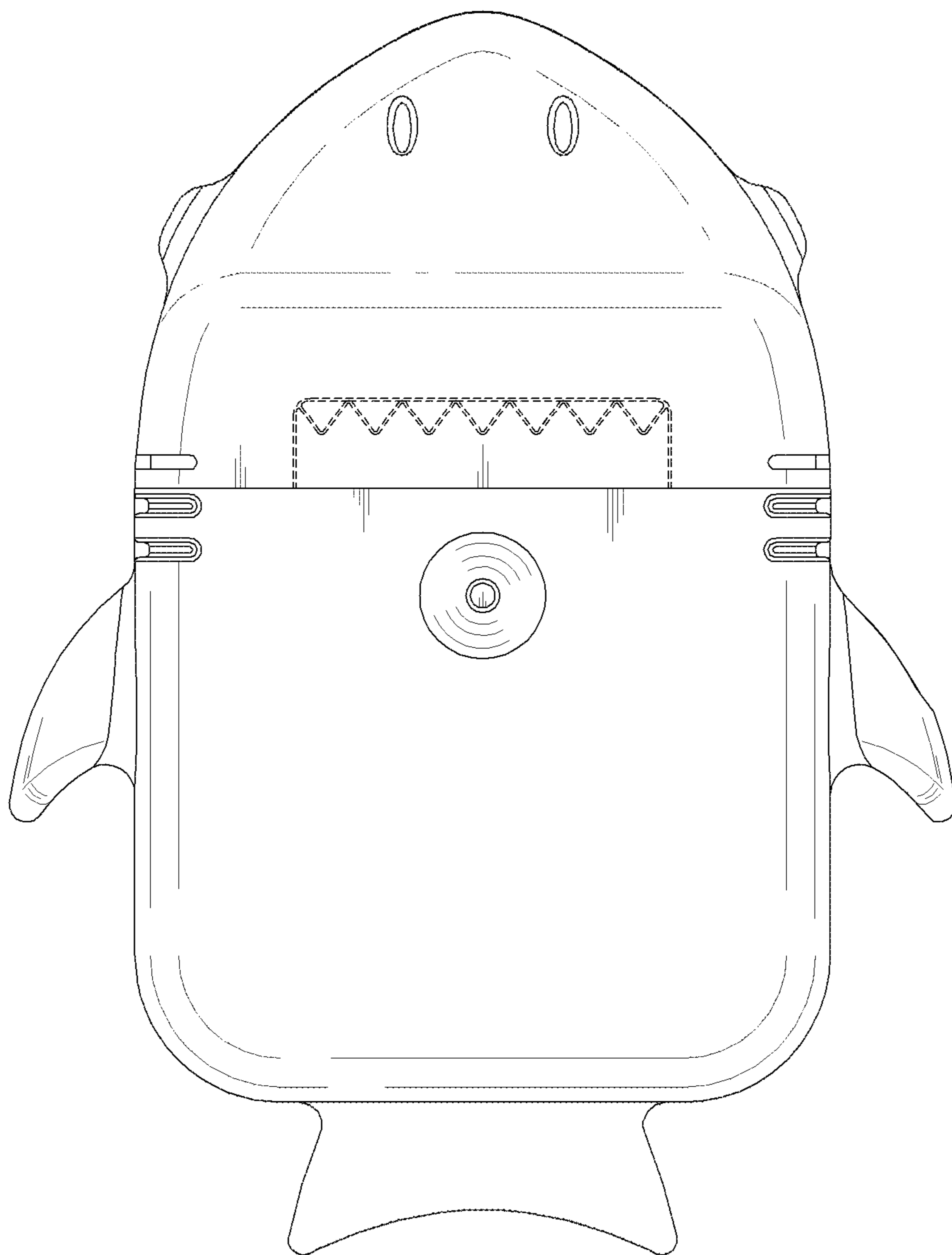


FIG. 3

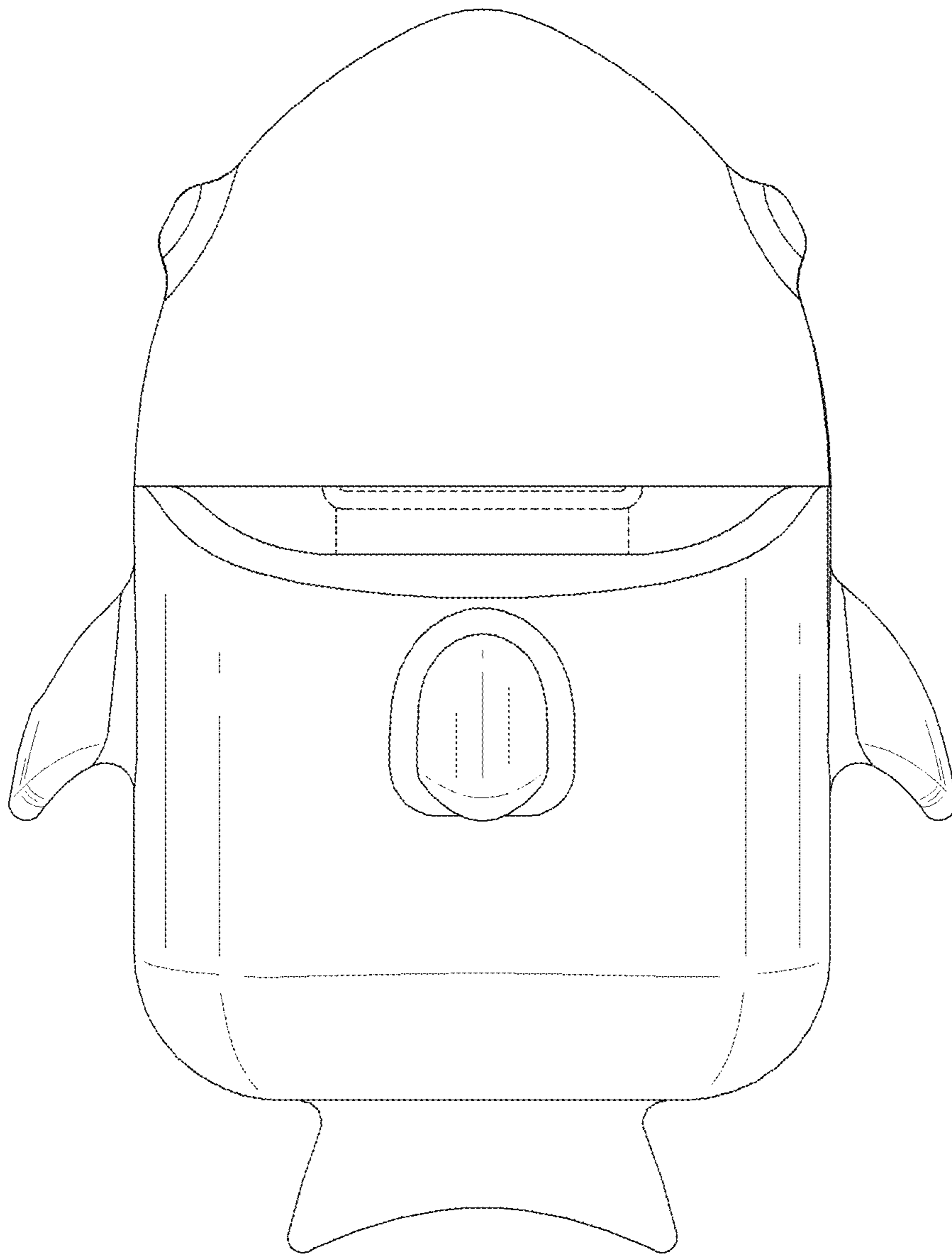


FIG. 4

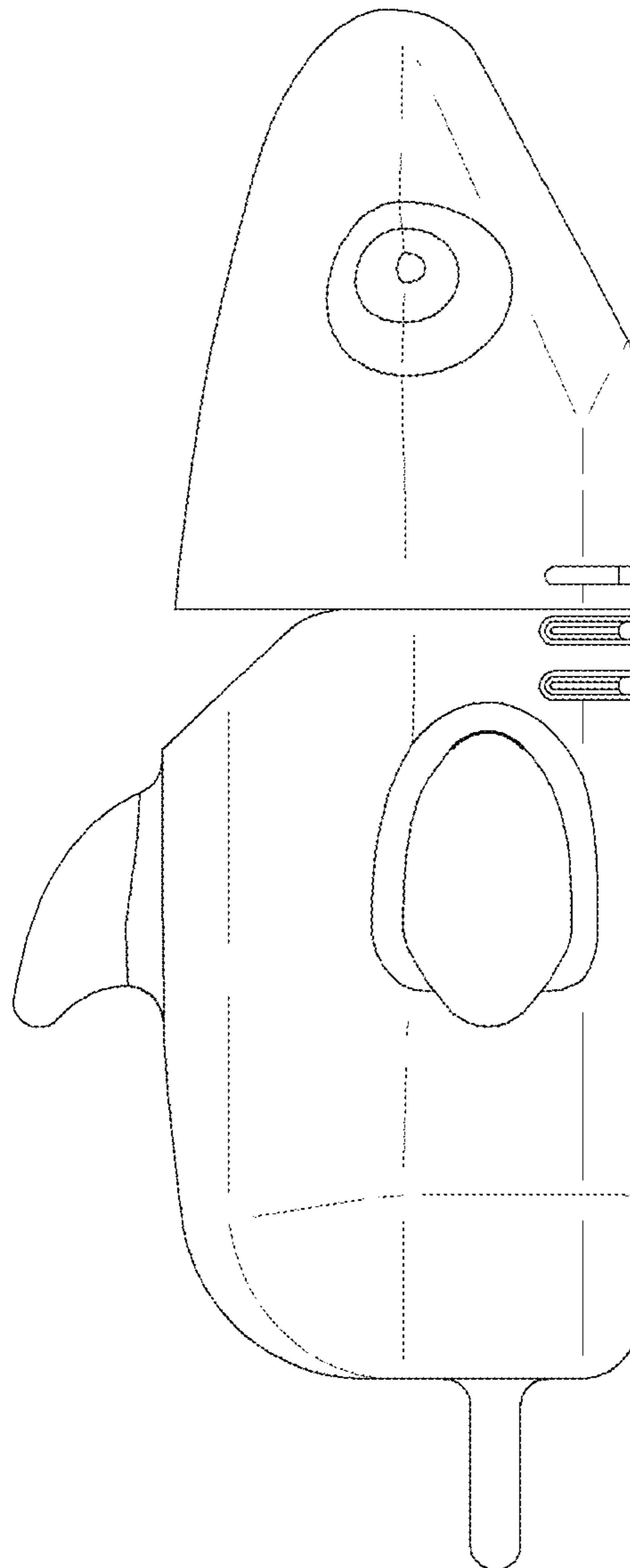


FIG. 5

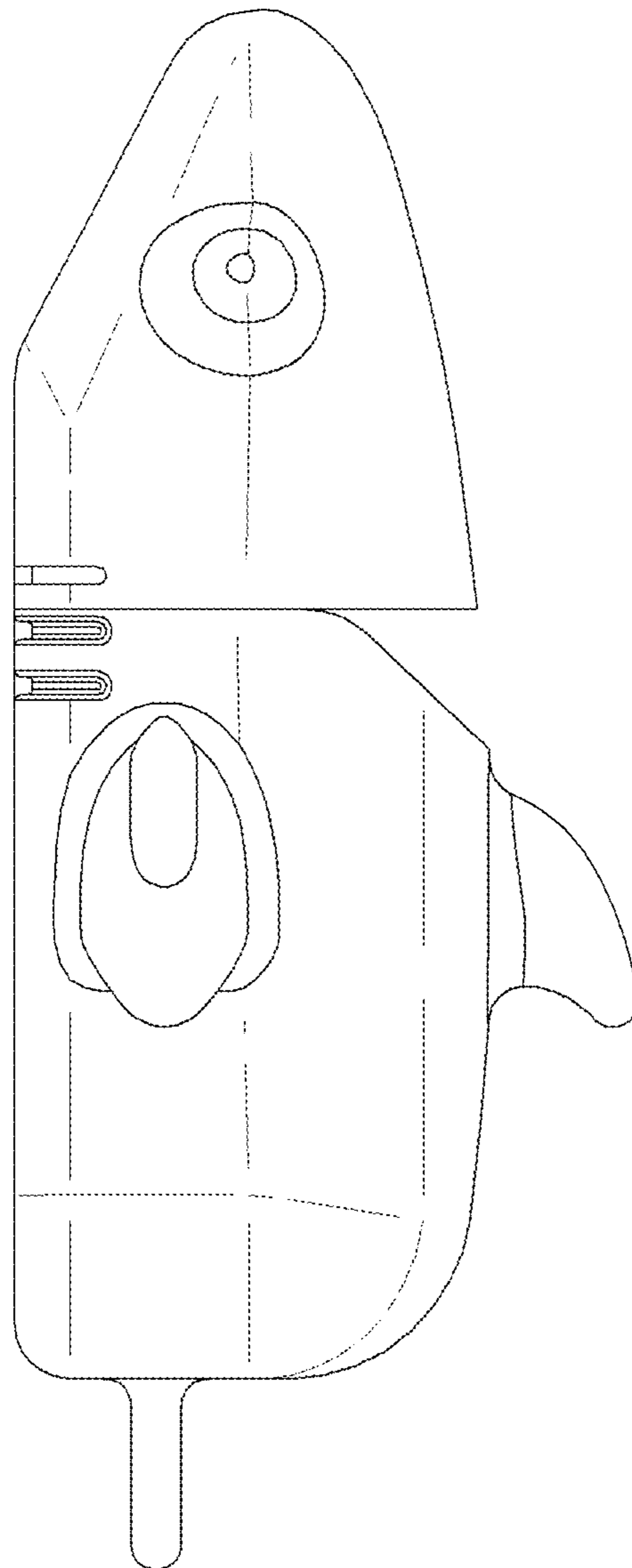


FIG. 6

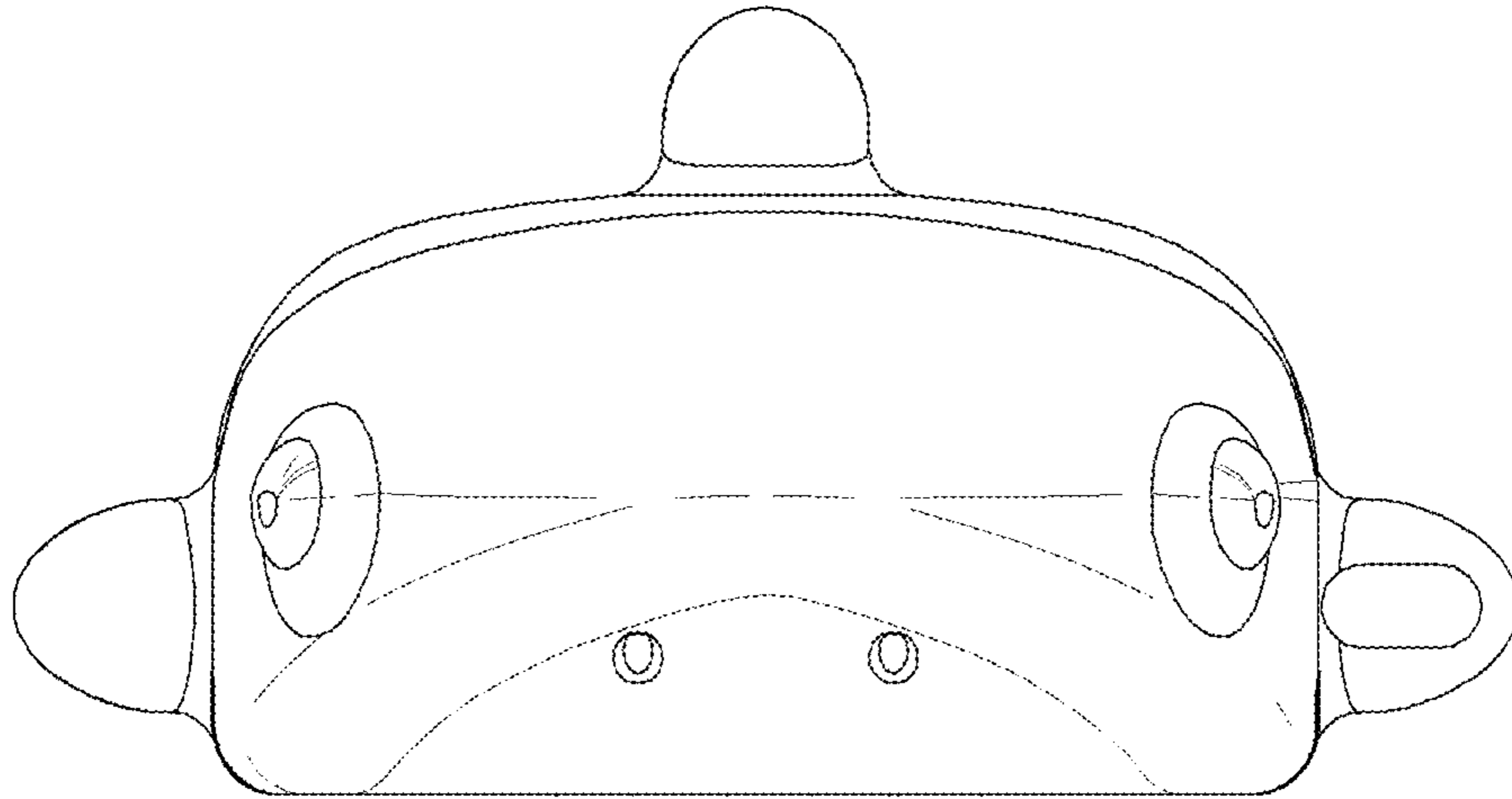


FIG. 7

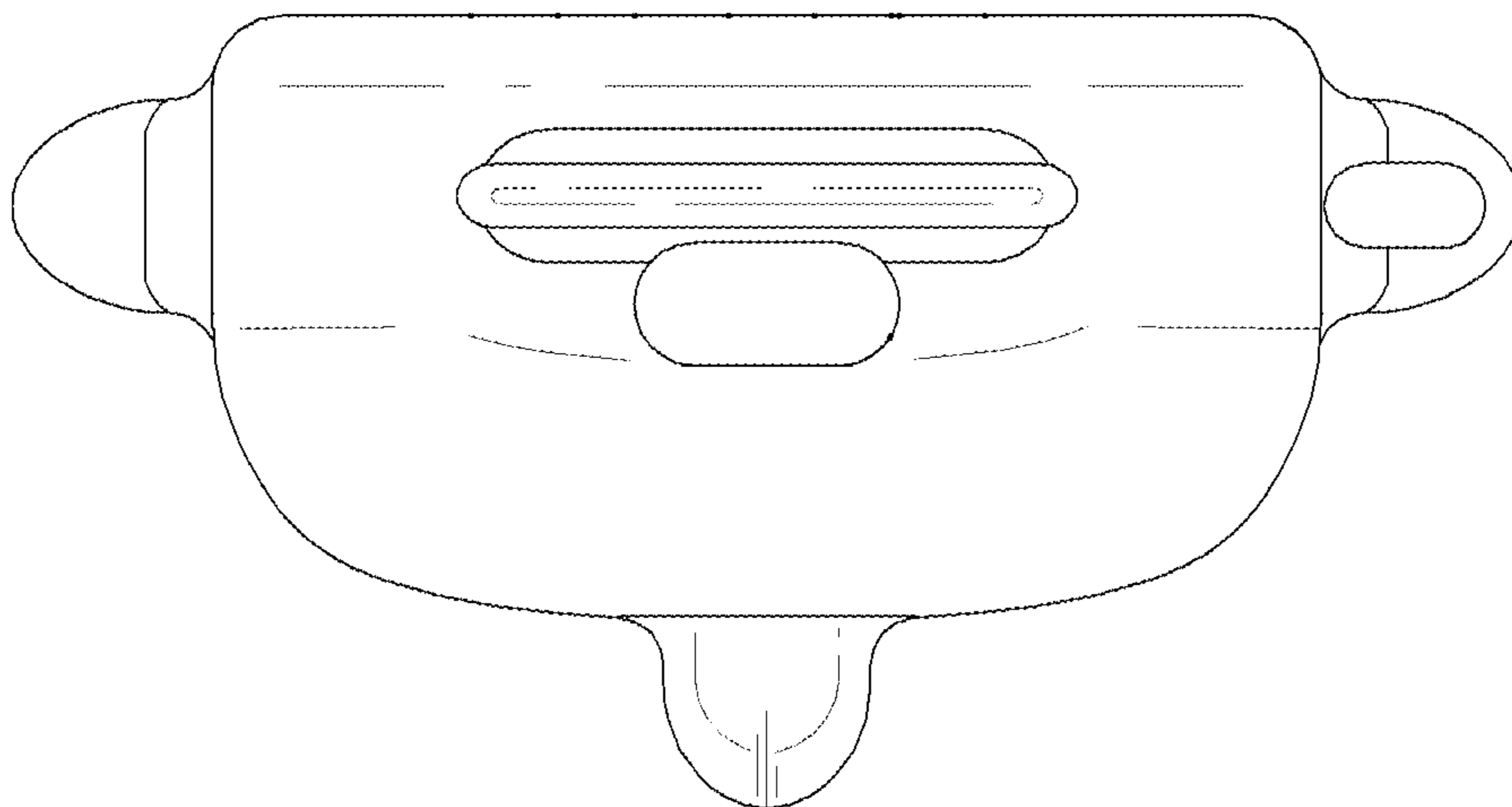


FIG. 8

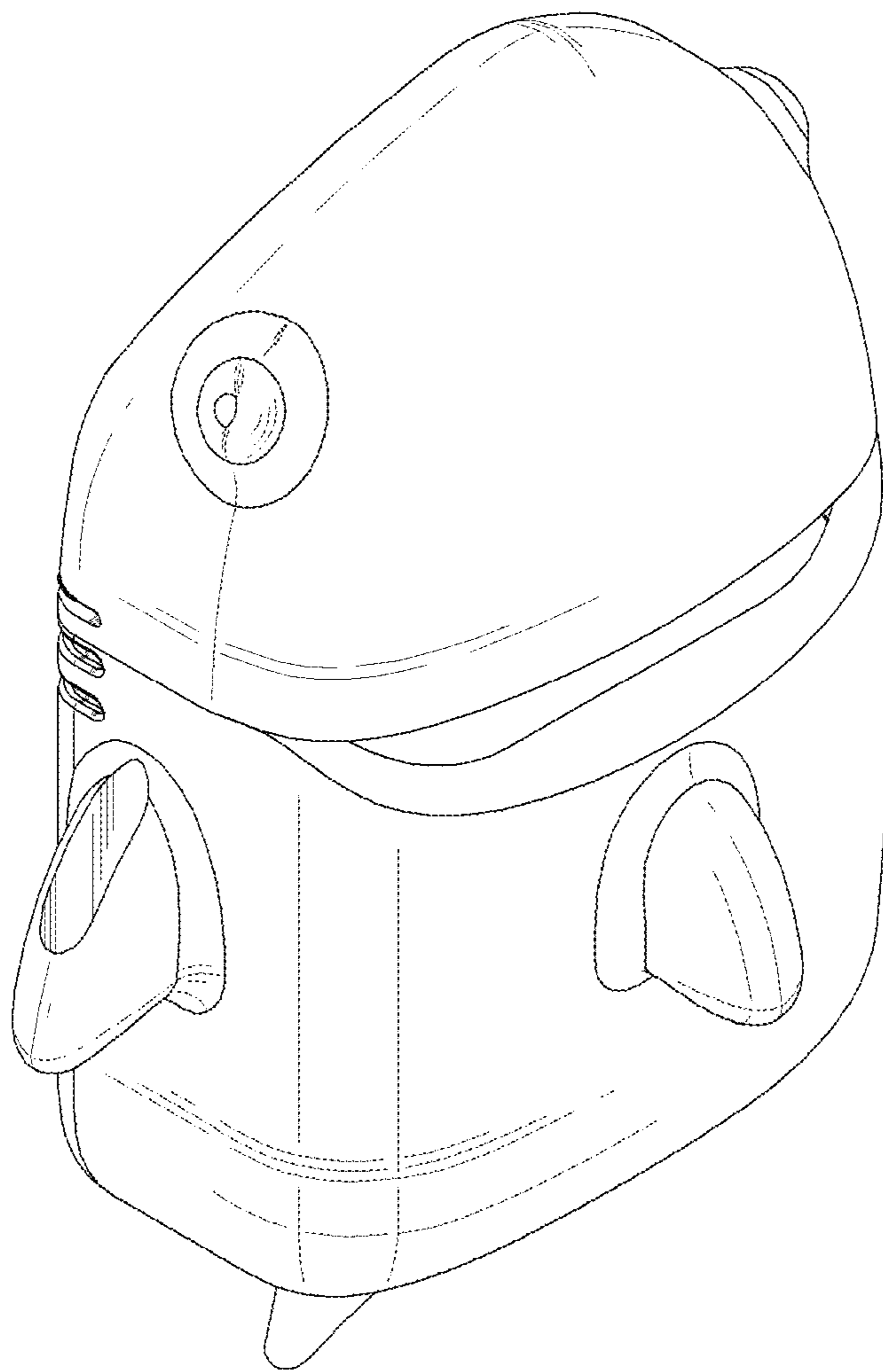


FIG. 9

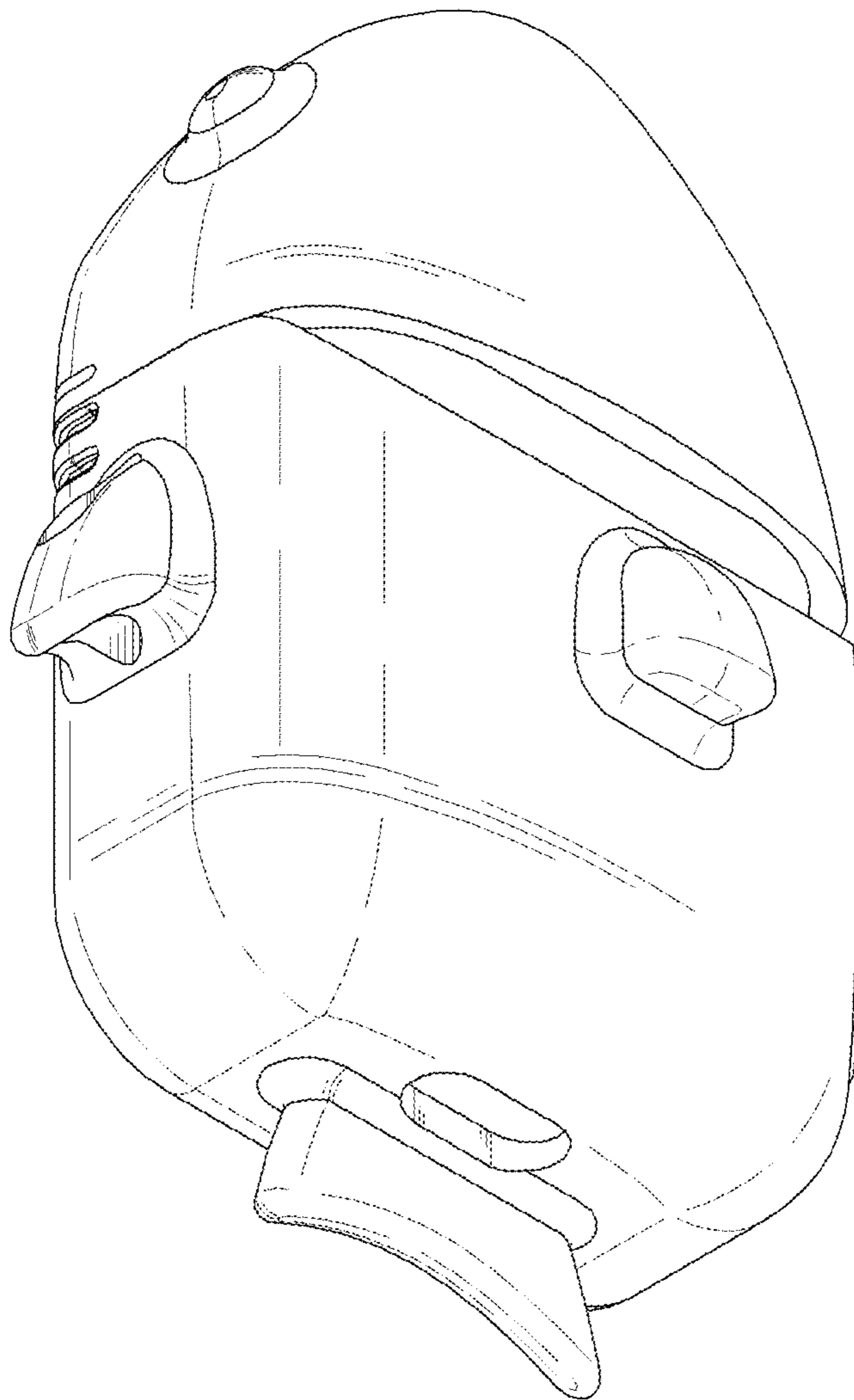


FIG. 10

