



US00D904414S

(12) **United States Design Patent** (10) **Patent No.:** **US D904,414 S**  
**Hyun** (45) **Date of Patent:** **\*\* Dec. 8, 2020**

(54) **CASE FOR TABLET COMPUTER**  
(71) Applicant: **SPIGEN KOREA CO., LTD.**, Seoul (KR)  
(72) Inventor: **Young Kwang Hyun**, Seoul (KR)  
(73) Assignee: **Spigen Korea CO., LTD.**, Seoul (KR)  
(\*\*) Term: **15 Years**

D765,642 S 9/2016 Bulkley  
D766,249 S 9/2016 Veltz et al.  
D766,885 S 9/2016 Armstrong et al.  
D766,907 S 9/2016 Veltz et al.  
D768,123 S 10/2016 Armstrong et al.  
D771,611 S 11/2016 Chang et al.  
D774,500 S 12/2016 Reese  
D780,166 S \* 2/2017 Lin ..... D14/250  
(Continued)

(21) Appl. No.: **29/714,045**  
(22) Filed: **Nov. 20, 2019**  
(51) **LOC (12) Cl.** ..... **14-02**  
(52) **U.S. Cl.**  
USPC ..... **D14/440**  
(58) **Field of Classification Search**  
USPC .... D14/440, 447, 250, 316, 455; 206/45.23,  
206/320, 45.2; 361/679.55; 294/25;  
224/218  
CPC .... G06F 1/1628; G06F 1/1626; G06F 1/1669;  
A47B 23/044; H04B 1/3888  
See application file for complete search history.

**OTHER PUBLICATIONS**

“Spigen Tough Armor iPhone SE/5S/5 Case with Extreme Heavy Duty Protection and Air Cushion Technology for iPhone SE/iPhone 5S/iPhone 5—Metal Slate”, <https://www.amazon.com/Spigen-Extreme-Protection-Cushion-Technology/dp/B00DMKGPP4>, Earliest review date of Aug. 1, 2013, Downloaded on Aug. 9, 2018.  
(Continued)

*Primary Examiner* — Cynthia R Underwood  
(74) *Attorney, Agent, or Firm* — Heedong Chae; Lucem, PC

(57) **CLAIM**

The ornamental design for a case for tablet computer, as shown and described.

**DESCRIPTION**

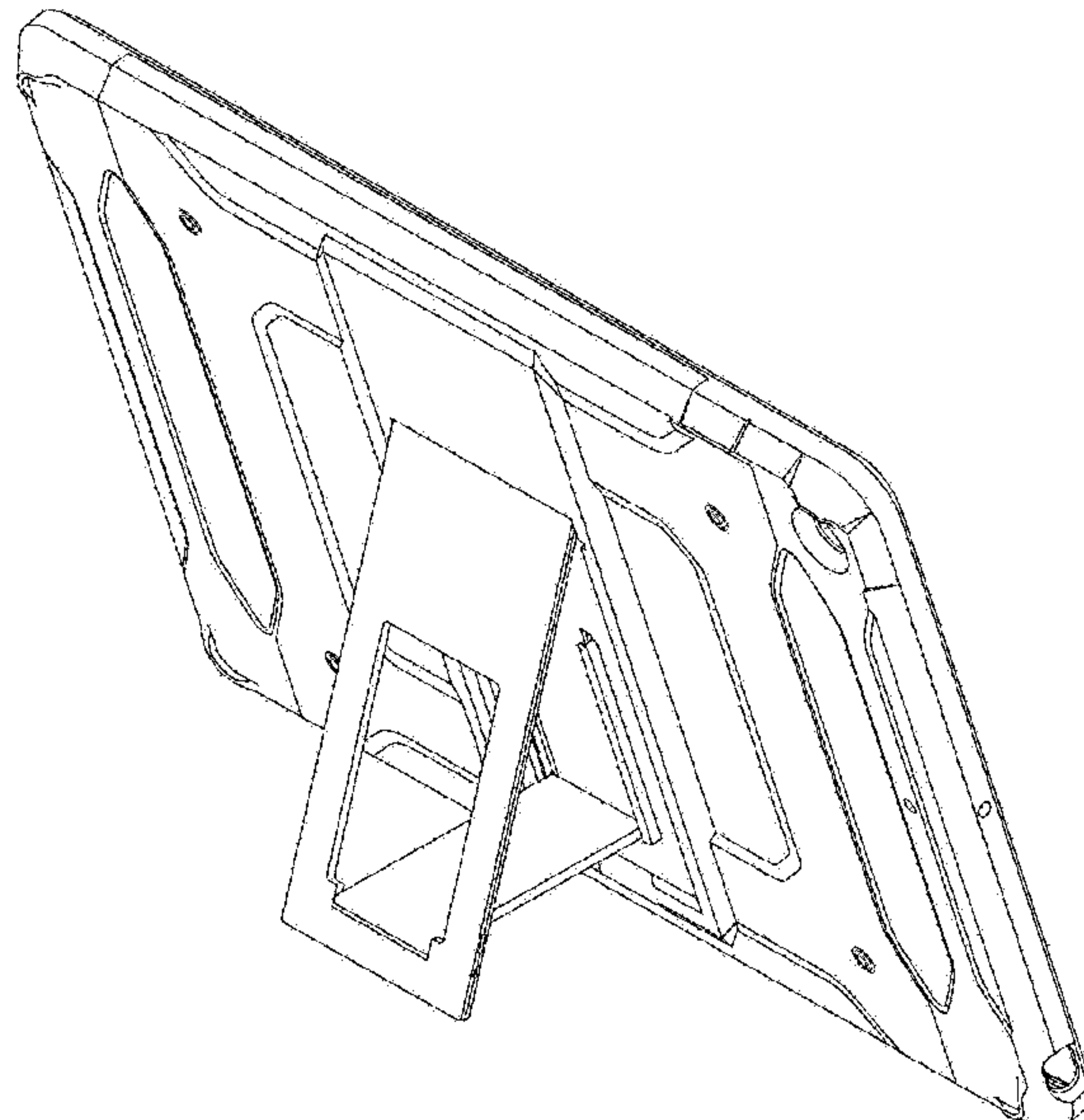
FIG. 1 is a front perspective view of a case for tablet computer showing my new design;  
FIG. 2 is a rear perspective view thereof;  
FIG. 3 is a front elevational view thereof;  
FIG. 4 is a rear elevational view thereof;  
FIG. 5 is a left side elevational view thereof;  
FIG. 6 is a right side elevational view thereof;  
FIG. 7 is a top plan view thereof;  
FIG. 8 is a bottom plan view thereof; and,  
FIG. 9 is another rear perspective view of the case with the kickstand extended.

**1 Claim, 9 Drawing Sheets**

(56) **References Cited**

**U.S. PATENT DOCUMENTS**

D671,932 S 12/2012 Azoulay  
D674,792 S 1/2013 Magness  
D716,280 S 10/2014 Macrina et al.  
D716,284 S 10/2014 Melanson et al.  
D730,343 S 5/2015 Hemesath et al.  
D733,154 S 6/2015 Armstrong et al.  
D741,845 S 10/2015 Kim  
D743,388 S 11/2015 Fitzpatrick et al.  
D745,505 S 12/2015 Barfoot et al.  
D745,506 S 12/2015 Barfoot et al.  
D747,303 S 1/2016 Su et al.  
D747,306 S 1/2016 Kim  
D763,853 S \* 8/2016 Pearce ..... D14/440  
D764,451 S 8/2016 Hung et al.  
D765,638 S 9/2016 Gaylord et al.





(56)

## References Cited

## U.S. PATENT DOCUMENTS

D783,011 S	4/2017	Fife	
D790,524 S	6/2017	Watt	
D790,525 S	6/2017	Kellogg	
D794,626 S	8/2017	Armstrong et al.	
D802,596 S	11/2017	Hannon et al.	
D807,369 S *	1/2018	Chen .....	D14/440
D808,943 S	1/2018	Kamalandua Makasi	
D811,379 S	2/2018	Armstrong et al.	
D837,219 S	1/2019	Gao	
D840,835 S	2/2019	Deng	
D840,990 S	2/2019	Kim	
D850,456 S	6/2019	Armstrong et al.	
D851,092 S	6/2019	Tan	
D851,648 S *	6/2019	Tan .....	D14/440
D851,649 S *	6/2019	Tan .....	D14/440
D852,203 S *	6/2019	Rui .....	D14/447
D868,052 S *	11/2019	Jia .....	D14/250
D868,789 S *	12/2019	Weng .....	D14/440
D868,790 S	12/2019	Weng	
D874,467 S *	2/2020	Piper .....	D14/440
D875,102 S *	2/2020	Gao .....	D14/440
2017/0045920 A1 *	2/2017	Armstrong .....	G06F 1/1669

## OTHER PUBLICATIONS

“Spigen Tough Armor Designed for Apple iPad Mini 3 Case, iPad Mini 2 Case, iPad Mini Case—Metal Slate”, <https://www.amazon.com/Spigen-Tough-Armor-Designed-Apple/dp/B00FRVDVXK>, Earliest review date of Dec. 27, 2013, Downloaded on Jan. 15, 2019.

“Spigen Tough Armor Galaxy S5 Case with Extreme Heavy Duty Protection and Air Cushion Technology for Samsung Galaxy S5 2014—Gunmetal”, <https://www.amazon.com/Spigen-Extreme-Protection-Cushion-Technology/dp/B00I3UWDV8>, Earliest review date of Mar. 9, 2014, Downloaded on Aug. 9, 2018.

“Spigen Tough Armor iPhone 6 Plus Case with Kickstand and Extreme Heavy Duty Protection and Air Cushion Technology for iPhone 6S Plus / iPhone 6 Plus—Gunmetal”, <https://www.amazon.com/dp/B00LL987W2>, Earliest review date of Jul. 8, 2014, Downloaded on Oct. 4, 2017.

“Spigen Tough Armor iPhone 6 Case with Extreme Heavy Duty Protection and Air Cushion Technology for iPhone 6S/ iPhone 6—Smooth Black”, <https://www.amazon.com/Spigen-Extreme-Protection-Cushion-Technology/dp/B00NSSX231>, Earliest review date of Aug. 14, 2014, Downloaded on Aug. 9, 2018.

“Spigen Tough Armor iPhone 6 Case with Extreme Heavy Duty Protection and Air Cushion Technology for iPhone 6S / iPhone 6—Gunmetal”, <https://www.amazon.com/Spigen-Extreme-Protection-Cushion-Technology/dp/B00LL60JU8>, Earliest review date of Sep. 10, 2014, Downloaded on Jan. 15, 2019.

“Spigen Tough Armor S iPhone 6 Case with Extreme Heavy Duty Protection and Card Kickstand Feature for iPhone 5S / iPhone 6—S Mint”, <https://www.amazon.com/Spigen-Extreme-Protection-Kickstand-Feature/dp/B00LL65B06>, Earliest review date of Sep. 18, 2014, Downloaded on Jan. 15, 2019.

“Spigen Tough Armor Galaxy Note 4 Case with Extreme Heavy Duty Protection and Air Cushion Technology for Samsung Galaxy Note 4 2014—Gunmetal”, <https://www.amazon.com/dp/B00MAWQU14>, Earliest review date of Oct. 9, 2014, Downloaded on Aug. 31, 2018.

“Spigen Tough Armor FX iPhone 6 Case with Extreme Protection and Front Built-In Screen Protector Cover for iPhone 5S / iPhone 6—Gunmetal”, <https://www.amazon.com/Spigen-iPhone-Extreme-Protection-Protector/dp/B00PR9XE5C>, Earliest review date of Jan. 8, 2015, Downloaded on Jan. 15, 2019.

“Spigen Tough Armor Galaxy S6 Edge Case with Kickstand and Extreme Heavy Duty Protection and Air Cushion Technology for Galaxy S6 Edge 2015—Gunmetal”, <https://www.amazon.com/dp/B00SV63L38>, Earliest review date of Mar. 12, 2015, Downloaded on Aug. 9, 2018.

“Spigen Tough Armor Galaxy S6 Case with Kickstand and Air Cushion Technology for Galaxy S6 2015—Gunmetal”, <https://www.amazon.com/dp/B00QU4PUKK>, Earliest review date of Mar. 23, 2015, Downloaded on Aug. 9, 2018.

Spigen Tough Armor iPhone 6S Case with Extreme Heavy Duty Protection and Air Cushion Technology for iPhone 6S/iPhone 6—Rose Gold, <https://www.amazon.com/dp/B013TKNNGK>, Earliest review date of Aug. 30, 2015, Downloaded on Aug. 8, 2018.

“Spigen Tough Armor iPhone 6S Plus Case with Kickstand and Heavy Duty Air Cushion Technology Protection for iPhone 6S Plus/iPhone 6 Plus ONLY—Gunmetal”, <https://www.amazon.com/Spigen-Kickstand-Cushion-Technology-Protection/dp/B010MVQJPQ>, Earliest review date of Sep. 9, 2015, Downloaded on Aug. 9, 2018.

“Spigen Tough Armor Galaxy S7 Edge Case with Kickstand and Extreme Heavy Duty Protection and Air Cushion Technology for Samsung Galaxy S7 Edge 2016—Gunmetal”, <https://www.amazon.com/dp/B01A7IDNWQ>, Earliest review date of Feb. 24, 2016, Downloaded on Aug. 9, 2018.

“Spigen Tough Armor Galaxy S7 Case with Extreme Heavy Duty Protection and Air Cushion Technology for Samsung Galaxy S7 2016—Gunmetal”, <https://www.amazon.com/dp/B01A7ID3PS>, Earliest review date of Feb. 25, 2016, Downloaded on Aug. 9, 2018.

“Spigen Tough Armor LG G5 Case with Reinforced Kickstand and Heavy Duty Protection and Air Cushion Technology for LG G5 (2016)—Gunmetal”, <https://www.amazon.com/dp/B01B1GQL61>, Earliest review date of Mar. 11, 2016, Downloaded on Aug. 9, 2018.

“Spigen Tough Armor iPhone SE Case with Extreme Heavy Duty Protection and Air Cushion Technology for iPhone SE 2016—Black”, <https://www.amazon.com/Spigen-Extreme-Protection-Cushion-Technology/dp/B01BEJB9XM>, Earliest review date of Apr. 7, 2016, Downloaded on Aug. 9, 2018.

“Spigen Tough Armor Heavy Duty Extreme Protection Rugged Slim Dual Layer Protective Cover Case for Apple iPhone 7—Gunmetal”, <https://www.amazon.co.uk/dp/B01GIVWY30>, Date first available at Amazon.co.uk of Aug. 2, 2016, Downloaded on Sep. 17, 2018.

“Spigen Tough Armor iPhone 7 Plus / iPhone 8 Plus Case with Extreme Heavy Duty Protection and Air Cushion Technology with Kickstand for Apple iPhone 7 Plus 2016 / iPhone 8 Plus 2017—Rose Gold”, <https://www.amazon.com/dp/B01GIWGE8A>, Earliest review date of Sep. 6, 2016, Downloaded on Aug. 9, 2018.

“Spigen Tough Armor iPhone 7 Case with Extreme Heavy Duty Protection and Air Cushion Technology for iPhone 7 2016—Black”, <https://www.amazon.com/dp/B01GIVX301>, Earliest review date of Sep. 9, 2016, Downloaded on Aug. 9, 2018.

“Spigen Tough Armor iPhone 7 Case with Jet Black Optimized Color and Extreme Heavy Duty Protection and Air cushion Technology for iPhone 7 2016—Jet Black”, <https://www.amazon.com/Spigen-Optimized-Extreme-Protection-Technology/dp/B01LRSFLFM>, Earliest review date of Sep. 25, 2016, Downloaded on Aug. 9, 2018.

“Spigen Tough Armor Google Pixel Case with Kickstand and Heavy Duty Air Cushion Technology Protection for Google Pixel 2016—Black”, <https://www.amazon.com/Spigen-Kickstand-Cushion-Technology-Protection/dp/B01M12Z4PY>, Earliest review date of Oct. 20, 2016, Downloaded on Aug. 9, 2018.

“Spigen Tough Armor Google Pixel XL Case with Kickstand and Heavy Duty Air Cushion Technology Protection for Google Pixel XL 2016 - Gunmetal”, <https://www.amazon.com/Spigen-Kickstand-Cushion-Technology-Protection/dp/B01LZGCH6E>, Earliest review date of Oct. 21, 2016, Downloaded on Aug. 9, 2018.

“Spigen Tough Armor LG V20 Case with Kickstand and Extreme Heavy Duty Protection and Air Cushion Technology for LG V20—Gunmetal”, <https://www.amazon.com/Spigen-Kickstand-Extreme-Protection-Technology/dp/B01M9F154B>, Earliest review date of Dec. 2, 2016, Downloaded on Aug. 9, 2018.

“Spigen Tough Armor Designed for Apple Watch Case for 42mm Series 3 / Series 2/1 / Original (2015) / Nike+ Sport Edition and Built in Screen Protector—Gunmetal”, <https://www.amazon.com/dp/B01N74P26H>, Earliest review date of Jan. 4, 2017, Downloaded on Jan. 15, 2019.

“Spigen Tough Armor LG G6 Case with Extreme Heavy Duty Protection and Air Cushion Technology for LG G6 (2017)—Black”,



(56)

**References Cited**

## OTHER PUBLICATIONS

<https://www.amazon.com/dp/B01MR8C4RY>, Earliest review date of Mar. 26, 2017, Downloaded on Aug. 9, 2018.

“Spigen Tough Armor Galaxy S8 Plus Case with Reinforced Kickstand and Heavy Duty Protection and Air Cushion Technology for Samsung Galaxy S8 Plus (2017)—Black”, <https://www.amazon.com/dp/B06XP4FP8N>, Earliest review late of Apr. 8, 2017, Downloaded on Aug. 9, 2018.

“Spigen Tough Armor Galaxy S8 Case with Kickstand and Extreme Heavy Duty Protection and Air Cushion Technology for Samsung Galaxy S8 (2017)—Black”, <http://www.amazon.com/dp/B0716CZ3Z1>, Earliest review date of Apr. 9, 2017, downloaded on Aug. 9, 2018.

“Spigen Tough Armor [2nd Generation] iPhone 8 Plus Case/iPhone 7 Plus Case with Kickstand Air Cushion Technology for Apple iPhone 8 Plus (2017) / iPhone 7 Plus (2016)—Black”, <http://www.amazon.com/dp/B07482KRLP>, Earliest review date of Aug. 18, 2017, downloaded on Jan. 15, 2019.

“Spigen Tough Armor [2nd Generation] iPhone 8 Plus Case/iPhone 7 Plus Case with Kickstand Air Cushion Technology for Apple iPhone 8 Plus (2017)/iPhone 7 Plus (2016)—Rose Gold”, <http://www.amazon.com/dp/B074826HMD>, Earliest review date of Aug. 18, 2017, downloaded on Aug. 9, 2018.

“Spigen Tough Armor Galaxy Note 8 Case with Kickstand and Extreme Heavy Duty Protection and Air Cushion Technology for Galaxy Note 8 (2017)—Orchid Gray”, <http://www.amazon.com/dp/B073R7MND3>, Earliest review date of Aug. 26, 2017, downloaded on Aug. 9, 2018.

“Spigen Tough Armor [2nd Generation] iPhone 8 Case/iPhone 7 Case with Kickstand and Heavy Duty Protection and Air Cushion Technology for Apple iPhone 8 (2017)/iPhone 7 (2016)—Gunmetal”, <http://www.amazon.com/dp/B07482KVD3>, Earliest review date of Sep. 2, 2017, downloaded on Aug. 9, 2018.

“Spigen Tough Armor LG V30 Case with Kickstand and Heavy Duty Protection for LG V30 (2017)—Black”, <http://www.amazon.com/dp/B071WS1TYG>, Earliest review date of Sep. 8, 2017, downloaded on Aug. 9, 2018.

“Spigen Tough Armor Galaxy S8 Active Case with Kickstand and Extreme Heavy Duty Protection and Air Cushion Technology for Galaxy S8 Active (2017)—Gunmetal”, <http://www.amazon.com/dp/B0746PT25T>, Earliest review date of Sep. 15, 2017, downloaded on Aug. 9, 2018.

“Spigen Tough Armor Designed for Apple iPhone X Case (2018) / Designed for Apple iPhone X Case (2017)—Matte Black”, <http://www.amazon.com/dp/B074CMT7HV>, Earliest review date of Sep. 27, 2017, downloaded on Jan. 15, 2019.

“Spigen Tough Armor Designed for Apple iPad Pro 10.5 Case (2017)—Black”, <http://www.amazon.com/dp/B0751GFB8X>, Earliest review date of Oct. 11, 2017, downloaded on Jan. 15, 2019.

“Spigen Tough Armor Designed for Apple iPad 9.7 Case iPad Case (2017/2018)—Black”, <http://www.amazon.com/dp/B072F7DGMJ>, Earliest review date of Oct. 23, 2017, downloaded on Jan. 15, 2019.

“Spigen Tough Armor Google Pixel 2 Case with Kickstand and Extreme Heavy Duty Protection and Air Cushion Technology for Google Pixel 2 (2017)—Gunmetal”, <http://www.amazon.com/dp/B0747523HC>, Earliest review date of Oct. 28, 2017, downloaded on Aug. 9, 2018.

“Spigen Tough Armor Google Pixel 2 XL Case with Kickstand and Extreme Heavy Duty Protection and Air Cushion Technology for Google Pixel 2 XL (2017)—Black”, <http://www.amazon.com/dp/B07477LL8Q>, Earliest review date of Oct. 29, 2017, downloaded on Aug. 9, 2018.

“Spigen Tough Armor Moto Z2 Force Case with Kickstand and Extreme Heavy Duty Protection and Air Cushion Technology for Moto Z2 Force (2017)—Gunmetal”, <http://www.amazon.com/dp/B074PB5HQ1>, Earliest review date of Nov. 21, 2017, downloaded on Aug. 9, 2018.

“Spigen Tough Armor TECH Designed for Apple iPad 9/ Case iPad Case (2017/2018)—Black”, <http://www.amazon.com/dp/B078FGC17H>, Earliest review date of Feb. 18, 2018, downloaded on Jan. 15, 2019.

“Spigen Tough Armor Galaxy S9 Plus Case with Reinforced Kickstand and Heavy Duty Protection and Air Cushion Technology for Samsung Galaxy S9 Plus (2018)—Lilac Purple”, <http://www.amazon.com/dp/B078BBPY98>, Earliest review date of Mar. 1, 2018, downloaded on Jan. 15, 2019.

“Spigen Tough Armor Galaxy S9 Case with Reinforced Kickstand and Heavy Duty Protection and Air Cushion Technology for Samsung Galaxy S9 (2018)—Graphite Gray”, <http://www.amazon.com/dp/B078B3K513>, Earliest review late of Mar. 10, 2018, downloaded on Jan. 16, 2019.

“Spigen Tough Armor Galaxy S9 Case with Reinforced Kickstand and Heavy Duty Protection and Air Cushion Technology for Samsung Galaxy S9 (2018)—Graphite Gray”, <http://www.amazon.com/dp/B078B3K513>, Earliest review late of Mar. 10, 2018, downloaded on Aug. 9, 2018.

“Spigen Tough Armor LG G7 Case/LG G7 ThinQ Case with Reinforced Kickstand and Heavy Duty Protection and Air cushion Technology for LG G7 ThinQ (2018)—Gunmetal”, <https://www.amazon.com/Spigen-Reinforced-Kickstand-Protection-Technology/dp/B078MVT4YD>, Earliest review date of Jun. 1, 2018, downloaded on Aug. 9, 2018.

“Spigen Tough Armor Moto G6 Case with Reinforced Kickstand and Heavy Duty Protection and Air Cushion Technology for Motorola Moto G6 (2018)—Metal Slate”, <https://www.amazon.com/Spigen-Reinforced-Kickstand-Protection-Technology/dp/B07D2YP2QZ>, Earliest review date of Aug. 5, 2018, downloaded on Aug. 9, 2018.

“Spigen Tough Armor Galaxy Note 9 Case with Kickstand and Extreme Heavy Duty Protection and Air Cushion Technology for Samsung Galaxy Note 9 (2018)—Ocean Blue”, <https://www.amazon.com/Spigen-Kickstand-Extreme-Protection-Technology/dp/B07FN5D7T8>, Earliest review date of Aug. 10, 2018, downloaded on Jun. 15, 2019.

“Spigen Tough Armor Designed for Apple iPhone Xs Max Case (2018)—Gunmetal”, <https://www.amazon.com/dp/B07GTCMF8X/>, Earliest review date of Sep. 15, 2018, downloaded on Jan. 15, 2019.

“Spigen Tough Armor Designed for Google Pixel 3 XL Case (2018)—Black”, <https://www.amazon.com/Spigen-Tough-Armor-Designed-Google/dp/B07H5SKSPM>, Earliest review date of Oct. 10, 2018, Downloaded on Jan. 15, 2019.

“Spigen Tough Armor Designed for Google Pixel 3 Case (2018)—Black”, <https://www.amazon.com/Spigen-Tough-Armor-Designed-Google/dp/B07H5QBRPV>, Earliest review date of Oct. 17, 2018, Downloaded on Jan. 15, 2019.

“Spigen Tough Armor Designed for Apple iPhone XR Case (2018)—Blue”, <https://www.amazon.com/Spigen-Tough-Armor-Designed-iPhone/dp/B07HQGYMVH>, Earliest review date of Oct. 19, 2018, Downloaded on Oct. 2, 2019.

“Spigen Tough Armor Designed for Apple iPhone XR Case (2018)—Gunmetal”, <https://www.amazon.com/Spigen-Tough-Armor-Designed-iPhone/dp/B07GHYQJJB/>, Earliest review date of Oct. 19, 2018, Downloaded on Jan. 15, 2019.

“Spigen Tough Armor Designed for LG V40 ThinQ Case (2018)—Rose Gold”, <https://www.amazon.com/Spigen-Tough-Armor-Designed-ThinQ/dp/B07GQ9NFNZ>, Earliest review date of Oct. 25, 2018, Downloaded on Jan. 15, 2019.

“Spigen Tough Armor Designed for Apple Watch Case for 44mm Series 4 (2018)—Black”, <https://www.amazon.com/Spigen-Tough-Armor-Designed-Apple/dp/B07HT7N88N/>, Earliest review date of Nov. 11, 2018, Downloaded on Jan. 15, 2019.

“Urban Armor Gear Uag Microsoft Surface Pro 7/Pro 6/Pro 5th Gen (2017)/Pro 4 Metropolis Feather-Light Rugged [Black] Military Drop Tested Case”, <https://www.amazon.com/dp/B016ATD480>, Earliest review date of Oct. 27, 2015, Downloaded on Jun. 19, 2020.

“SupCase Unicorn Beetle Pro Series Case Designed for iPhone SE 2nd generation/iPhone 8 /iPhone 7, Full-body Rugged Holster Case with Built-in Screen Protector for Apple iPhone SE (2020 Release) (Black)”, <https://www.amazon.com/dp/B01K1Q0J2K>, Earliest review date of Sep. 11, 2016, Downloaded on Jun. 18, 2020.

(56)

**References Cited**

OTHER PUBLICATIONS

“Urban Armor Gear UAG MacBook Pro 13-inch (4th Gen, 2016-2019) Feather-Light Rugged Ice Military Drop Tested Laptop Case”, <https://www.amazon.com/dp/B01N2WB024/>, Earliest review date of Mar. 22, 2017, Downloaded on Jun. 18, 2020.

“Urban Armor Gear Uag iPad (2017, 91-inch Folio Case Metropolis [Black] Feather-Light Rugged Military Drop Tested Cover”, <https://www.amazon.com/dp/B0716CLKPN/>, Earliest review date of May 27, 2017, Downloaded on Jun. 18, 2020.

“UAG Folio iPad Pro 105-inch Metropolis Feather-Light Rugged [Black] Military Drop Tested iPad Case”, <https://www.amazon.com/dp/B072KJ24CL>, Earliest review date of Jul. 10, 2017, Downloaded on Jun. 18, 2020.

“Urban Armor Gear FBA\_IPDP12G2-E-BK UAG Folio iPad Pro 12.9-inch (2017) Metropolis Feather-Light Rugged [Black] Military Drop Tested iPad Case”, <https://www.amazon.com/dp/B072N3T6GL/>, Earliest review date of Jul. 12, 2017, Downloaded on Jun. 18, 2020.

“Spigen Tough Armor Tech with Custom-Fit Tempered Glass Designed for iPad 9.7 Case iPad Case (2017/2018)—Black”, <https://www.amazon.com/dp/B078FGC17H>, Earliest review date of Feb. 18, 2018, Downloaded on Jun. 18, 2020.

\* cited by examiner



FIG. 1

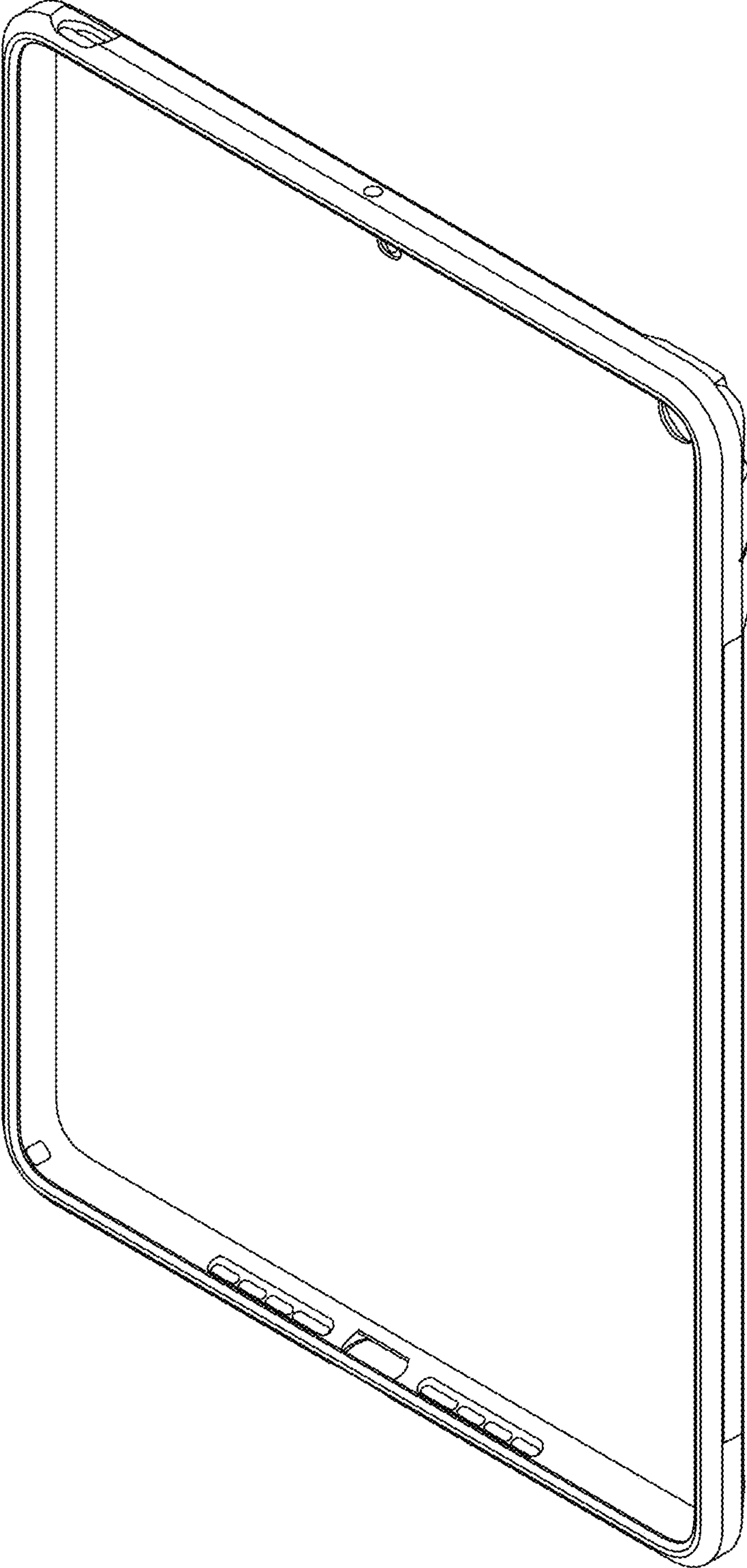


FIG. 2

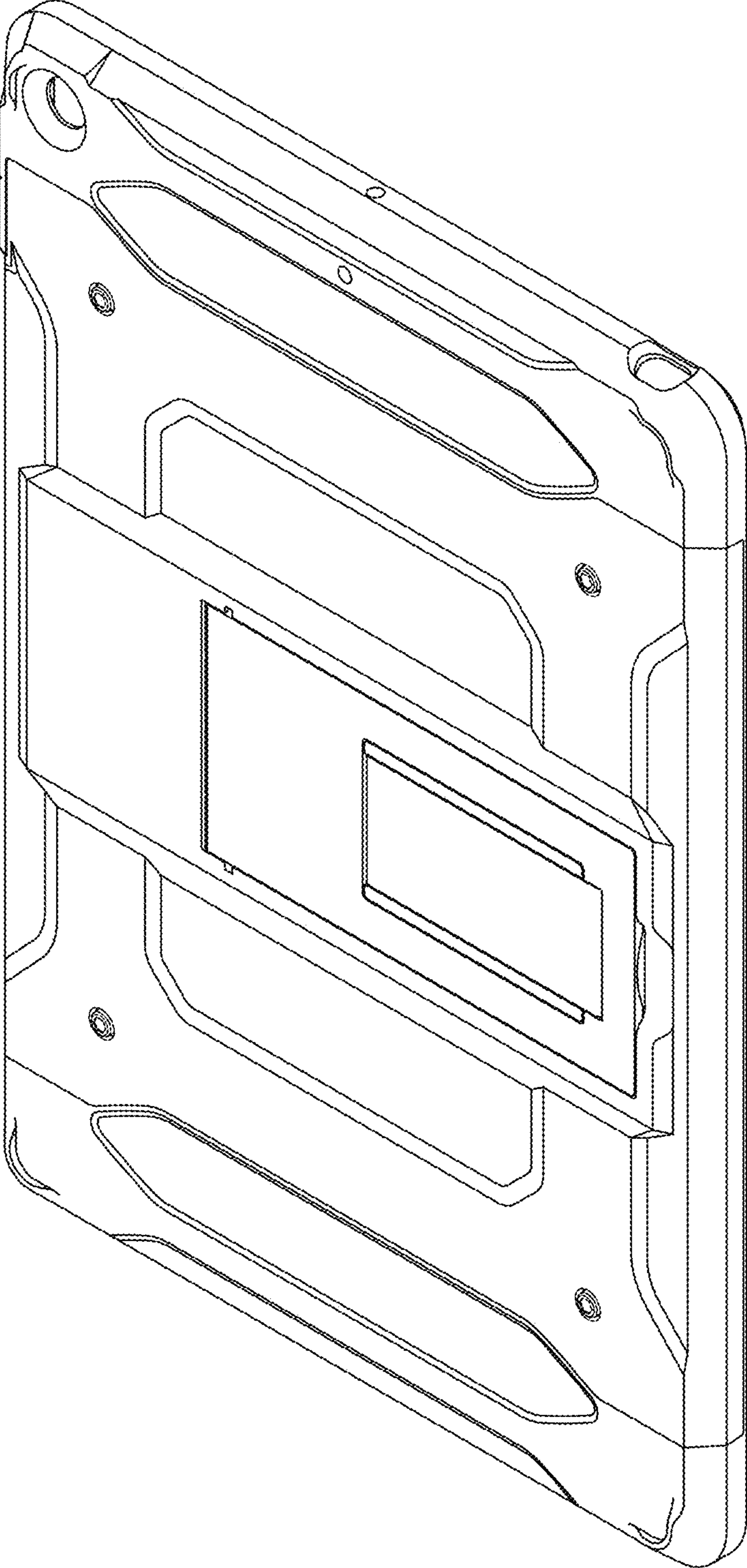


FIG. 3

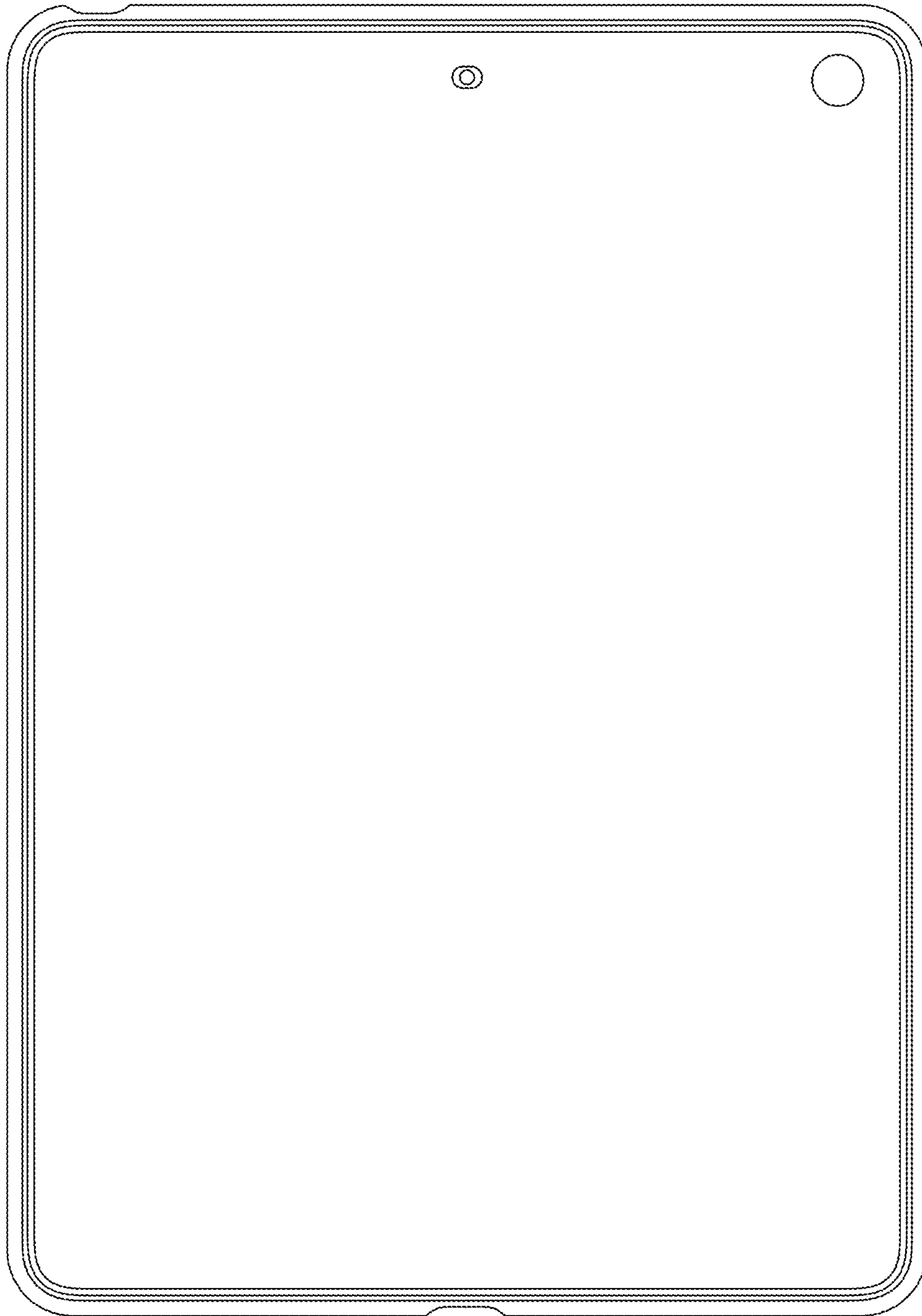


FIG. 4

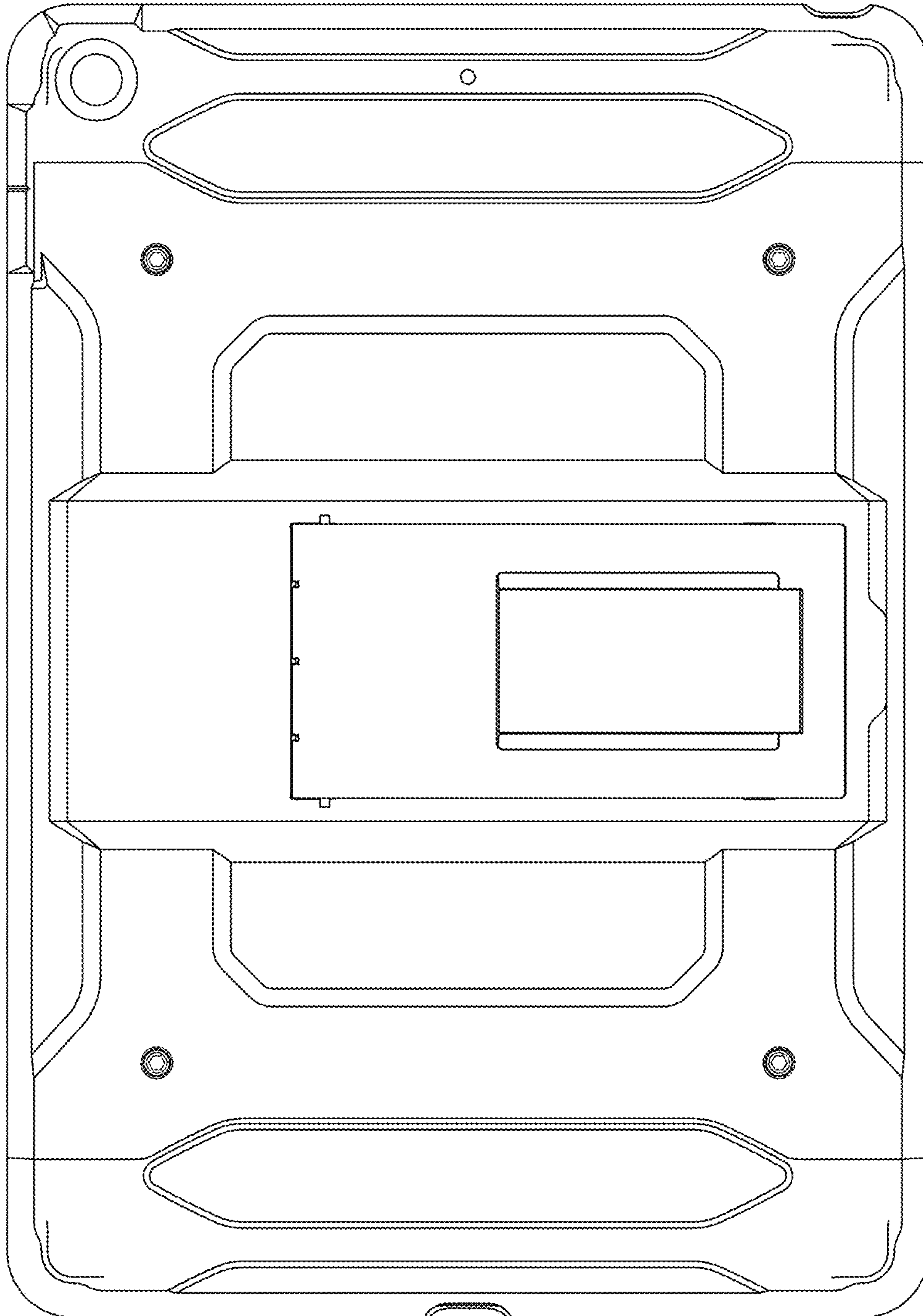




FIG. 5

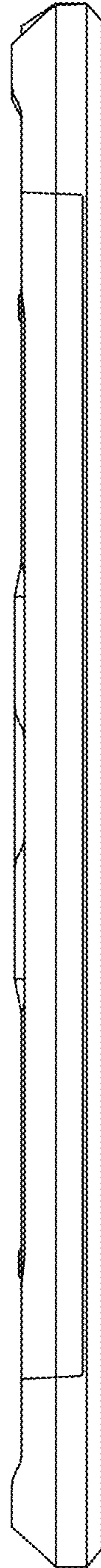


FIG. 6

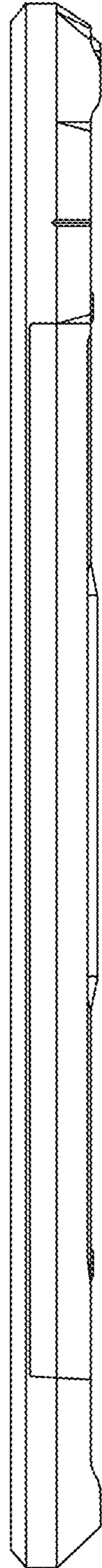




FIG. 7

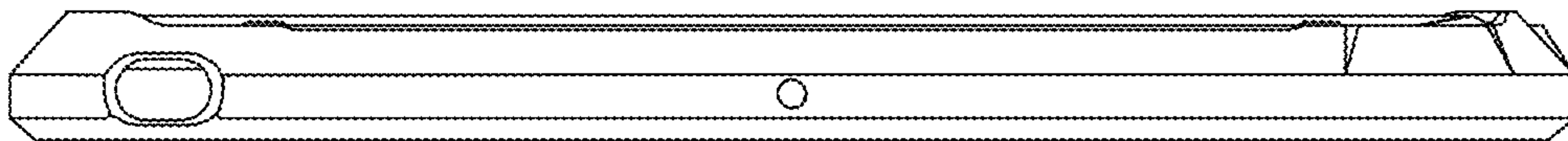


FIG. 8

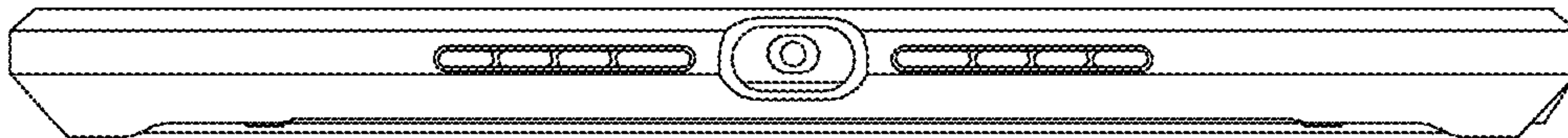




FIG. 9

