



US00D904413S

(12) **United States Design Patent**  
**Feng**

(10) **Patent No.:** **US D904,413 S**

(45) **Date of Patent:** **\*\* Dec. 8, 2020**

(54) **TABLET CASE**

(71) Applicant: **GUANGZHOU WENYI COMMUNICATION EQUIPMENT CO., LTD**, Guangzhou (CN)

(72) Inventor: **YouRu Feng**, Guangzhou (CN)

(73) Assignee: **GUANGZHOU WENYI COMMUNICATION EQUIPMENT CO., LTD**, Guangzhou (CN)

(\*\*) Term: **15 Years**

(21) Appl. No.: **29/704,114**

(22) Filed: **Sep. 2, 2019**

(51) **LOC (12) Cl.** ..... **14-02**

(52) **U.S. Cl.**  
USPC ..... **D14/440**

(58) **Field of Classification Search**  
USPC .... D14/217, 238.1, 240, 248, 250, 251–253, D14/439, 440, 447; D13/107–108, 103, D13/119; D3/201, 218, 247, 269, 273, D3/301, 303, 249  
CPC ..... H04B 1/3888; H04M 1/0283; H04M 1/0202; A45C 1/06; A45C 11/00; A45C 13/02; A45C 2011/002; A45F 2005/026; A45F 2200/0525; A45F 2200/0516  
See application file for complete search history.

(56) **References Cited**

**U.S. PATENT DOCUMENTS**

D678,260 S *	3/2013	Bau	.....	D14/250
D727,916 S *	4/2015	Melmon	.....	D14/440
D733,150 S *	6/2015	Sirichai	.....	D14/440
D748,097 S *	1/2016	Feng	.....	D14/440
D845,305 S *	4/2019	Xu	.....	D14/440
D855,615 S *	8/2019	Feng	.....	D14/432
D874,466 S *	2/2020	Lei	.....	D14/440
D886,108 S *	6/2020	Zhu	.....	D14/440

D887,415 S *	6/2020	Claudepierre	.....	D14/440
D890,183 S *	7/2020	Zhao	.....	D14/440
D892,805 S *	8/2020	Piper	.....	D14/440

(Continued)

**OTHER PUBLICATIONS**

“ZUGU Case—2017/2015 iPad Pro 12.9 inch (Old Model) 1st & 2nd Gen Case Prodigy X [. . .]” [online]. ZUGU Case. [Product available as early as Feb. 7, 2017 . Retrieved from the Internet: <<https://www.amazon.com/dp/B075MVLG99/>>.\*

*Primary Examiner* — Mojtaba Tehrani

(74) *Attorney, Agent, or Firm* — Zhihua Han; Wen IP LLC

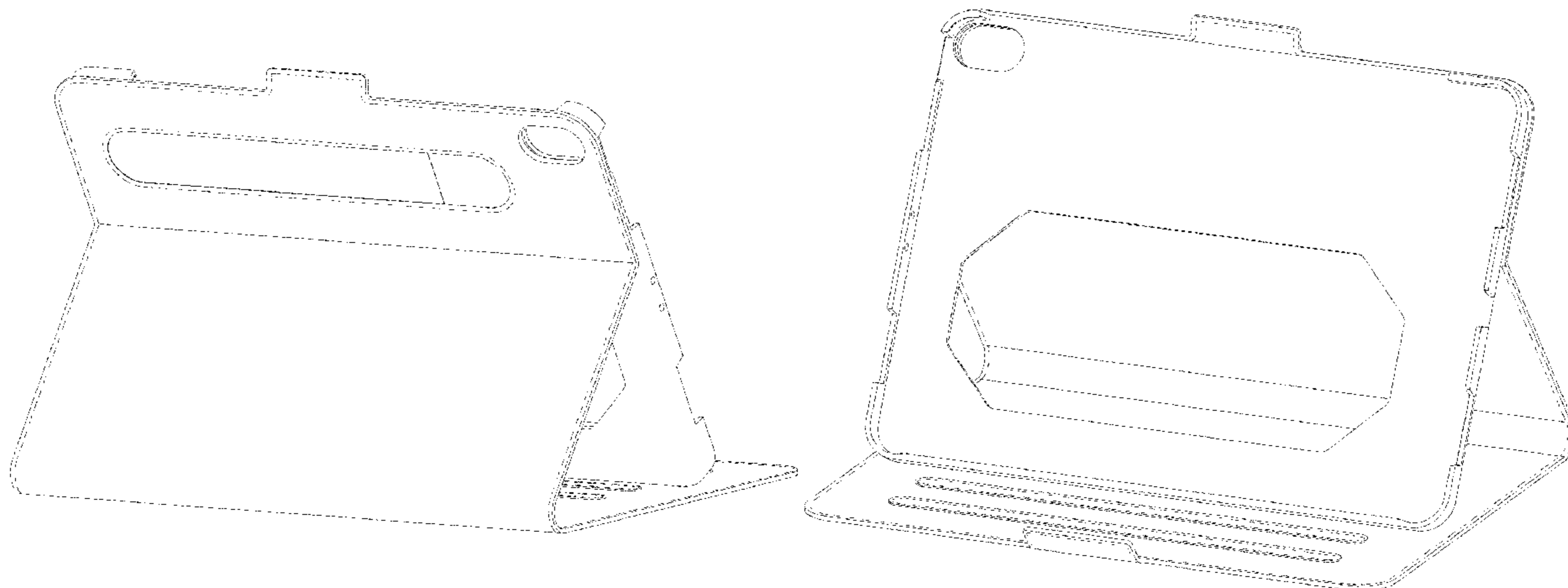
(57) **CLAIM**

The ornamental design for a tablet case, as shown and described.

**DESCRIPTION**

FIG. 1 is a perspective view of a tablet case, showing my new design;  
FIG. 2 is another prospective view thereof, at the open position;  
FIG. 3 is another prospective view thereof, at the open position;  
FIG. 4 is a front elevational view thereof, at a closed position;  
FIG. 5 is rear elevational view thereof, at the closed position;  
FIG. 6 is a left side elevational view thereof, at the closed position;  
FIG. 7 is a right side elevational view thereof, at the closed position;  
FIG. 8 is a top plan view thereof, at the closed position;  
FIG. 9 is a bottom plan view thereof, at the closed position;  
and,  
FIG. 10 is front elevational view thereof, at a fully extended position.  
The short dashed broken lines in the drawings depict stitching which form part of the claimed design.

**1 Claim, 10 Drawing Sheets**



(56)

**References Cited**

U.S. PATENT DOCUMENTS

2010/0294909 A1\* 11/2010 Hauser ..... B42D 9/00  
248/456  
2011/0266194 A1\* 11/2011 Bau ..... H04B 1/3888  
206/736  
2013/0088431 A1\* 4/2013 Ballagas ..... G06F 1/1626  
345/168  
2013/0140194 A1\* 6/2013 Han ..... G06F 1/1656  
206/45.23  
2013/0233762 A1\* 9/2013 Balaji ..... B29C 65/7802  
206/736  
2015/0065208 A1\* 3/2015 Balaji ..... A45C 11/00  
455/575.8  
2015/0263776 A1\* 9/2015 Shyu ..... A45C 13/002  
455/575.8  
2015/0266610 A1\* 9/2015 Melmon ..... A45C 11/00  
206/45.23  
2015/0280768 A1\* 10/2015 Huang ..... H04M 1/7253  
455/575.8  
2017/0005688 A1\* 1/2017 Fathollahi ..... H04B 1/3888

\* cited by examiner

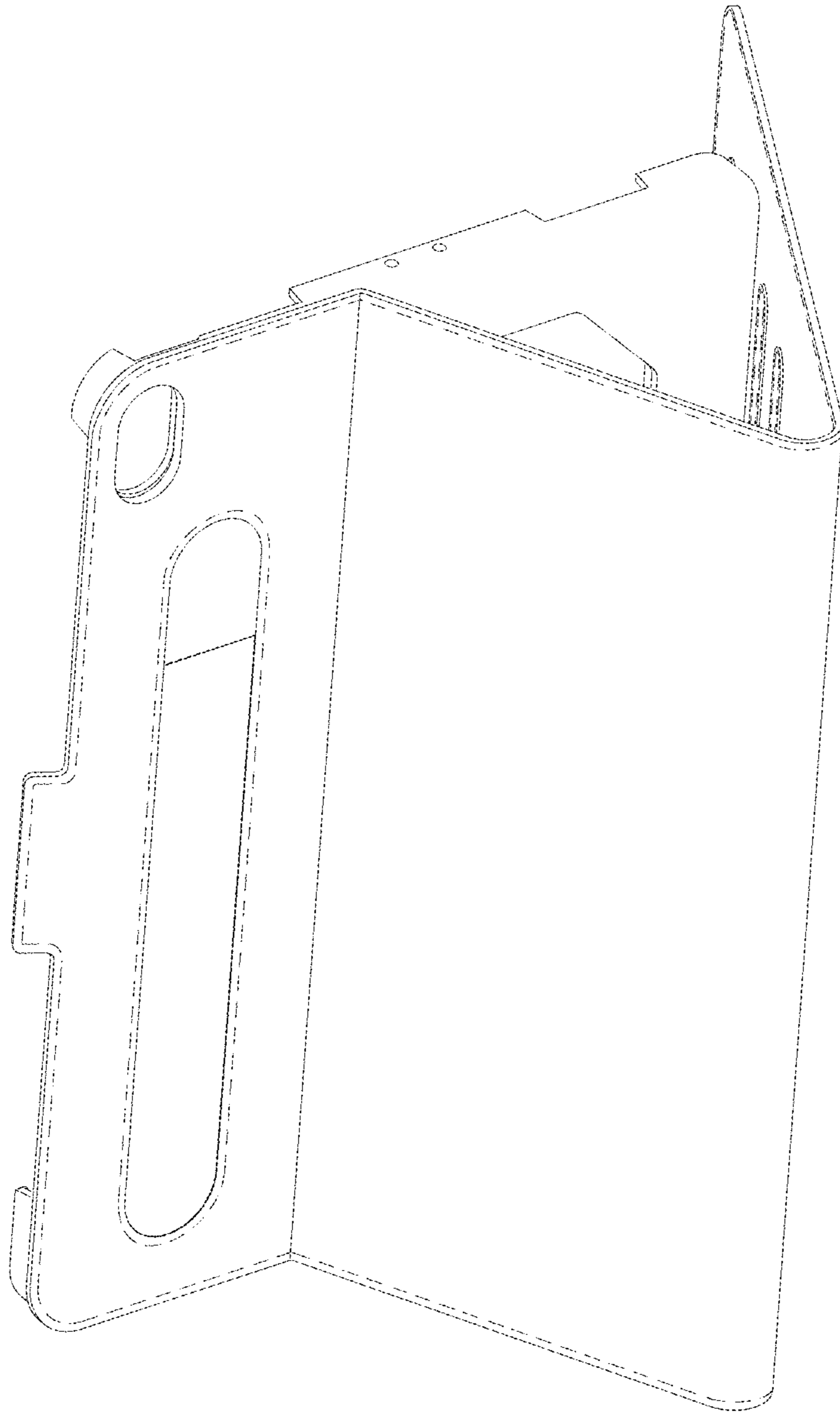


FIG.1

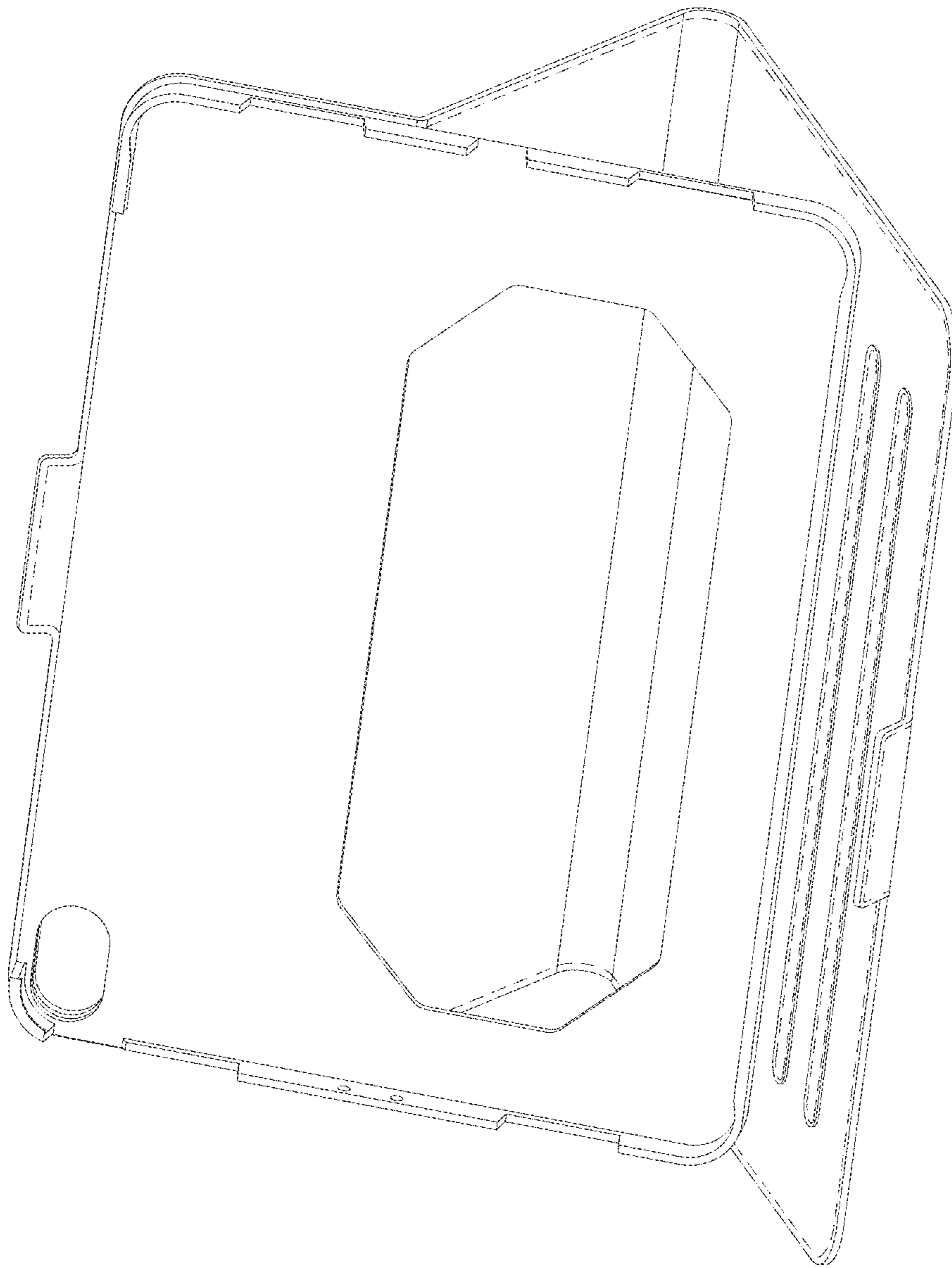


FIG.2

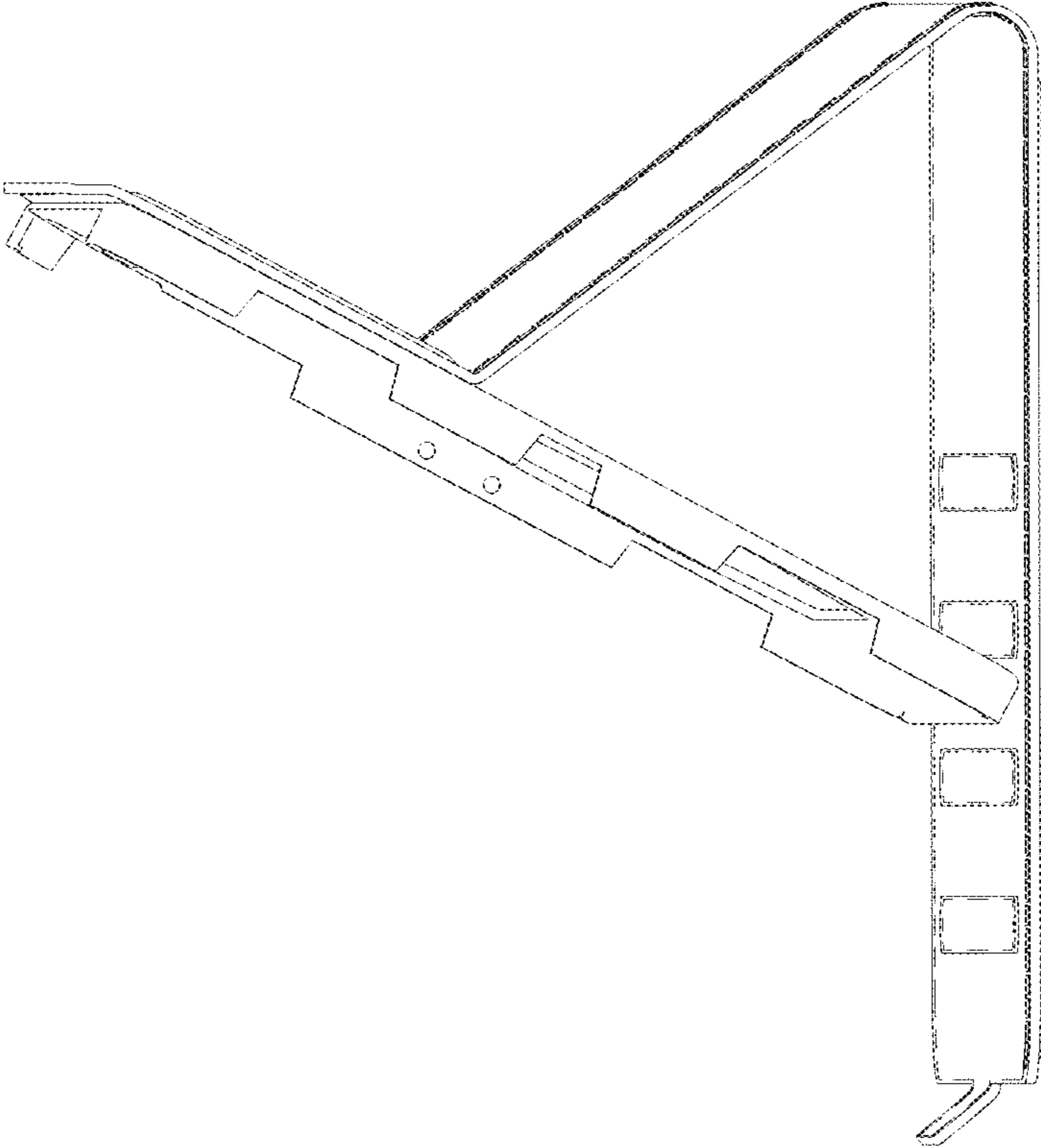


FIG.3

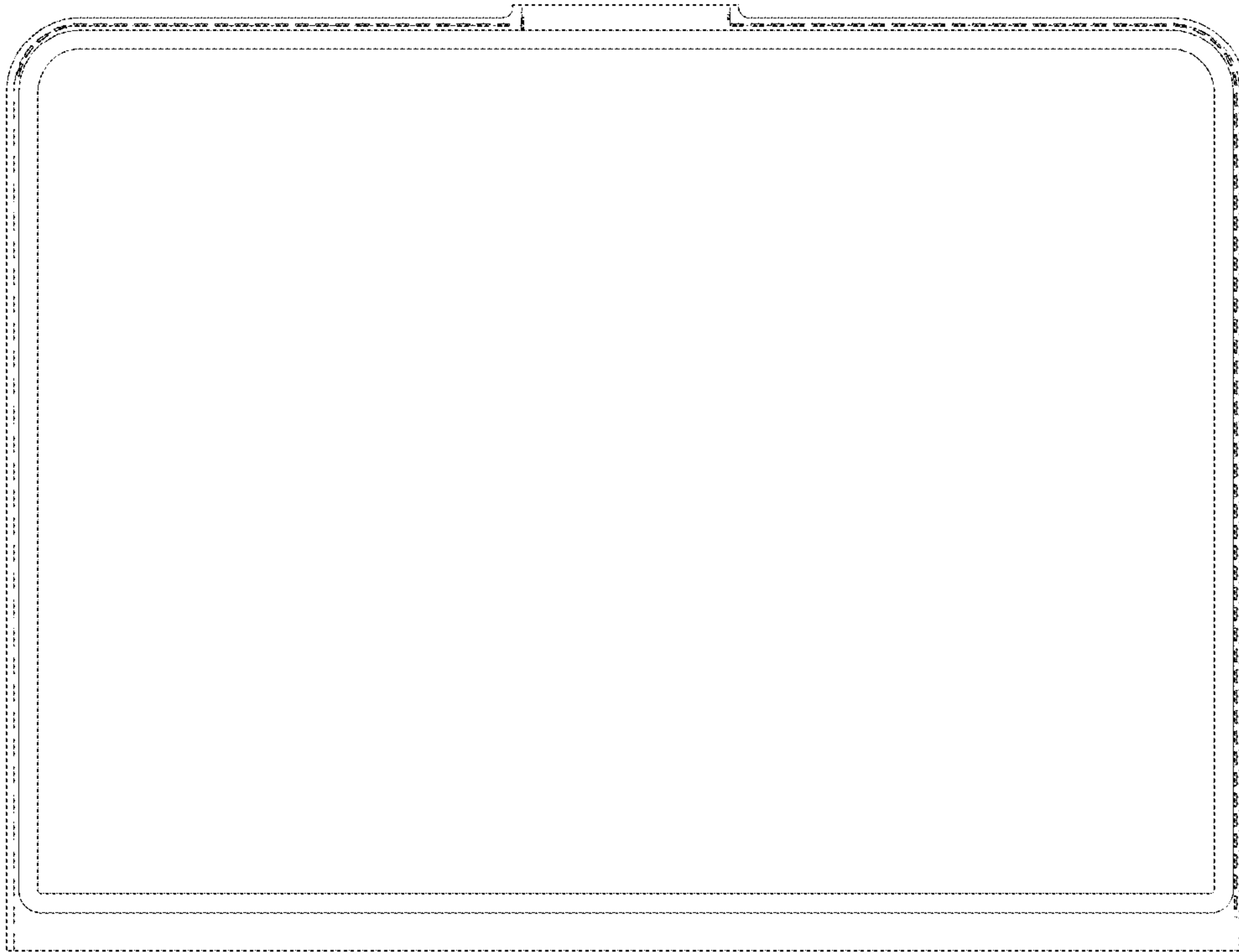


FIG.4



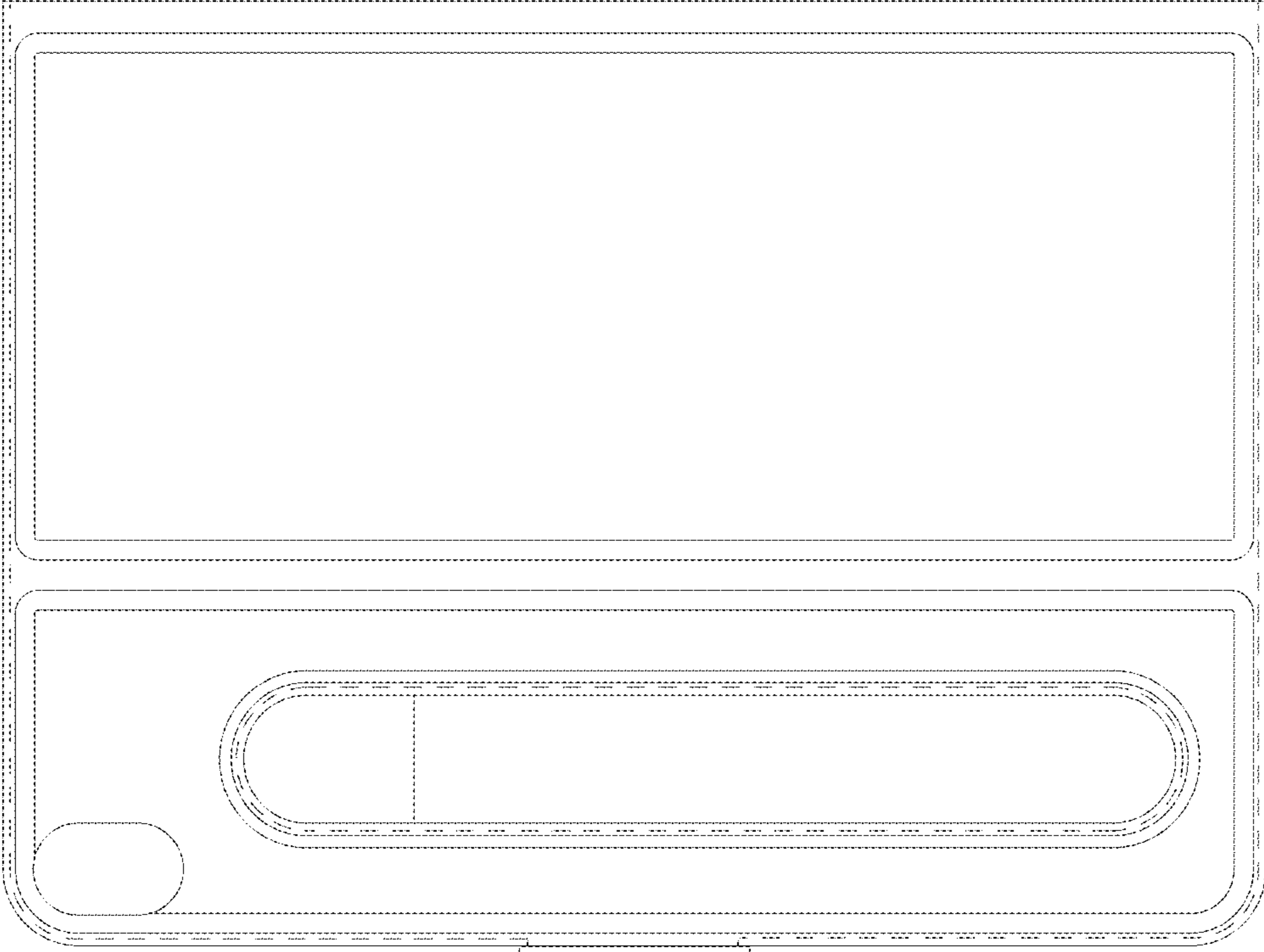


FIG.5

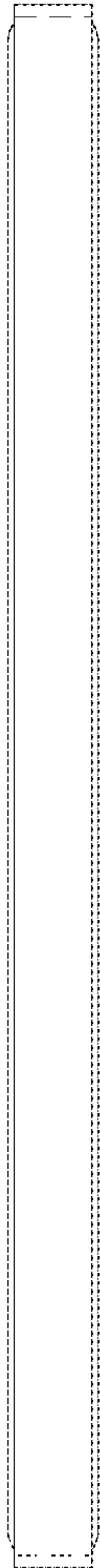


FIG.6





FIG.7

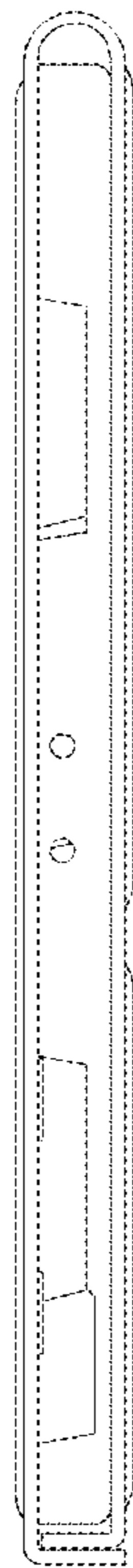


FIG.8

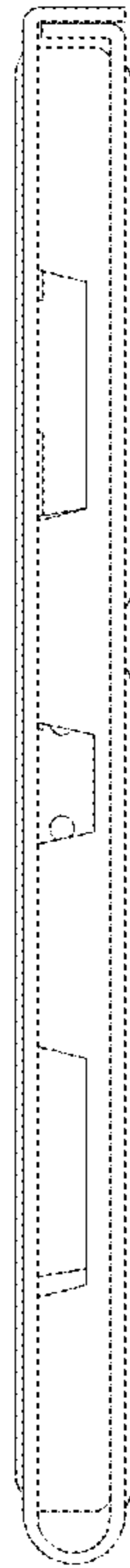


FIG.9

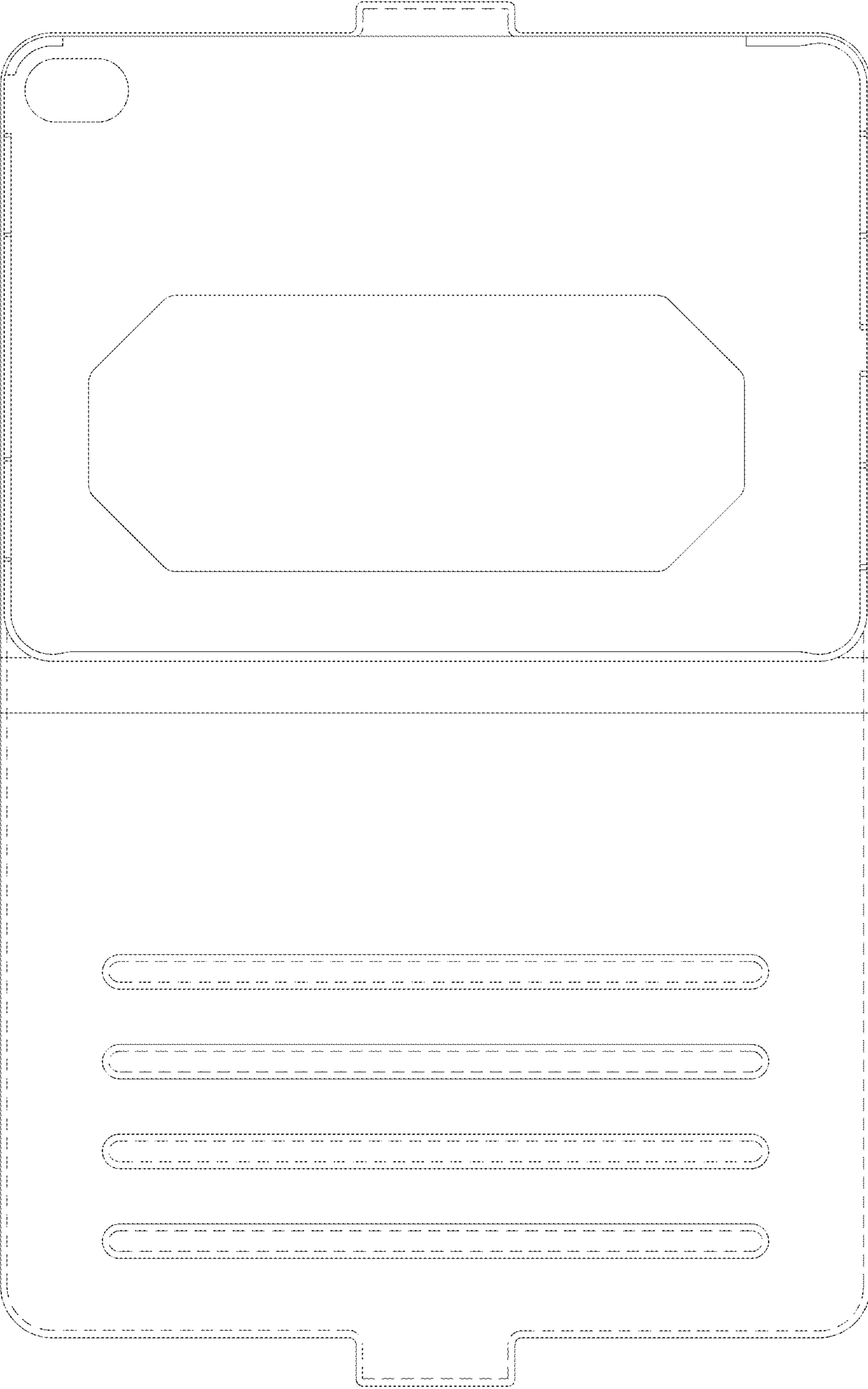


FIG.10