



US00D904411S

(12) **United States Design Patent** (10) **Patent No.:** **US D904,411 S**  
**Zhang et al.** (45) **Date of Patent:** **\*\* Dec. 8, 2020**

(54) **CONVERTER**

(71) Applicant: **Ugreen Group Limited**, Shenzhen (CN)

(72) Inventors: **Qingsen Zhang**, Shenzhen (CN); **Junling Chen**, Shenzhen (CN); **Tuo Zhu**, Shenzhen (CN)

(\*\*) Term: **15 Years**

(21) Appl. No.: **29/707,539**

(22) Filed: **Sep. 29, 2019**

(51) **LOC (12) Cl.** ..... **14-99**

(52) **U.S. Cl.**  
USPC ..... **D14/433**

(58) **Field of Classification Search**  
USPC ..... D14/433, 434, 435.1, 480.1–480.7, 436, D14/484.1, 155, 203.1–203.8, 240, 242, D14/133, 154; D13/107, 108  
CPC .... G06F 13/122; G06F 13/382; G06F 13/385; G06F 13/4022; G06F 13/4282; G06F 1/1632; G06F 1/1684; H01R 25/006; H05K 5/0278; G06K 19/07732  
See application file for complete search history.

(56) **References Cited**

U.S. PATENT DOCUMENTS

D807,290 S *	1/2018	Liao	.....	D13/110
D813,875 S *	3/2018	Liao	.....	D14/434
D828,839 S *	9/2018	Zhang	.....	D14/433

D828,840 S *	9/2018	Zhang	.....	D14/433
D828,841 S *	9/2018	Zhang	.....	D14/433
D844,618 S *	4/2019	Liao	.....	D14/434
D847,139 S *	4/2019	Wang	.....	D14/433
D853,322 S *	7/2019	Xu	.....	D13/108
D854,020 S *	7/2019	Liao	.....	D14/434
D880,479 S *	4/2020	Liao	.....	D14/433
D880,481 S *	4/2020	Liao	.....	D14/433
D885,393 S *	5/2020	Duan	.....	D14/433
D886,825 S *	6/2020	Zhang	.....	D14/433

\* cited by examiner

*Primary Examiner* — Angela J Lee  
*Assistant Examiner* — Rebekah A Caruso  
(74) *Attorney, Agent, or Firm* — HYIP

(57) **CLAIM**

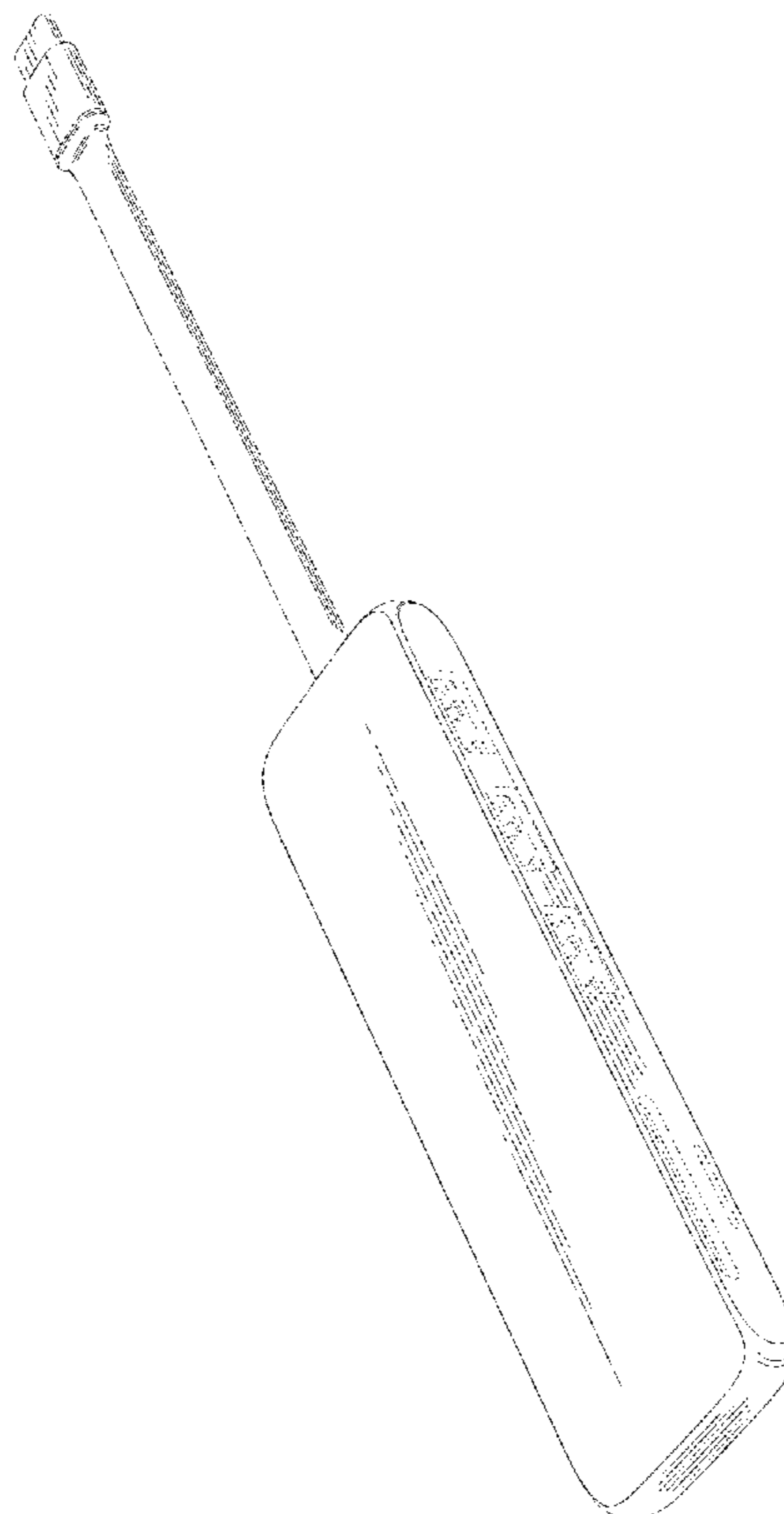
The ornamental design for a converter, as shown and described.

**DESCRIPTION**

FIG. 1 is a perspective view of a converter showing our new design;  
FIG. 2 is a front view thereof;  
FIG. 3 is a back view thereof;  
FIG. 4 is a left side view thereof;  
FIG. 5 is a right side view thereof;  
FIG. 6 is a top view thereof; and,  
FIG. 7 is a bottom view thereof.

The broken lines shown in the drawings depict portions of the converter in which the design is embodied that form no part of the claimed design.

**1 Claim, 7 Drawing Sheets**



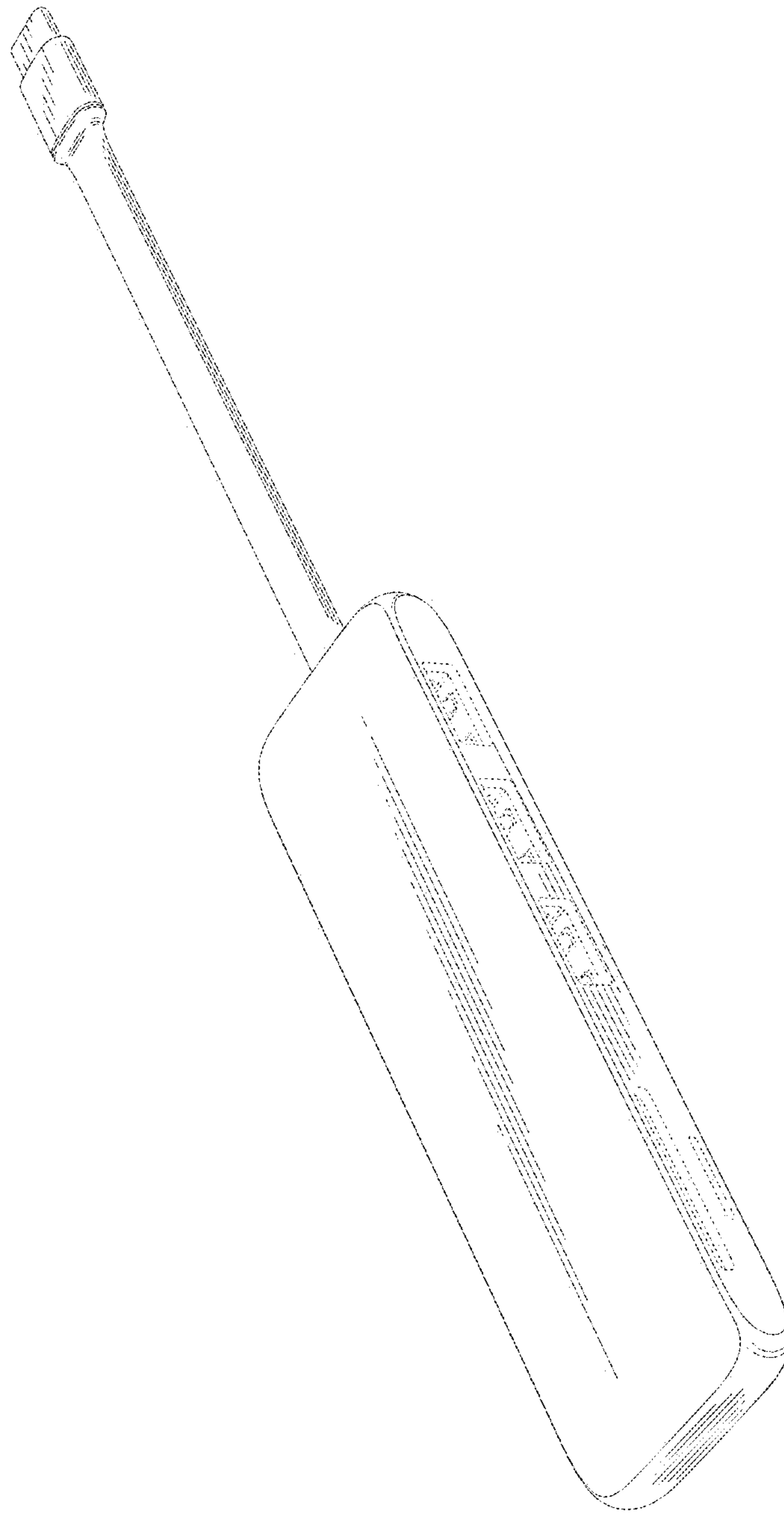


FIG. 1

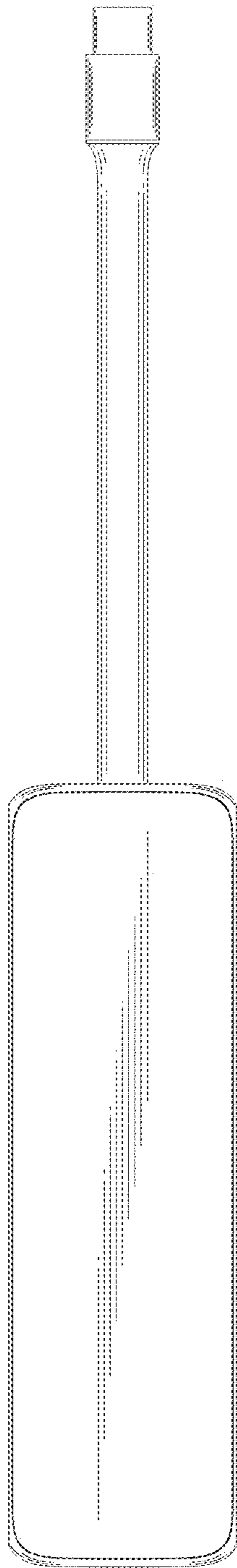


FIG. 2

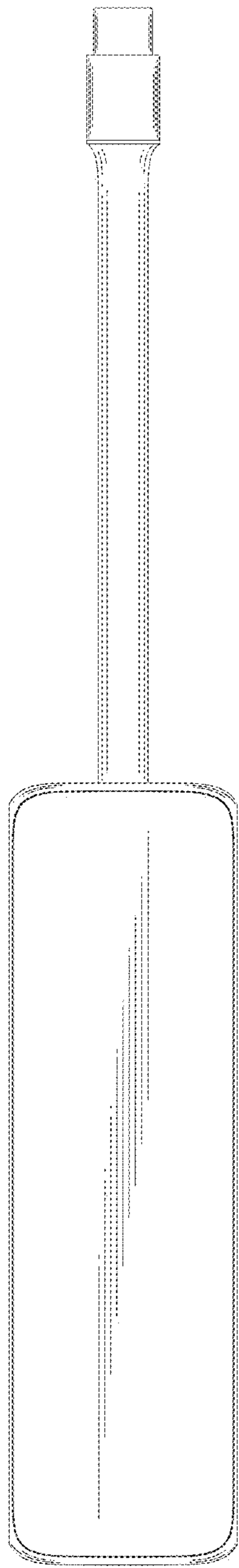


FIG.3

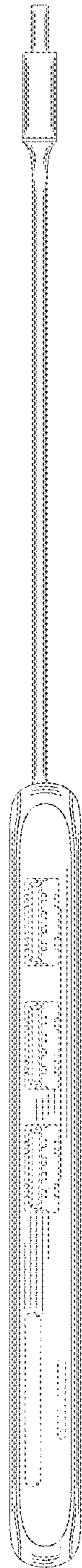


FIG.4

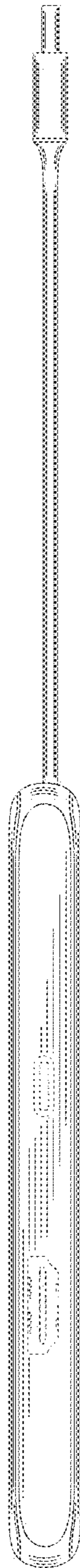


FIG. 5

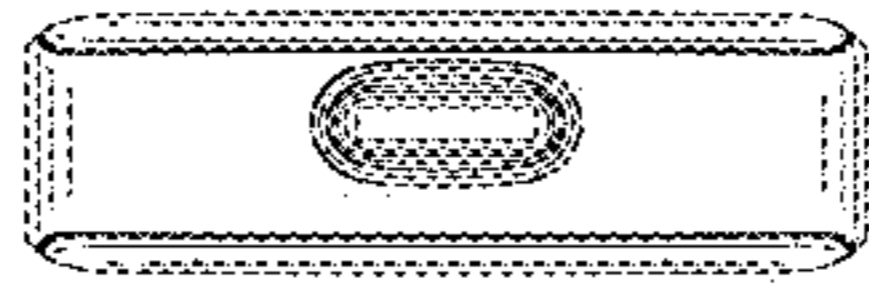


FIG.6

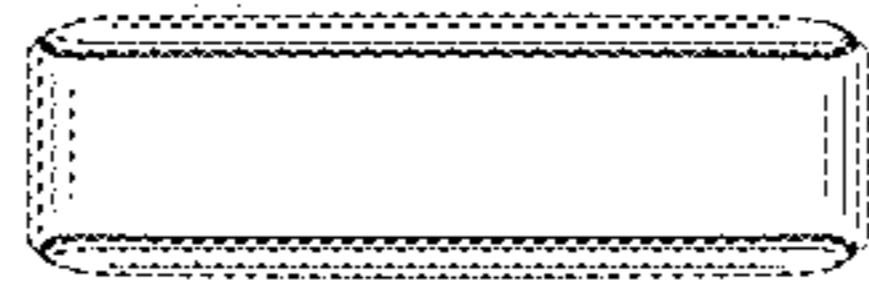


FIG. 7