



US00D904410S

(12) **United States Design Patent**  
**Xu**

(10) **Patent No.:** **US D904,410 S**

(45) **Date of Patent:** **\*\* Dec. 8, 2020**

(54) **GUN BORE CHECKER WITH FIBER OPTICS AND SPRING CLIP MOUNT**

(71) Applicant: **Ye Xu**, Sugar Land, TX (US)

(72) Inventor: **Ye Xu**, Sugar Land, TX (US)

(\*\*) Term: **15 Years**

(21) Appl. No.: **29/692,859**

(22) Filed: **May 29, 2019**

(51) **LOC (12) Cl.** ..... **14-02**

(52) **U.S. Cl.**  
USPC ..... **D14/432**

(58) **Field of Classification Search**  
USPC ..... D22/108; D8/61; D14/411, 435  
CPC ..... F21V 21/08; F21V 33/0052; F21V 7/005  
See application file for complete search history.

(56) **References Cited**

**U.S. PATENT DOCUMENTS**

D609,376 S *	2/2010	Cristoforo	.....	D26/38
D775,271 S *	12/2016	Ridinger	.....	D17/99
D824,062 S *	7/2018	Qiu	.....	D26/60
D884,704 S *	5/2020	Patrick	.....	D14/432
D891,407 S *	7/2020	Folk	.....	D14/240

2018/0116509 A1\* 5/2018 Myung ..... A61B 3/10

\* cited by examiner

*Primary Examiner* — Michael A. Pratt

(74) *Attorney, Agent, or Firm* — Benjamin Aaron Adler

(57) **CLAIM**

The ornamental design for a gun bore checker with fiber optics and spring clip mount, as shown.

**DESCRIPTION**

FIG. 1 is a right side view of the gun bore checker with fiber optics and spring clip mount showing the fiber optics mounted on the top front of the spring clip; the left side view being a mirror image thereof.

FIG. 2 is a top view of the gun bore checker of FIG. 1.

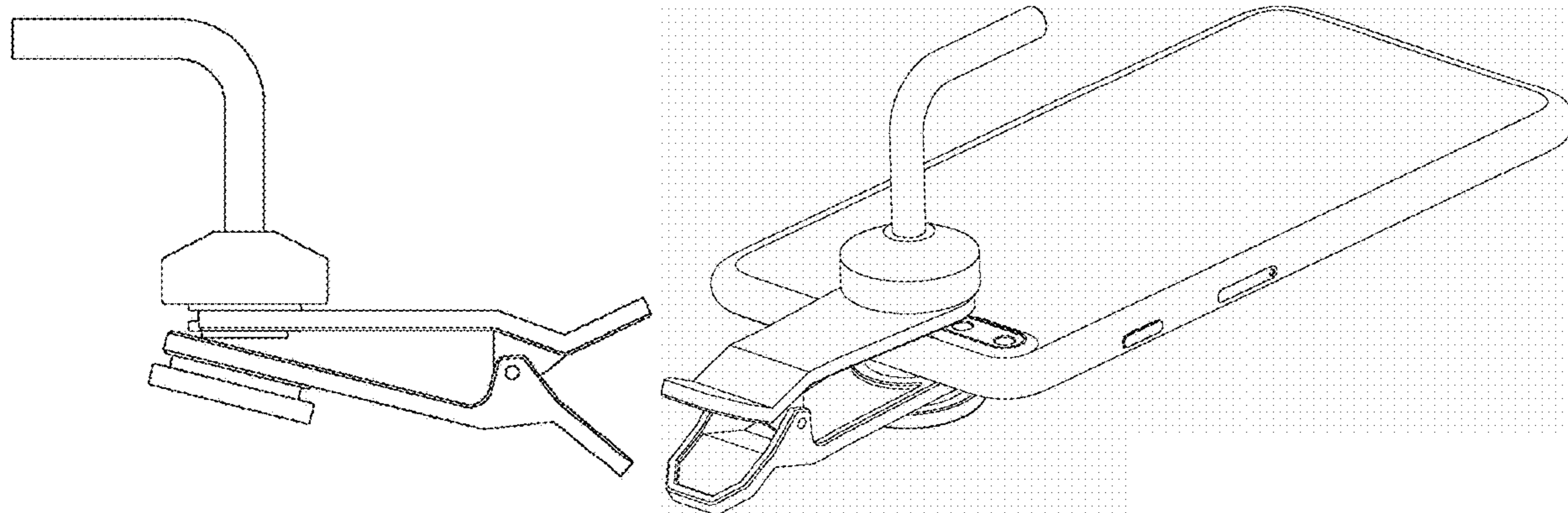
FIG. 3 is a bottom view of the gun bore checker of FIG. 1.

FIG. 4 is a front view of the gun bore checker of FIG. 1.

FIG. 5 is a back view of the gun bore checker of FIG. 1; and,

FIG. 6 is a perspective view of the back and left side of the gun bore checker of FIG. 1 shown in use clipped onto a smartphone with the fiber optics in alignment with the smartphone flash. The illustration of the smartphone in the drawing is not part of the design sought to be patented.

**1 Claim, 3 Drawing Sheets**



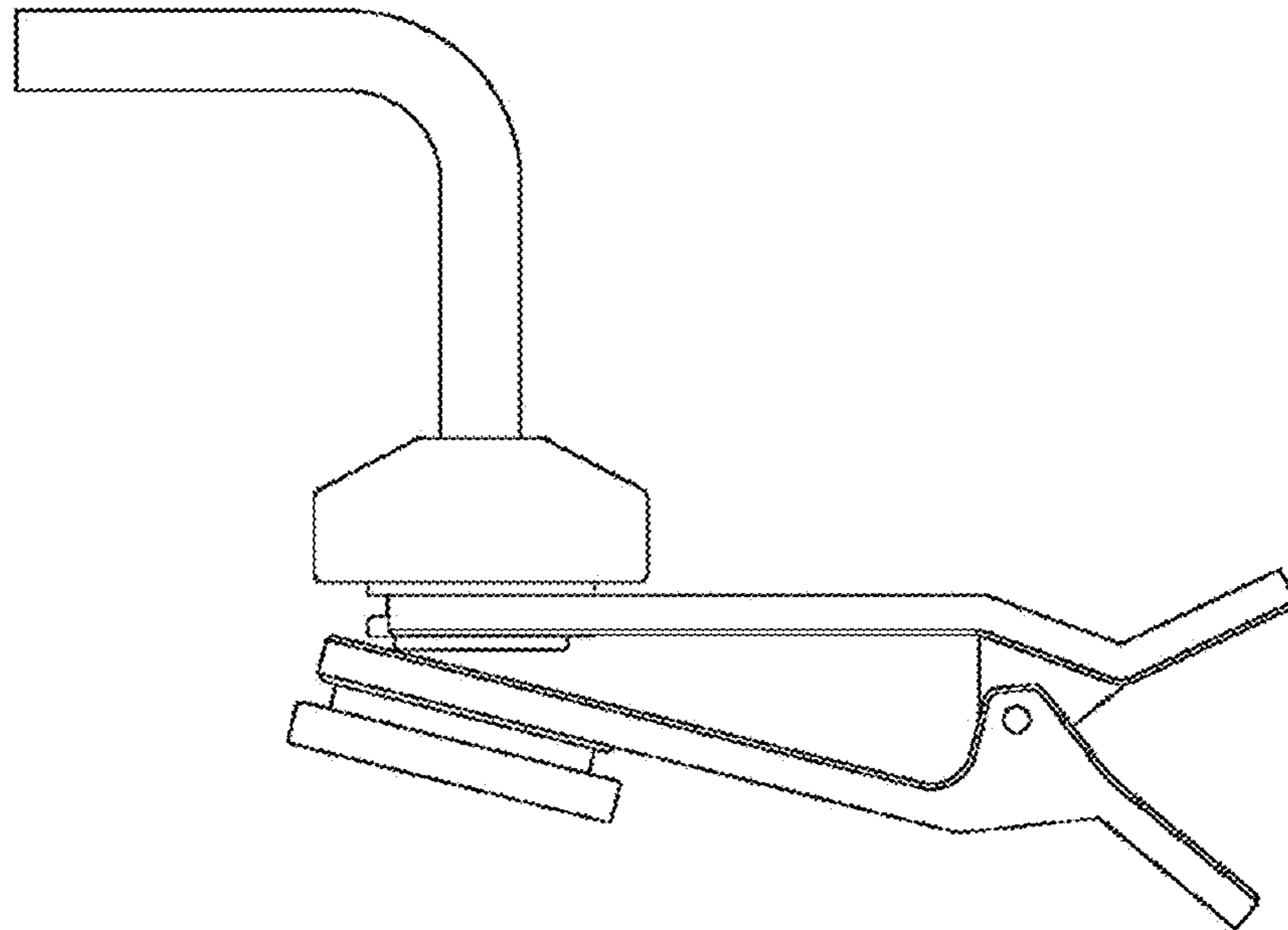


FIG. 1

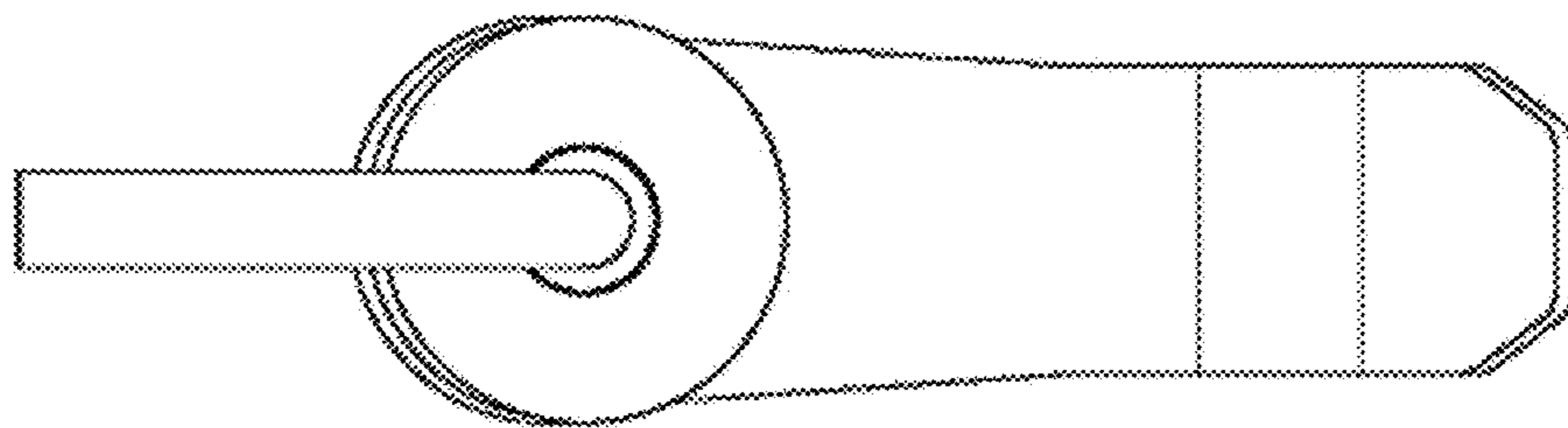


FIG. 2

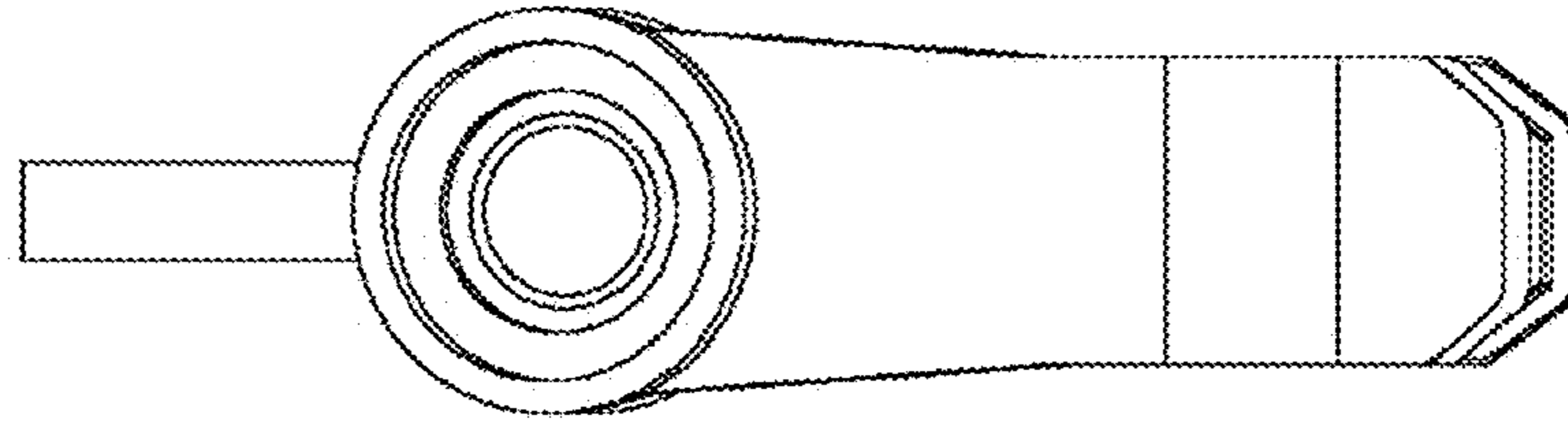


FIG. 3

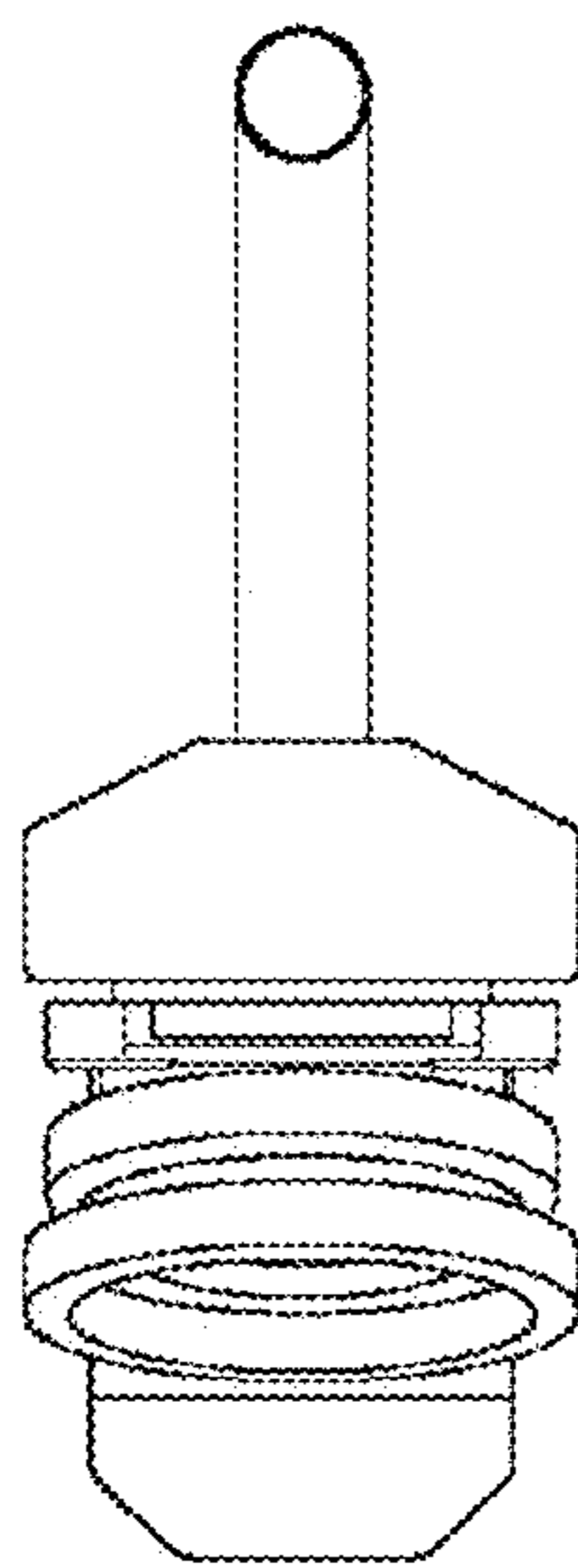


FIG. 4

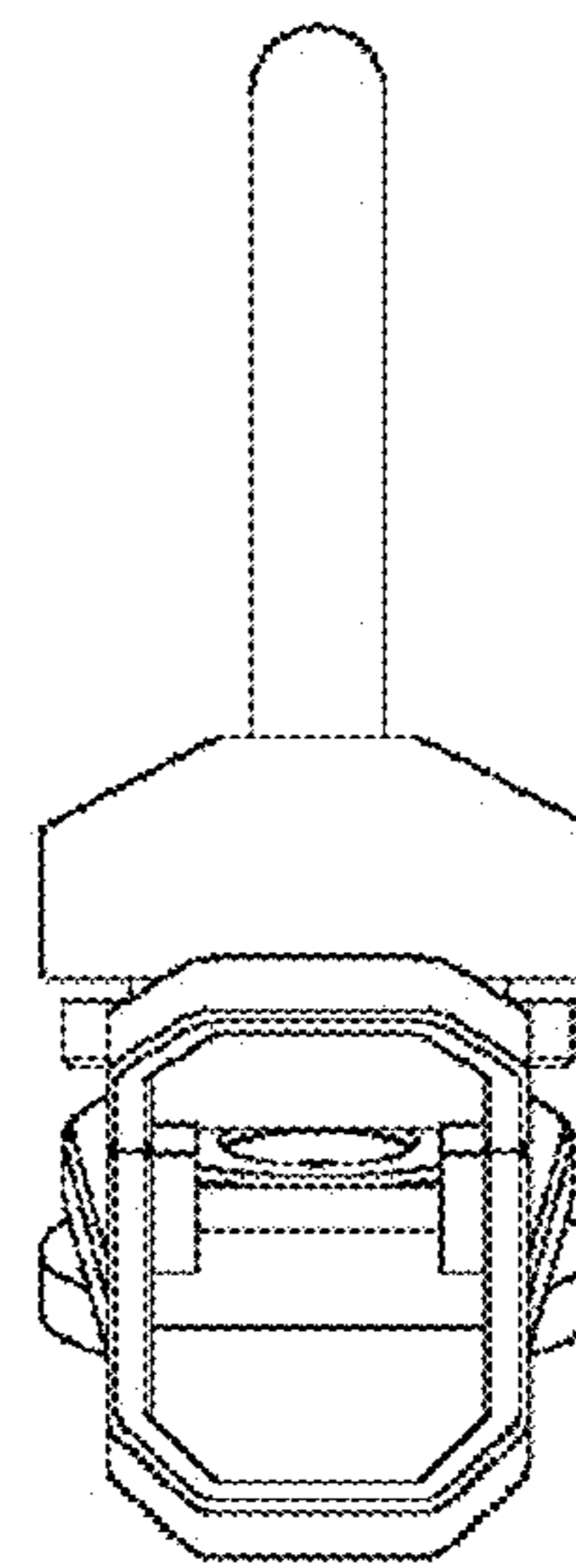


FIG. 5

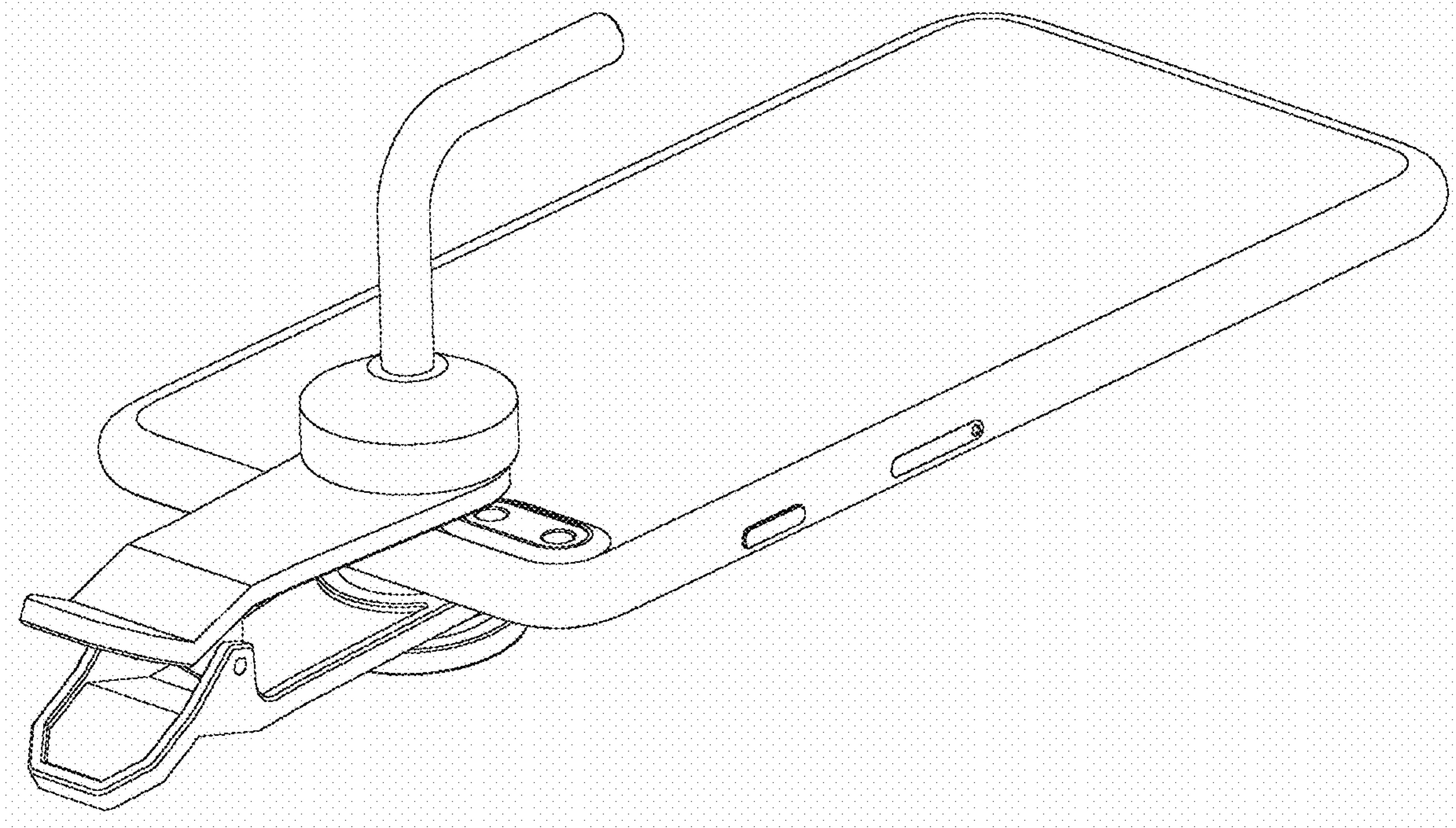


FIG. 6