



US00D904397S

(12) **United States Design Patent** (10) **Patent No.:** **US D904,397 S**
Tseng (45) **Date of Patent:** **** Dec. 8, 2020**

(54) **NOTEBOOK COMPUTER**

FOREIGN PATENT DOCUMENTS

(71) Applicant: **ASUSTeK COMPUTER INC.**, Taipei (TW)

CN 302122651 * 10/2012
CN 305381393 * 10/2019

(Continued)

(72) Inventor: **Chun-Mao Tseng**, Taipei (TW)

OTHER PUBLICATIONS

(73) Assignee: **ASUSTEK COMPUTER INC.**, Taipei (TW)

ROG Zephyrus S15 Laptop, ASUS, asus.com, author and date not listed © AsusTek Computer, Inc., online, site visited Sep. 13, 2020. Available at URL: <https://www.asus.com/us/Laptops/ROG-Zephyrus-S15/> (Year: 2020).*

(**) Term: **15 Years**

(Continued)

(21) Appl. No.: **29/706,118**

Primary Examiner — Marissa J Cash

(22) Filed: **Sep. 18, 2019**

Assistant Examiner — Altaira J Swangin

(51) **LOC (12) Cl.** **14-02**

(74) *Attorney, Agent, or Firm* — McClure, Qualey & Rodack, LLP

(52) **U.S. Cl.**

(57) **CLAIM**

USPC **D14/315**

The ornamental design for a notebook computer, as shown and described.

(58) **Field of Classification Search**

DESCRIPTION

USPC D14/203.4, 203.6, 250–251, 315–327, D14/331, 345–346, 425, 434, 440, 444, D14/451, 455–457, 477, 507; D18/2, 11; D21/324, 330, 335, 515; D6/595–596, D6/601, 611, 585, 703.4, 719.4; D3/201, D3/203.6–203.8, 900–905; 206/45.2, 206/45.23; D25/142, 155, 163
CPC A47G 9/1027; A47C 31/10; A47C 31/11; H04B 1/3888

FIG. 1 is a perspective view of a notebook computer showing our new design;
FIG. 2 is a front elevational view thereof;
FIG. 3 is a rear elevational view thereof;
FIG. 4 is a left side elevational view thereof;
FIG. 5 is a right side elevational view thereof;
FIG. 6 is a top plan view thereof;
FIG. 7 is a bottom plan view thereof; and,
FIG. 8 is an enlarged partial view thereof shown indicated in FIG. 1.

See application file for complete search history.

The broken lines in the drawings illustrate portions of the notebook computer which form no part of the claimed design.

(56) **References Cited**

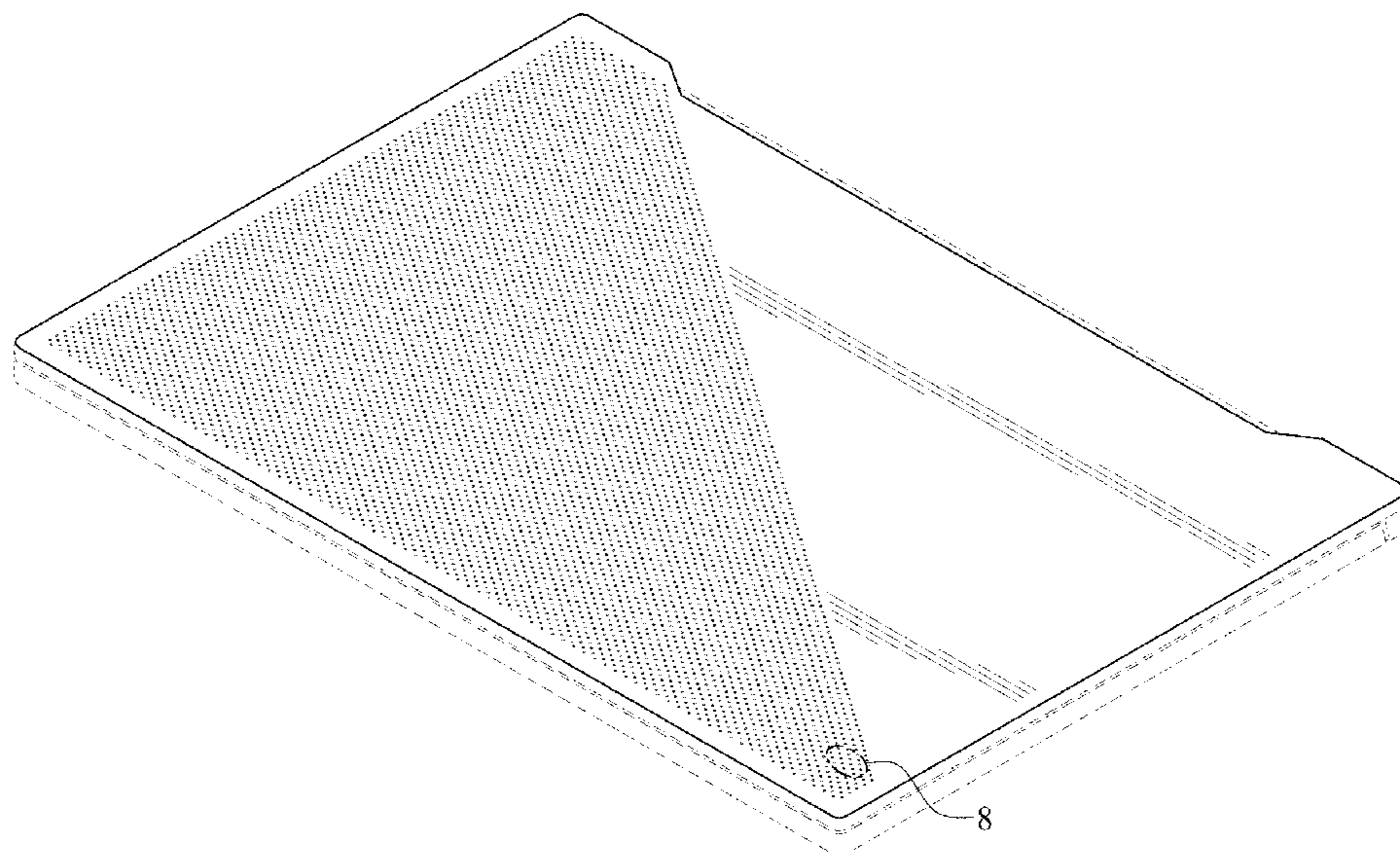
The dash dot lines in FIGS. 1 and 8 are included for the purpose of illustrating an enlarged area and form no part of the claimed design. The number in FIG. 1 is for illustrative purposes only and form no part of the claimed design.

U.S. PATENT DOCUMENTS

1,804,884 A * 5/1931 Mazer E04B 1/86
181/293
D186,777 S * 12/1959 McCormic D21/342
D191,901 S * 12/1961 Breneman D6/585
D474,925 S * 5/2003 Macor D14/444

(Continued)

1 Claim, 8 Drawing Sheets



(56)

References Cited

U.S. PATENT DOCUMENTS

6,592,450 B1 * 7/2003 Kim F24F 3/161
454/187
6,635,820 B1 * 10/2003 Mair H05K 9/0041
174/377
D520,016 S * 5/2006 Lin D14/441
D553,263 S * 10/2007 Kim D25/155
D556,921 S * 12/2007 Ardern D25/163
D573,828 S * 7/2008 Clokey D6/553
D587,701 S * 3/2009 Yoon D14/318
D664,269 S * 7/2012 Kim D25/155
D680,238 S * 4/2013 Saucedo D25/155
D683,166 S * 5/2013 Robbins, III D6/580
D685,927 S * 7/2013 Kim D25/155
D685,998 S * 7/2013 Robbins, III D5/47
D693,493 S * 11/2013 Kim D25/155
9,375,874 B2 * 6/2016 Lin G06F 1/1656
D785,613 S * 5/2017 Lin D14/250
D860,193 S * 9/2019 Wang D14/315
D860,194 S * 9/2019 Wang D14/315
D863,819 S * 10/2019 Ghiorghie D6/585
D865,723 S * 11/2019 Cho H04R 31/00
D14/225
D868,773 S * 12/2019 Lai D14/315
D871,392 S * 12/2019 Wang D14/315
2009/0168435 A1 * 7/2009 Wang G06F 1/1656
362/311.02
2013/0106037 A1 * 5/2013 Ohashi E04F 15/02194
267/103
2020/0114543 A1 * 4/2020 Conrad B29C 45/47

FOREIGN PATENT DOCUMENTS

CN 305868688 * 6/2020
KR 300794034.0000 * 4/2015

OTHER PUBLICATIONS

ROG Zephyrus M15 Laptop, ASUS, asus.com, author unlisted, published Aug. 21, 2020 per wayback machine © AsusTek Computer, Inc., online, site visited Sep. 14, 2020. Available at URL: <https://www.asus.com/us/Laptops/ROG-Zephyrus-M15/> (Year: 2020).*

Aluminum Powder Coated Metal Ceiling Panel 600 X 600 X 0.6mm, Ousilong, suspendedmetalceiling.com, author unlisted, published Aug. 5, 2017 per wayback machine © 2014-2020 suspendedmetalceiling.com, online, site visited Sep. 14, 2020. Available at URL: <https://www.suspendedmetalceiling.com/sale> . . . (Year: 2017).*

Perforated Hardshell Case for MacBook Air, Incase, ilounge.com, published by Nick Guy on Jan. 25, 2020 © 2001-2020 iLounge, online, site visited Sep. 14, 2020. Available at URL: <https://www.ilounge.com/index.php/mac/entry/incase-perforated-hardshell-case-for-macbook-air> (Year: 2020).*

ROG Strix GL503 Laptop, ASUS, hardwarezone.com, published by Aaron Yip on Jan. 13, 2018 © 2020 SPH Magazines Pte Ltd., online, site visited Sep. 14, 2020. Available at URL: <https://www.hardwarezone.com.sg/review-asus-rog-strix-gl503-review-scar-and-hero-editions> (Year: 2018).*

* cited by examiner

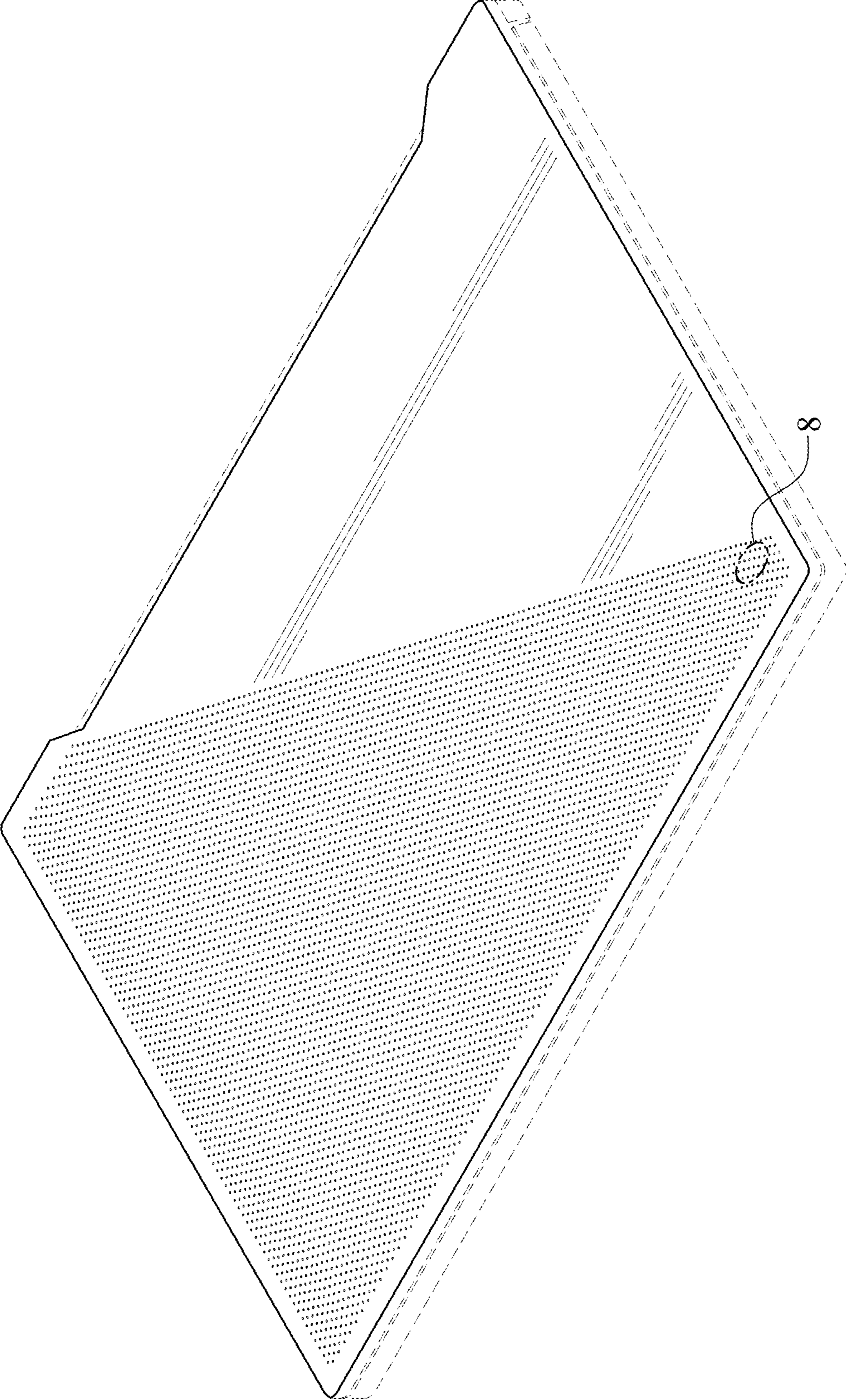


Fig. 1

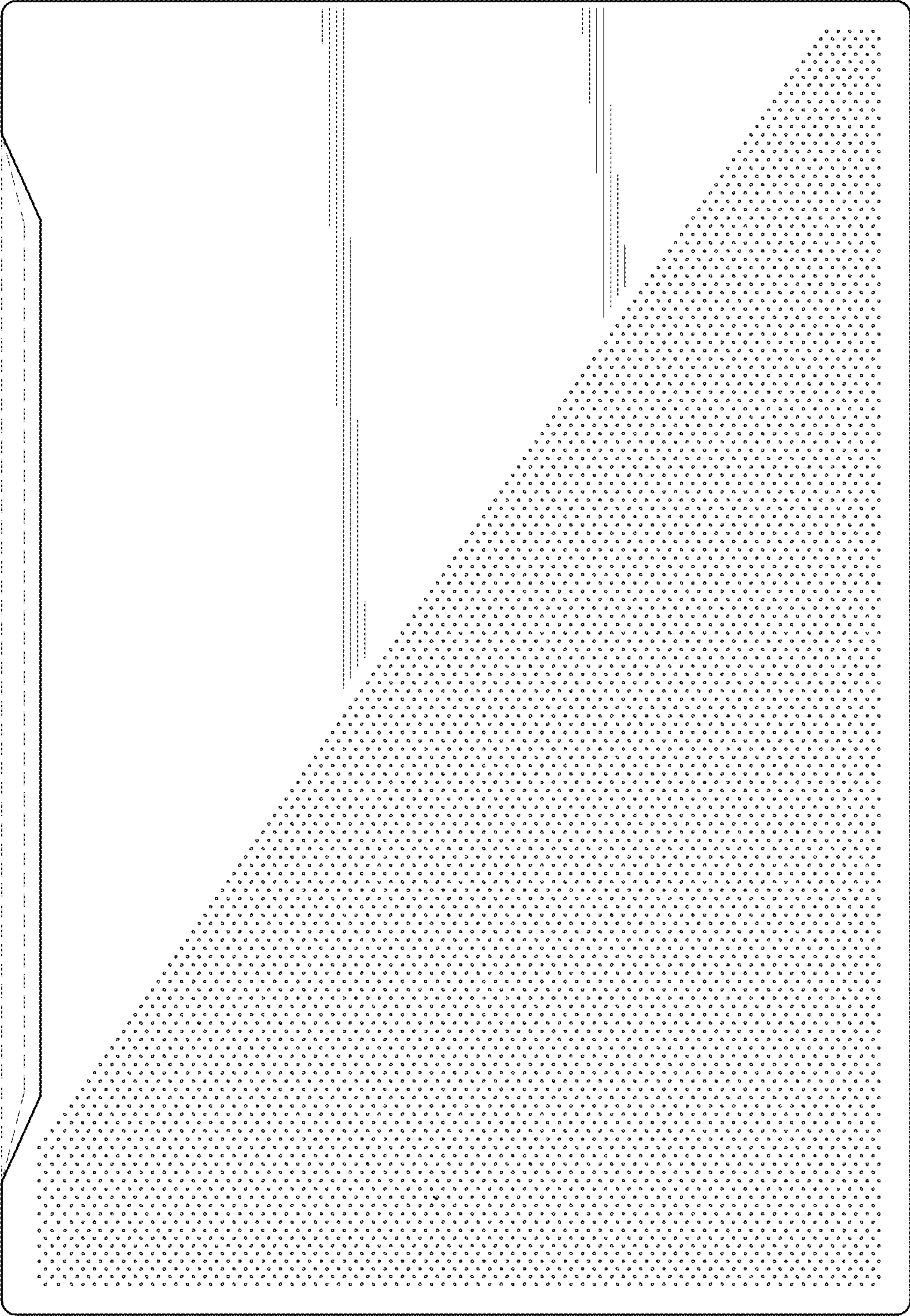


Fig. 2



Fig. 3

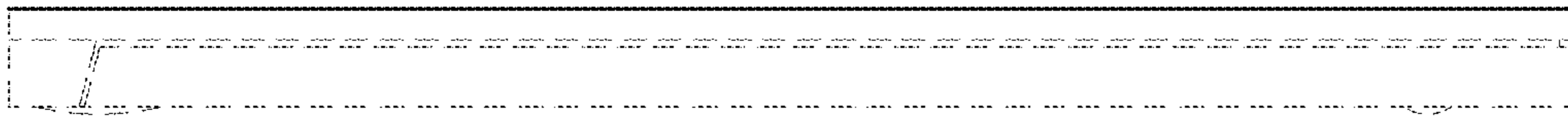


Fig. 4



Fig. 5

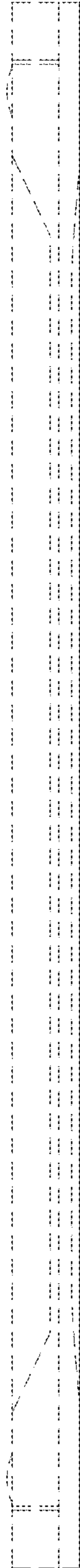


Fig. 6



Fig. 7

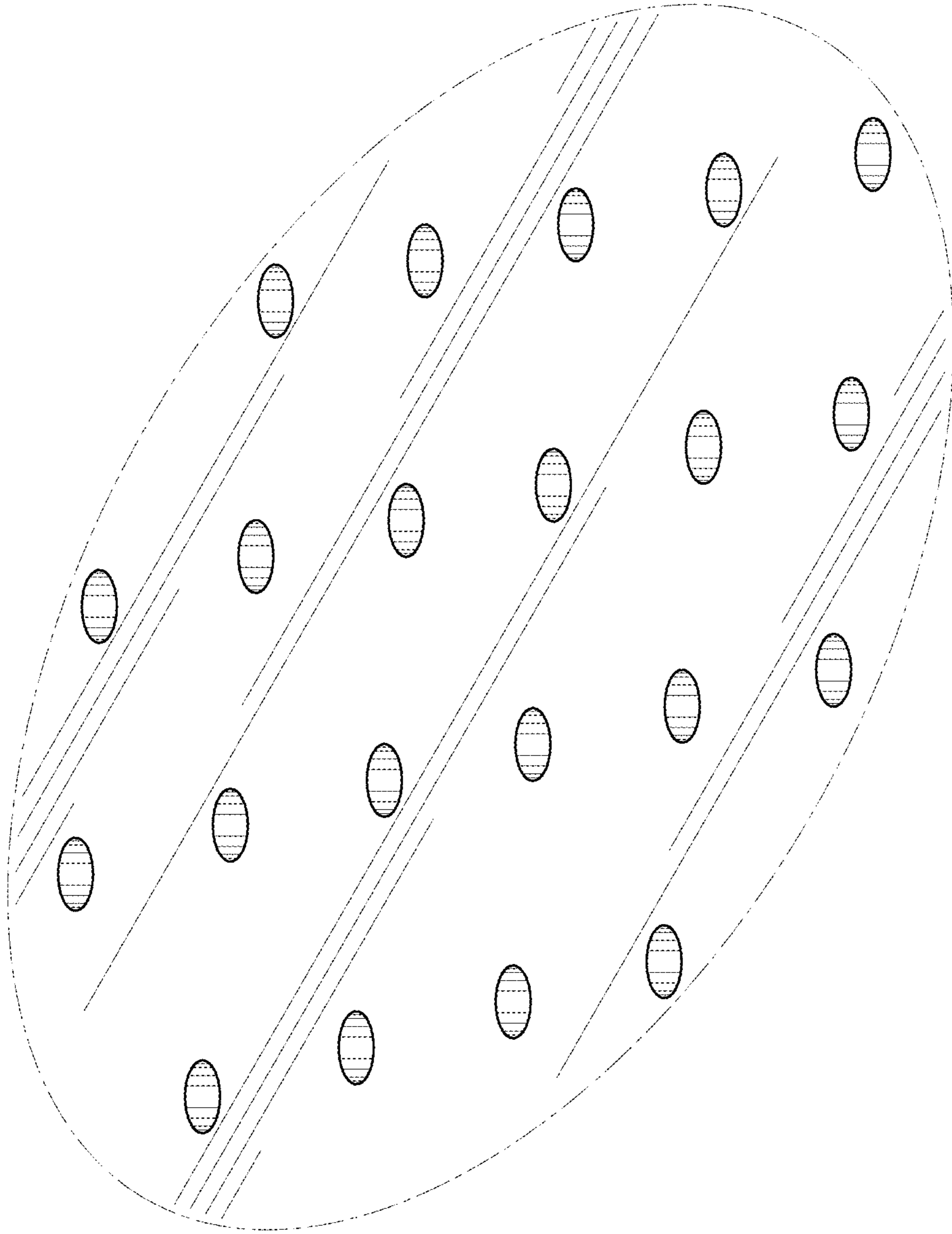


Fig. 8