



US00D904393S

(12) **United States Design Patent**
Shibukawa

(10) **Patent No.:** **US D904,393 S**
(45) **Date of Patent:** **** Dec. 8, 2020**

- (54) **DISC PLAYER**
- (71) Applicant: **SONY CORPORATION**, Tokyo (JP)
- (72) Inventor: **Kentaro Shibukawa**, Kanagawa (JP)
- (73) Assignee: **SONY CORPORATION**, Tokyo (JP)
- (**) Term: **15 Years**
- (21) Appl. No.: **29/675,137**
- (22) Filed: **Dec. 28, 2018**
- (51) **LOC (12) Cl.** **14-03**
- (52) **U.S. Cl.**
USPC **D14/262**
- (58) **Field of Classification Search**
USPC D14/199–203, 261, 262; 369/264–265,
369/252, 254, 256; D8/352, 373, 380,
D8/382
CPC B60R 11/02; B60K 37/04; B60K 37/06;
H04B 1/08; H04B 1/082; G11B 17/16;
G11B 23/00; G11B 19/16; G11B 33/02;
G11B 3/09–12
See application file for complete search history.

- 4,182,517 A * 1/1980 Rosenberg G11B 3/12
369/254
- 4,200,828 A * 4/1980 Ridler G11B 3/32
369/220
- D257,534 S * 11/1980 Ikeda D14/262
- 4,455,641 A * 6/1984 Sliski G11B 3/38
369/252
- D282,839 S * 3/1986 Vinogradov D14/262
- 4,686,664 A * 8/1987 Graham G11B 3/14
369/53.38
- 4,998,701 A * 3/1991 Rawald A47G 25/0635
248/224.7
- D480,297 S * 10/2003 Parker D8/380
- D486,847 S 2/2004 Uehara
- D498,136 S * 11/2004 Parker D8/380
- 7,086,071 B2 * 8/2006 Schroder G11B 3/125
720/683
- D535,869 S * 1/2007 Brunsteter D8/382

(Continued)

Primary Examiner — Sandra L Morris
(74) *Attorney, Agent, or Firm* — Michael Best and
Friedrich LLP

(57) **CLAIM**

The ornamental design for a disc player, as shown and described.

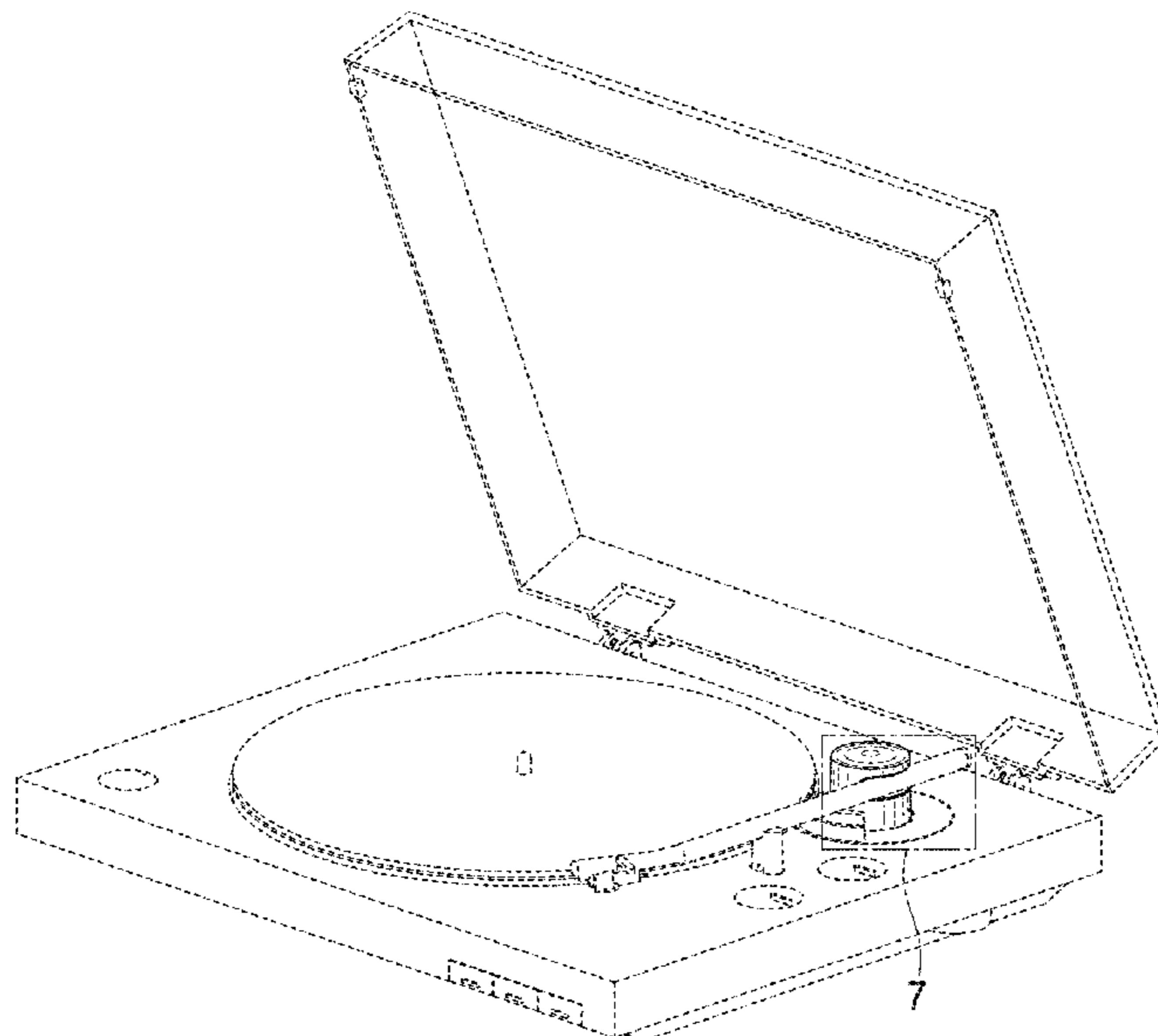
DESCRIPTION

FIG. 1 is a perspective view of a disc player showing my new design;
FIG. 2 is a front elevational view thereof;
FIG. 3 is a rear elevational view thereof;
FIG. 4 is a left side elevational view thereof;
FIG. 5 is a right side elevational view thereof; and
FIG. 6 is a top plan view thereof; and
FIG. 7 is a partially enlarged perspective view thereof at the location surrounded by the dot-dash broken lines 7 of FIG. 1.
The broken lines illustrating unclaimed portions of the disc player form no part of the claimed design.

1 Claim, 7 Drawing Sheets

(56) **References Cited**
U.S. PATENT DOCUMENTS

- D227,596 S * 7/1973 Bailey D14/262
- D242,483 S * 11/1976 Arbib D14/262
- 3,997,173 A * 12/1976 Yasuda G11B 3/09
369/252
- 4,076,258 A * 2/1978 Wren G11B 3/121
369/252
- 4,102,536 A * 7/1978 Clunis G11B 3/128
369/134
- D251,003 S * 2/1979 Ohtomo G11B 3/38
D14/262
- 4,143,248 A * 3/1979 Broeksema G11B 3/10
369/256
- D251,558 S * 4/1979 Christie D14/262



(56)

References Cited

U.S. PATENT DOCUMENTS

7,588,223 B2 * 9/2009 Wolvin F16B 2/06
248/229.15
D719,820 S * 12/2014 McGrath D8/382
D736,301 S 8/2015 Oka et al.
D803,182 S * 11/2017 Czaniecki A47G 25/0635
D14/203

* cited by examiner

FIG. 1

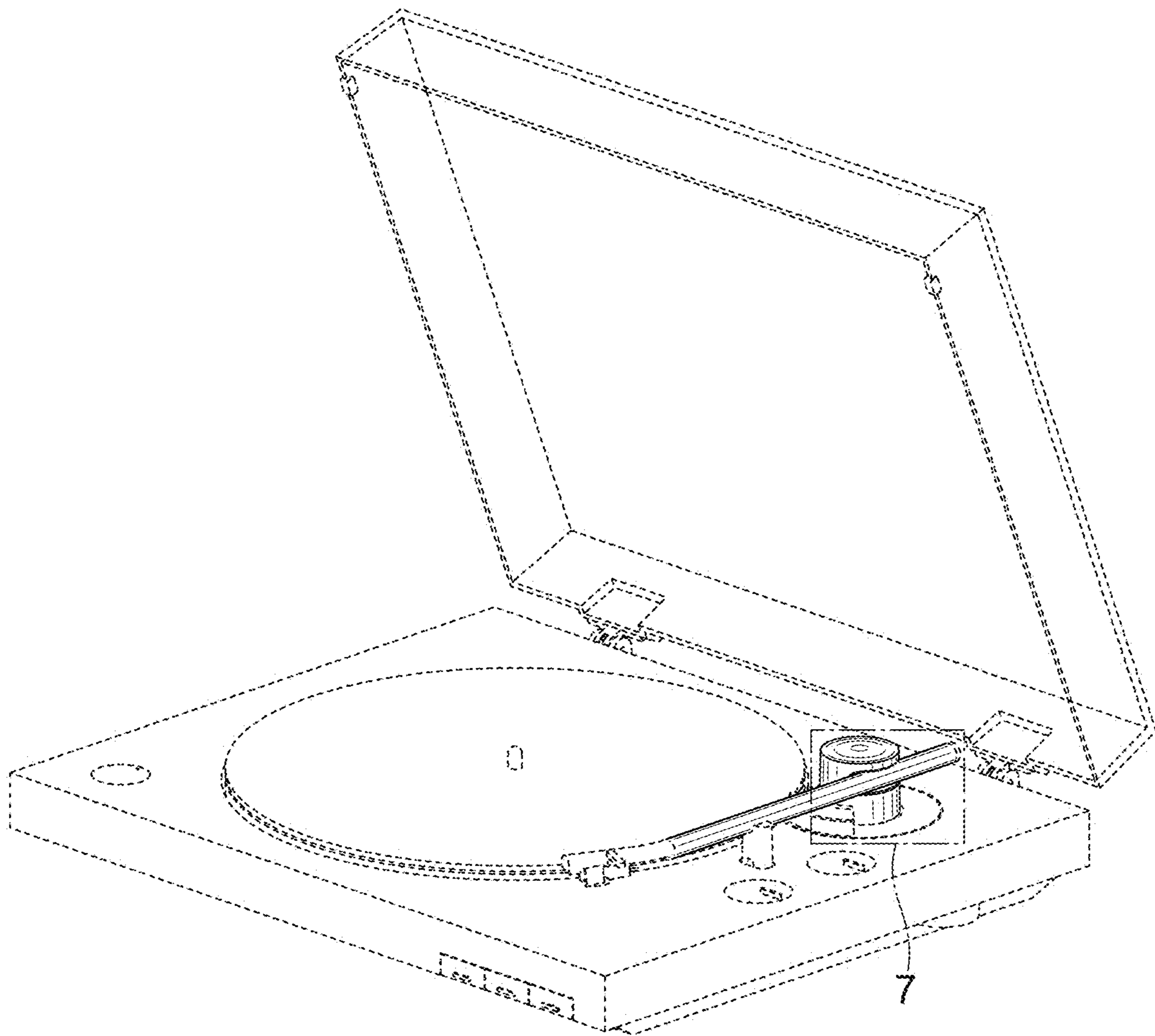


FIG. 2

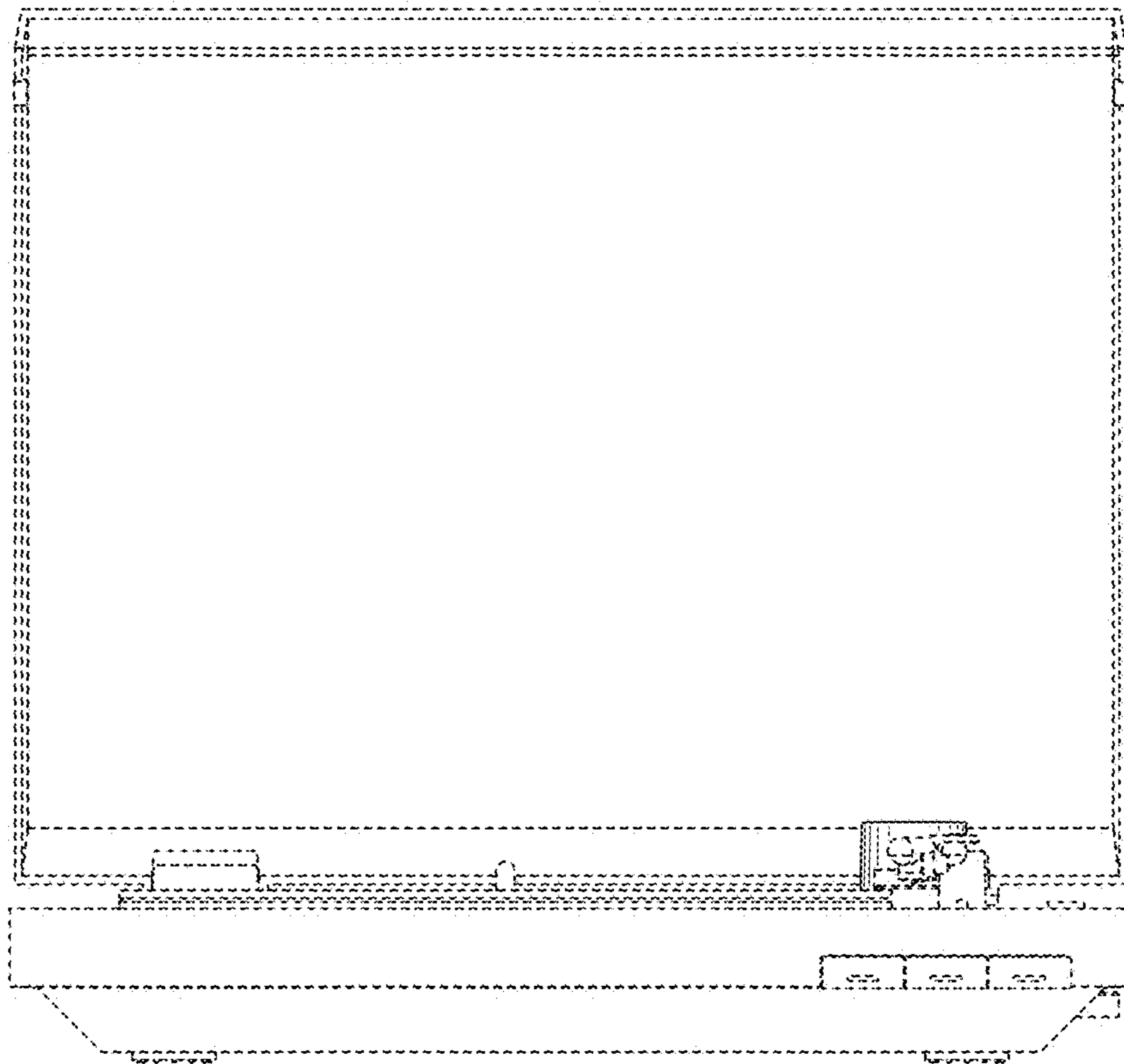


FIG. 3

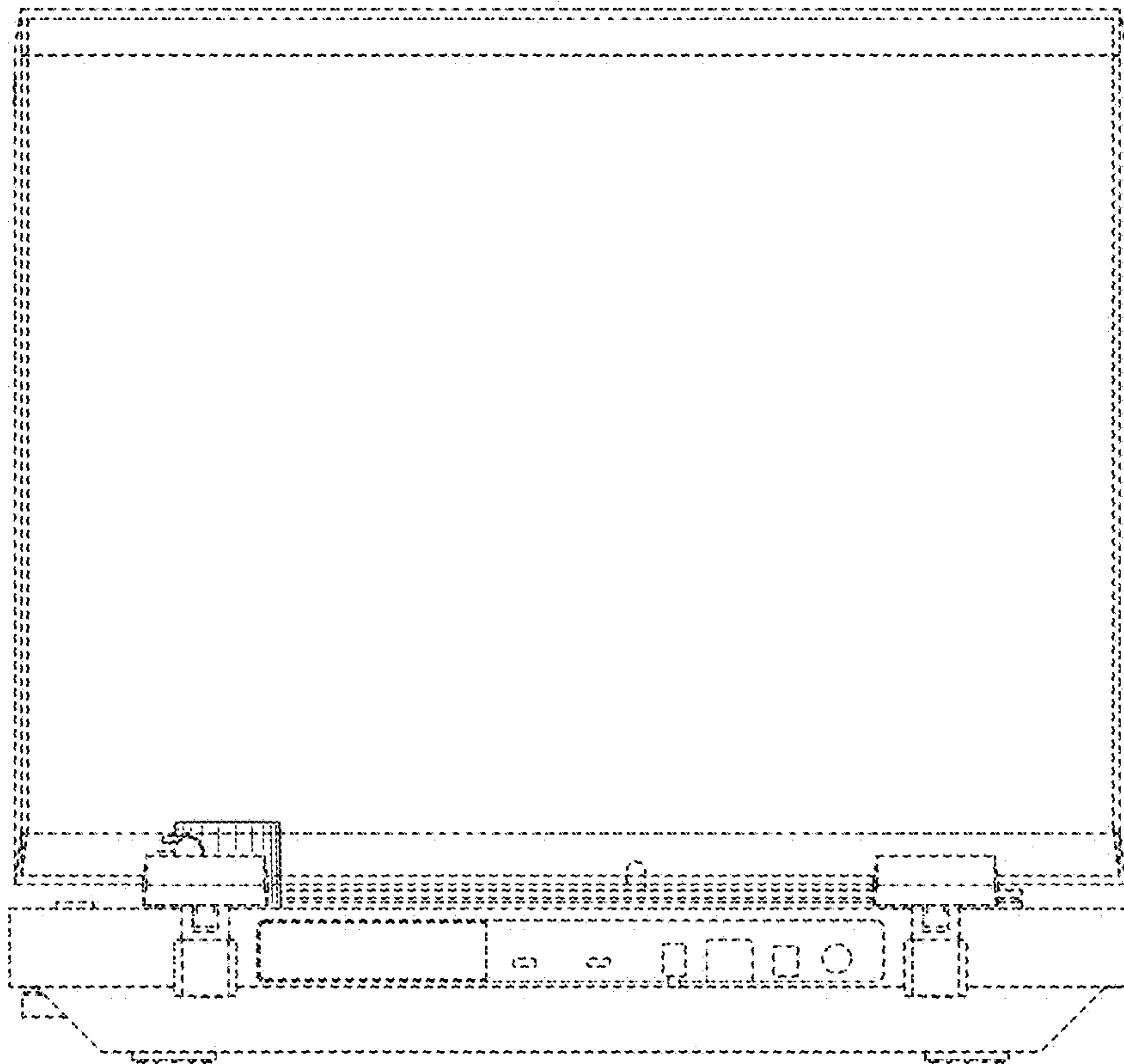


FIG. 4

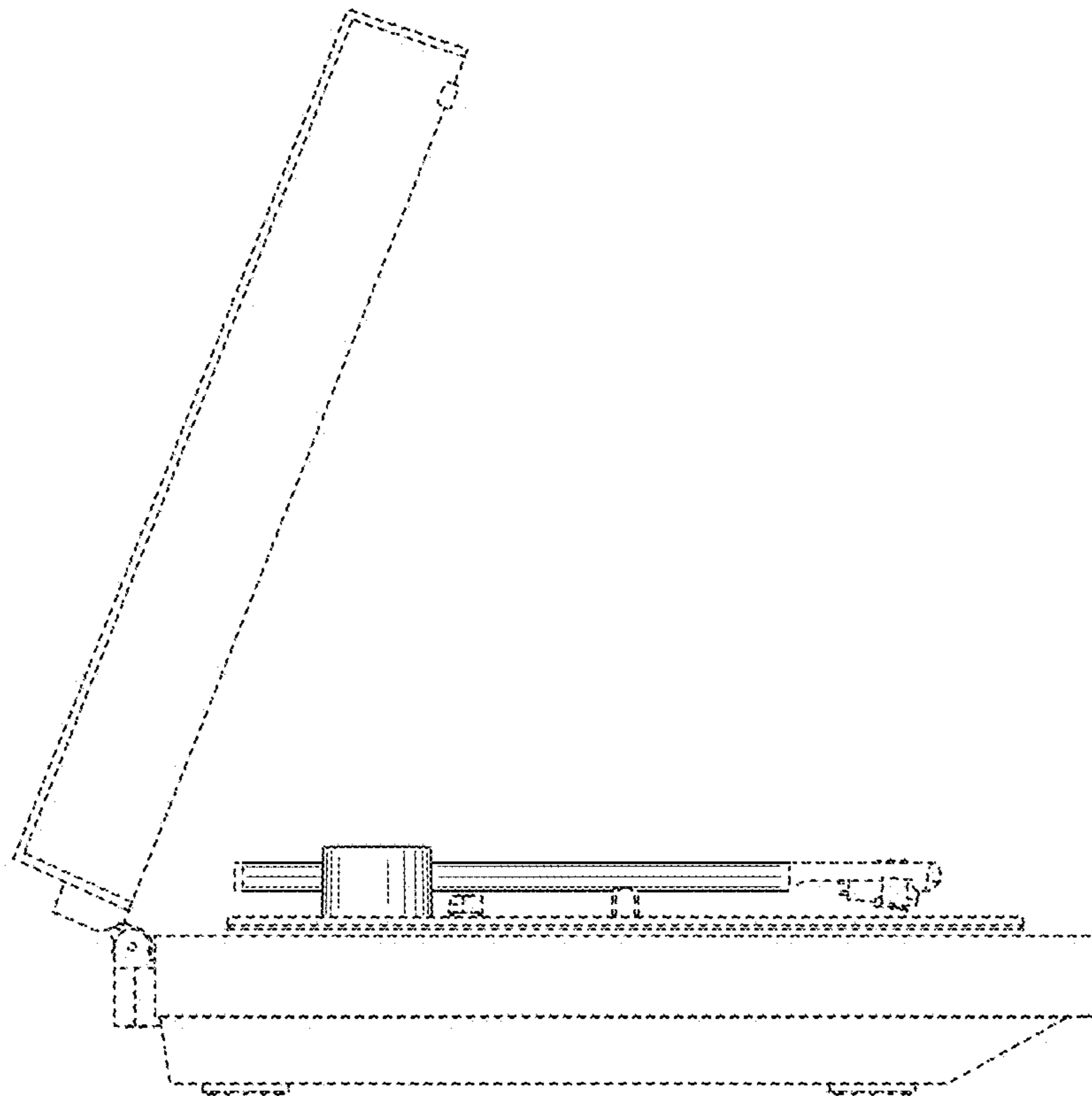


FIG. 5

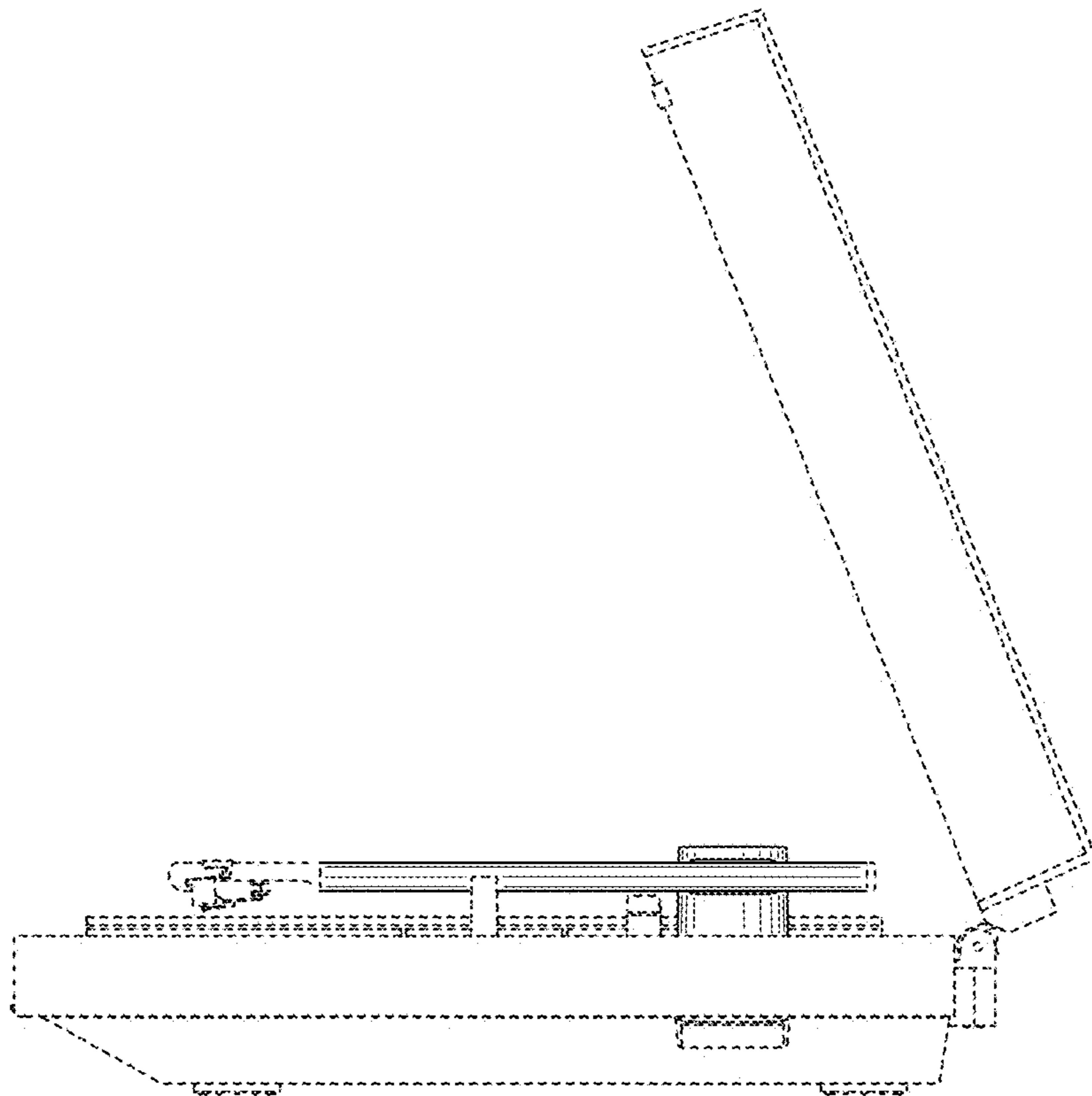


FIG. 6

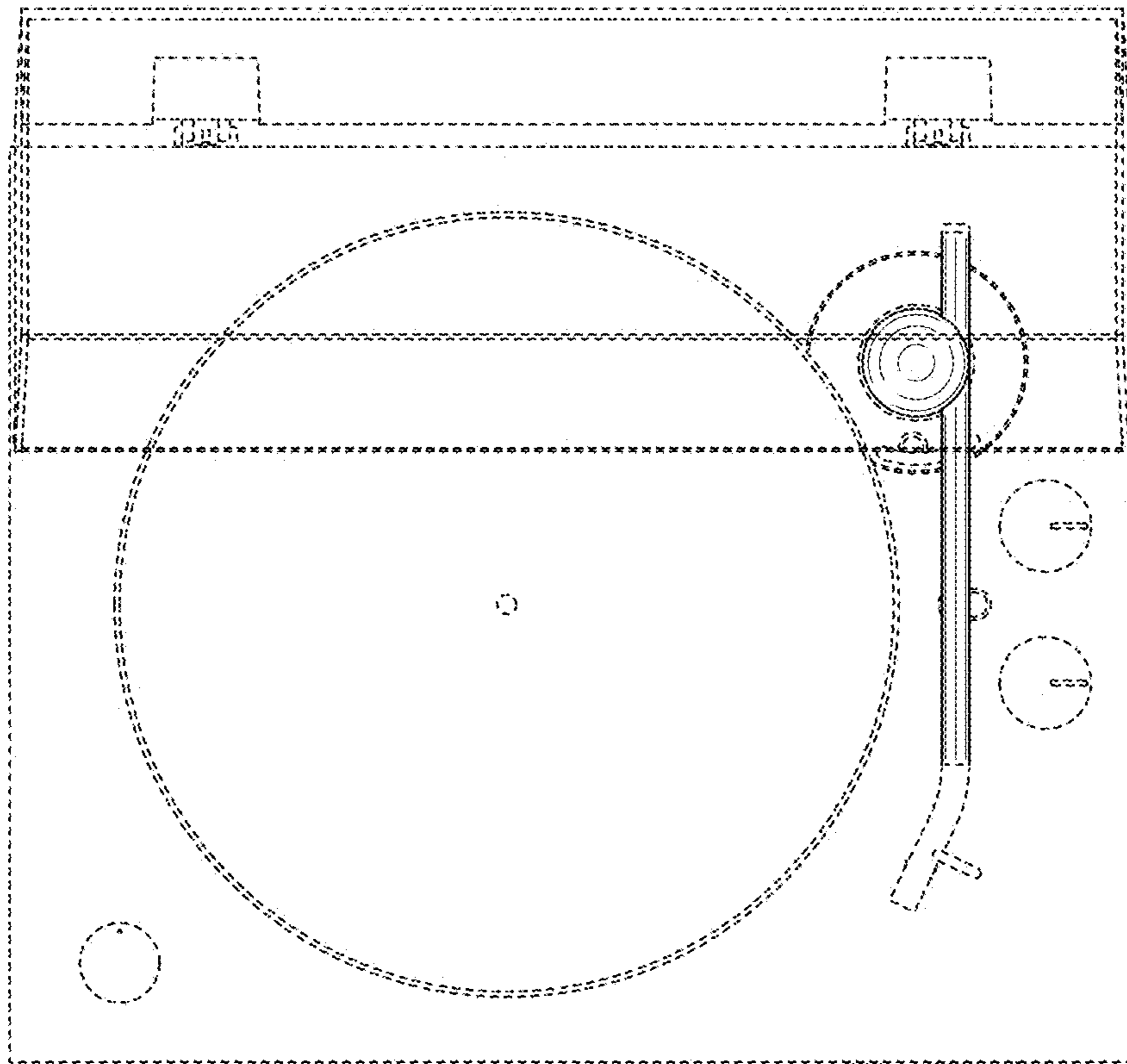


FIG. 7

