



US00D904387S

(12) **United States Design Patent**  
**Zhang et al.**

(10) **Patent No.:** **US D904,387 S**

(45) **Date of Patent:** **\*\* Dec. 8, 2020**

(54) **SUPPORT FOR MOBILE DEVICES**

(71) Applicants: **Qingsen Zhang**, Guangdong (CN);  
**Junling Chen**, Guangdong (CN);  
**Jianqiang Liang**, Guangdong (CN)

(72) Inventors: **Qingsen Zhang**, Guangdong (CN);  
**Junling Chen**, Guangdong (CN);  
**Jianqiang Liang**, Guangdong (CN)

(73) Assignee: **UGREEN GROUP LIMITED**,  
Guangdong (CN)

(\*\*) Term: **15 Years**

(21) Appl. No.: **29/687,299**

(22) Filed: **Apr. 11, 2019**

(51) **LOC (12) Cl.** ..... **14-03**

(52) **U.S. Cl.**  
USPC ..... **D14/253; D14/447**

(58) **Field of Classification Search**  
USPC ..... D14/251–253, 447, 452, 432–434, 440;  
D12/415; D3/218

CPC ..... H04M 1/02; H04M 1/04; B60R 11/02;  
F16M 11/00; F16M 11/04; F16M 11/06;  
F16M 13/02; F16M 13/00; H05K 7/00;  
H05K 5/02; A47G 1/17

See application file for complete search history.

(56) **References Cited**

**U.S. PATENT DOCUMENTS**

D703,676 S \* 4/2014 Smith ..... D14/447  
D720,343 S \* 12/2014 Nichols ..... D14/253

D825,550 S \* 8/2018 Wang ..... D14/253  
D839,869 S \* 2/2019 Wang ..... D14/253  
D840,997 S \* 2/2019 Chen ..... D14/253  
D864,092 S \* 10/2019 Zhang ..... D12/415  
D865,747 S \* 11/2019 Sage ..... D14/253  
D872,014 S \* 1/2020 Zhang ..... D13/108  
D879,090 S \* 3/2020 Chung ..... D14/253  
D884,711 S \* 5/2020 Zhang ..... D14/447

\* cited by examiner

*Primary Examiner* — Janice Hallmark

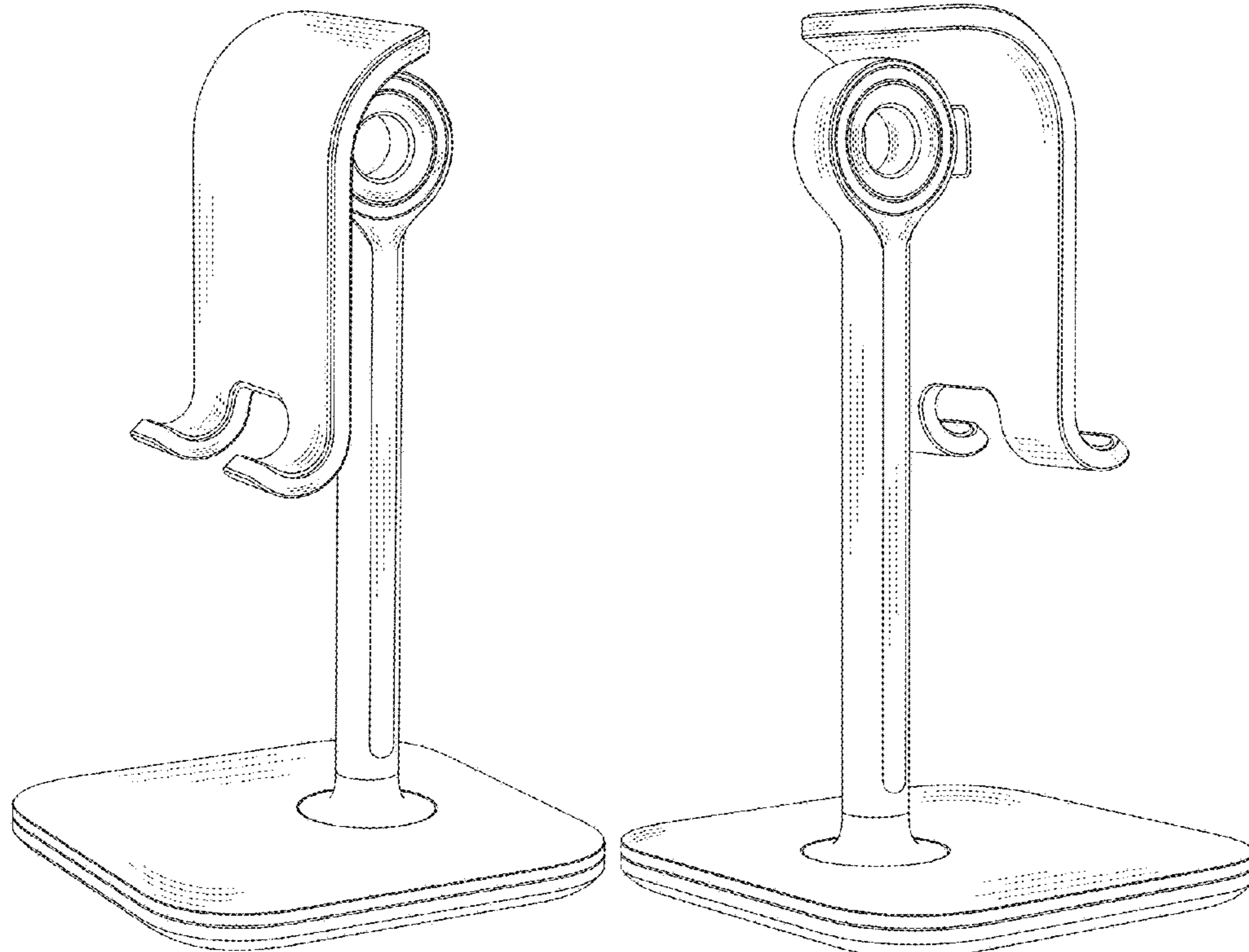
(57) **CLAIM**

We claim the ornamental design for the support for mobile devices, as shown and described.

**DESCRIPTION**

FIG. 1 is a perspective view of a support for mobile devices showing my new design;  
FIG. 2 is a front elevational view thereof;  
FIG. 3 is a rear elevational view thereof;  
FIG. 4 is a left side elevational view thereof;  
FIG. 5 is a right side elevational view thereof;  
FIG. 6 is a top plan view thereof;  
FIG. 7 is a bottom plan view thereof; and,  
FIG. 8 is another perspective view thereof.

**1 Claim, 8 Drawing Sheets**



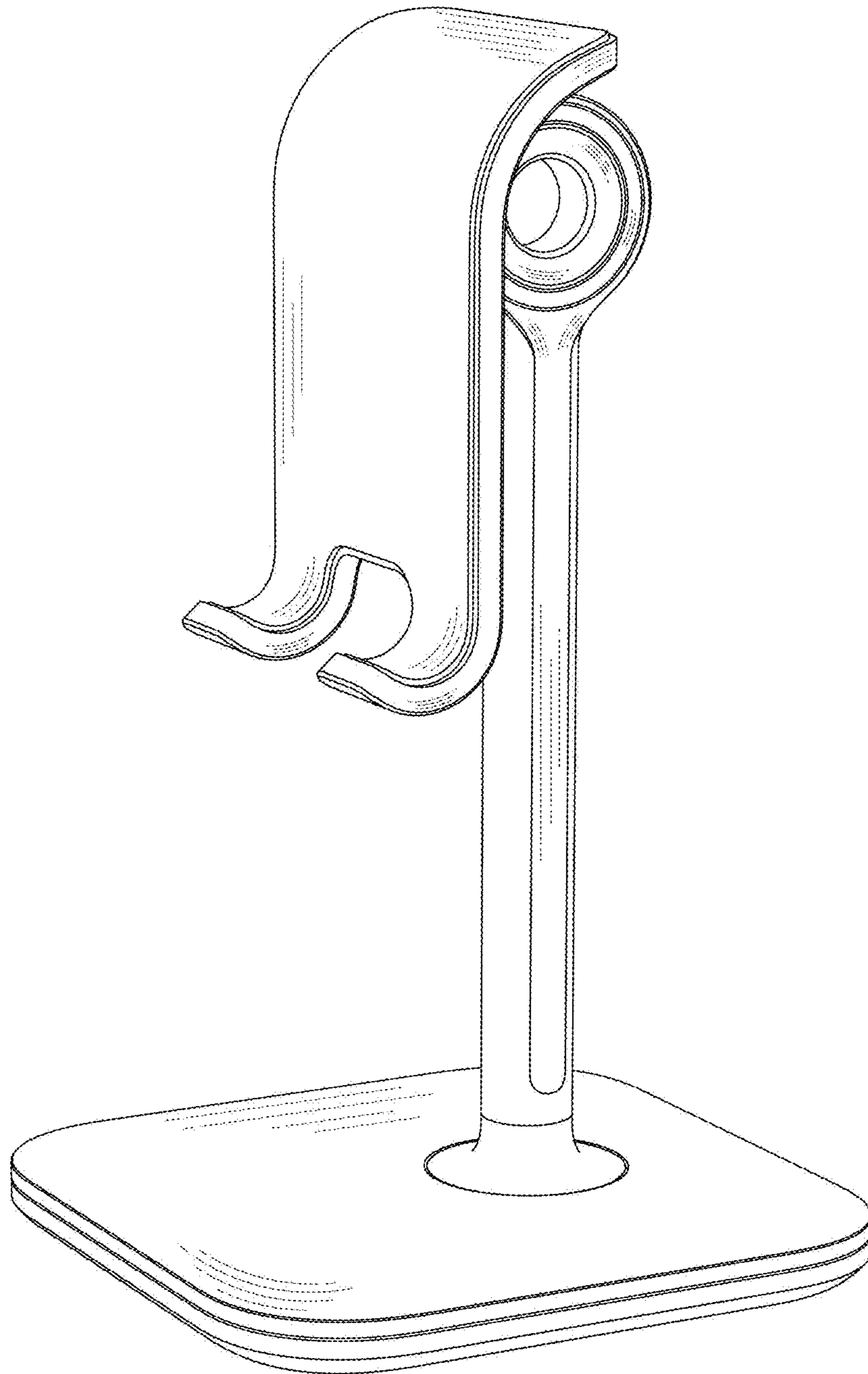


FIG. 1

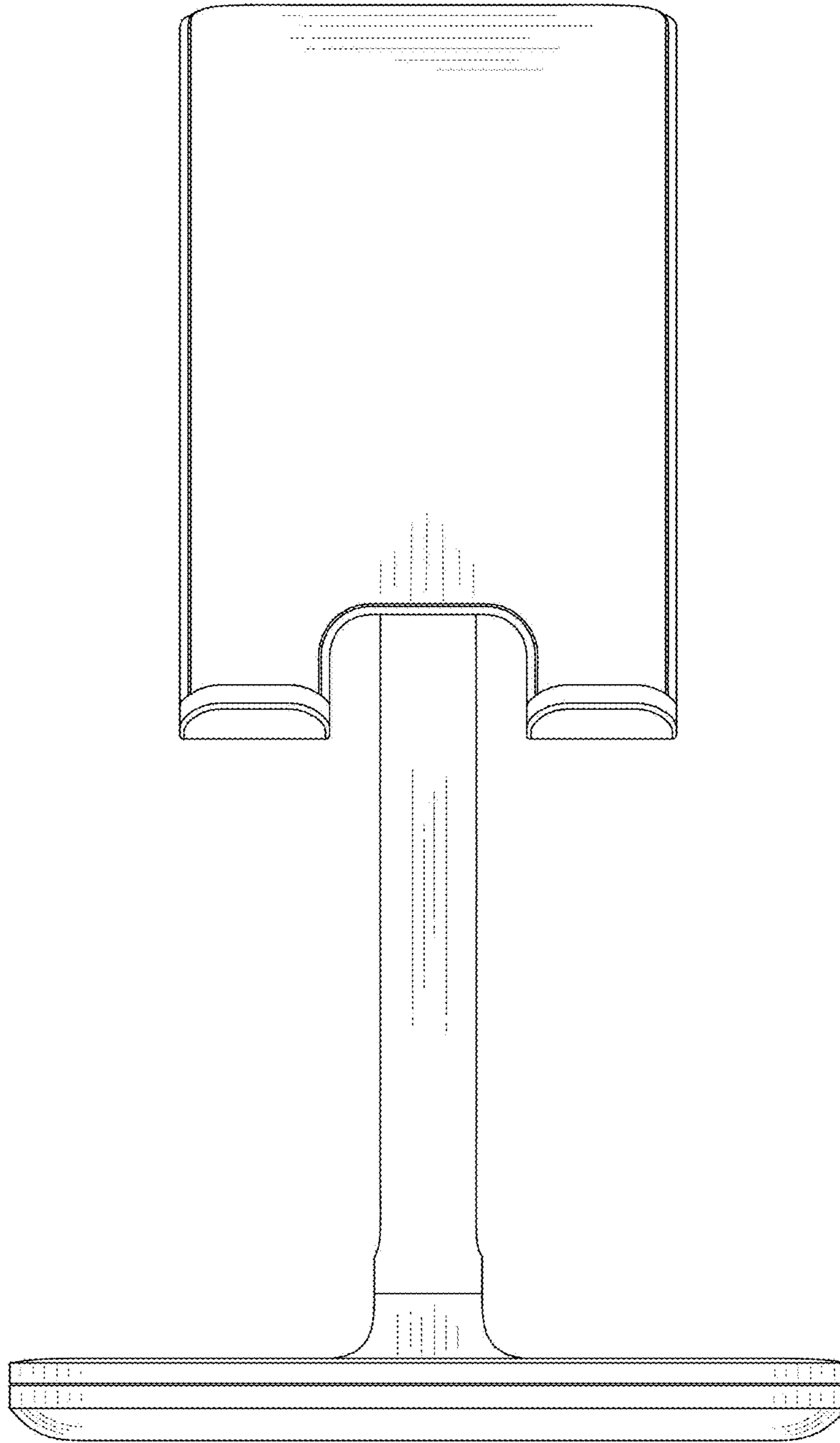


FIG. 2

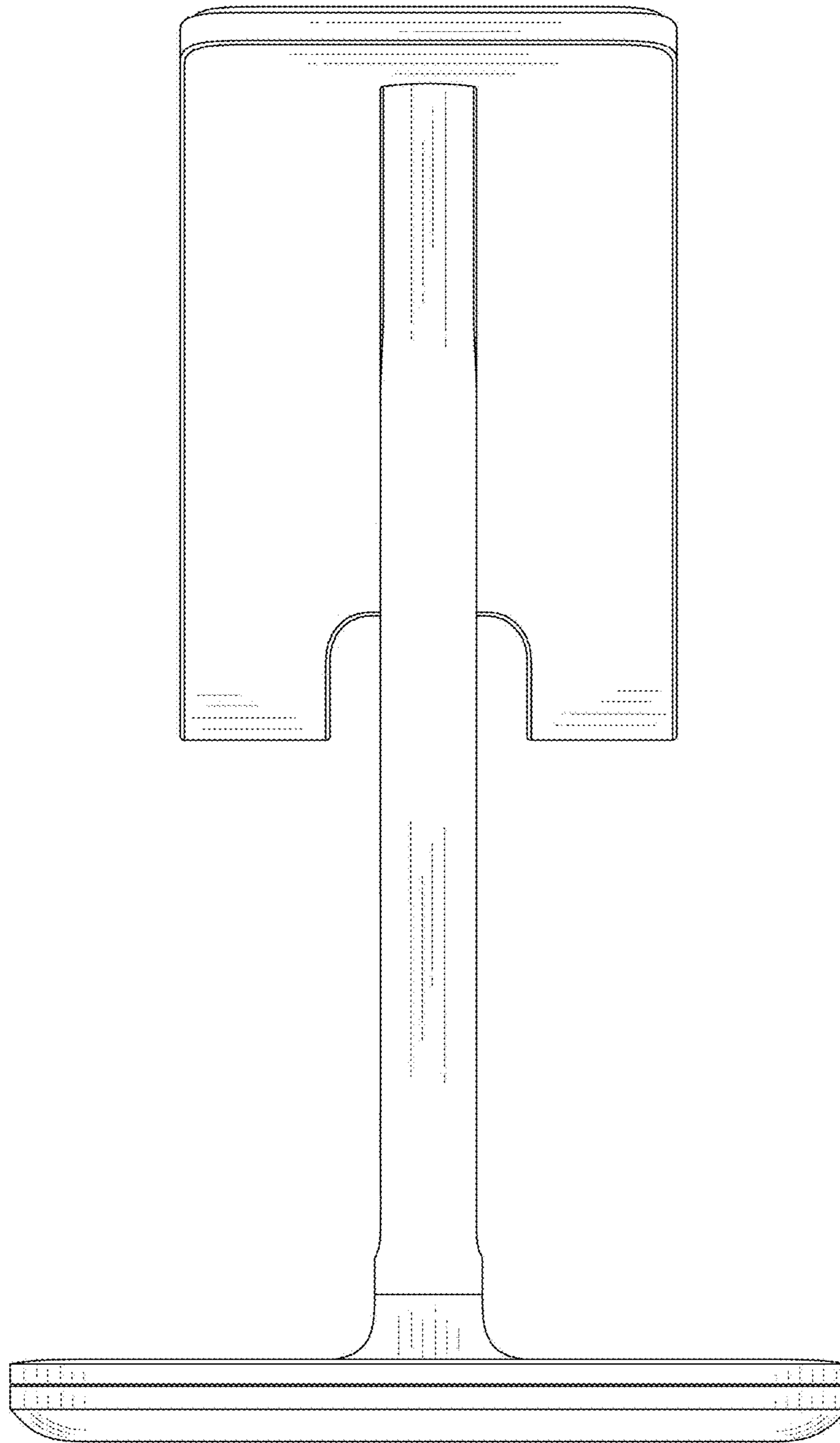


FIG. 3

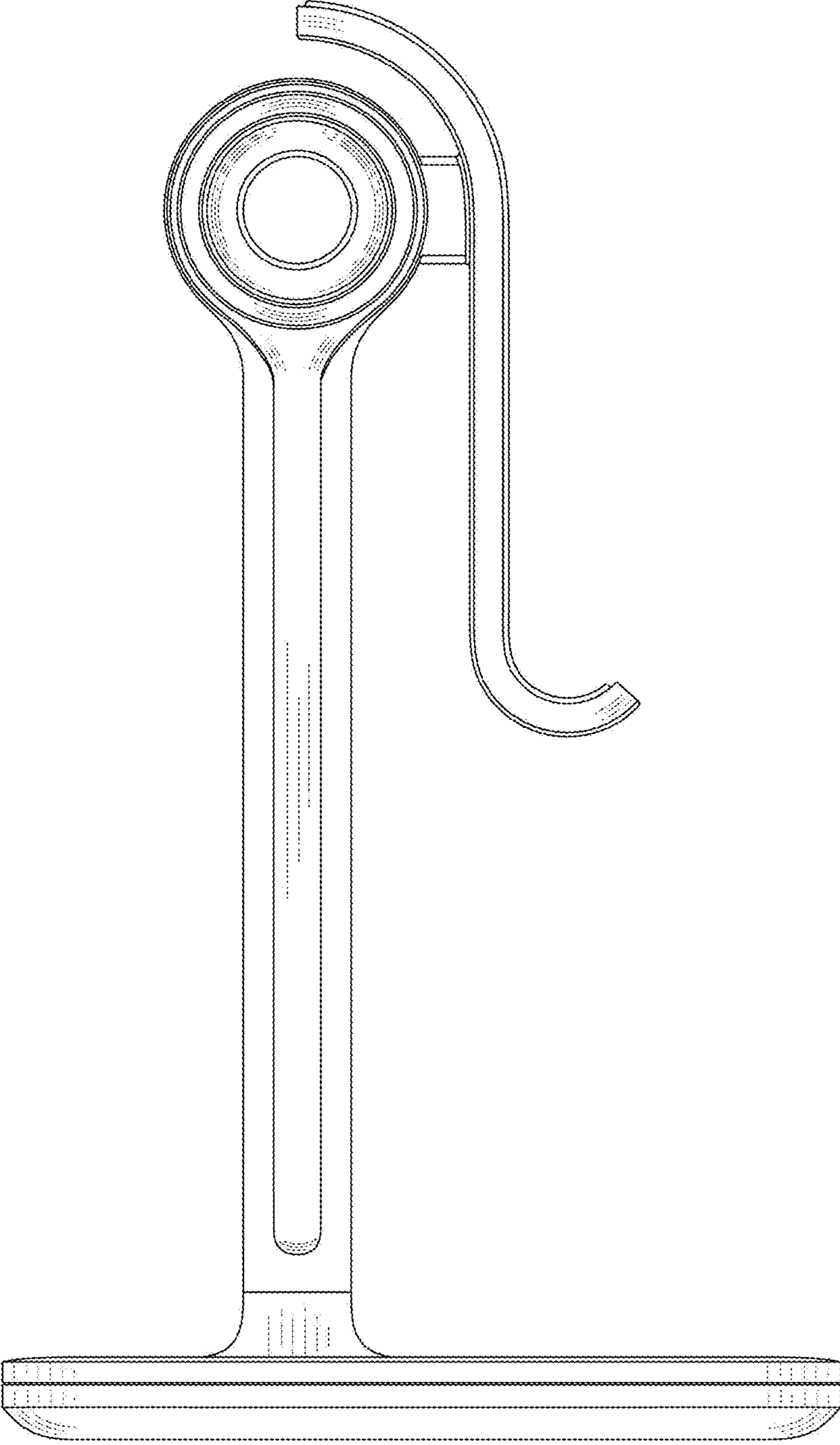


FIG. 4

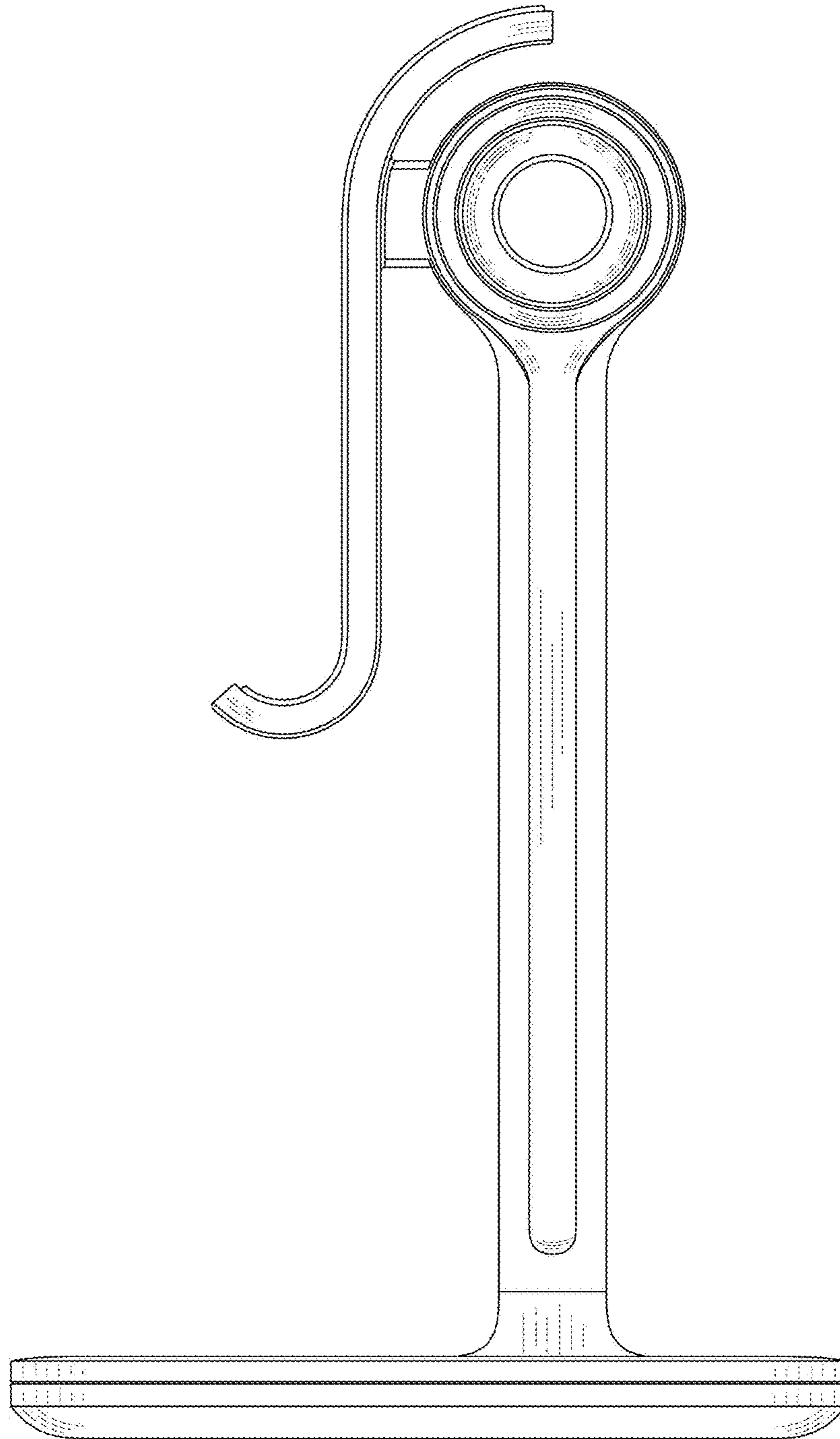


FIG. 5

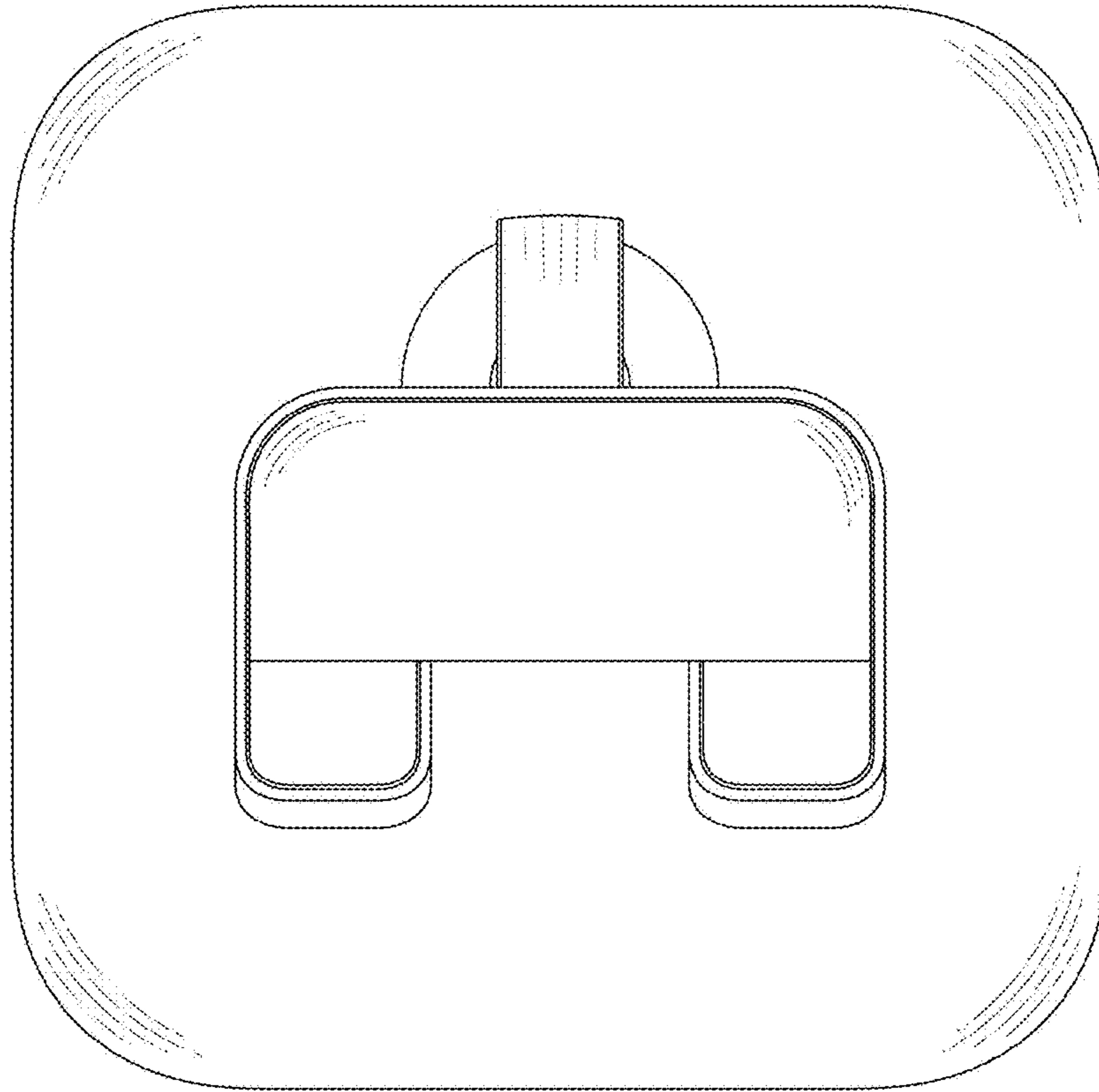


FIG. 6

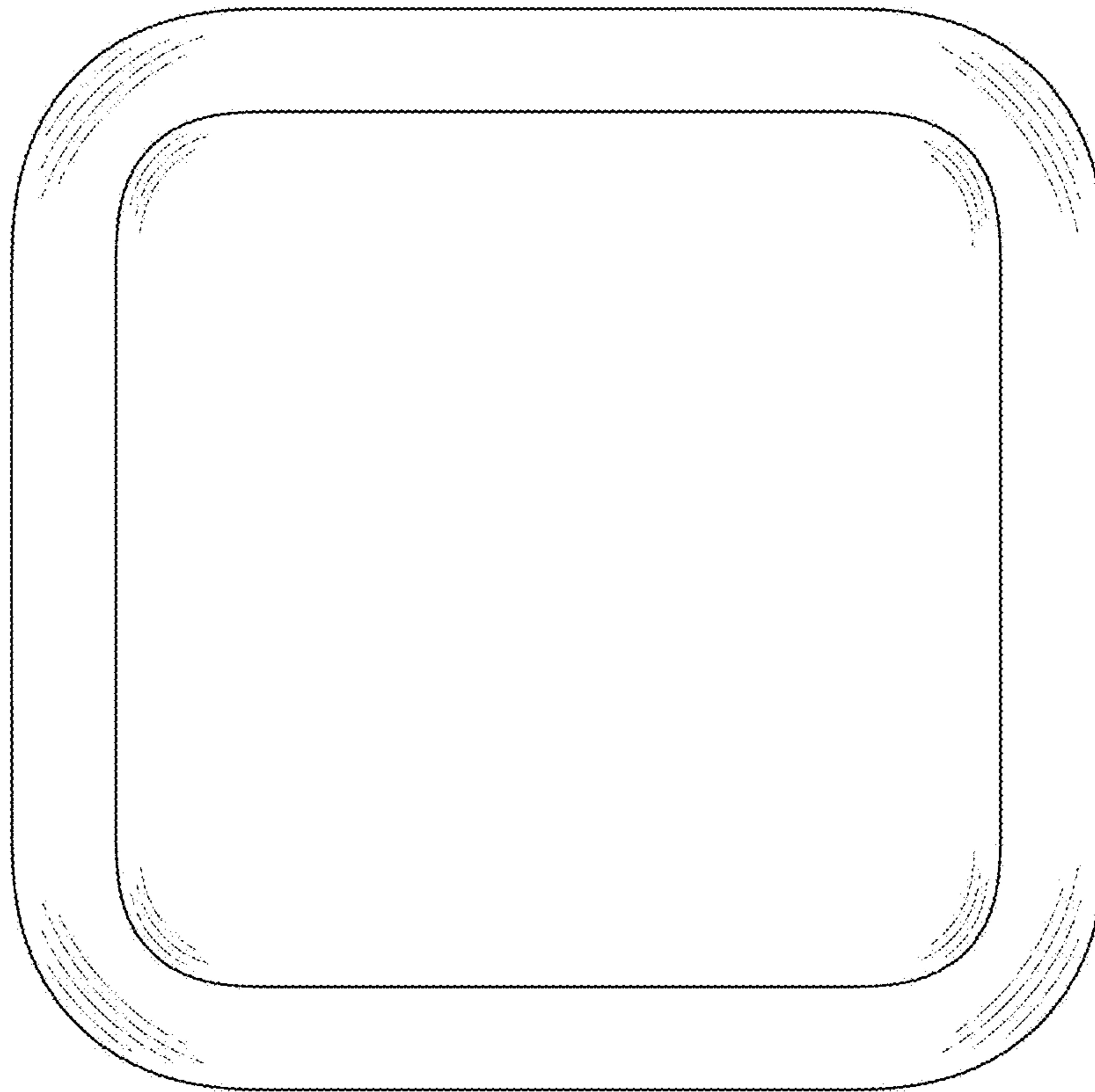


FIG. 7



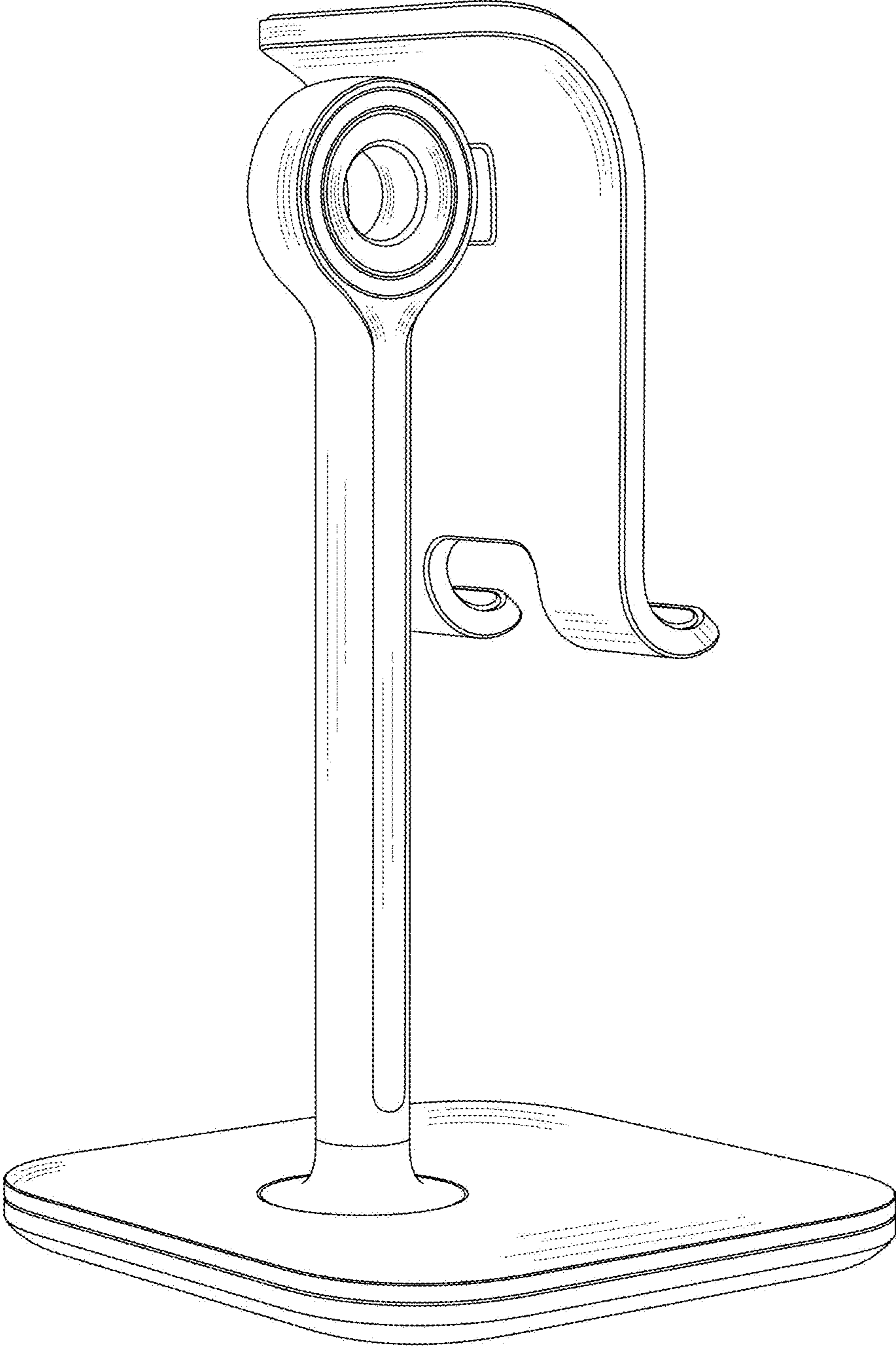


FIG. 8