



US00D904386S

(12) **United States Design Patent**
Luo

(10) **Patent No.:** **US D904,386 S**

(45) **Date of Patent:** **** Dec. 8, 2020**

(54) **MULTIFUNCTIONAL CAR AIR VENT
MOUNT PHONE RING**

(71) Applicant: **Xu Yu Luo**, Guangdong (CN)

(72) Inventor: **Xu Yu Luo**, Guangdong (CN)

(73) Assignee: **Dongguan Weltron Intelligence
Technology Co., Ltd.**, Guangdong
(CN)

(**) Term: **15 Years**

(21) Appl. No.: **29/685,150**

(22) Filed: **Mar. 26, 2019**

(51) **LOC (12) Cl.** **14-03**

(52) **U.S. Cl.**
USPC **D14/253**; D3/218

(58) **Field of Classification Search**
USPC D14/217, 251–253, 447, 452, 432–434,
D14/440; D12/415; D3/218; D8/349,
D8/363, 394–396
CPC H04M 1/02; H04M 1/04; B60R 11/02;
F16M 11/00; F16M 11/04; F16M 11/06;
F16M 13/02; F16M 13/00; H05K 7/00;
H05K 5/02; A47G 1/17

See application file for complete search history.

(56) **References Cited**

U.S. PATENT DOCUMENTS

D608,541 S *	1/2010	Myers	D3/215
D660,305 S *	5/2012	Ho	D14/447
8,950,715 B2 *	2/2015	Chiu	F16M 11/041 248/126
D737,264 S *	8/2015	Shamsadov	D14/251
D747,321 S *	1/2016	London	D14/440
D749,069 S *	2/2016	Senoff	D14/251
D749,083 S *	2/2016	Senoff	D14/451

D753,912 S *	4/2016	Spero	A45F 5/021 D3/218
9,421,920 B2 *	8/2016	Jang	B60R 11/00
D765,662 S *	9/2016	Kang	D14/439
D768,635 S *	10/2016	Due	D14/432
D775,619 S *	1/2017	Tien	D14/250
D782,488 S *	3/2017	Kim	D14/447
D782,489 S *	3/2017	Kim	D14/447
9,772,063 B2 *	9/2017	Kilgore	H04N 5/2257
D809,449 S *	2/2018	Zhang	D12/415
D811,412 S *	2/2018	McCurdy	D14/440
D812,563 S *	3/2018	Akana	D13/108
D815,086 S *	4/2018	Jeon	D14/251
D825,572 S *	8/2018	Kim	D14/447
D826,705 S *	8/2018	Zhou	D8/401
D829,722 S *	10/2018	Kim	D14/447
10,117,505 B1 *	11/2018	Alvarez	A45F 5/10
D837,781 S *	1/2019	Ingram	D14/250
D844,598 S *	4/2019	Jang	D14/251
D850,455 S *	6/2019	Cheng	D14/440

(Continued)

Primary Examiner — Janice Hallmark

(57) **CLAIM**

The ornamental design for a multifunctional car air vent mount phone ring, as shown and described.

DESCRIPTION

FIG. 1 is a perspective view generally taken from one side of a multifunctional car air vent mount phone ring showing the design;

FIG. 2 is a front elevational view thereof;

FIG. 3 is a rear elevational view thereof;

FIG. 4 is a left side elevational view thereof;

FIG. 5 is a right side elevational view thereof;

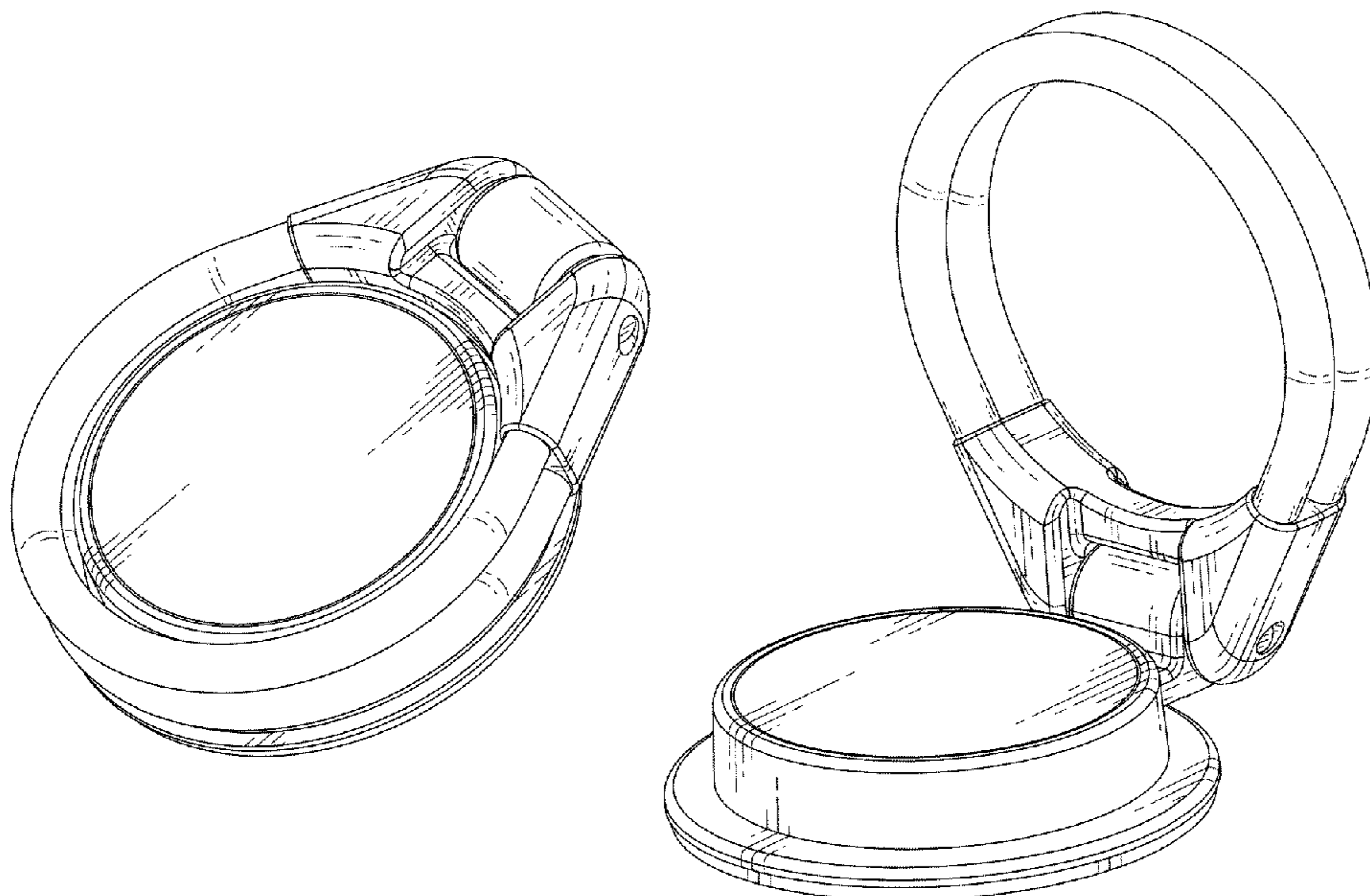
FIG. 6 is a top plan view thereof;

FIG. 7 is a bottom plan view thereof;

FIG. 8 is another perspective view thereof; and,

FIG. 9 is a perspective view showing the multifunctional car air vent mount phone ring of FIG. 1 in an open position.

1 Claim, 7 Drawing Sheets



(56)

References Cited

U.S. PATENT DOCUMENTS

D855,048 S * 7/2019 Kim D14/253
D855,049 S * 7/2019 Kim D14/253
D857,688 S * 8/2019 Ren D14/253
D861,333 S * 10/2019 Feng D3/218
D863,280 S * 10/2019 Aloe D14/250
D866,546 S * 11/2019 Stillwell D14/253
D885,376 S * 5/2020 He D14/253
D892,491 S * 8/2020 Feng D3/201
2001/0040202 A1* 11/2001 Adams, IV A47K 1/09
248/206.2
2004/0177647 A1* 9/2004 Dennis A44C 17/0208
63/29.1
2011/0084081 A1* 4/2011 Chung A45C 13/26
220/628
2011/0284599 A1* 11/2011 Sternick A45F 5/00
224/191
2012/0048873 A1* 3/2012 Hyseni A45F 5/00
220/752
2013/0170110 A1* 7/2013 Lee G06F 1/1626
361/679.01
2015/0257288 A1* 9/2015 Livernois H04M 1/04
248/346.06
2015/0312389 A1* 10/2015 Curran H04M 1/0281
455/575.6
2016/0076692 A1* 3/2016 Sun F16M 11/24
248/461
2016/0353867 A1* 12/2016 Due A45F 5/00
2017/0055660 A1* 3/2017 Tien A45C 11/00
2018/0220782 A1* 8/2018 Mody A45F 5/00

* cited by examiner

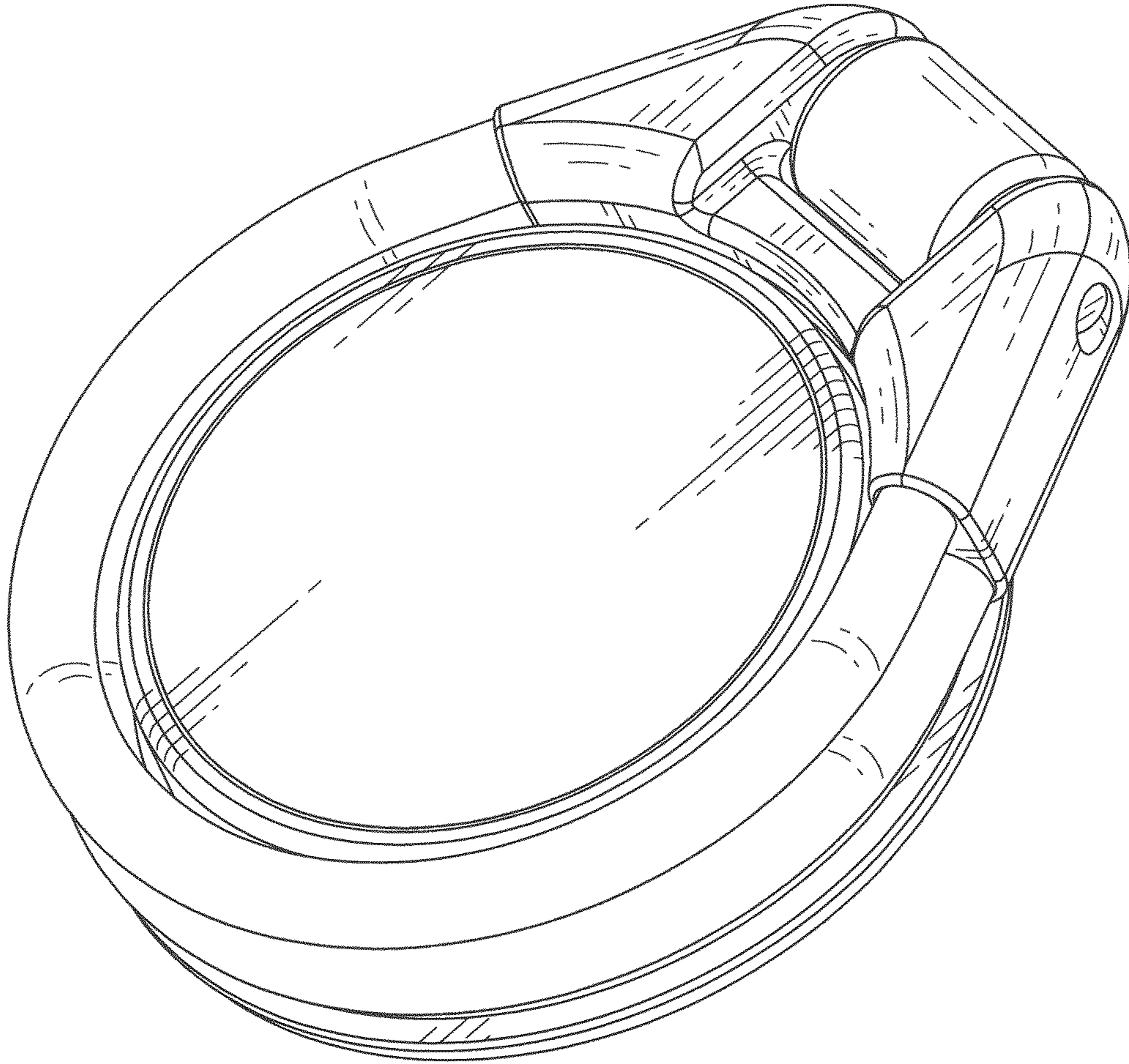


FIG.1

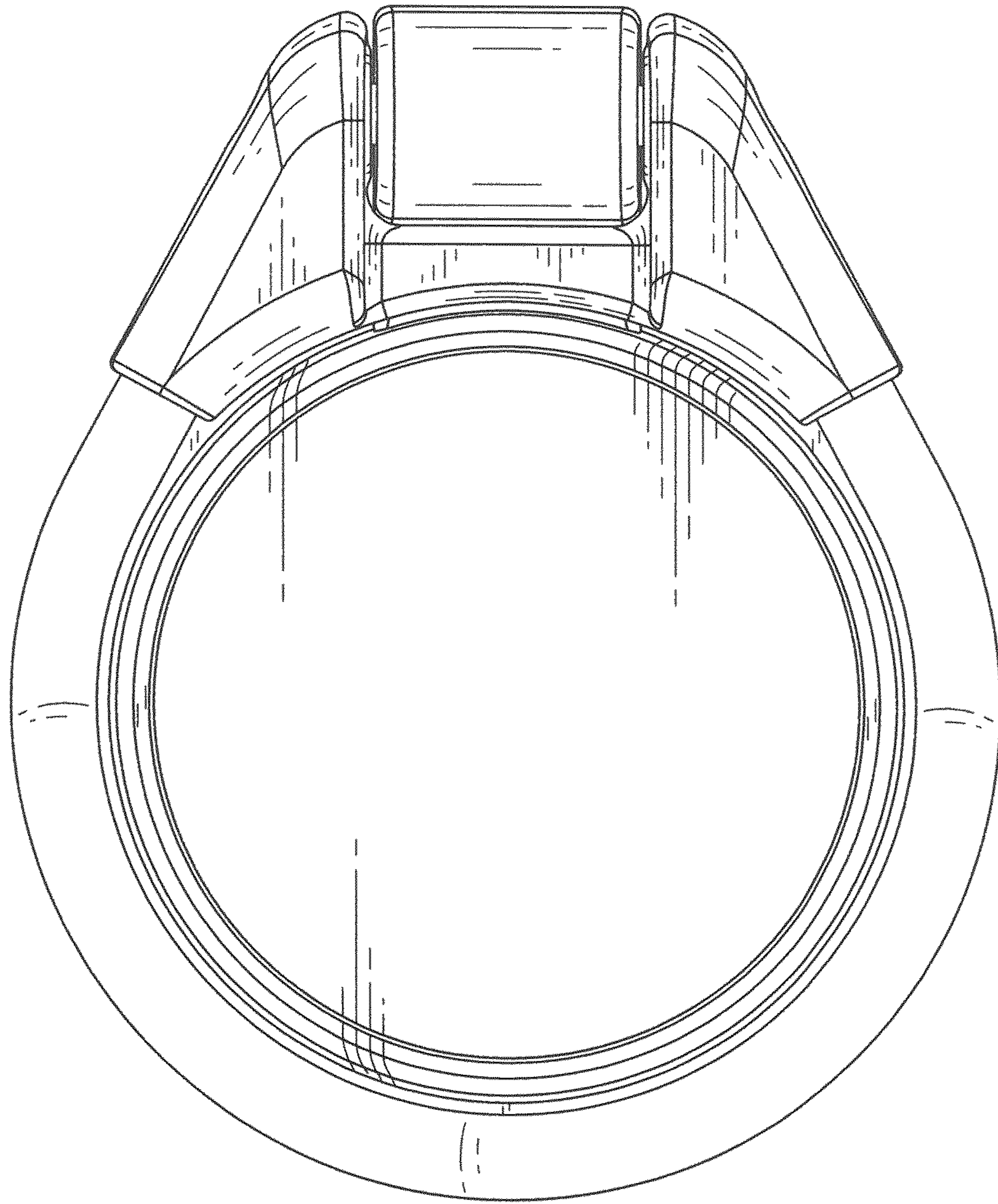


FIG.2

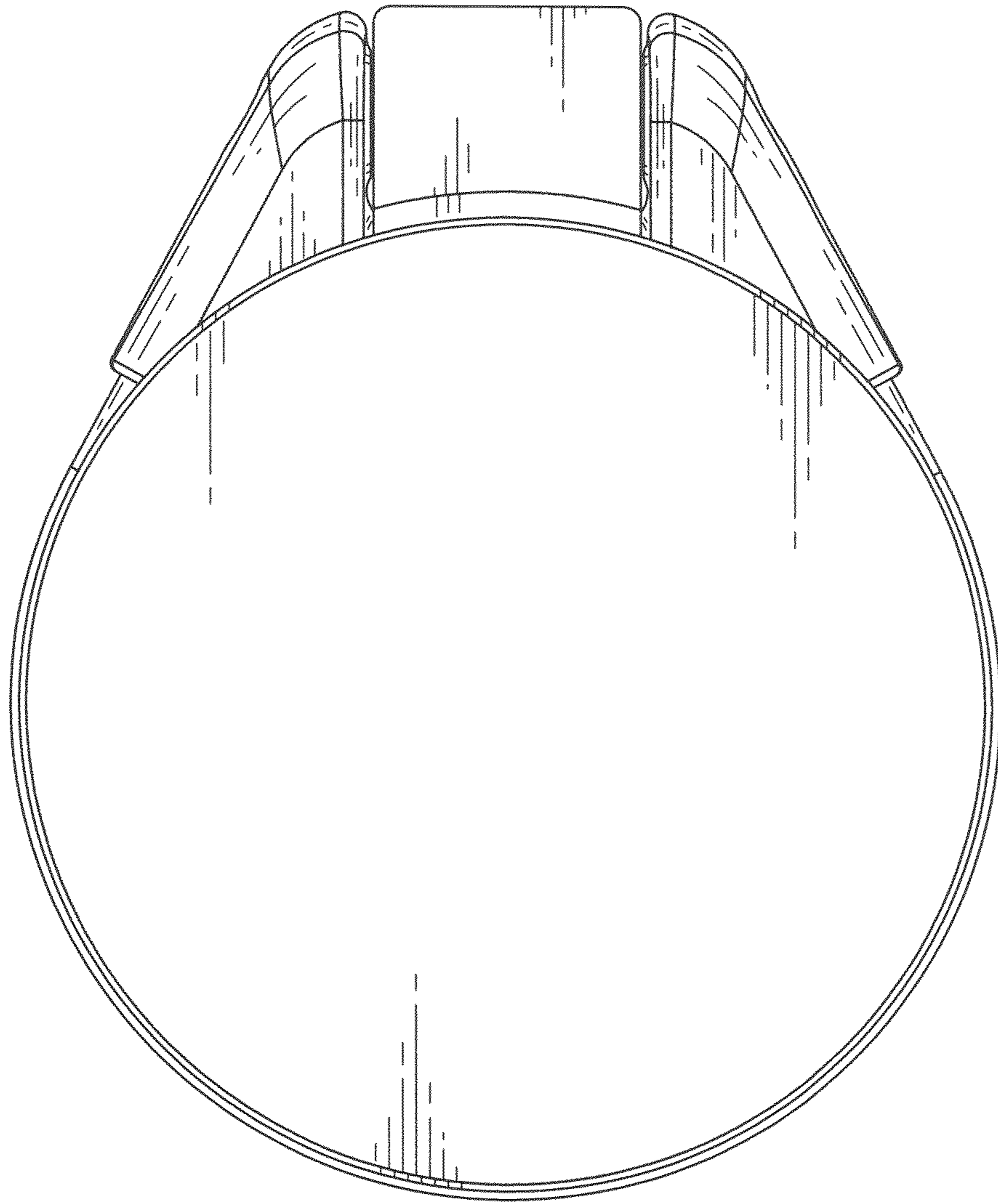


FIG.3

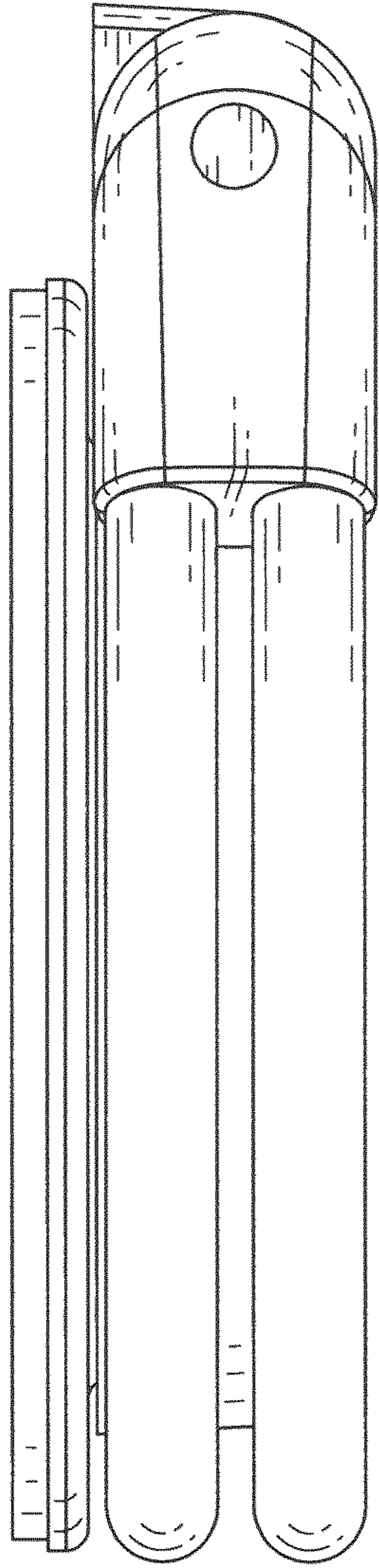


FIG. 4

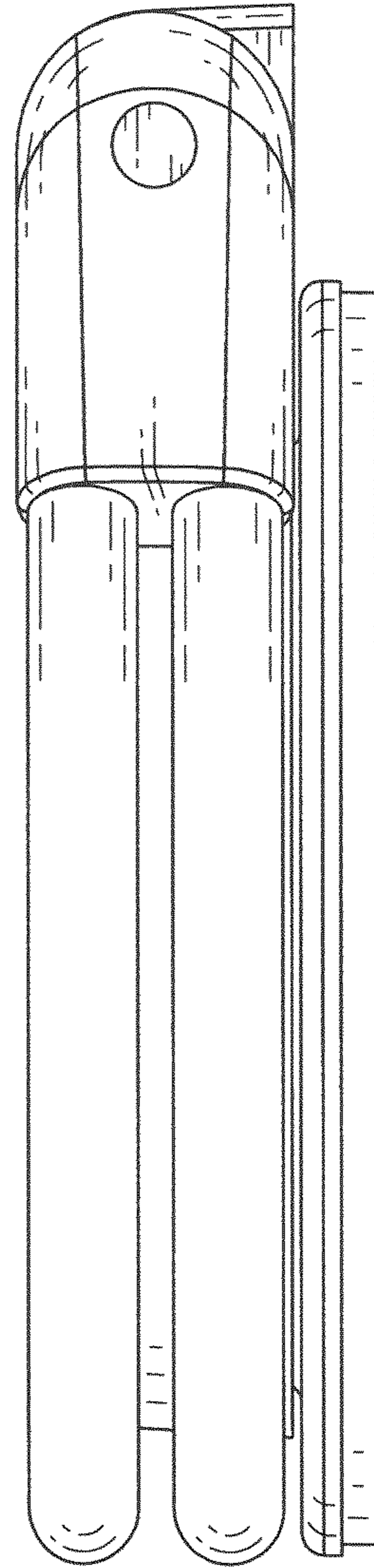


FIG. 5

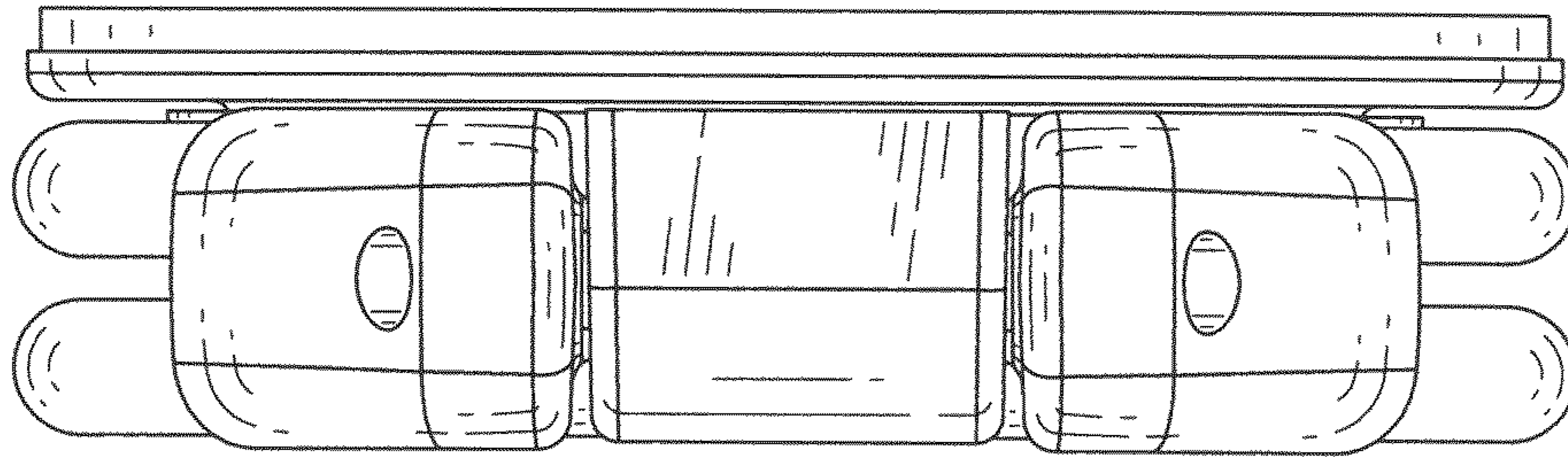


FIG. 6

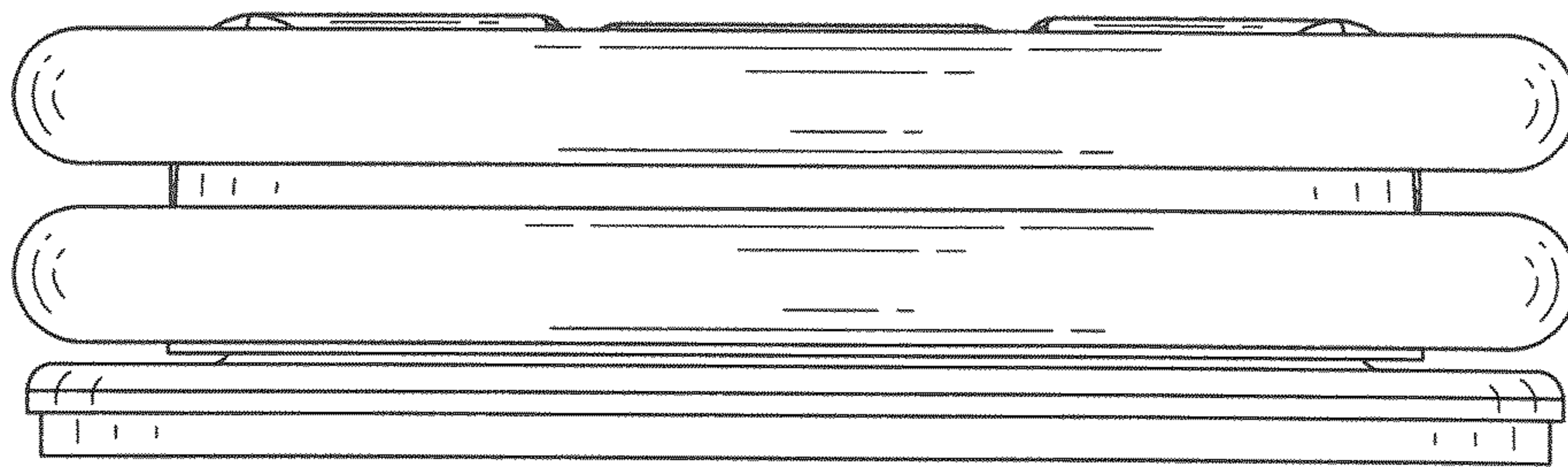


FIG. 7

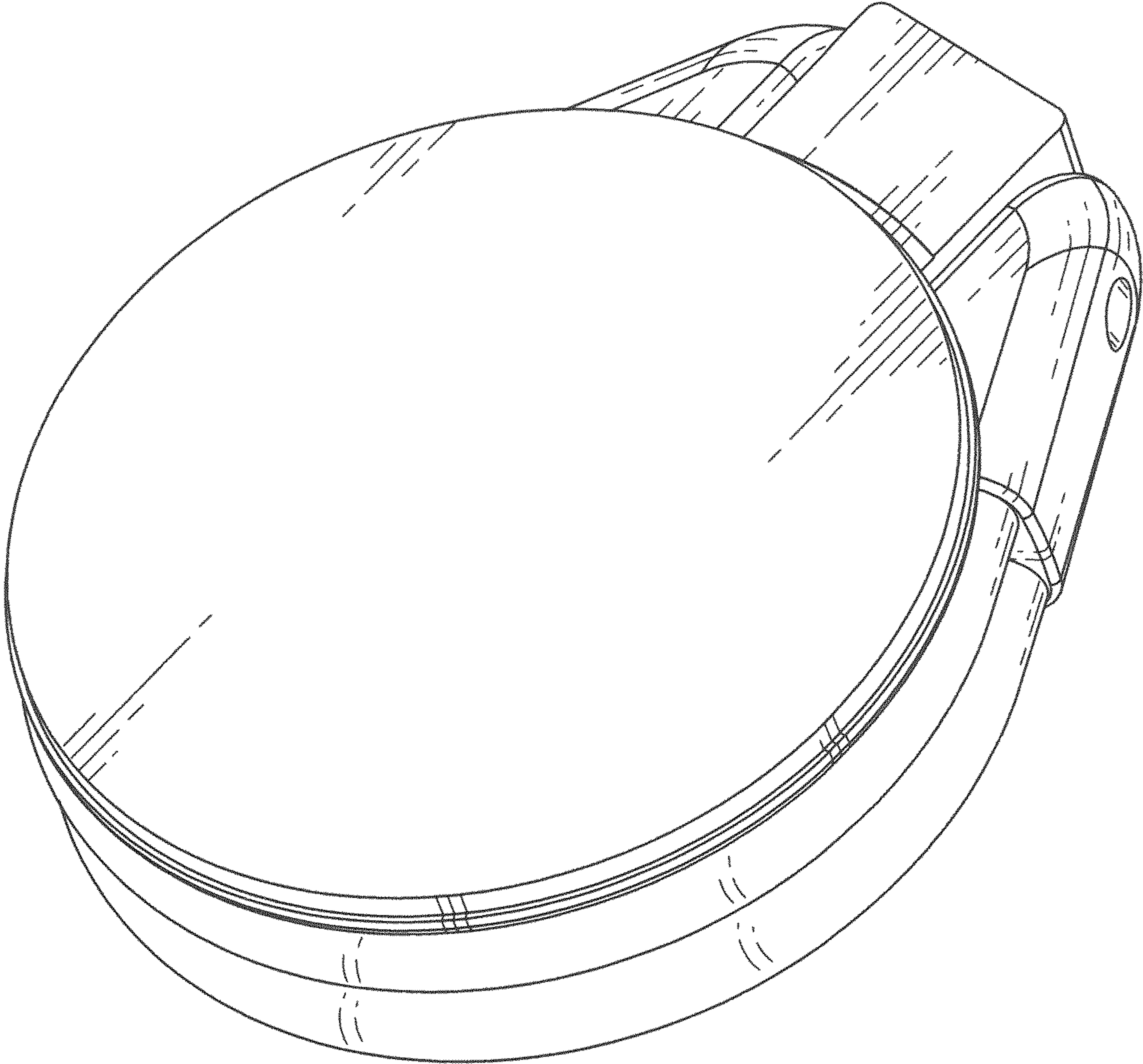


FIG. 8

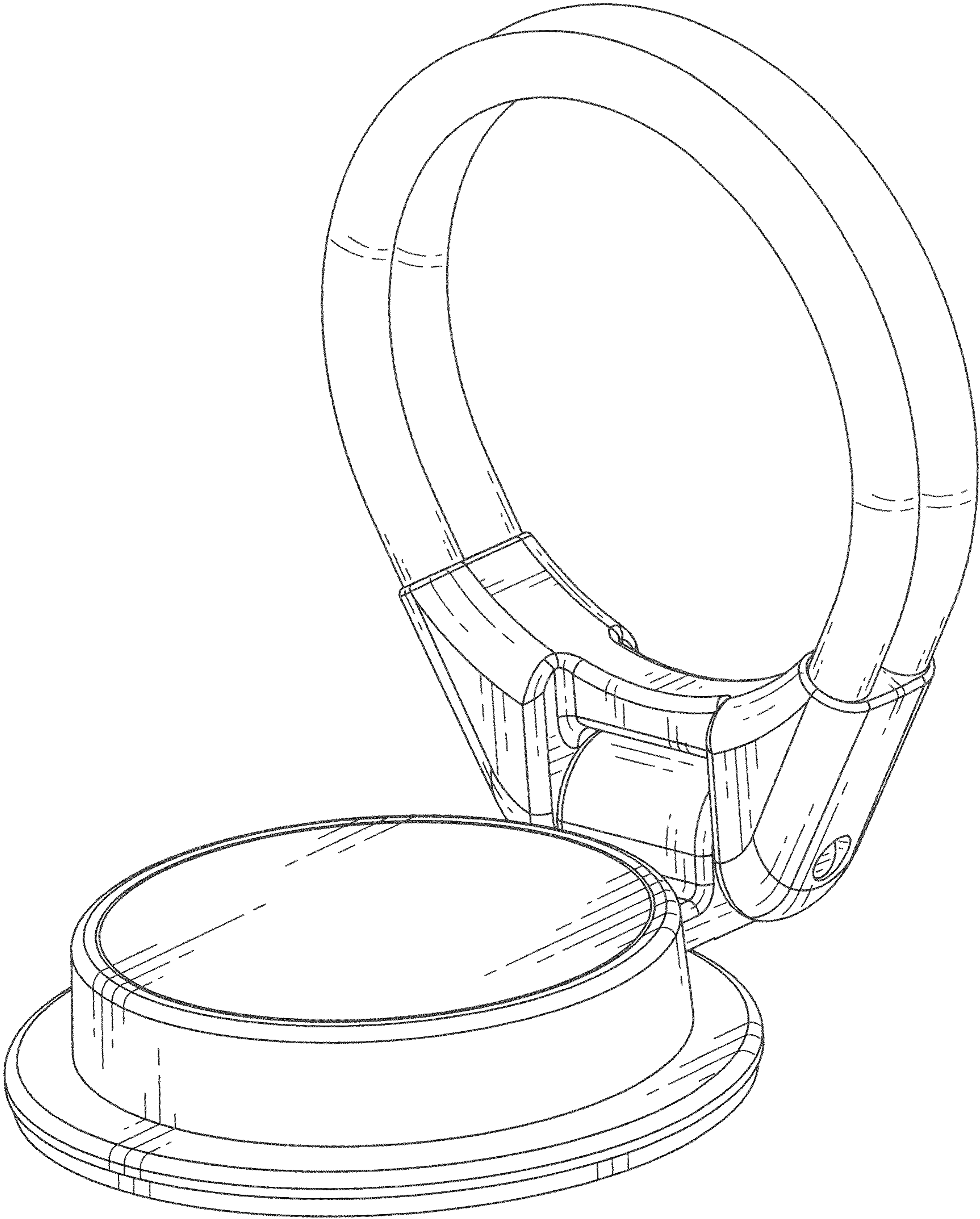


FIG.9