



US00D904379S

(12) **United States Design Patent** (10) **Patent No.:** **US D904,379 S**
Seo et al. (45) **Date of Patent:** **** *Dec. 8, 2020**

(54) **MOBILE PHONE**
(71) Applicant: **Samsung Electronics Co., Ltd.**,
Suwon-si (KR)
(72) Inventors: **Jae-Hun Seo**, Suwon-si (KR);
Won-Kyu Sung, Seongnam-si (KR)
(73) Assignee: **SAMSUNG ELECTRONICS CO.,**
LTD., Suwon-si (KR)
(*) Notice: This patent is subject to a terminal dis-
claimer.
(**) Term: **15 Years**
(21) Appl. No.: **29/716,714**

D607,865 S * 1/2010 Lee D14/138 AD
D613,722 S * 4/2010 Kaneta D14/138 G
D627,343 S * 11/2010 Andre D14/203.7
D639,805 S * 6/2011 Song D14/138 G
D645,015 S * 9/2011 Lee D14/138 G
D645,833 S * 9/2011 Seflic D14/138 G
D654,464 S * 2/2012 Han D14/138 G
D660,274 S * 5/2012 Lee D14/138 G
D668,238 S * 10/2012 Kim D14/138 G
D680,524 S * 4/2013 Feng D14/341
D692,845 S * 11/2013 Cho D14/138 G
D695,255 S * 12/2013 Kim D14/138 G
D698,785 S * 2/2014 Canizares D14/341
D700,164 S * 2/2014 Park D14/138 G
D707,214 S * 6/2014 Reivo D14/248
D715,794 S * 10/2014 Zhou D14/341
D721,667 S * 1/2015 Chuang D14/138 G
D722,038 S * 2/2015 Cheng D14/138 G

(Continued)

(22) Filed: **Dec. 11, 2019**
Related U.S. Application Data
(63) Continuation of application No. 29/678,881, filed on
Jan. 31, 2019.

Primary Examiner — Bridget L Eland
(74) *Attorney, Agent, or Firm* — McAndrews Held &
Malloy, Ltd.

(30) **Foreign Application Priority Data**
Aug. 1, 2018 (KR) 30-2018-0035801
(51) **LOC (12) Cl.** **14-03**
(52) **U.S. Cl.**
USPC **D14/248**
(58) **Field of Classification Search**
USPC D14/138 G, 248, 341, 371, 374, 138 R,
D14/138 AA, 138 AB, 138 AC, 138 AD,
D14/138 C, 247
CPC H04M 1/02; H04M 1/0279; H04M 1/0202;
H04M 1/0283; H04M 1/0268
See application file for complete search history.

(57) **CLAIM**

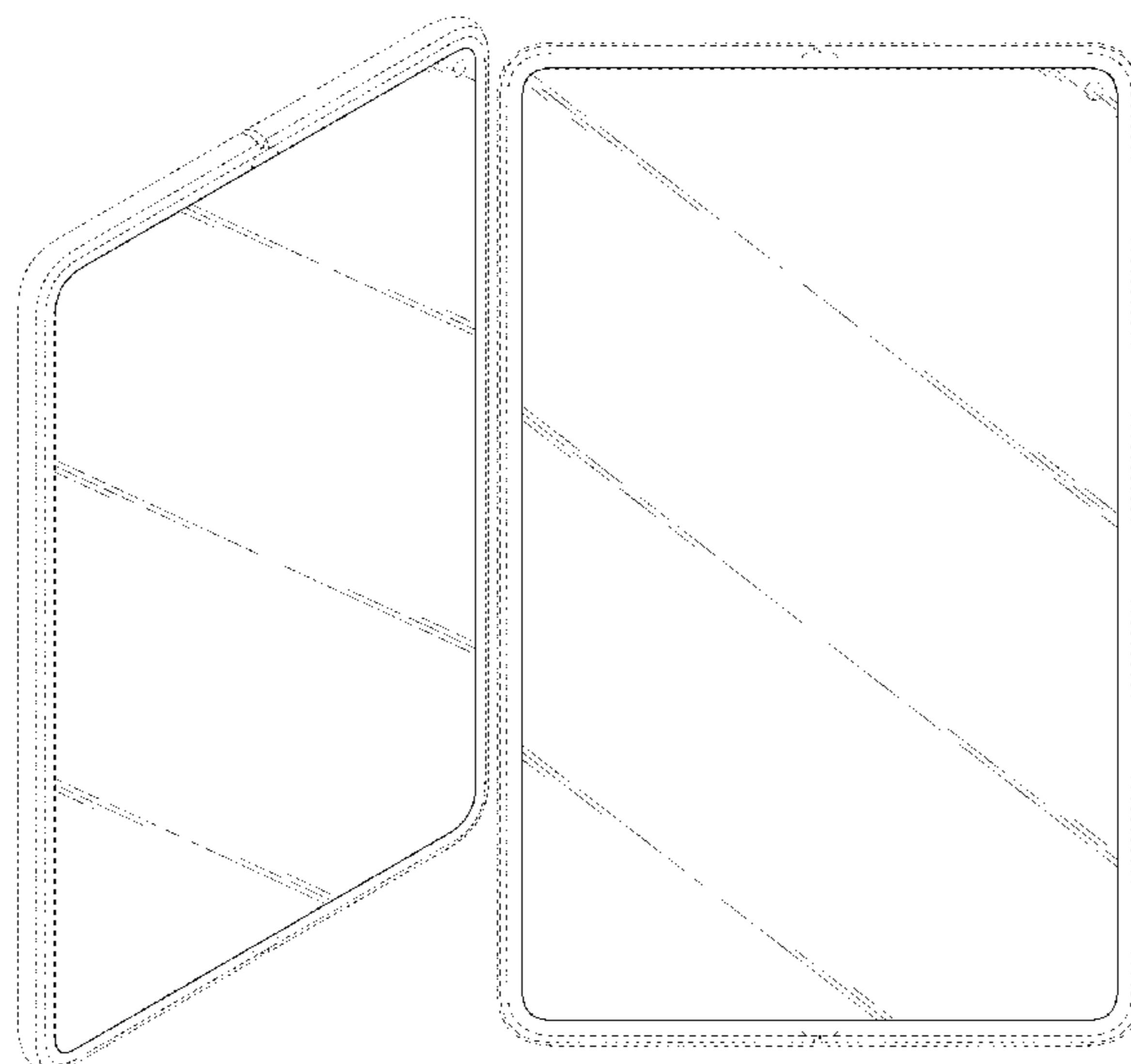
The ornamental design for a mobile phone, as shown and
described.

DESCRIPTION

FIG. 1 is a front perspective view of a mobile phone showing
our new design;
FIG. 2 is a front elevation view thereof;
FIG. 3 is a rear elevation view thereof;
FIG. 4 is a left side elevation view thereof;
FIG. 5 is a right side elevation view thereof;
FIG. 6 is a top plan view thereof; and,
FIG. 7 is a bottom plan view thereof.
The evenly-spaced dashed broken lines in the figures depict
portions of the mobile phone that form no part of the claimed
design.

(56) **References Cited**
U.S. PATENT DOCUMENTS
D577,704 S * 9/2008 Park D14/138 AD
D596,605 S * 7/2009 Son D14/138 AC

1 Claim, 7 Drawing Sheets



(56)

References Cited

U.S. PATENT DOCUMENTS

D753,640 S *	4/2016	Cha	D14/248	D842,834 S *	3/2019	Seo	D14/138 AB
D783,565 S *	4/2017	Kim	D14/138 G	D856,293 S *	8/2019	Seo	D14/138 G
D786,816 S *	5/2017	Choo	D14/138 AA	D856,955 S *	8/2019	Seo	D14/138 G
D787,505 S *	5/2017	Kim	D14/341	D859,341 S *	9/2019	Kang	D14/138 AB
D788,102 S *	5/2017	Kim	D14/341	D859,383 S *	9/2019	Yi	D14/248
D788,773 S *	6/2017	Seo	D14/345	D865,732 S *	11/2019	Park	D14/248
D791,096 S *	7/2017	Hu	D14/138 G	D865,733 S *	11/2019	Park	D14/248
D795,861 S *	8/2017	Seo	D14/341	D865,734 S *	11/2019	Park	D14/248
D800,710 S *	10/2017	Ryu	D14/248	D865,735 S *	11/2019	Park	D14/248
D804,443 S *	12/2017	Kang	D14/138 AB	D865,737 S *	11/2019	Park	D14/248
D808,957 S *	1/2018	Tian	D14/341	D865,738 S *	11/2019	Park	D14/248
D810,041 S *	2/2018	Lee	D14/138 AB	D866,496 S *	11/2019	Kim	D14/138 G
D822,017 S *	7/2018	Noh	D14/341	D866,540 S *	11/2019	Park	D14/248
D825,513 S *	8/2018	Seo	D14/138 AB	D866,541 S *	11/2019	Park	D14/248
D825,518 S *	8/2018	Kikuchi	D14/138 AB	D866,542 S *	11/2019	Park	D14/248
D826,203 S *	8/2018	Seo	D14/138 AB	D867,351 S *	11/2019	Park	D14/248
D826,889 S *	8/2018	Seo	D14/138 AB	D868,763 S *	12/2019	Kim	D14/248
D827,604 S *	9/2018	Seo	D14/138 AB	D869,423 S *	12/2019	Cho	D14/138 G
D828,318 S *	9/2018	Seo	D14/138 AB	D870,088 S *	12/2019	Kim	D14/248
D828,319 S *	9/2018	Seo	D14/138 AB	2013/0307816 A1 *	11/2013	Lee	G06F 1/1652 345/174
D837,176 S *	1/2019	Choi	D14/138 G	2019/0166703 A1 *	5/2019	Kim	H05K 5/0017
D842,833 S *	3/2019	Seo	D14/138 AB	2019/0245955 A1 *	8/2019	Lee	G06F 1/1616
					2019/0339739 A1 *	11/2019	Park	G06F 1/1681

* cited by examiner

FIG. 1

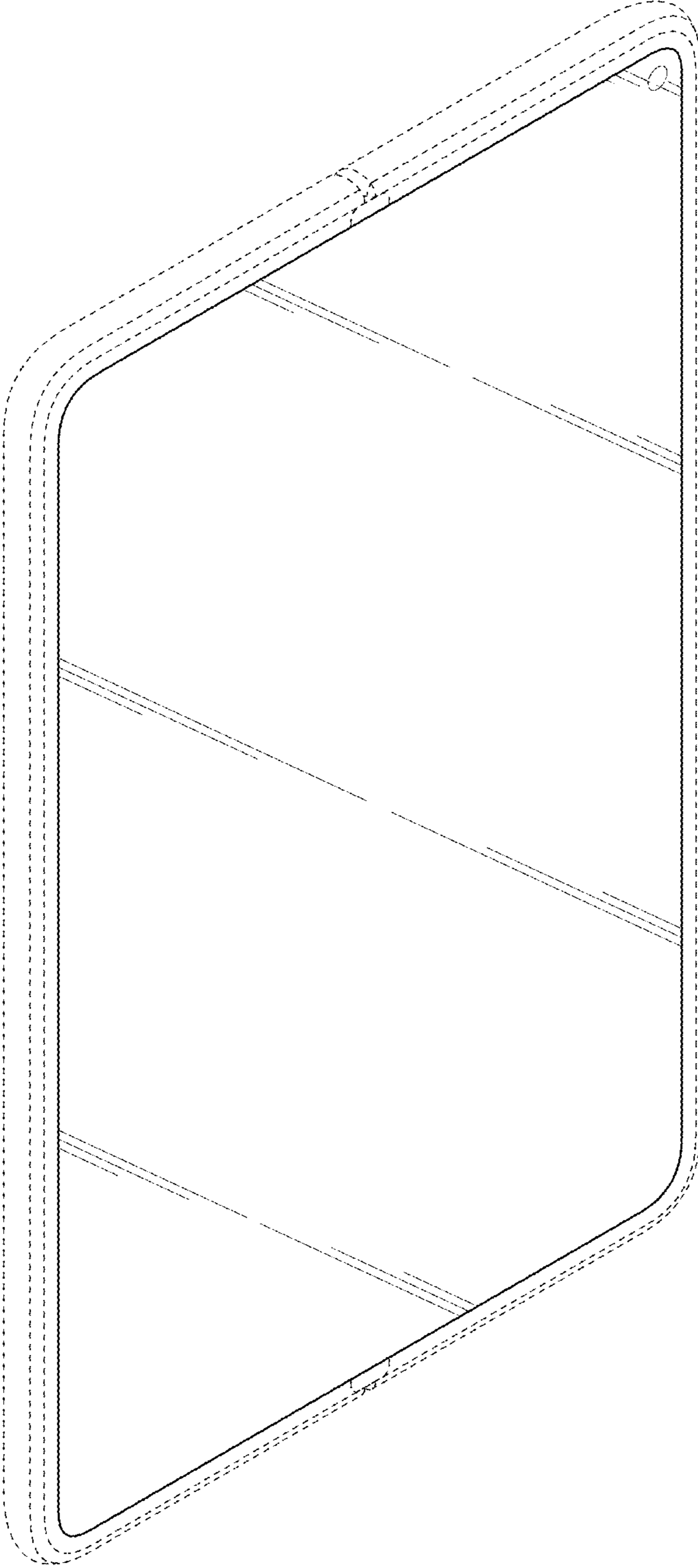


FIG. 2

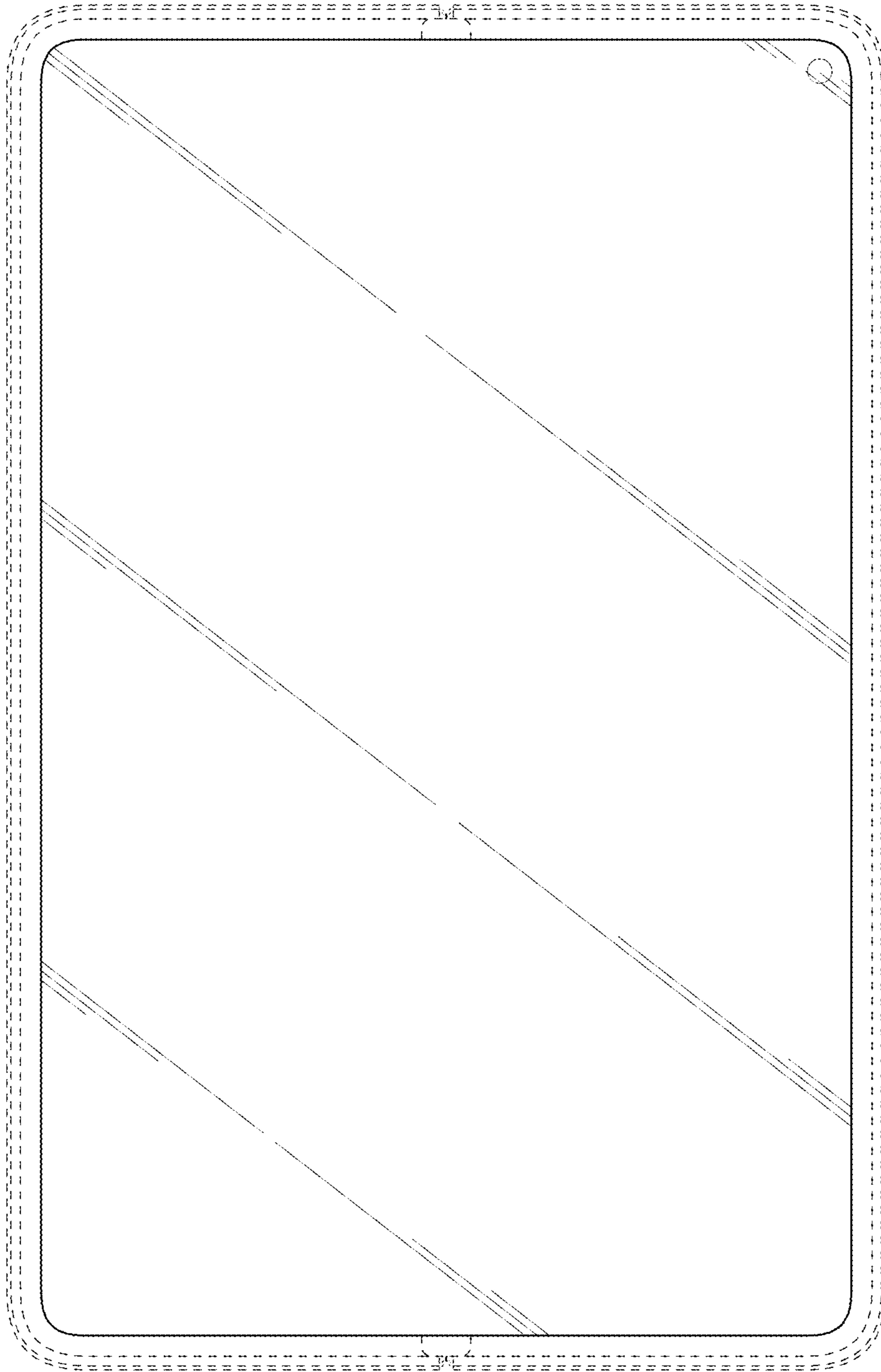


FIG. 3

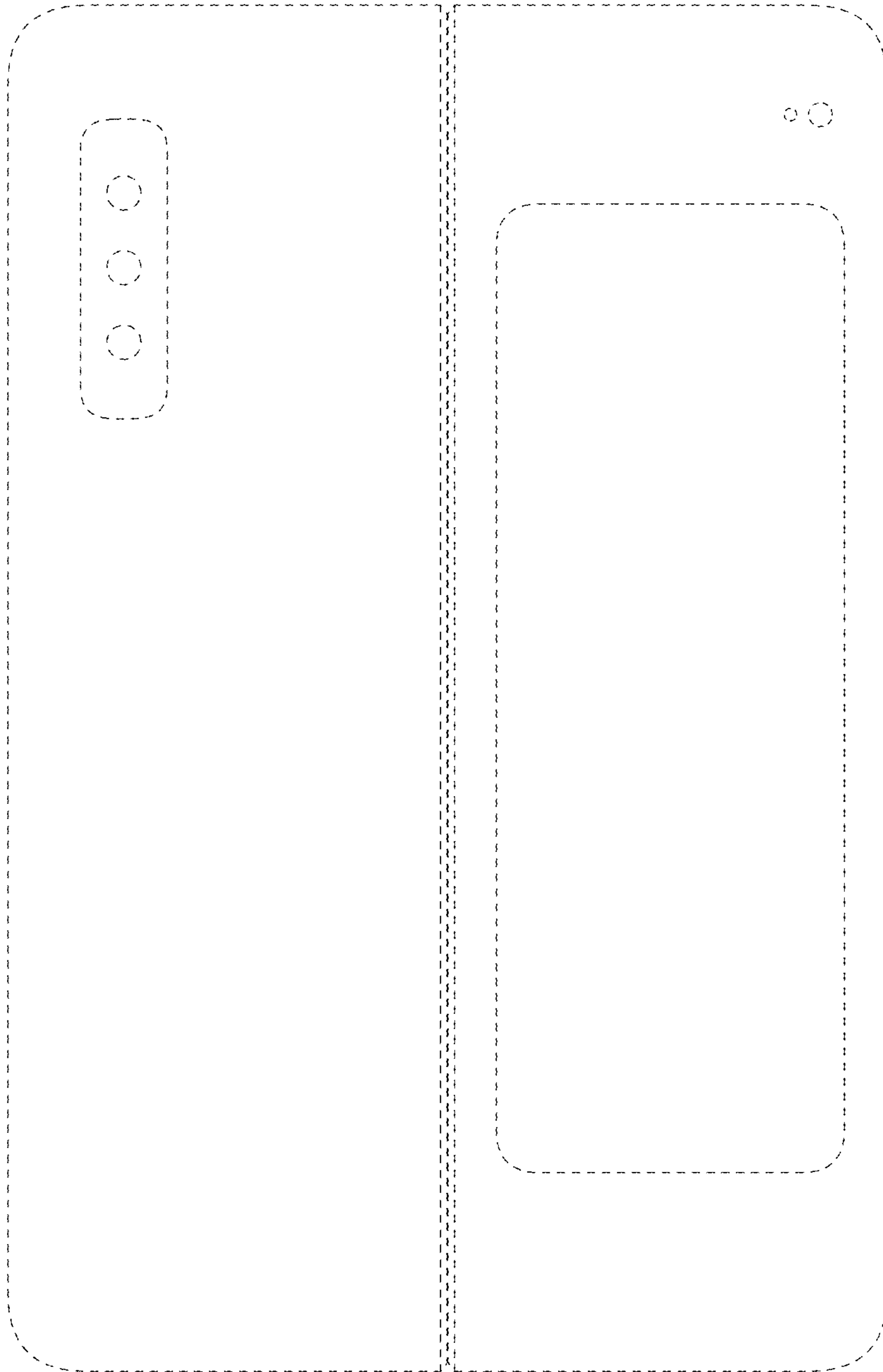


FIG. 4

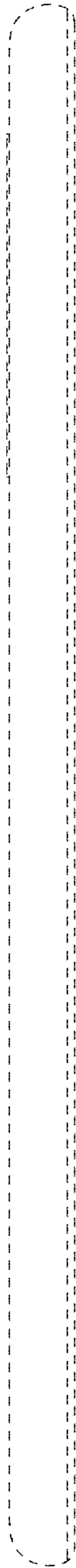


FIG. 5

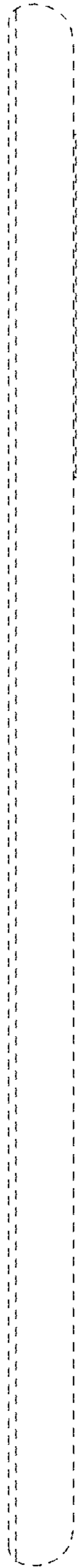


FIG. 6

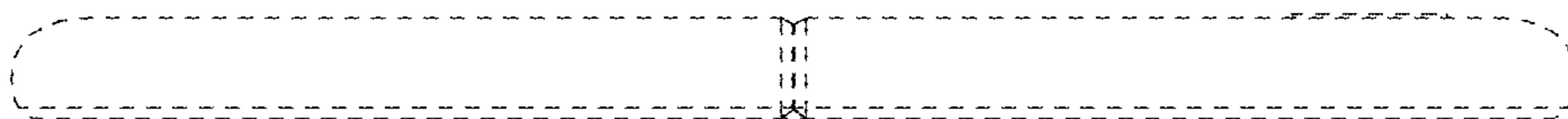


FIG. 7

