



US00D904367S

(12) **United States Design Patent**
Seo et al.

(10) **Patent No.:** **US D904,367 S**

(45) **Date of Patent:** **** Dec. 8, 2020**

(54) **MOBILE PHONE**

(71) Applicant: **Samsung Electronics Co., Ltd.**,
Suwon-si (KR)

(72) Inventors: **Jae-Hun Seo**, Suwon-si (KR);
Won-Kyu Sung, Seongnam-si (KR)

(73) Assignee: **SAMSUNG ELECTRONICS CO., LTD.**,
Suwon-si (KR)

(**) Term: **15 Years**

(21) Appl. No.: **29/678,864**

(22) Filed: **Jan. 31, 2019**

(30) **Foreign Application Priority Data**

Aug. 1, 2018 (KR) 30-2018-0035805

(51) **LOC (12) Cl.** **14-03**

(52) **U.S. Cl.**
USPC **D14/248**

(58) **Field of Classification Search**
USPC D14/138 G, 248, 341, 371, 374, 138 R,
D14/138 AA, 138 AB, 138 AC, 138 AD,
D14/138 C, 247

CPC H04M 1/02; H04M 1/0279; H04M 1/0202;
H04M 1/0283; H04M 1/0268

See application file for complete search history.

(56) **References Cited**

U.S. PATENT DOCUMENTS

D595,286 S *	6/2009	Mitchell	D14/248
D638,847 S *	5/2011	Woods	D14/486
D654,049 S *	2/2012	Chung	D14/138 G
D657,329 S *	4/2012	Son	D14/138 G
D666,981 S *	9/2012	Kim	D14/138 G
D673,560 S *	1/2013	Kim	D14/341
D676,818 S *	2/2013	Park	D14/138 G
D676,819 S *	2/2013	Choi	D14/138 G

D688,218 S *	8/2013	Lee	D14/138 G
D697,885 S *	1/2014	Park	D14/138 G
D704,672 S *	5/2014	Chen	D14/138 G
D723,491 S *	3/2015	Song	D14/138 G
D723,494 S *	3/2015	Skafdrup	D14/138 G
D778,253 S *	2/2017	Kwak	D14/138 AB
D783,564 S *	4/2017	Park	D14/138 C
D787,505 S *	5/2017	Kim	D14/341
D788,102 S *	5/2017	Kim	D14/341
D789,314 S *	6/2017	Lee	D14/138 G
D790,496 S *	6/2017	Park	D14/138 AA
D794,005 S *	8/2017	Kwon	D14/248
D798,851 S *	10/2017	Kim	D14/248
D800,710 S *	10/2017	Ryu	D14/248
D807,854 S *	1/2018	Seo	D14/138 AB
D807,855 S *	1/2018	Seo	D14/138 AB

(Continued)

Primary Examiner — Bridget L Eland

(74) *Attorney, Agent, or Firm* — McAndrews Held & Malloy, Ltd.

(57) **CLAIM**

The ornamental design for a mobile phone, as shown and described.

DESCRIPTION

FIG. 1 is a front perspective view of a mobile phone showing our new design;

FIG. 2 is a front elevation view thereof;

FIG. 3 is a rear elevation view thereof;

FIG. 4 is a left side elevation view thereof;

FIG. 5 is a right side elevation view thereof;

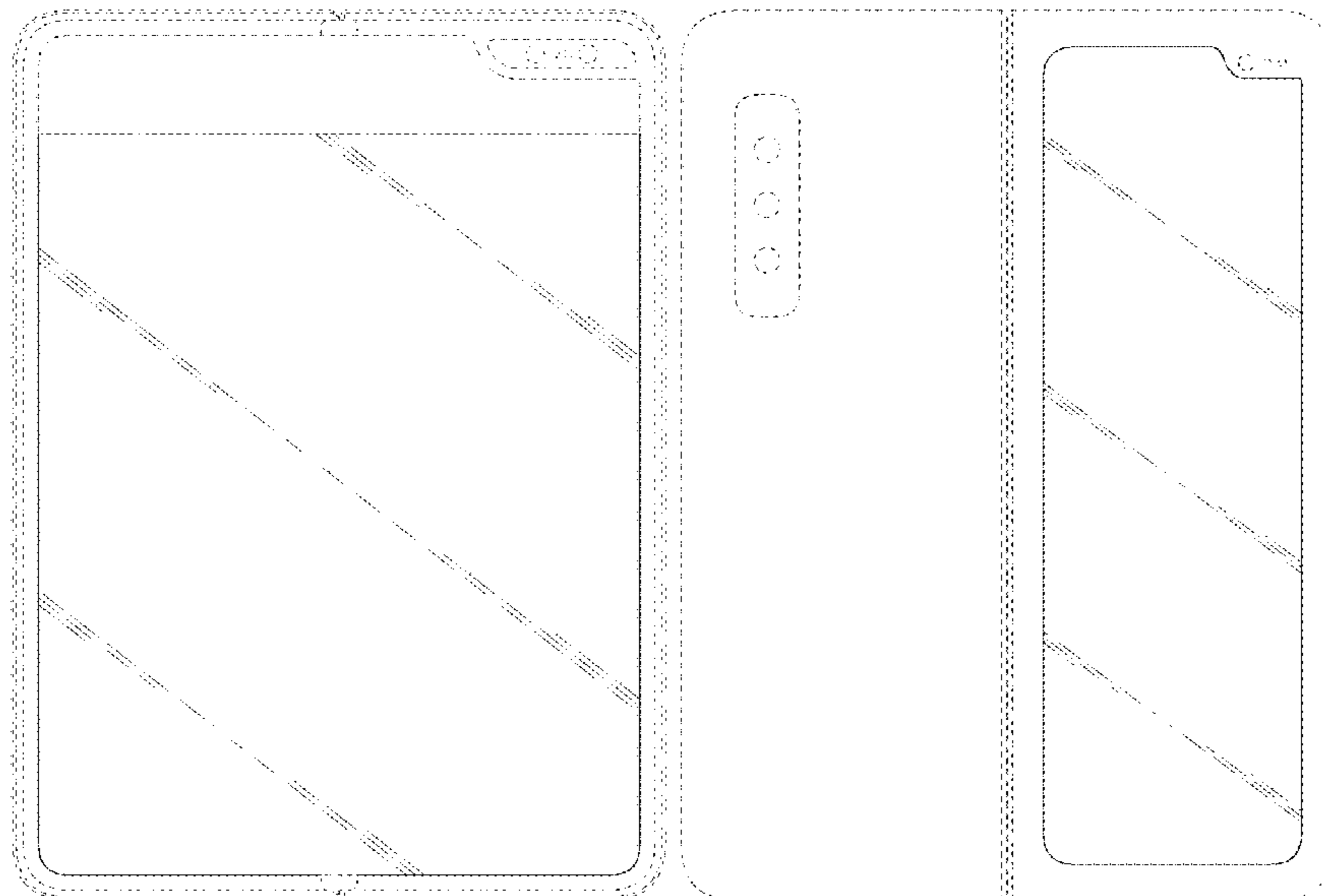
FIG. 6 is a top plan view thereof;

FIG. 7 is a bottom plan view thereof; and,

FIG. 8 is a rear perspective view thereof.

The evenly-spaced dashed broken lines in the figures depict portions of the mobile phone that form no part of the claimed design. The unevenly-spaced dot-dash broken lines in the figures define the boundaries of the claimed design and form no part thereof.

1 Claim, 8 Drawing Sheets



(56)

References Cited

U.S. PATENT DOCUMENTS

D807,856	S *	1/2018	Seo	D14/138 AB
D810,041	S *	2/2018	Lee	D14/138 AB
D822,017	S *	7/2018	Noh	D14/341
D825,513	S *	8/2018	Seo	D14/138 AB
D826,203	S *	8/2018	Seo	D14/138 AB
D826,889	S *	8/2018	Seo	D14/138 AB
D841,633	S *	2/2019	Kim	D14/248
D842,833	S *	3/2019	Seo	D14/138 AB
D842,834	S *	3/2019	Seo	D14/138 AB
D859,383	S *	9/2019	Yi	D14/248
D864,954	S *	10/2019	Kim	D14/341
D866,496	S *	11/2019	Kim	D14/138 G
D870,088	S *	12/2019	Kim	D14/248
10,530,911	B2 *	1/2020	Bao	H04N 5/2252
10,609,190	B2 *	3/2020	Chen	H04M 1/0268
10,716,228	B2 *	7/2020	You	H05K 5/0226
2019/0166703	A1 *	5/2019	Kim	H05K 5/0017
2019/0339739	A1 *	11/2019	Park	G06F 1/1681
2020/0125144	A1 *	4/2020	Chung	G06F 3/04886
2020/0162596	A1 *	5/2020	Kim	H05K 1/148
2020/0177714	A1 *	6/2020	Jung	H04M 1/0243

* cited by examiner

FIG. 1

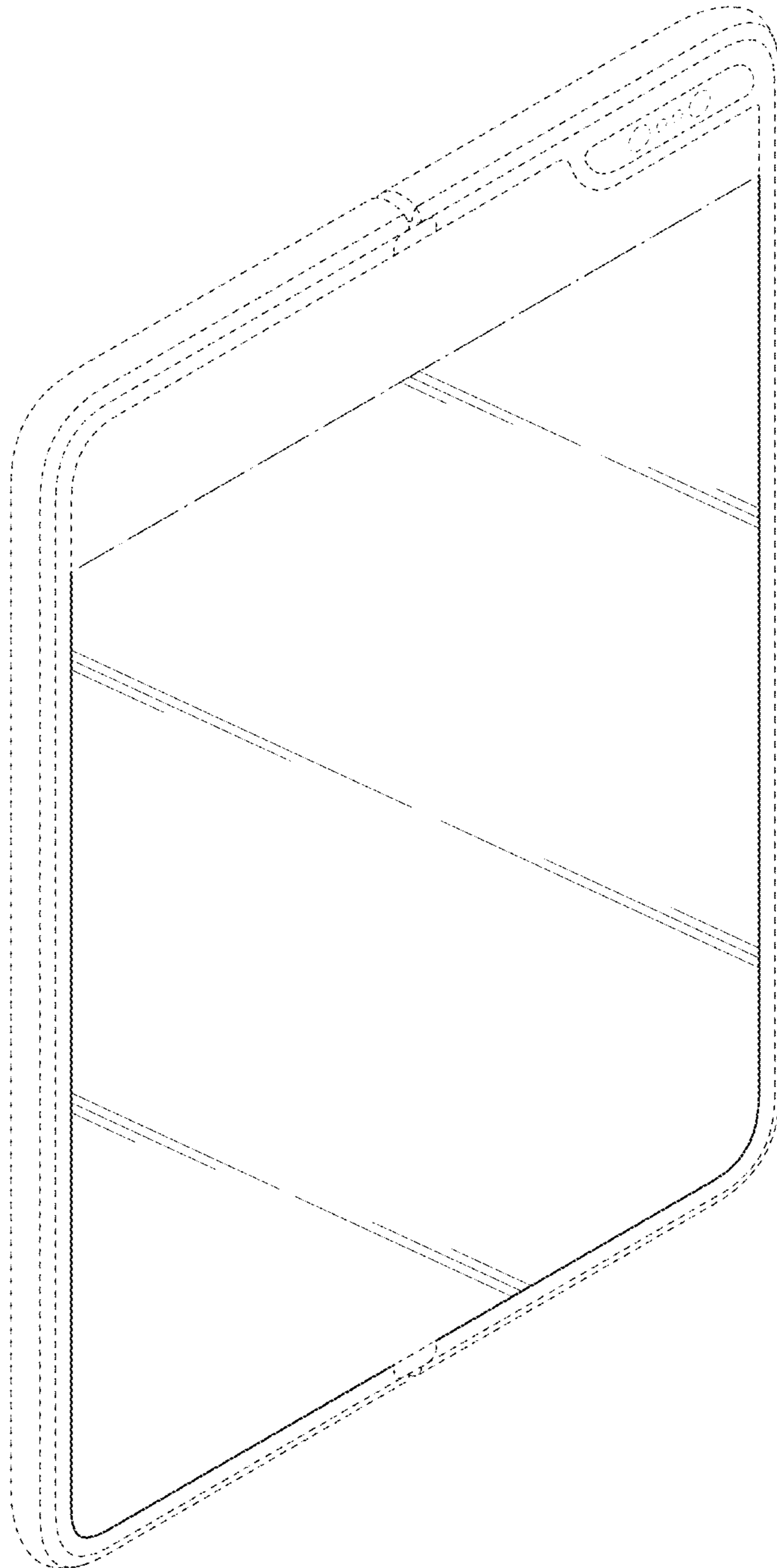


FIG. 2

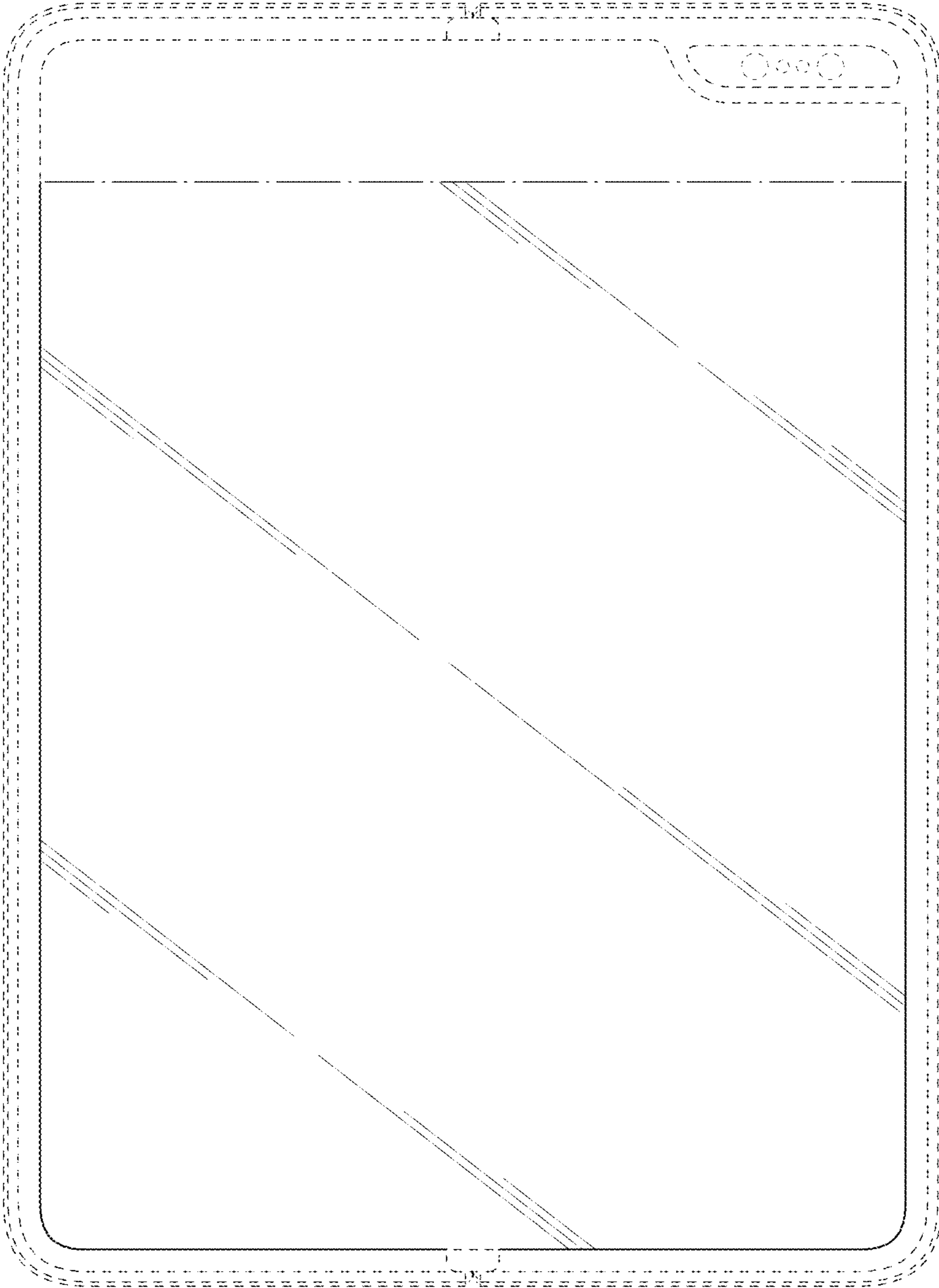


FIG. 3

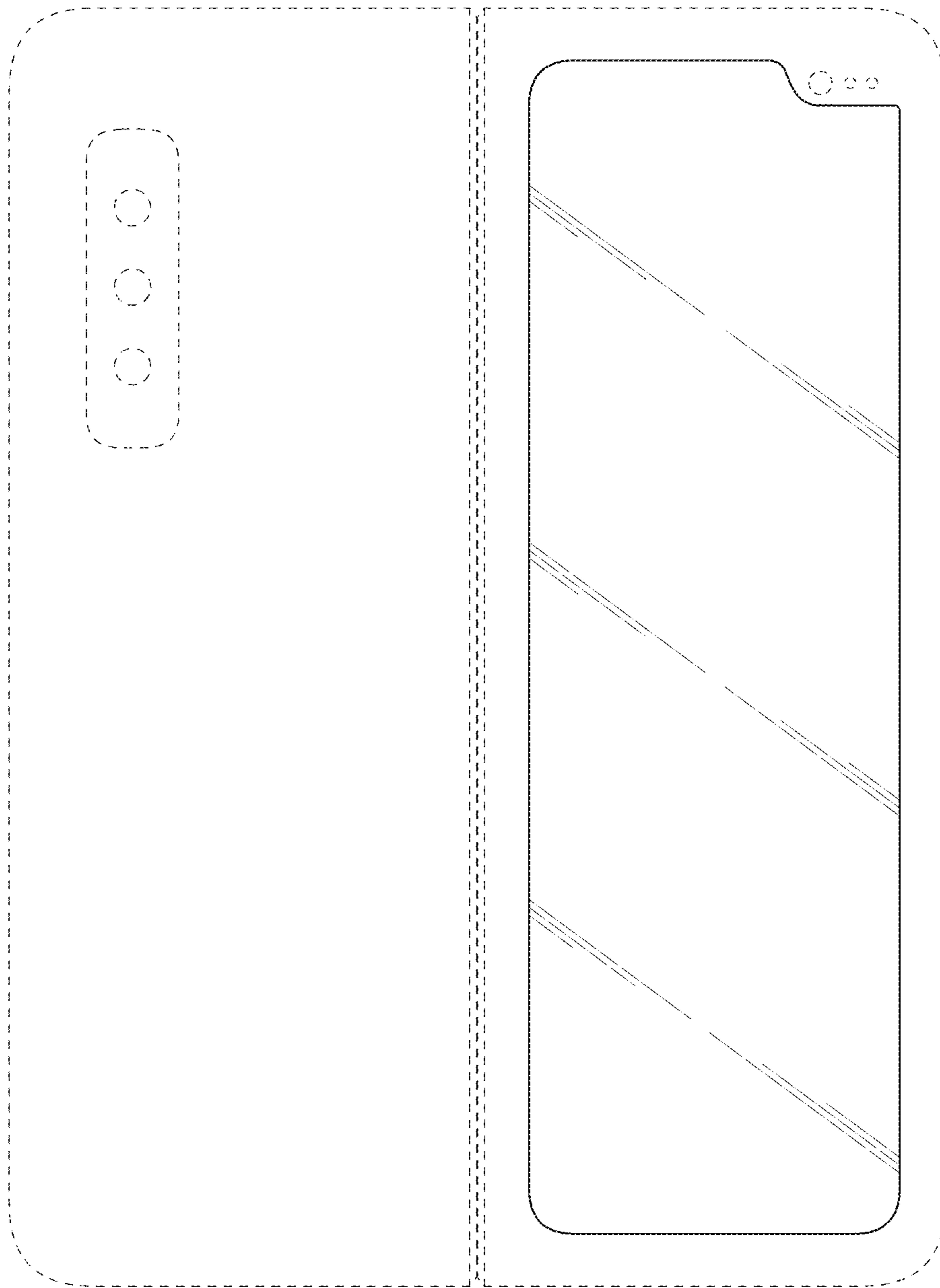


FIG. 4



FIG. 5



FIG. 6

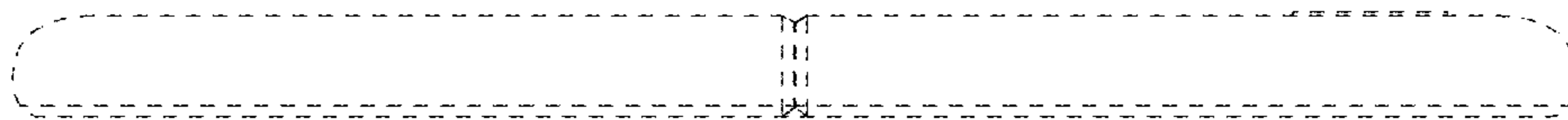


FIG. 7



FIG. 8

