



US00D904363S

(12) **United States Design Patent**
Yamate

(10) **Patent No.:** **US D904,363 S**

(45) **Date of Patent:** **** Dec. 8, 2020**

(54) **WIRELESS COMMUNICATION DEVICE**

(71) Applicant: **Roland Corporation**, Shizuoka (JP)

(72) Inventor: **Hiroshi Yamate**, Shizuoka (JP)

(73) Assignee: **Roland Corporation**, Shizuoka (JP)

(**) Term: **15 Years**

(21) Appl. No.: **29/693,917**

(22) Filed: **Jun. 6, 2019**

(51) **LOC (12) Cl.** **14-03**

(52) **U.S. Cl.**
USPC **D14/240**

(58) **Field of Classification Search**
USPC D14/240, 242, 357, 358, 140-140.9, 155,
D14/125, 137, 139, 243, 348, 349, 351,
D14/354, 355
CPC H04L 12/00; H03K 17/00; H04W 88/00;
H04W 88/005; H04W 88/02; H04W
88/08; H04W 88/085; H04W 88/10;
H04W 88/12; H04W 88/14; H04B 1/38
See application file for complete search history.

(56) **References Cited**

U.S. PATENT DOCUMENTS

D376,368 S * 12/1996 Larson D14/240
D573,985 S * 7/2008 Jeong D14/240
D655,267 S * 3/2012 Daniel D14/137

D674,785 S * 1/2013 Kyriakides, II D14/240
D700,146 S * 2/2014 Becker D13/159
D735,701 S * 8/2015 Maxam D14/240
D759,637 S * 6/2016 Maxam D14/240
D870,084 S * 12/2019 Tabata D14/242
D870,715 S * 12/2019 Yamate D14/240
D873,254 S * 1/2020 Homza D14/242
D881,858 S * 4/2020 Ueda D14/240
D883,969 S * 5/2020 Nogueira-Nine D14/242
D897,326 S * 9/2020 Araki D14/240

* cited by examiner

Primary Examiner — Bridget L Eland

(74) *Attorney, Agent, or Firm* — JCIPRNET

(57) **CLAIM**

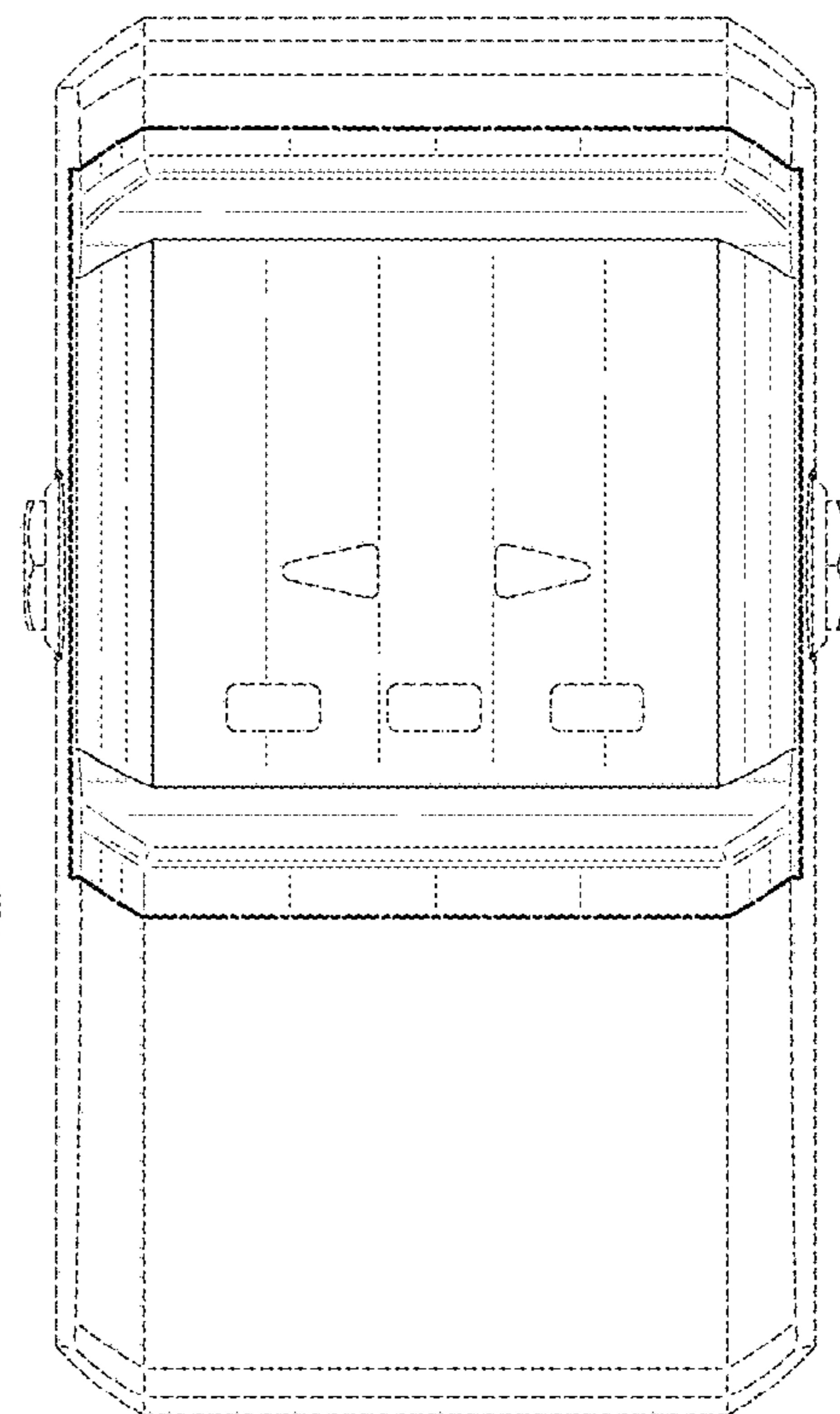
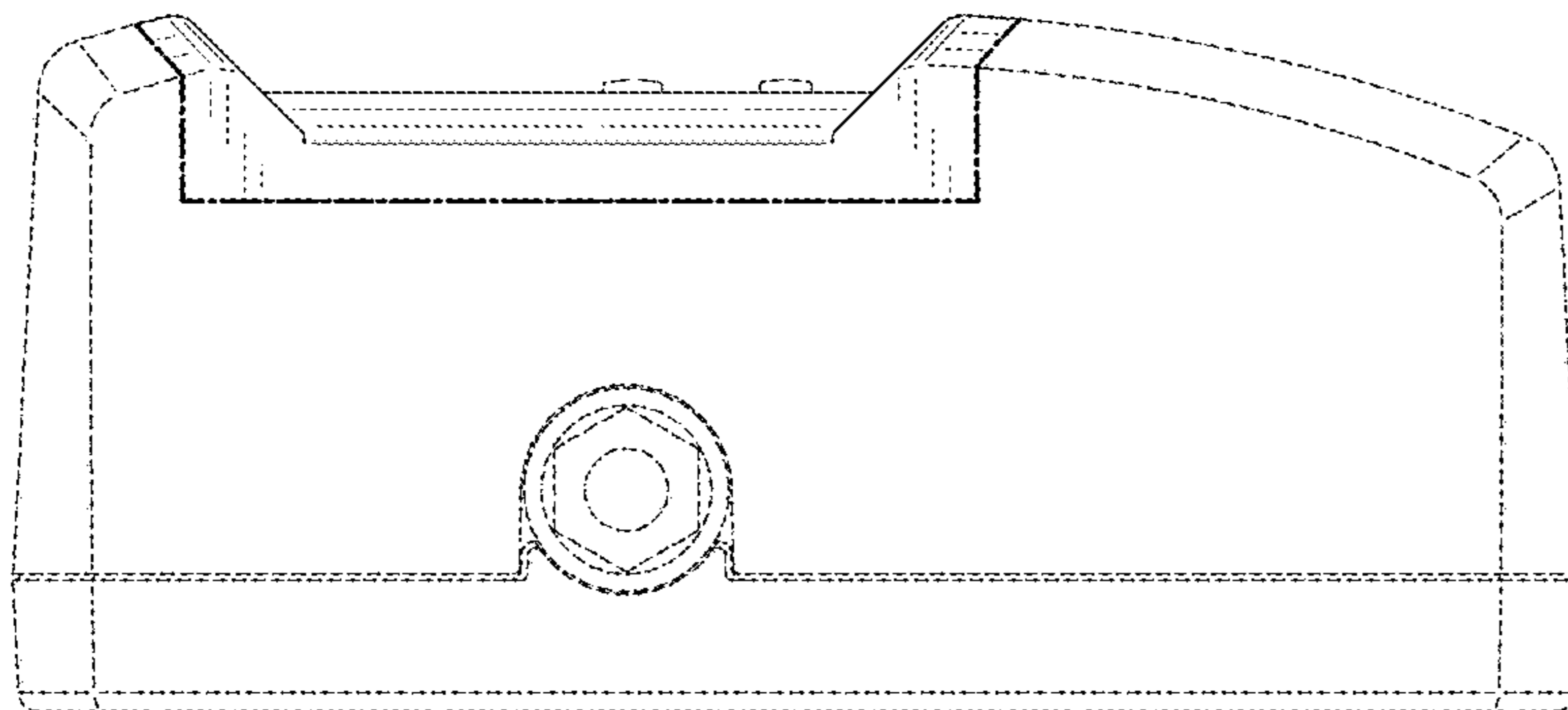
The ornamental design for a wireless communication device, as shown and described.

DESCRIPTION

FIG. 1 is a perspective view of a wireless communication device showing my new design;
FIG. 2 is a front view thereof;
FIG. 3 is a rear view thereof;
FIG. 4 is a left side view thereof;
FIG. 5 is a right side view thereof;
FIG. 6 is a top view thereof; and,
FIG. 7 is a bottom view thereof.

The dashed broken lines illustrate portions of the article and form no part of the claimed design. The dot-dash lines define boundaries of the claimed design and form no part thereof.

1 Claim, 5 Drawing Sheets



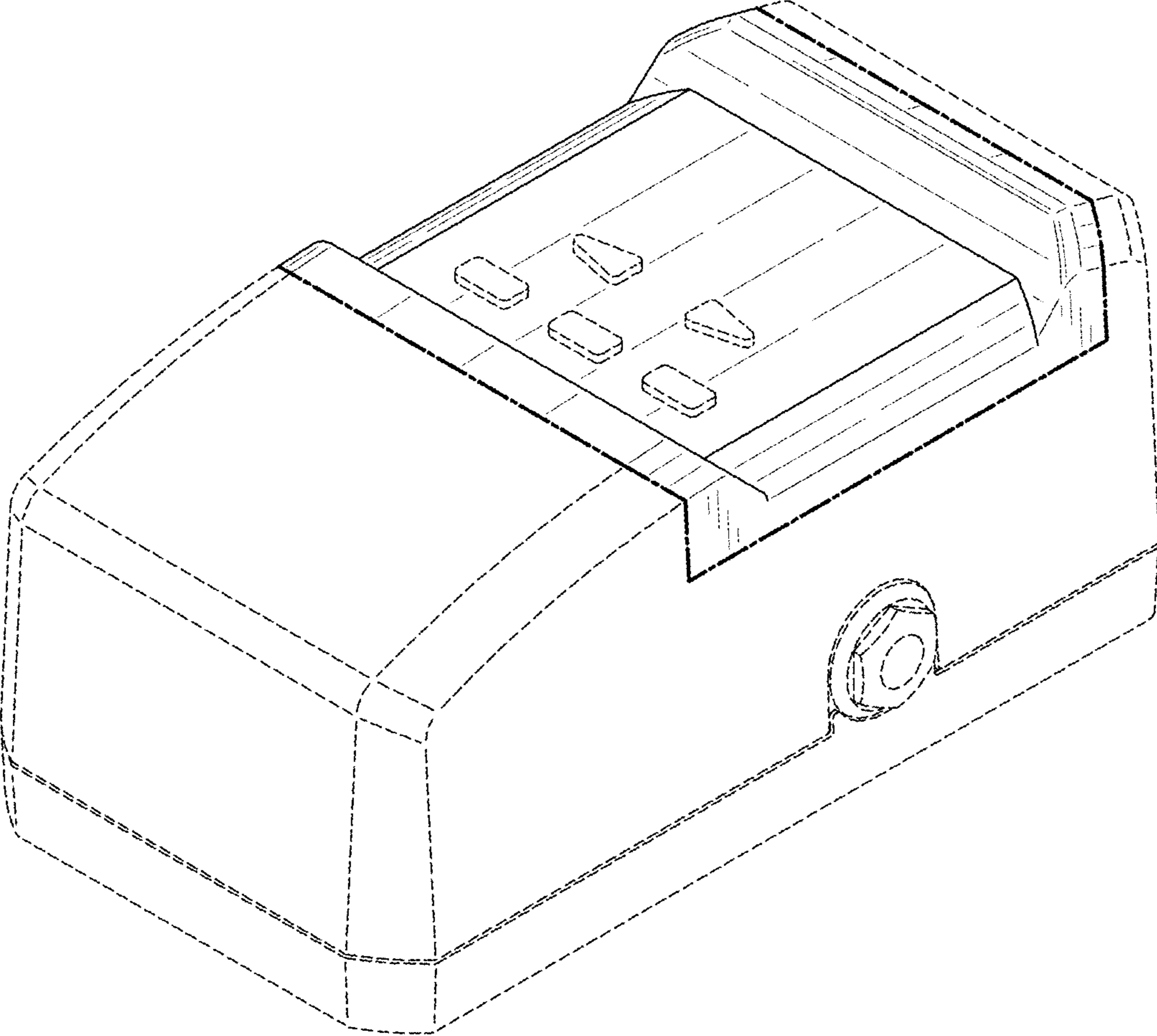


FIG. 1

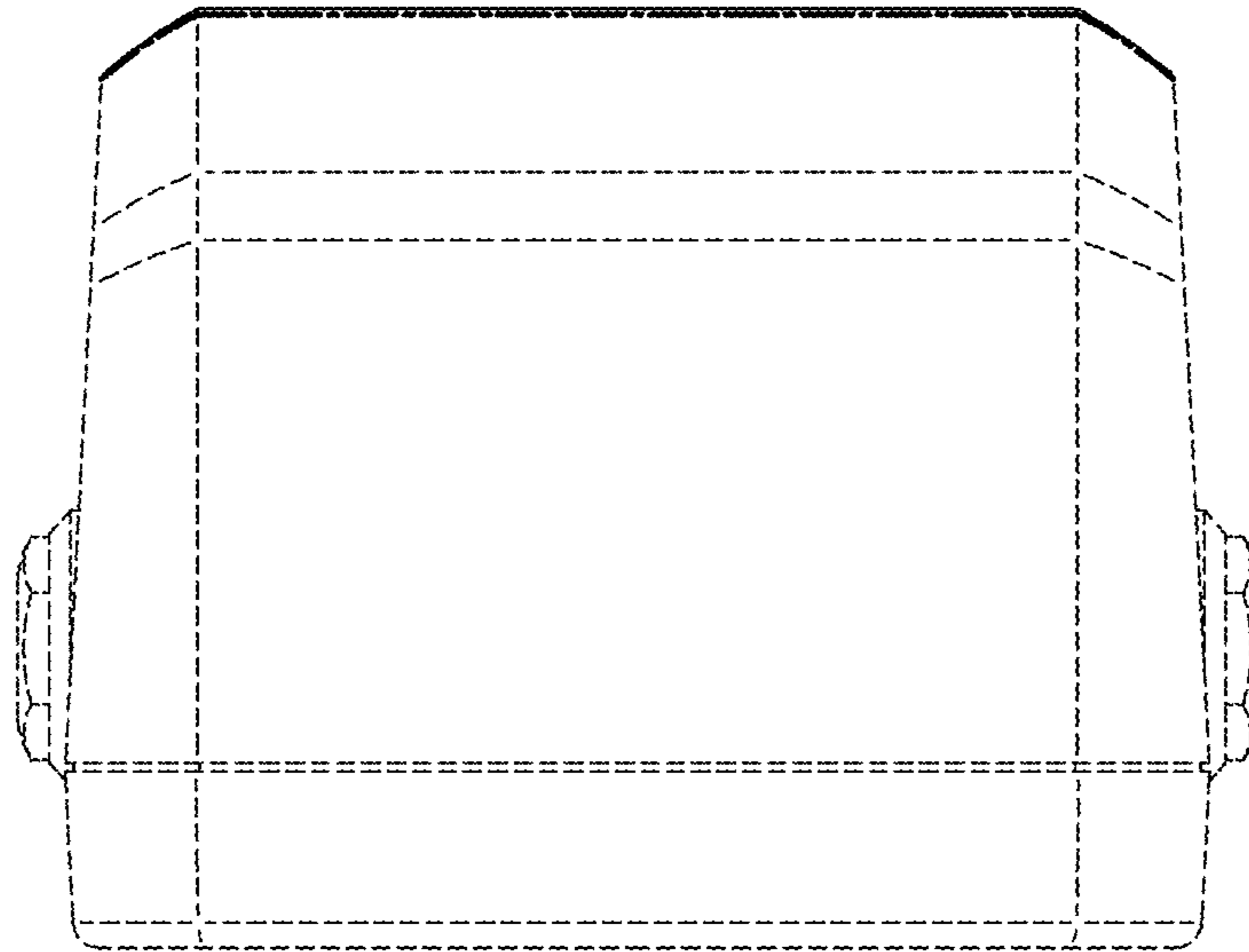


FIG. 2

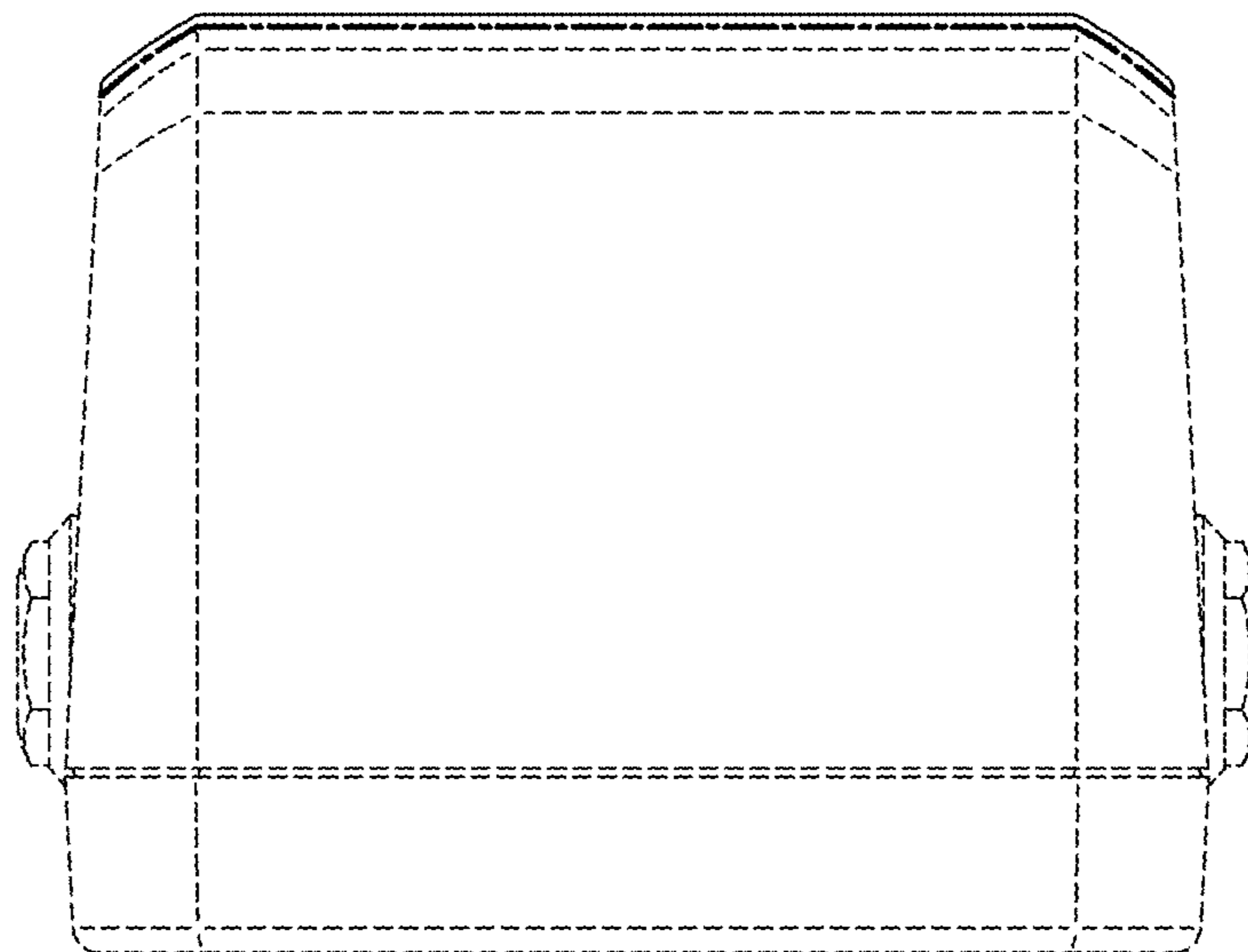


FIG. 3

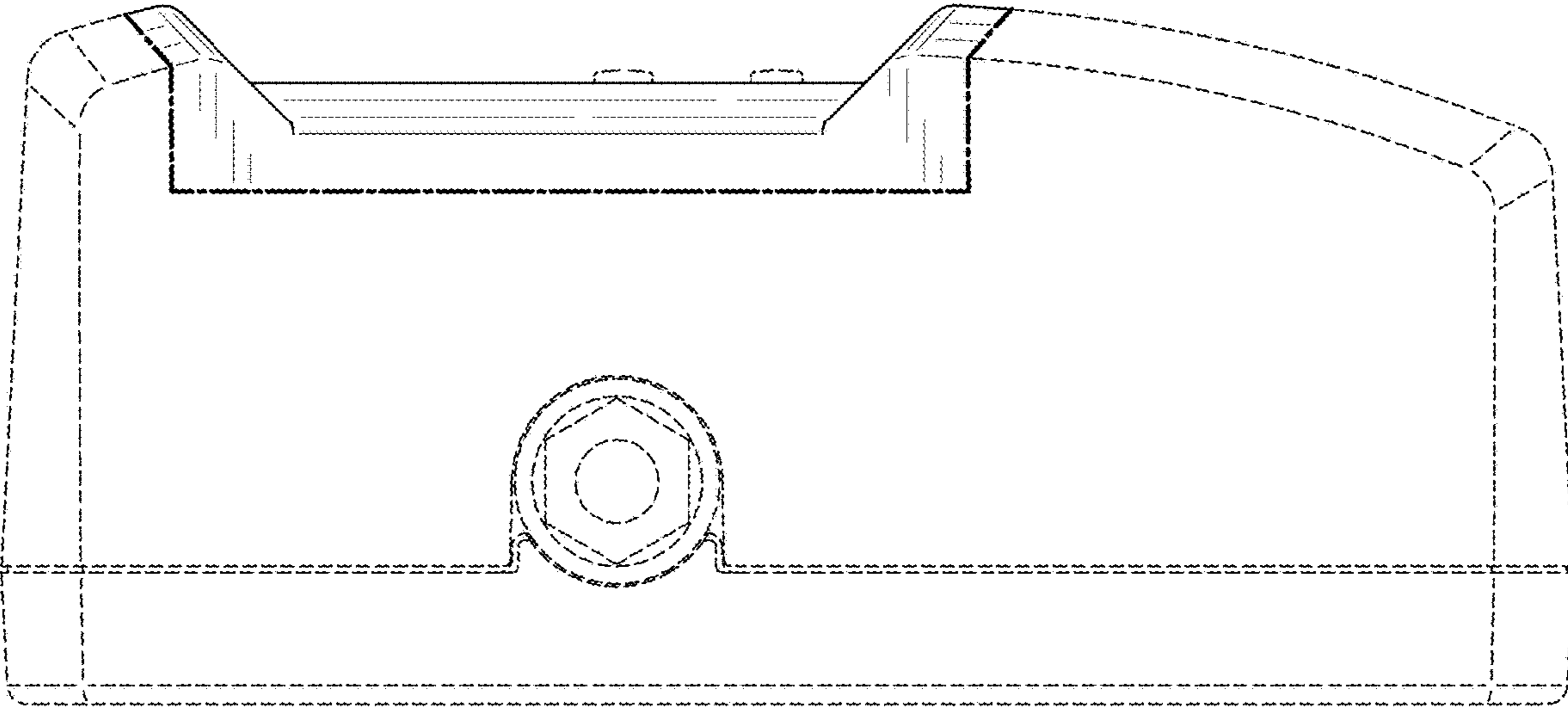


FIG. 4

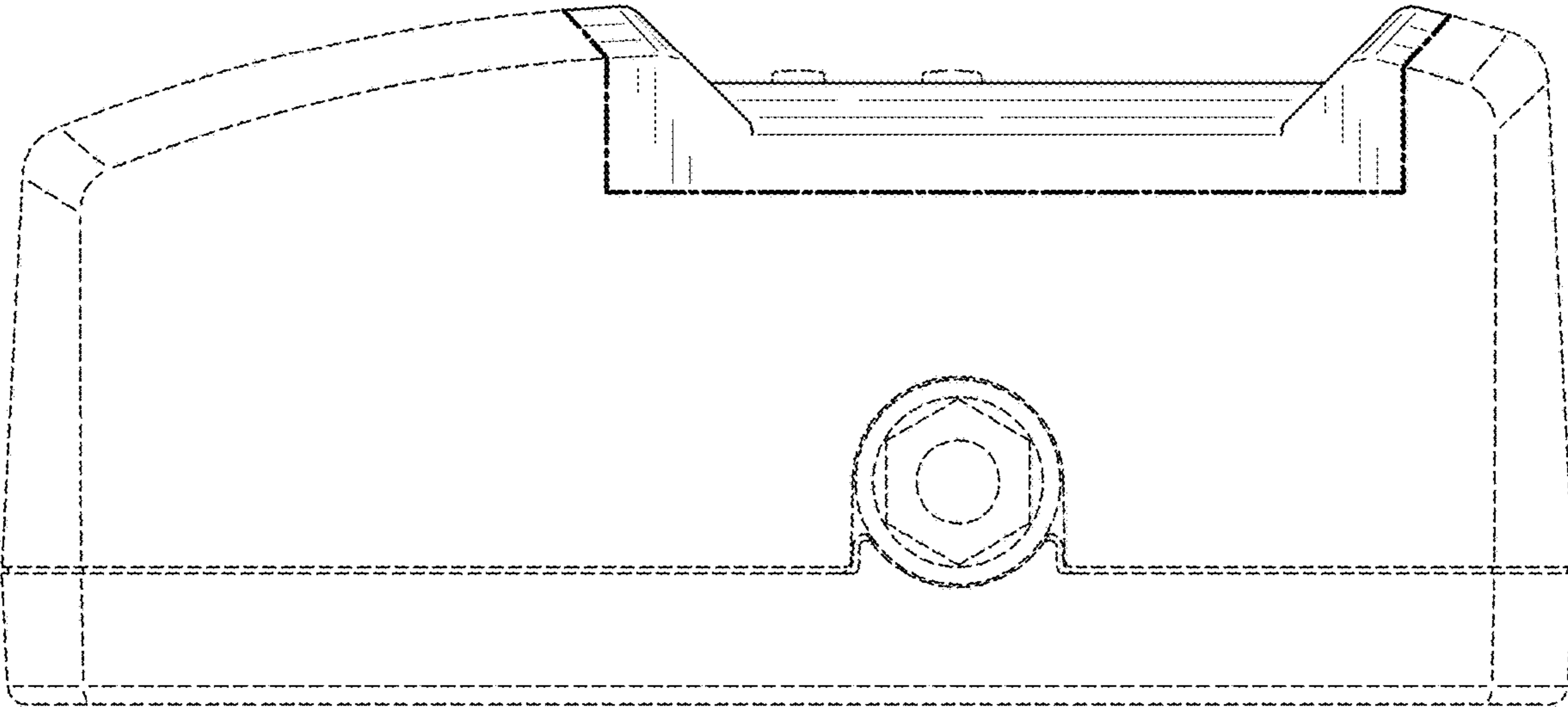


FIG. 5

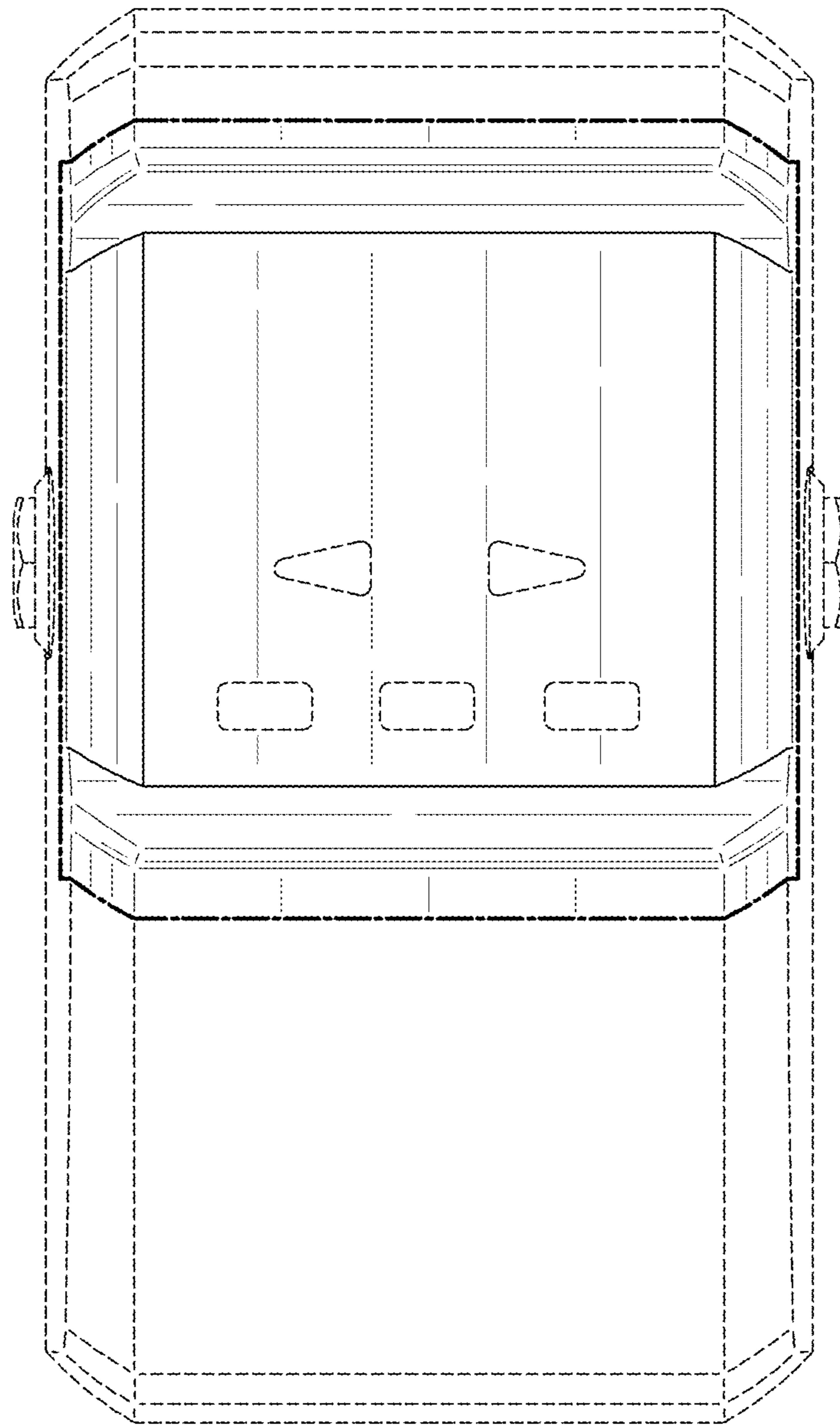


FIG. 6

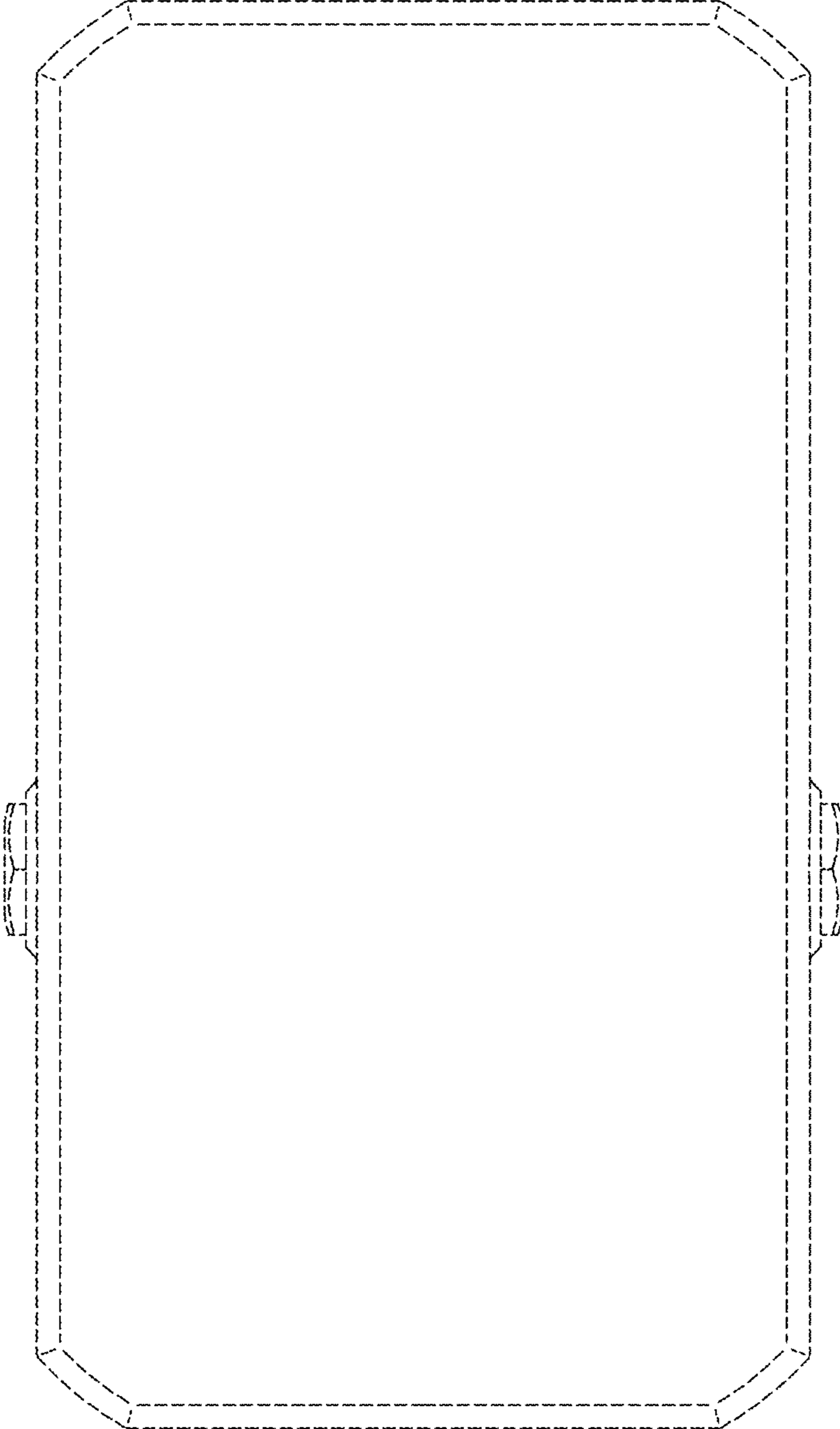


FIG. 7