



US00D904361S

(12) **United States Design Patent** (10) **Patent No.:** **US D904,361 S**
Pei (45) **Date of Patent:** **** Dec. 8, 2020**

(54) **TV MOUNT BRACKET**

(71) Applicant: **Xubo Pei**, Shenzhen (CN)

(72) Inventor: **Xubo Pei**, Shenzhen (CN)

(**) Term: **15 Years**

(21) Appl. No.: **29/705,475**

(22) Filed: **Sep. 12, 2019**

(51) **LOC (12) Cl.** **14-03**

(52) **U.S. Cl.**
USPC **D14/239**

(58) **Field of Classification Search**

USPC D14/371-382, 125-129, 336, 337,
D14/447-452, 492, 335, 376-382, 239,
D14/457, 439-441, 432, 251-253;
D8/349, 354, 363, 373, 376, 380;
D21/333; D12/415; D3/218; 348/180,
348/184, 325, 739, 825
CPC .. G06F 3/0412; G06F 1/13338; G06F 3/3648;
G06F 3/016; G06F 3/0488; G06F 3/011;
G06F 3/038; G06F 3/03543; G06F
3/0338; G06F 3/0202; G06F 3/0219;
G06F 3/0213; G06F 1/1616; G06F 3/023;
G06F 3/04883; G02F 1/13338; G02F
1/1313; G02F 1/1333; G02F 1/135; G02F
1/132; G02F 1/133308; G02F 1/134309;
G02F 1/13718; G06K 15/1252; B41J
2/465; G03F 7/70291; G02B 27/0172;
G02B 5/30; G02B 2027/0118; G02B
27/0101; F16M 13/02; F16M 13/00;
F16M 11/10; F16M 11/04; F16M
2200/08; F16M 11/2021; A47B 21/0314;
A47B 88/044; A47B 2021/0335; H02G
3/126; F16B 47/00; F16B 47/006; A47G
1/17; A47K 2201/00

See application file for complete search history.

(56) **References Cited**

U.S. PATENT DOCUMENTS

D517,085	S	*	3/2006	Deuschle	D14/451
D528,901	S	*	9/2006	David	D8/373
D538,141	S	*	3/2007	Stenhouse	D8/373
D539,126	S	*	3/2007	Stenhouse	D8/373
D593,081	S	*	5/2009	Grolle	D14/239
D614,611	S	*	4/2010	Leung	D14/239
D631,875	S	*	2/2011	Skull	D14/239
7,891,622	B1	*	2/2011	O'Keene	F16M 11/18 248/292.13
D635,130	S	*	3/2011	Skull	D14/239
9,052,057	B2	*	6/2015	Stenhouse	F16M 11/38
D837,225	S	*	1/2019	Russell	D14/452
D842,283	S	*	3/2019	Pei	D14/239
D848,989	S	*	5/2019	Pei	D14/239

* cited by examiner

Primary Examiner — Katie Jane Stoffko

(74) *Attorney, Agent, or Firm* — Maier & Maier, PLLC

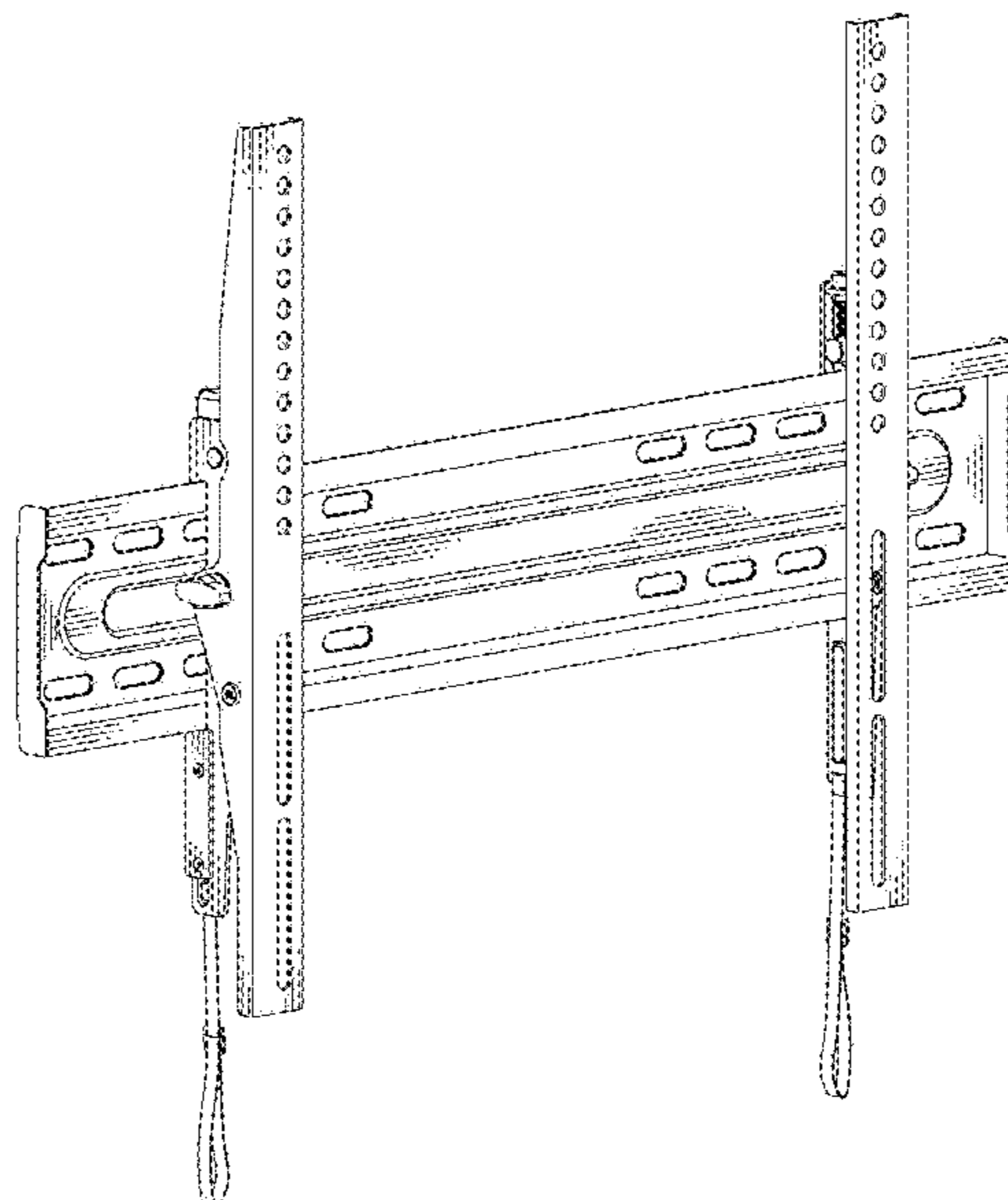
(57) **CLAIM**

The ornamental design for a TV mount bracket, as shown and described.

DESCRIPTION

FIG. 1 is a front view of a TV mount bracket showing the new design;
FIG. 2 is a rear view thereof;
FIG. 3 is a left side view thereof;
FIG. 4 is a right side view thereof;
FIG. 5 is a top plan view thereof;
FIG. 6 is a bottom plan view thereof;
FIG. 7 is a front, top, left side perspective view thereof;
FIG. 8 is a rear, top, right side perspective view thereof, shown in an alternate position; and,
FIG. 9 is a front, top, left side perspective view thereof, shown in an alternate position.
The shade lines in the Figures show contour and not surface ornamentation.

1 Claim, 8 Drawing Sheets



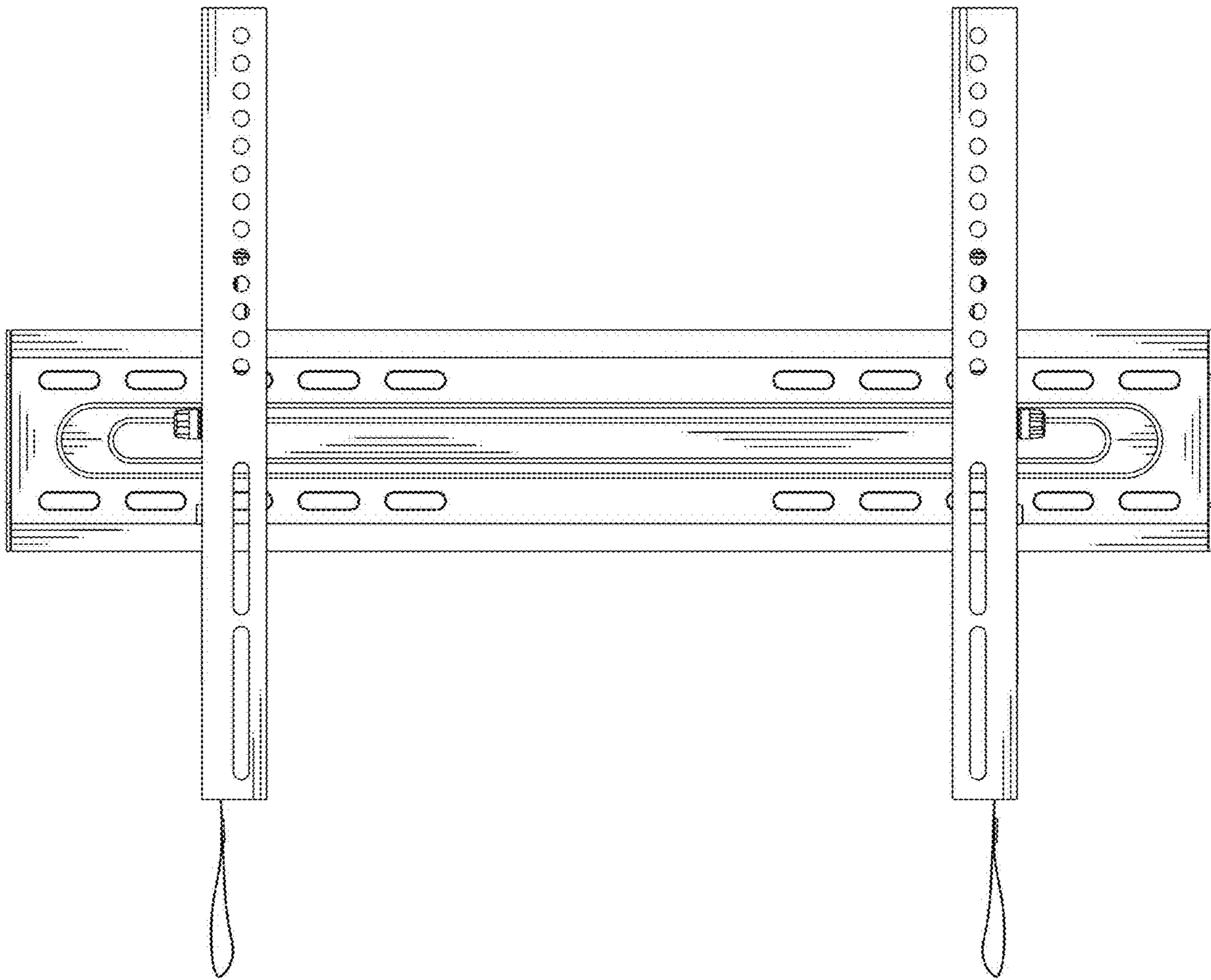


FIG. 1

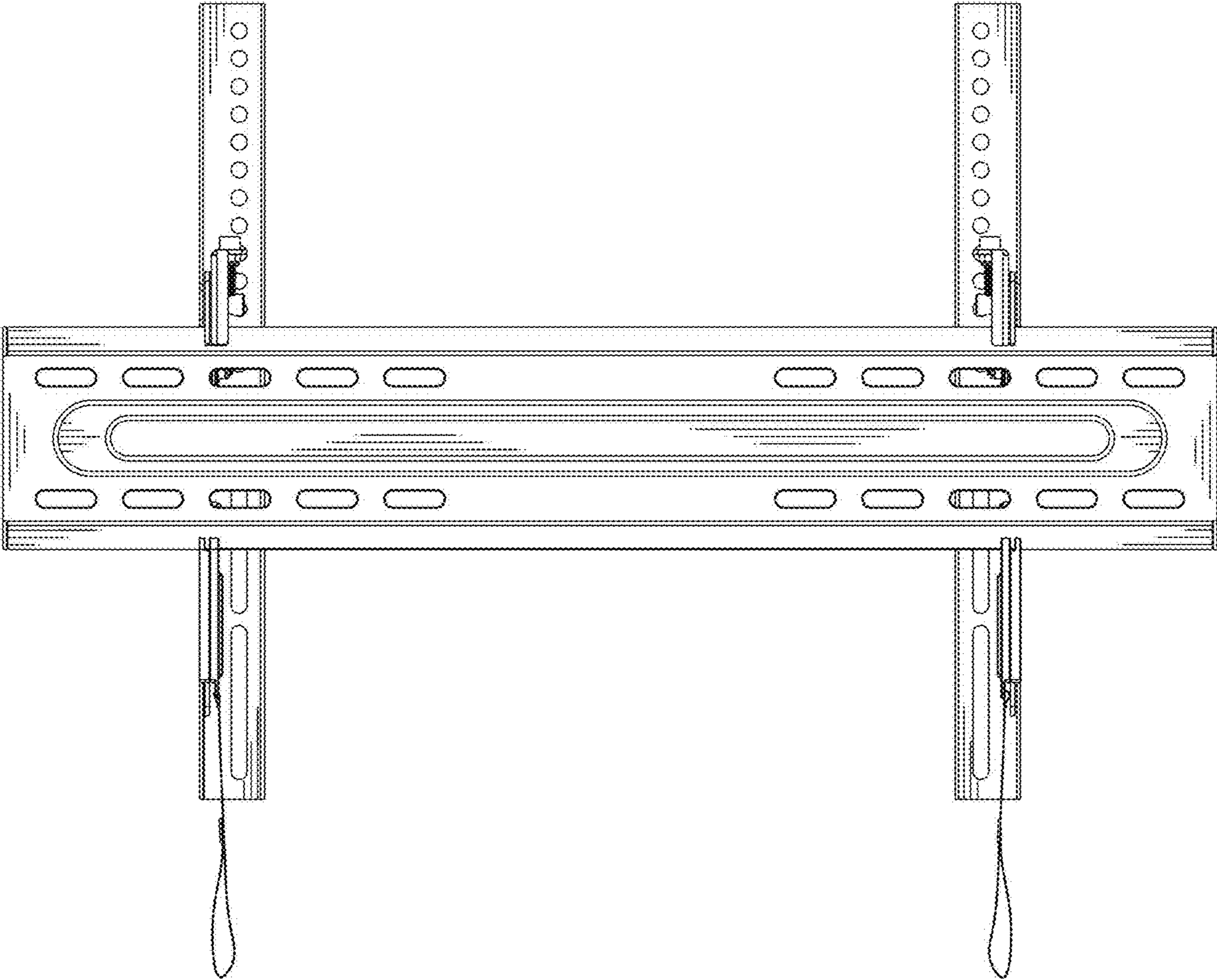


FIG. 2

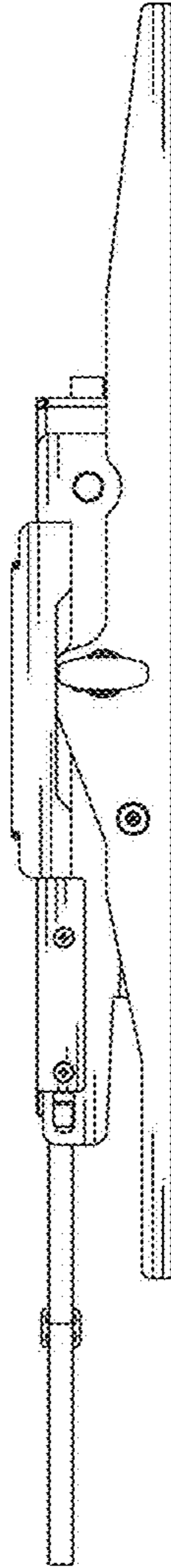


FIG. 3

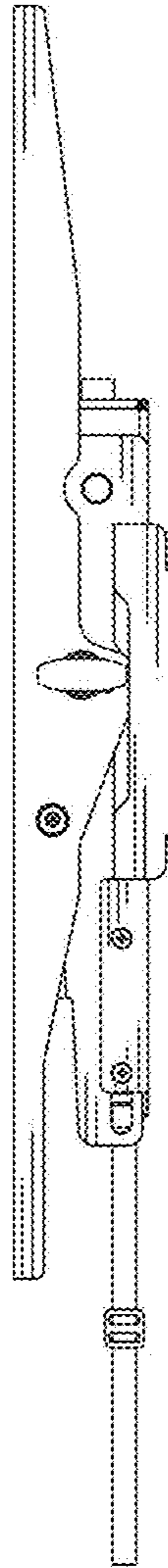


FIG. 4

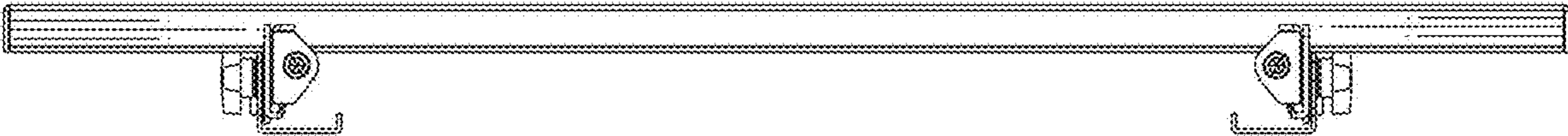


FIG. 5

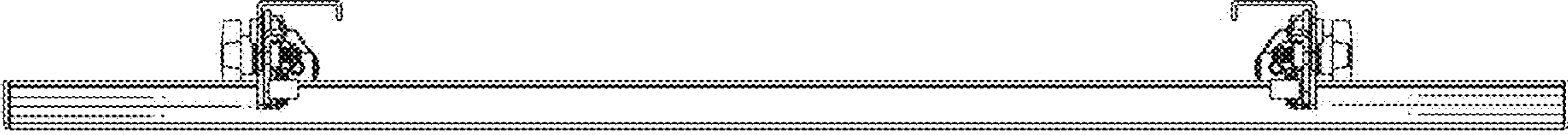


FIG. 6

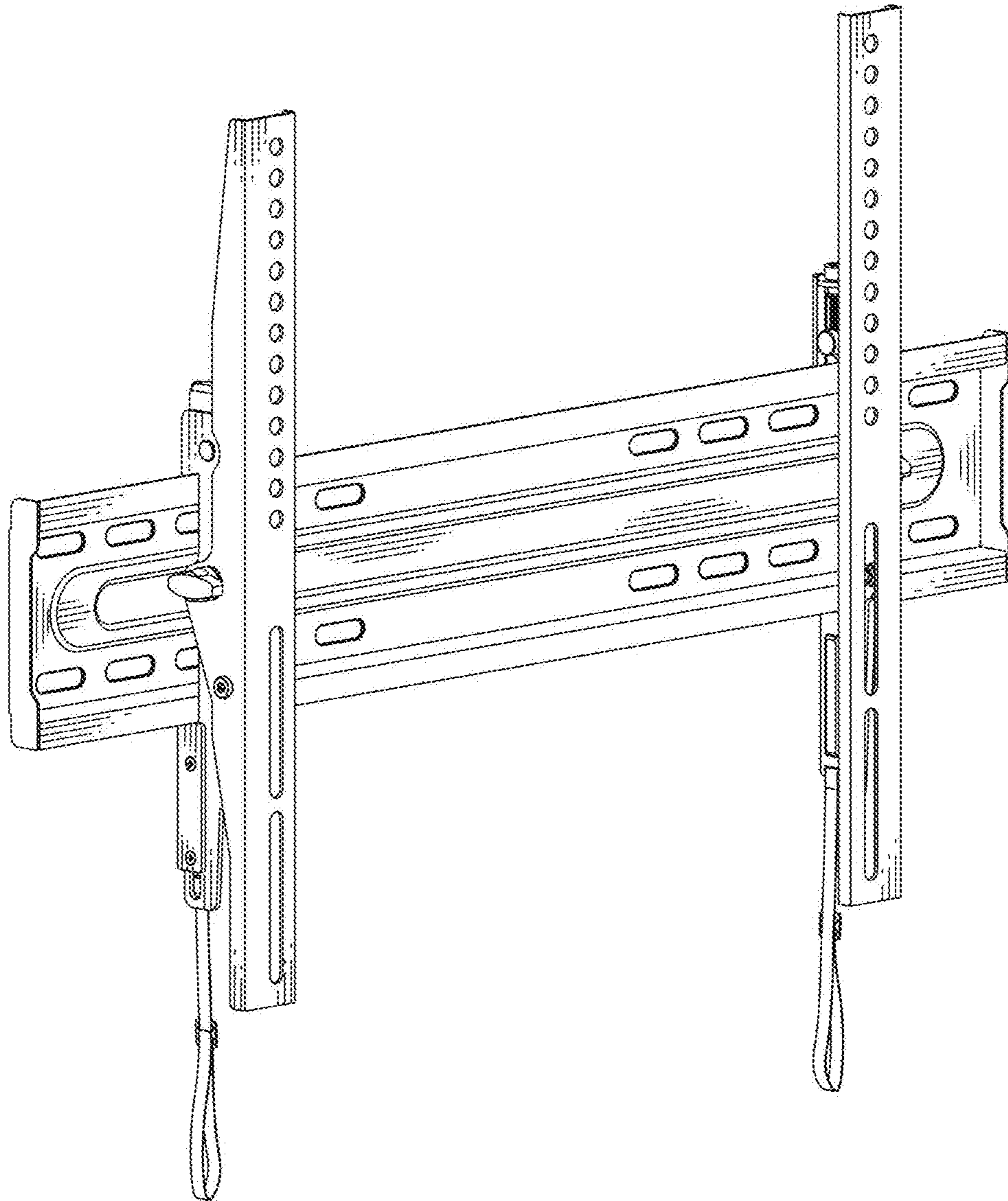


FIG. 7

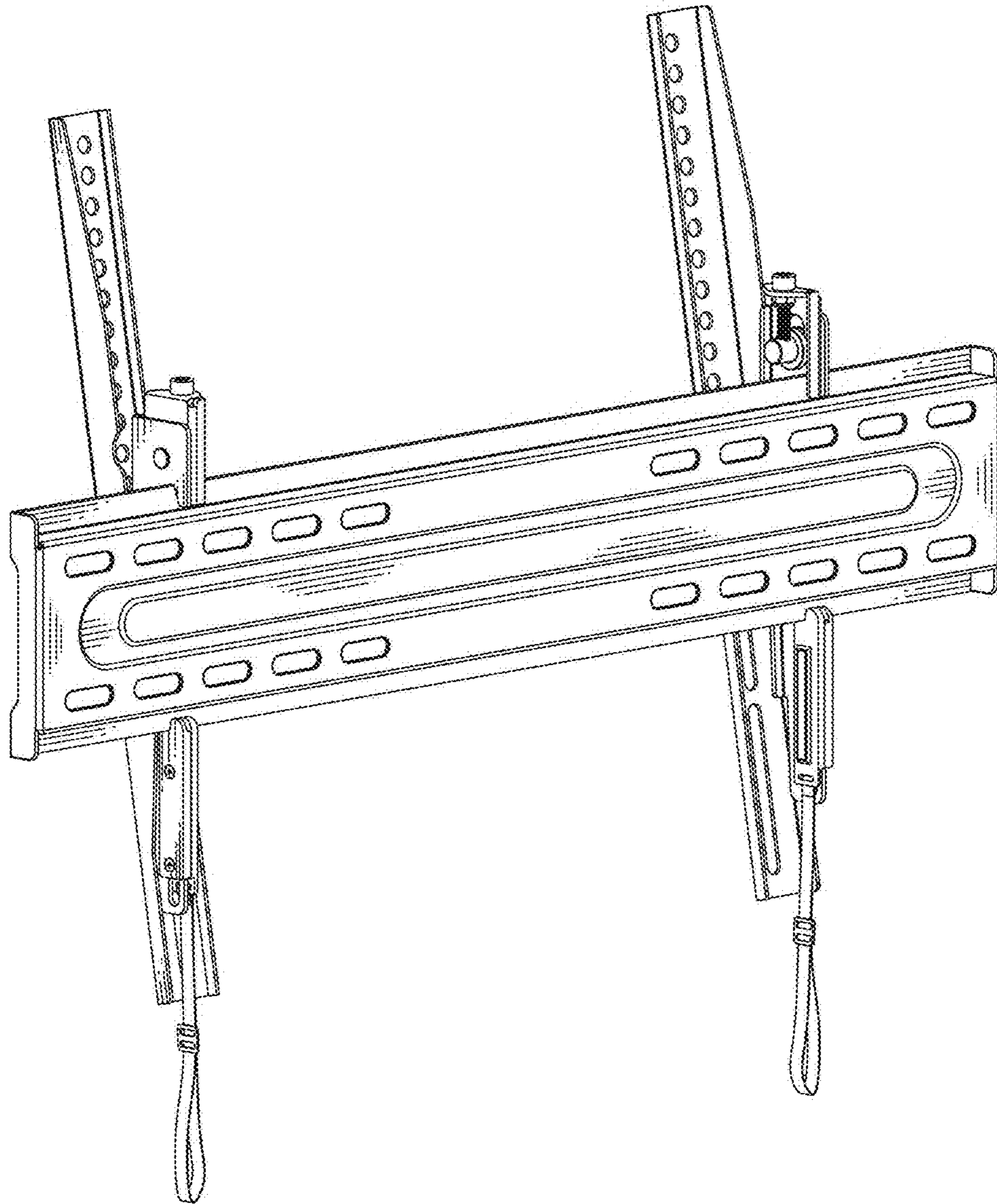


FIG. 8

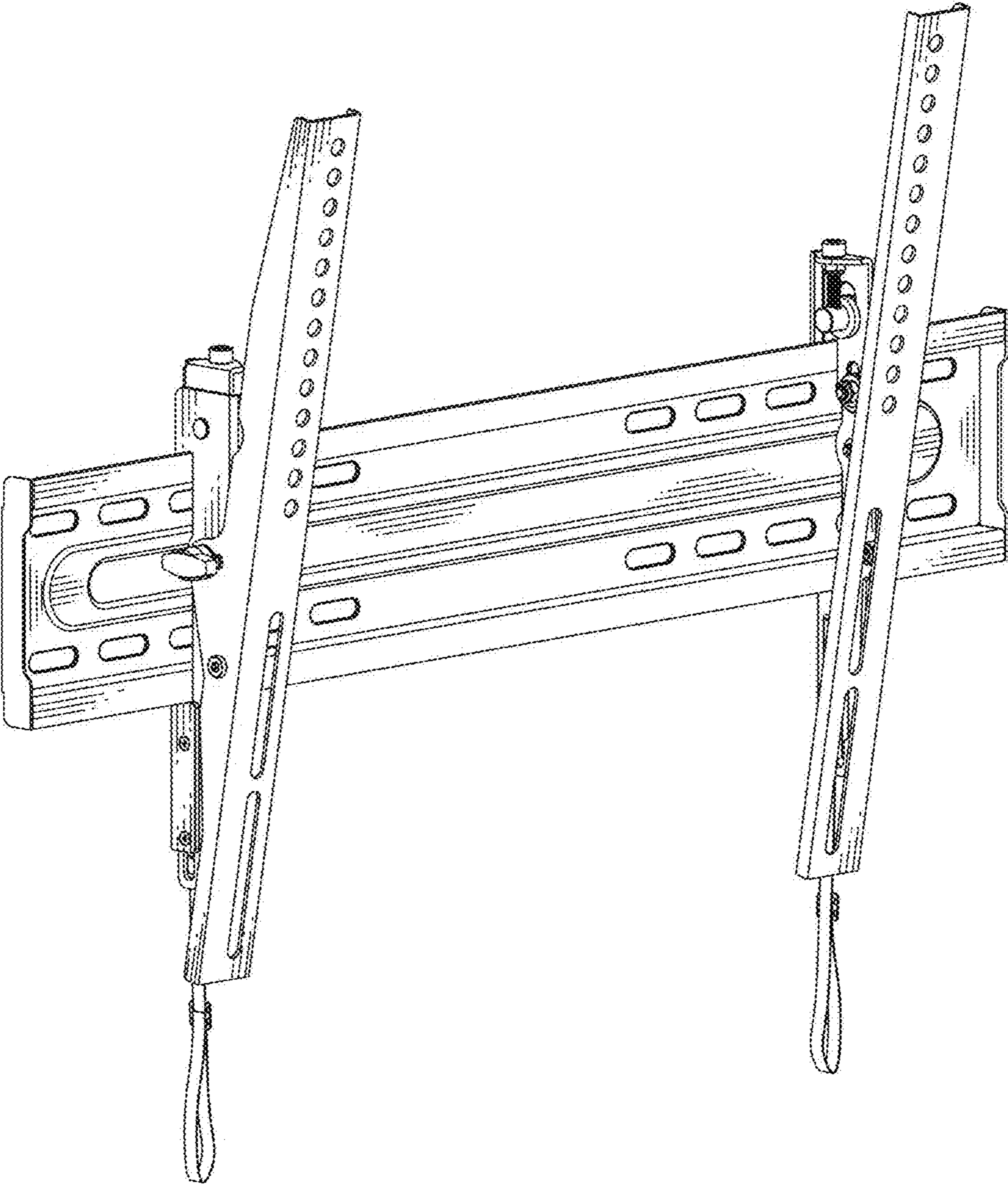


FIG. 9