



US00D904360S

(12) **United States Design Patent** (10) **Patent No.:** **US D904,360 S**
Pei (45) **Date of Patent:** **** Dec. 8, 2020**

(54) **TV MOUNT BRACKET**

(71) Applicant: **Xubo Pei**, Shenzhen (CN)

(72) Inventor: **Xubo Pei**, Shenzhen (CN)

(**) Term: **15 Years**

(21) Appl. No.: **29/705,474**

(22) Filed: **Sep. 12, 2019**

(51) **LOC (12) Cl.** **14-03**

(52) **U.S. Cl.**
USPC **D14/239**

(58) **Field of Classification Search**
USPC D14/371-382, 125-129, 336, 337,
D14/447-452, 492, 335, 239, 457,
D14/439-441, 432, 251-253; D8/349,
D8/354, 363, 373, 376, 380; D21/333;
D12/415; D3/218; 348/180, 184, 325,
348/739, 825

CPC G06F 3/0412; G06F 3/016; G06F 3/0488;
G06F 3/011; G06F 3/038; G06F 3/03543;
G06F 3/0338; G06F 3/0202; G06F
3/0219; G06F 3/0213; G06F 1/1616;
G06F 3/023; G06F 3/04883; G02F
1/13338; G02F 1/1313; G02F 1/1333;
G02F 1/135; G02F 1/132; G02F
1/133308; G02F 1/134309; G02F
1/13718; G09G 3/3648; G06K 15/1252;
B41J 2/465; G03F 7/70291; G02B
27/0172; G02B 5/30; G02B 2027/0118;
G02B 27/0101; F16M 13/02; F16M
13/00; F16M 11/10; F16M 11/04; F16M
2200/08; F16M 11/2021; A47B 21/0314;
A47B 88/044; A47B 2021/0335; H02G
3/126; F16B 47/00; F16B 47/006; A47G
1/17; A47K 2201/00

See application file for complete search history.

(56) **References Cited**

U.S. PATENT DOCUMENTS

D493,800 S *	8/2004	Pfister	D14/451
D517,085 S *	3/2006	Deuschle	D14/451
D528,901 S *	9/2006	David	D8/373
D538,140 S *	3/2007	Ly Hau	D8/373
D539,637 S *	4/2007	Ly Hau	D8/373
D563,962 S *	3/2008	Grey	D14/452
D635,130 S *	3/2011	Skull	D14/239
D811,375 S *	2/2018	Pei	D14/239
D811,376 S *	2/2018	Pei	D14/239
D836,617 S *	12/2018	Shu	D14/239
D848,990 S *	5/2019	Pei	D14/239
D858,493 S *	9/2019	Pei	D14/239
D888,027 S *	6/2020	Pei	D14/239

* cited by examiner

Primary Examiner — Katie Jane Stoffko

(74) *Attorney, Agent, or Firm* — Maier & Maier, PLLC

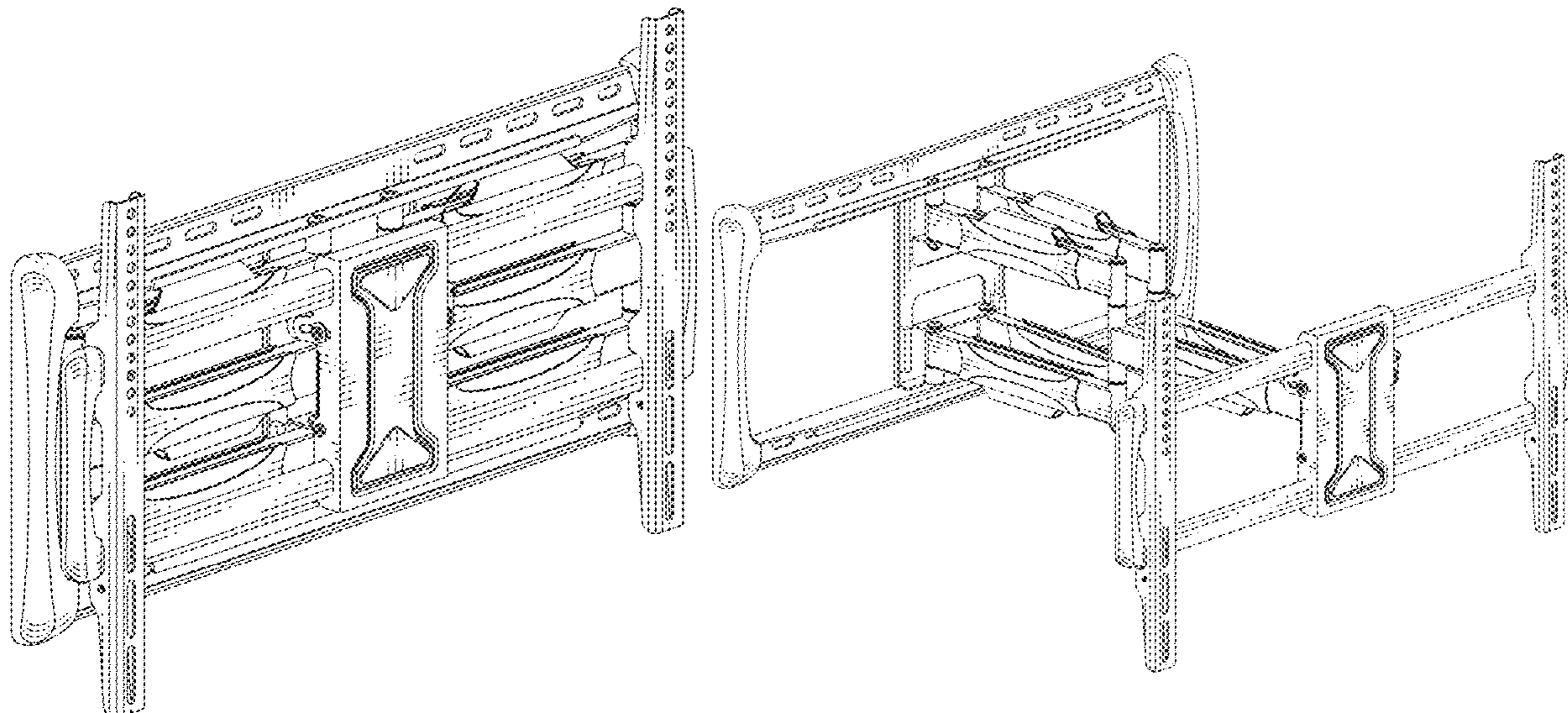
(57) **CLAIM**

The ornamental design for a TV mount bracket, as shown and described.

DESCRIPTION

FIG. 1 is a front view of a TV mount bracket showing the new design;
FIG. 2 is a rear view thereof;
FIG. 3 is a left side view thereof;
FIG. 4 is a right side view thereof;
FIG. 5 is a top plan view thereof;
FIG. 6 is a bottom plan view thereof;
FIG. 7 is a front, top, left side perspective view thereof;
FIG. 8 is a front, top, left side perspective view thereof, shown in an alternate position; and,
FIG. 9 is a rear, top, left side perspective view thereof, shown in an alternate position.
The shade lines in the Figures show contour and not surface ornamentation.

1 Claim, 8 Drawing Sheets



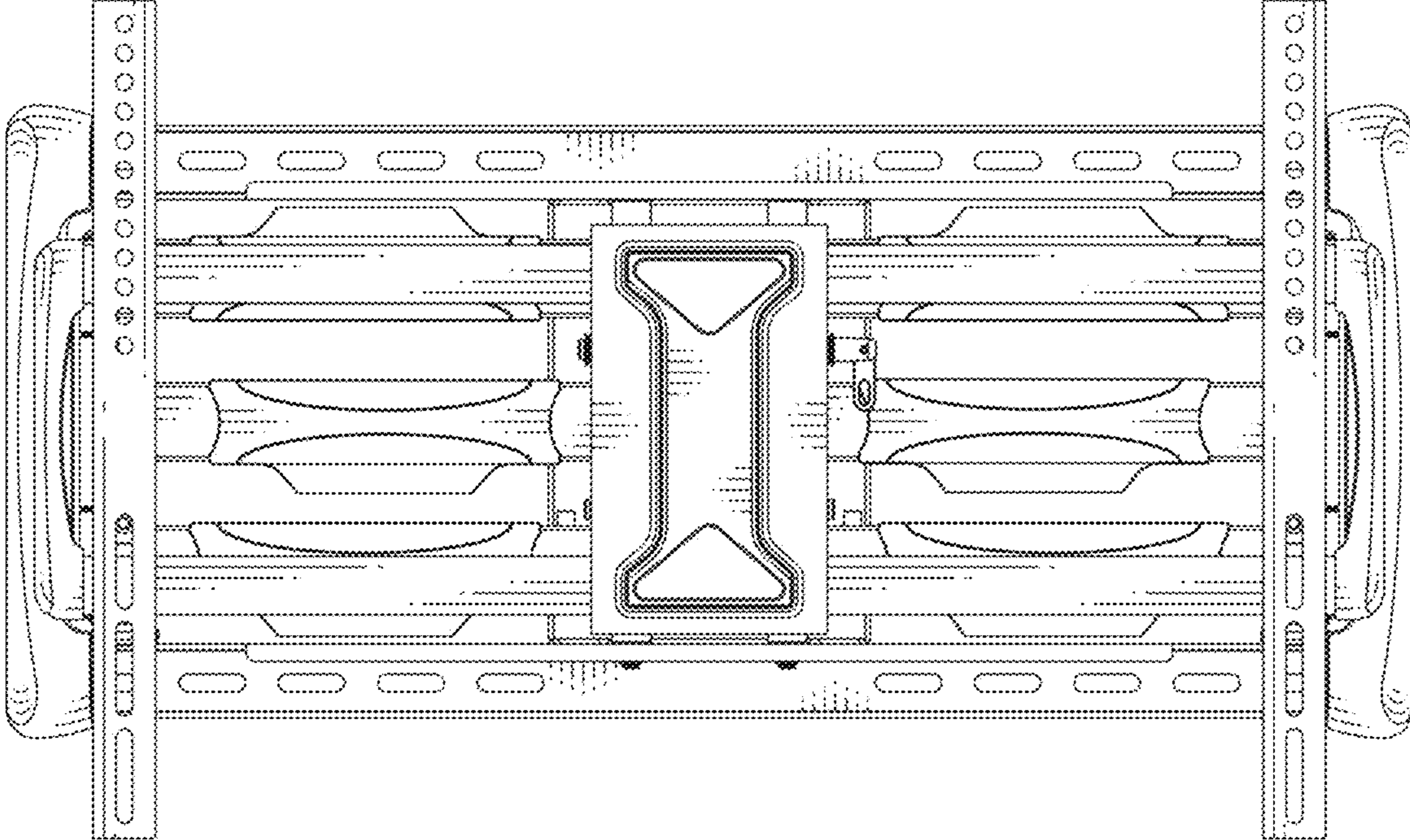


FIG. 1

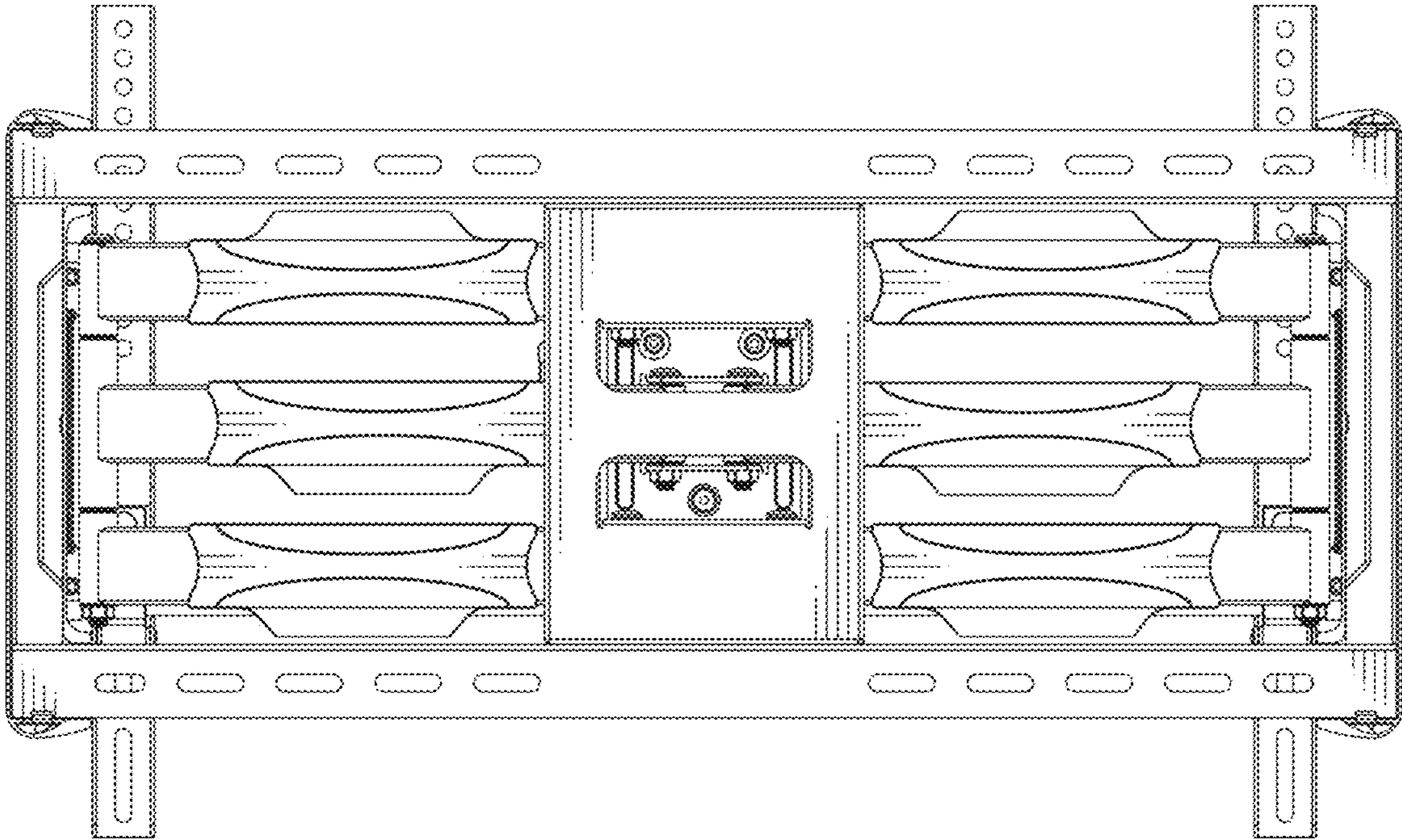


FIG. 2

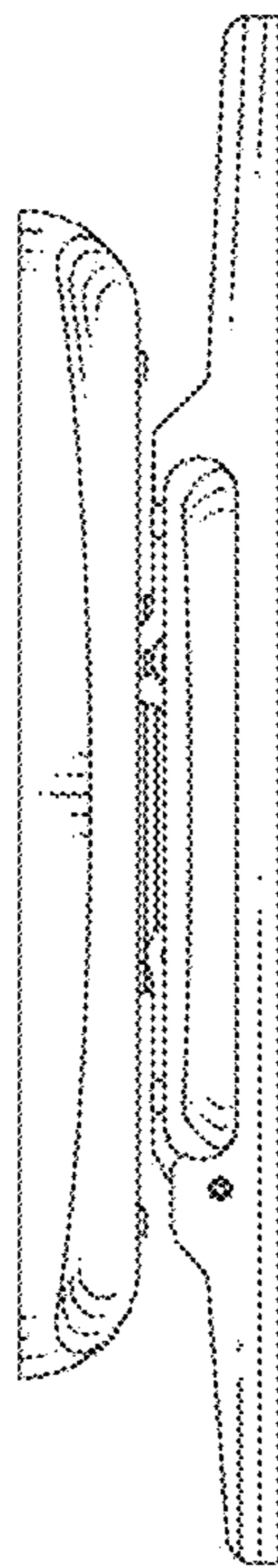


FIG. 3

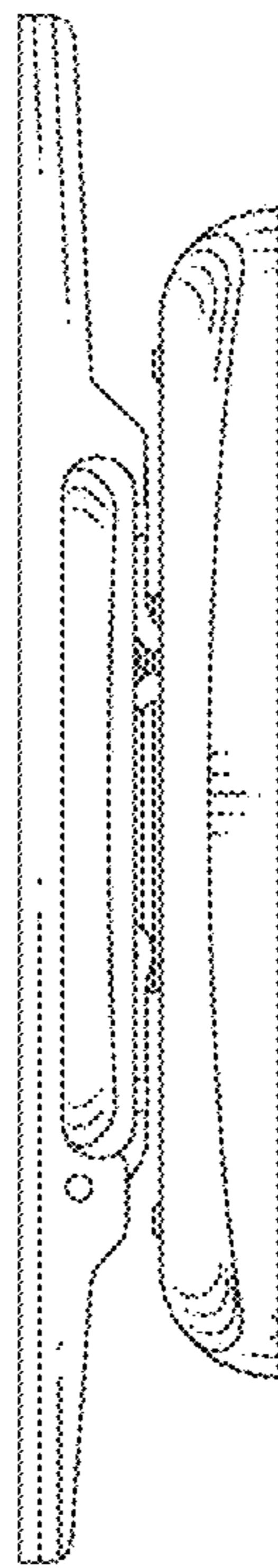


FIG. 4

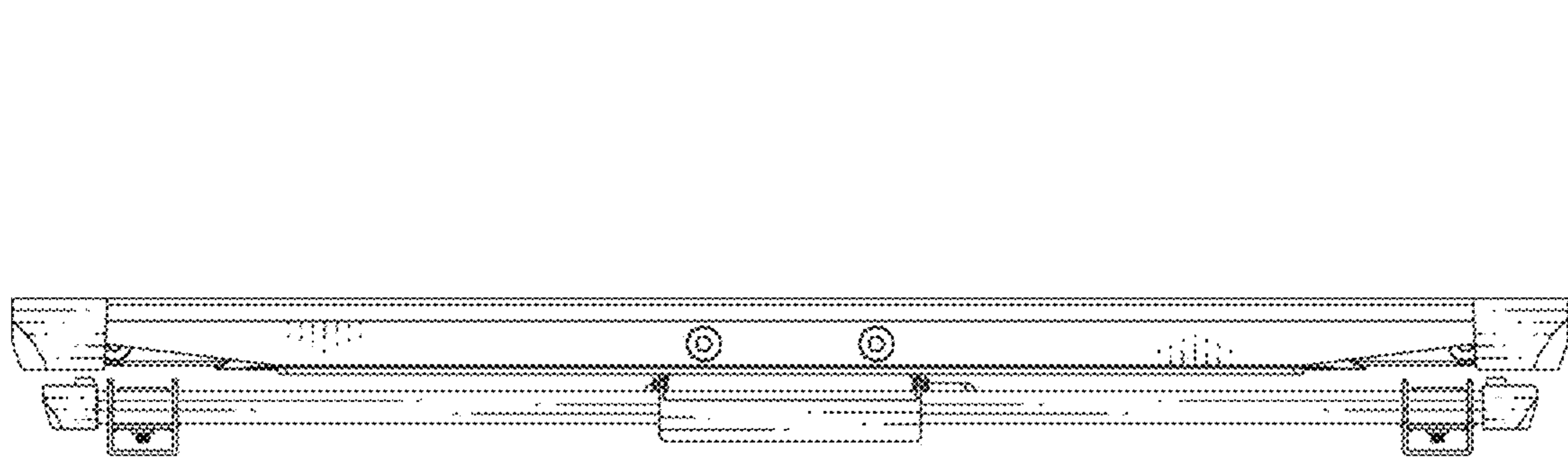


FIG. 5

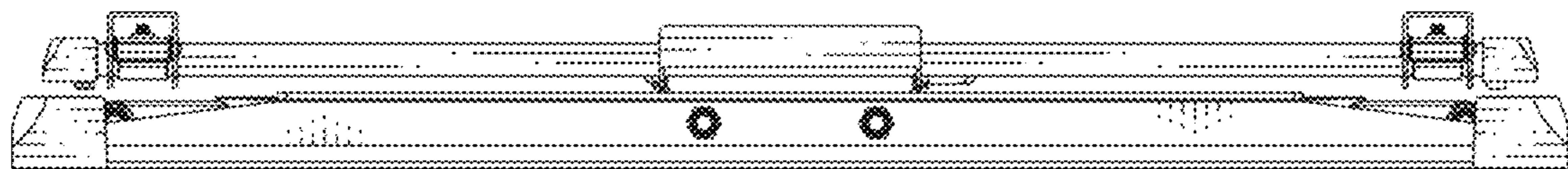


FIG. 6

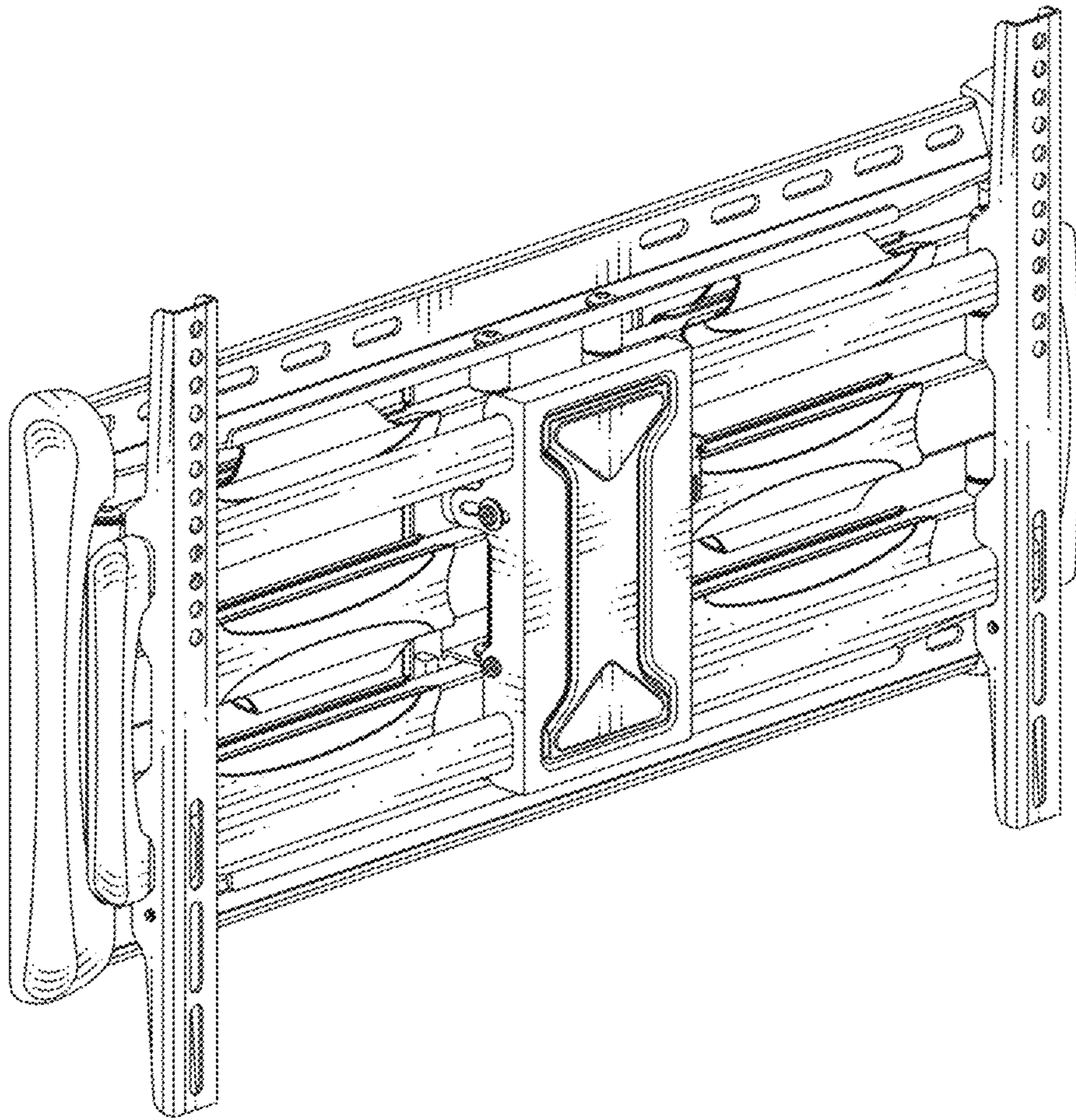


FIG. 7

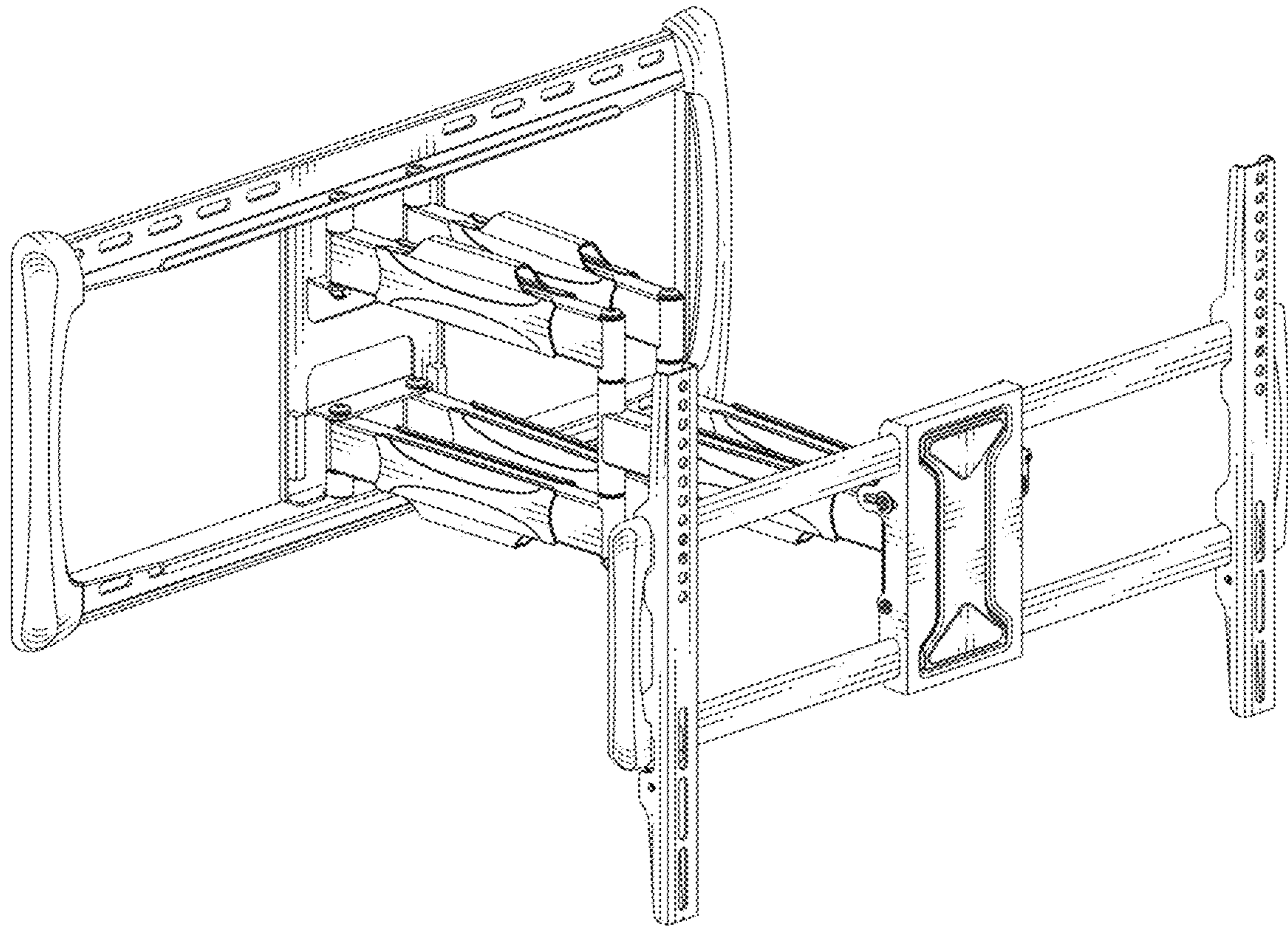


FIG. 8

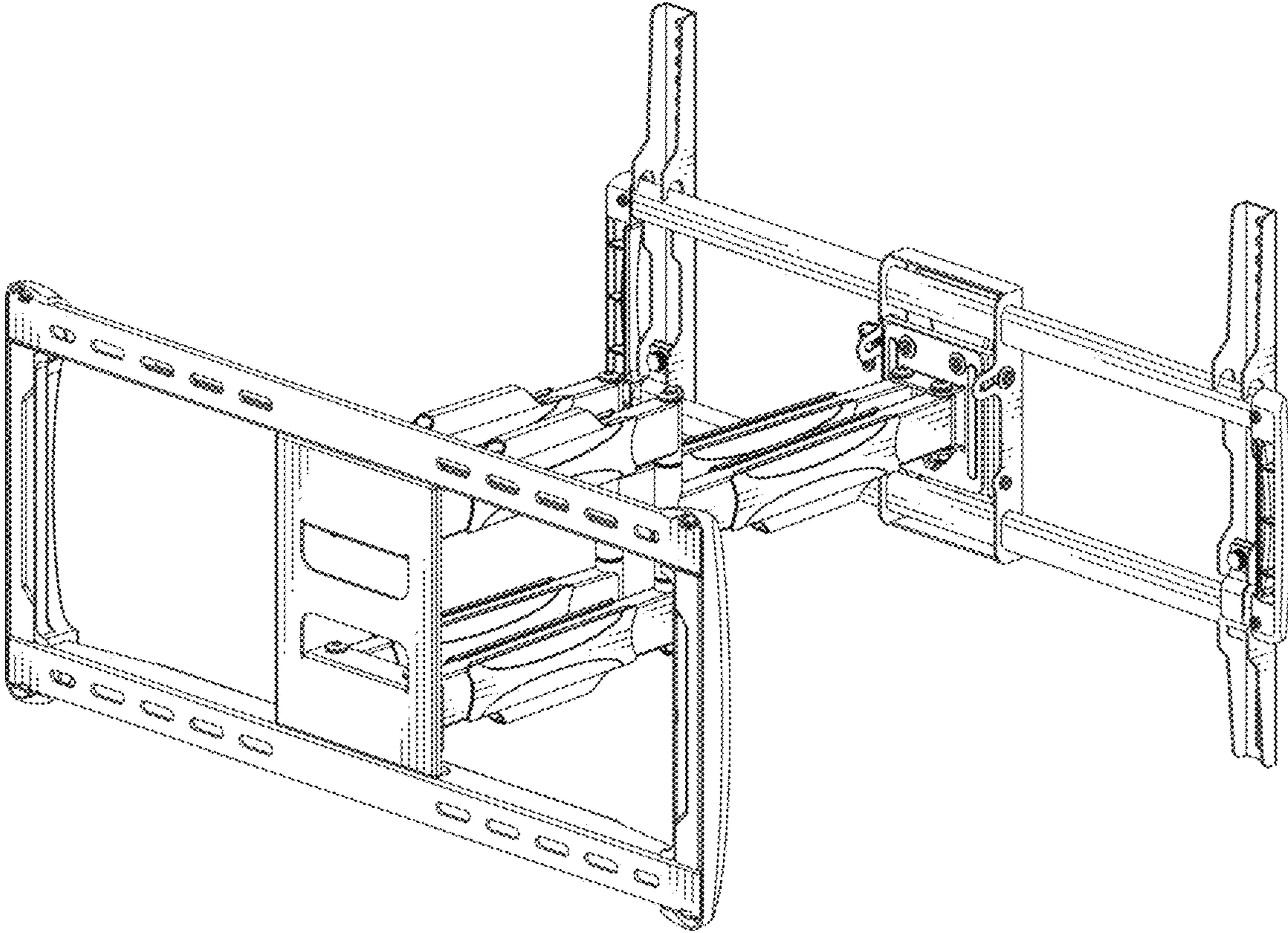


FIG. 9