



US00D904357S

(12) **United States Design Patent** (10) **Patent No.:** **US D904,357 S**
He et al. (45) **Date of Patent:** **** Dec. 8, 2020**

(54) **ANTENNA**

(71) Applicant: **Airgain Incorporated**, San Diego, CA (US)

(72) Inventors: **Ziming He**, Irvine, CA (US); **Xiangjie Bian**, Zhang Jia Gang (CN)

(73) Assignee: **Airgain, Inc.**, San Diego, CA (US)

(**) Term: **15 Years**

(21) Appl. No.: **29/715,972**

(22) Filed: **Dec. 5, 2019**

Related U.S. Application Data

(62) Division of application No. 29/684,787, filed on Mar. 24, 2019, now Pat. No. Des. 869,448, which is a division of application No. 29/659,334, filed on Aug. 8, 2018, now abandoned, which is a division of application No. 29/609,556, filed on Jun. 30, 2017, now Pat. No. Des. 825,538, which is a division of application No. 29/555,964, filed on Feb. 25, 2016, now Pat. No. Des. 791,108.

(51) **LOC (12) Cl.** **14-03**

(52) **U.S. Cl.**
USPC **D14/230**

(58) **Field of Classification Search**
USPC D14/230, 234, 236, 299, 358; D13/182
CPC H01Q 1/088; H01Q 3/10; H01Q 21/00;
H04B 7/0608; A61B 2018/1892

See application file for complete search history.

(56) **References Cited**

U.S. PATENT DOCUMENTS

D694,738 S *	12/2013	Yang	D14/230
D786,840 S *	5/2017	He	D14/230
D791,108 S *	7/2017	He	D14/230
D795,848 S *	8/2017	Zheng	D14/230
D801,957 S *	11/2017	He	D14/230
D825,538 S *	8/2018	He	D14/230
D868,759 S *	12/2019	He	D14/230
D869,448 S *	12/2019	He	D14/230
2005/0259024 A1 *	11/2005	Hung	H01Q 1/36 343/770

* cited by examiner

Primary Examiner — Khawaja Anwar

Assistant Examiner — Mojtaba Tehrani

(74) *Attorney, Agent, or Firm* — Clause Eight IPS;
Michael Catania

(57) **CLAIM**

The ornamental design for an antenna, as shown and described.

DESCRIPTION

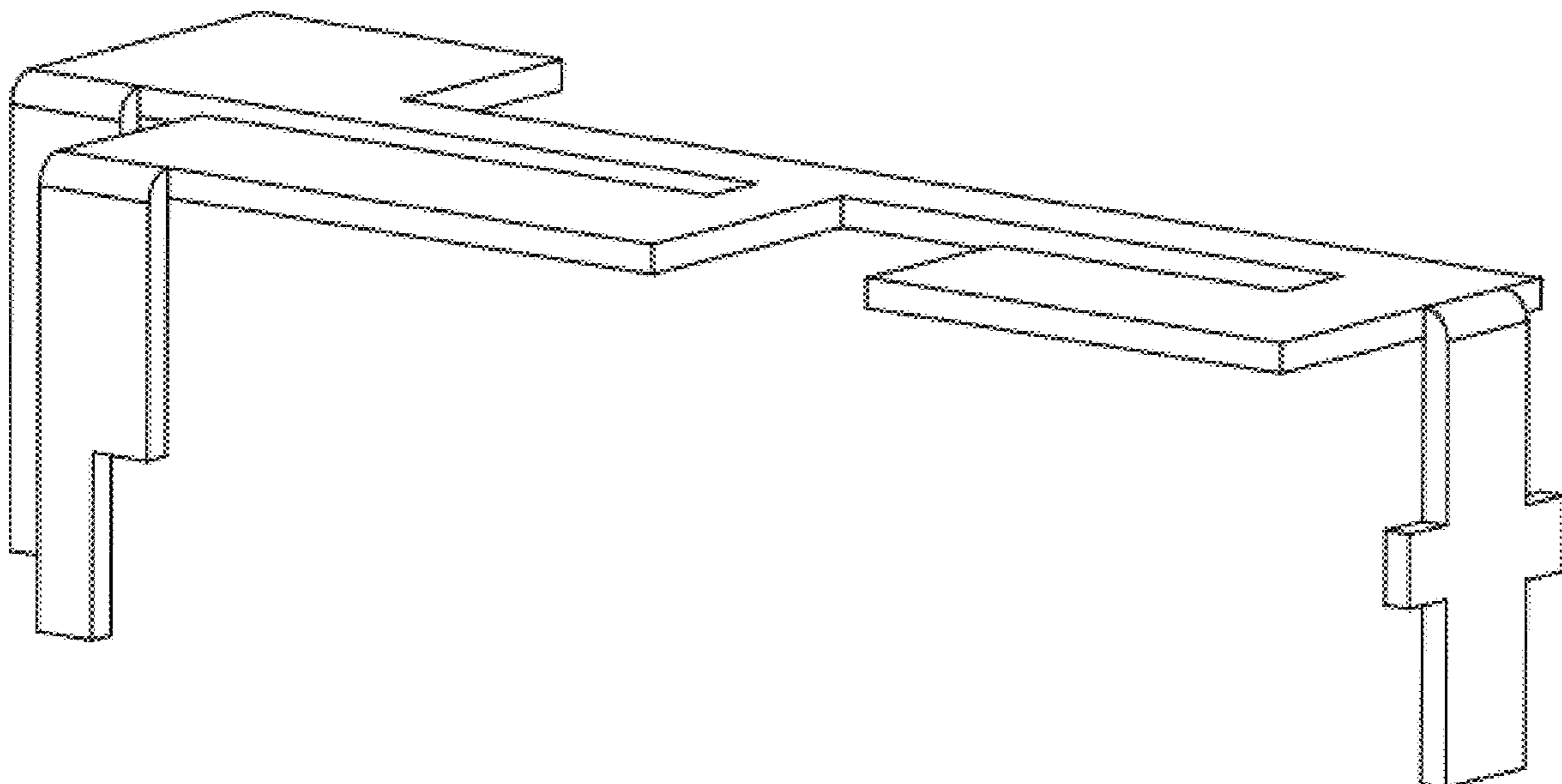
FIG. 1 is a top perspective view of an antenna, showing our new design;

FIG. 2 is a top plan view thereof;

FIG. 3 is a front elevation view thereof; and,

FIG. 4 is a side elevation view thereof.

1 Claim, 1 Drawing Sheet



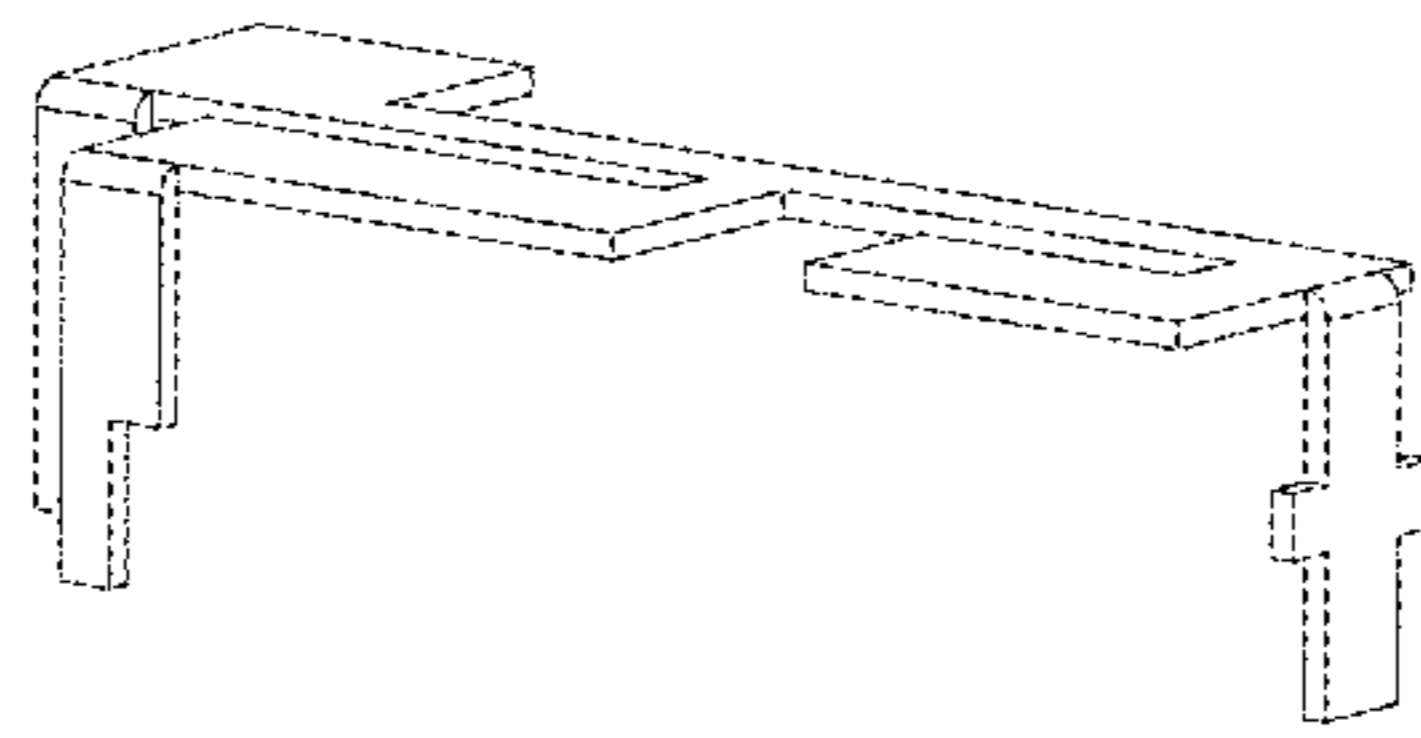


FIG. 1

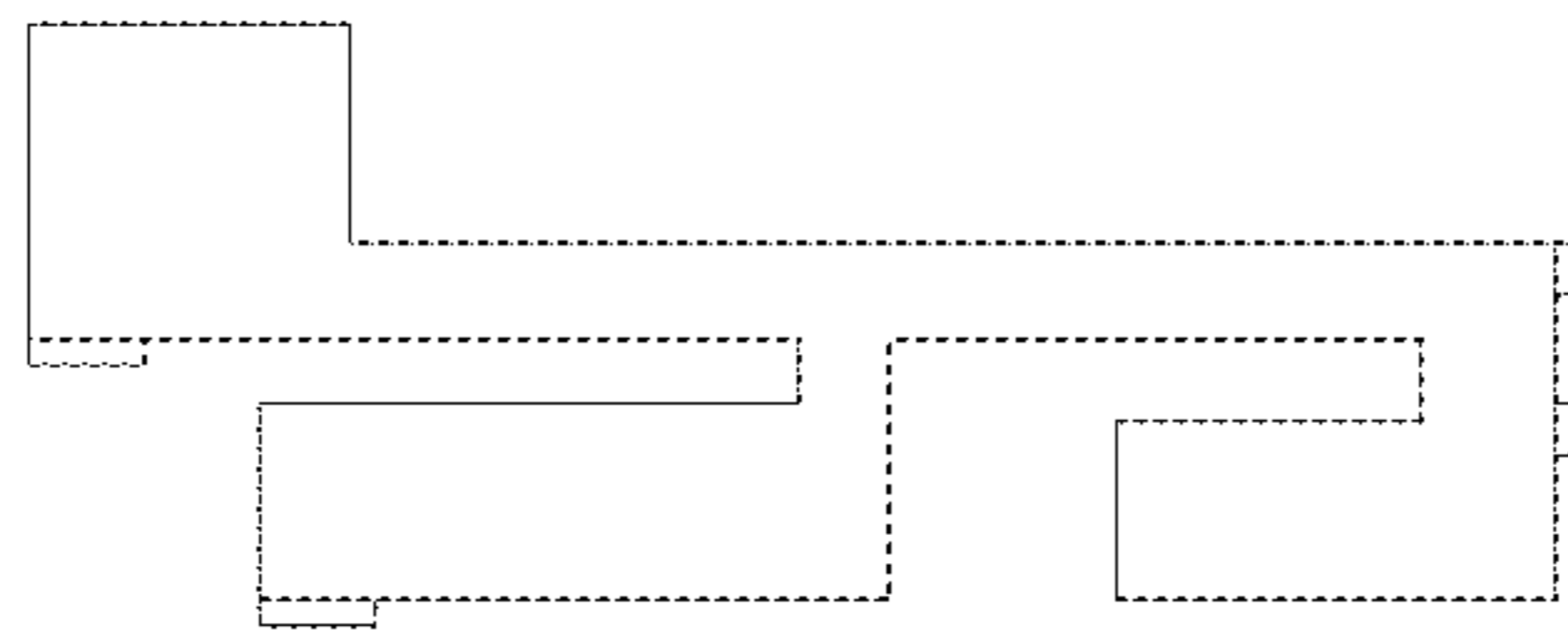


FIG. 2

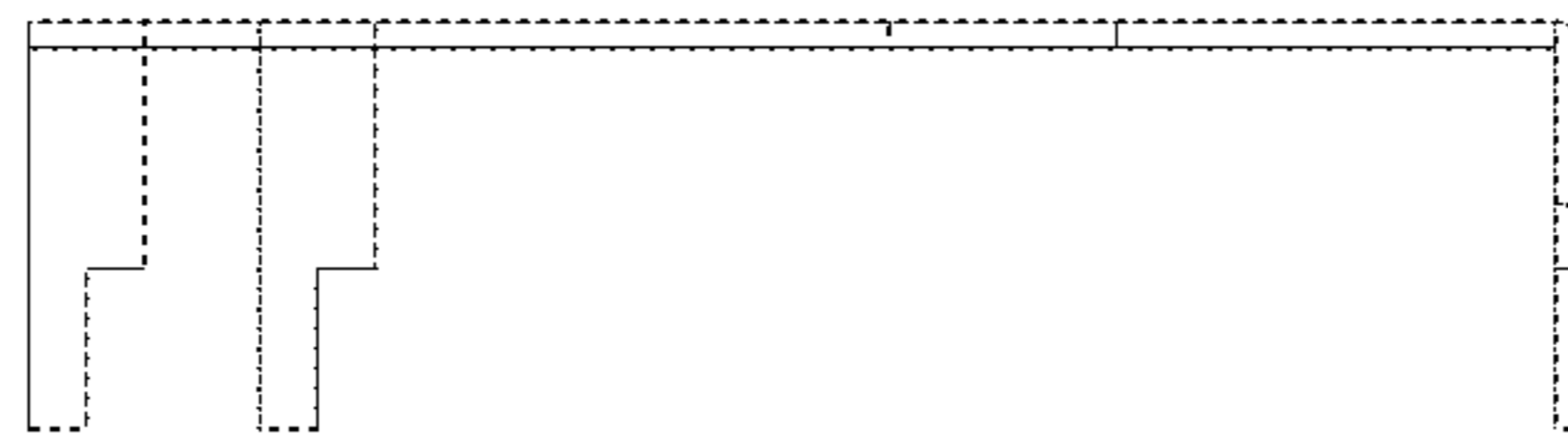


FIG. 3

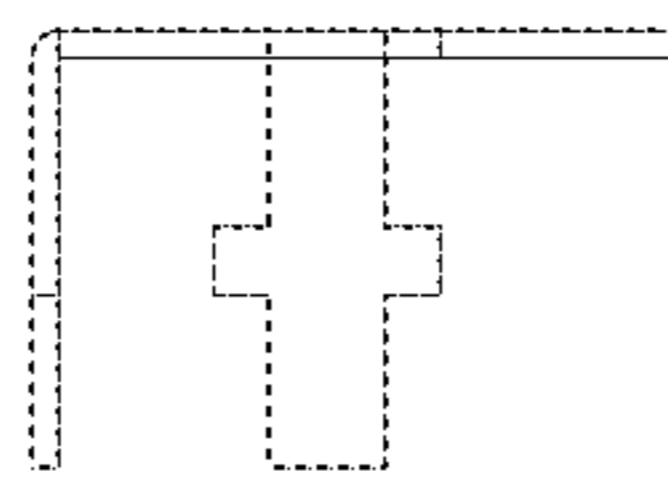


FIG. 4