



US00D904354S

(12) **United States Design Patent** (10) **Patent No.:** **US D904,354 S**
Rabrenovic (45) **Date of Patent:** **** Dec. 8, 2020**

(54) **SPEAKER COMPONENT RETAINER BRIDGE**

(71) Applicant: **Alpine Electronics, Inc.**, Tokyo (JP)

(72) Inventor: **Milan Rabrenovic**, Los Angeles, CA (US)

(73) Assignee: **Alpine Electronics, Inc.**, Tokyo (JP)

(**) Term: **15 Years**

(21) Appl. No.: **29/630,831**

(22) Filed: **Dec. 22, 2017**

(51) **LOC (12) Cl.** **14-01**

(52) **U.S. Cl.**
USPC **D14/224**

(58) **Field of Classification Search**
USPC D14/224-229; D16/244; D17/99;
D6/681; 248/125.1, 166, 185.1;
381/355, 359, 361-363, 365, 366, 369,
381/375; 379/428.01, 428.04, 431,
379/433.03

CPC . H04R 25/00; H04R 1/02; H04R 5/02; H04R
9/08; F16M 11/38; F16M 13/00; F16M
11/00

See application file for complete search history.

(56) **References Cited**

U.S. PATENT DOCUMENTS

D197,716 S *	3/1964	Boldt et al.	D14/216
D261,057 S *	9/1981	Wotowiec	D26/79
4,365,114 A	12/1982	Soma		
D510,084 S *	9/2005	Hasbrook	D14/221
D522,497 S *	6/2006	Morisawa	D14/221
D550,209 S *	9/2007	Mizokawa	D14/216
D559,835 S	1/2008	Marshall		
D577,858 S *	9/2008	Chetcuti	D26/142
D593,073 S *	5/2009	Kurihara	D14/216
D600,676 S *	9/2009	Maurer	D14/209
D607,439 S *	1/2010	Jokinen	D14/216

D635,553 S *	4/2011	Yagihashi	D14/216
D652,408 S	1/2012	Chen		
8,150,095 B2	4/2012	Kemmerer		
8,983,104 B2	3/2015	Shimamura		
9,479,873 B2	10/2016	Yamagami et al.		
D777,707 S *	1/2017	Kimura	D14/216
D811,374 S *	2/2018	Tubis	D14/221
D848,402 S *	5/2019	Kurihara	D14/224
D851,711 S *	6/2019	Brezovar	D21/680

(Continued)

FOREIGN PATENT DOCUMENTS

JP	1990113488	9/1990
JP	1994269076	9/1994
JP	1999341574	12/1999

(Continued)

OTHER PUBLICATIONS

Wet Sounds, "Owner's Manual," Wet Sounds Inc., Mar. 20, 2012, 2 pages.

Primary Examiner — Katie Jane Stofko

(74) *Attorney, Agent, or Firm* — Knobbe, Martens, Olson & Bear, LLP

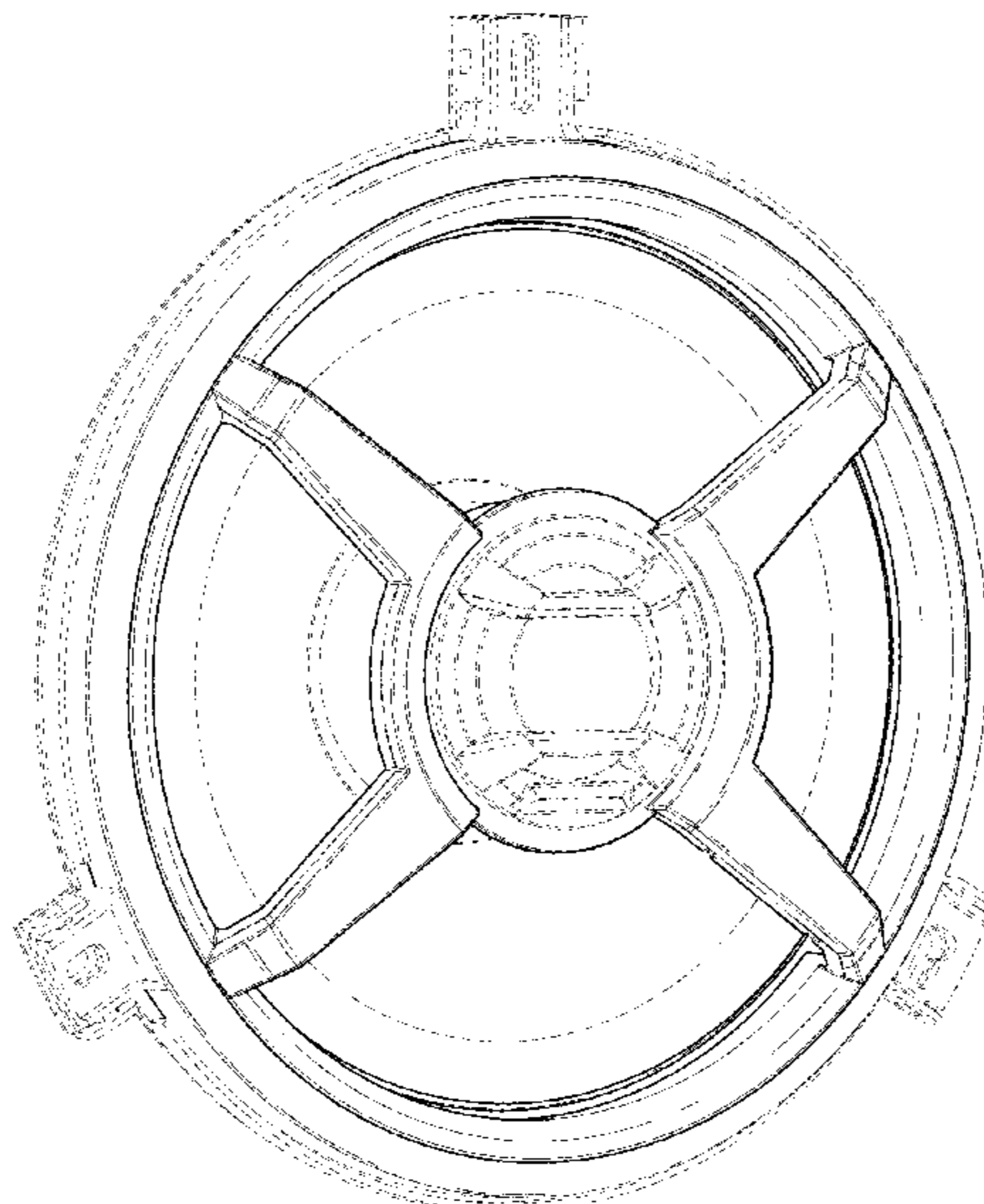
(57) **CLAIM**

The ornamental design for a speaker component retainer bridge, as shown and described.

DESCRIPTION

FIG. 1 is a perspective view of a speaker component retainer bridge;
FIG. 2 is a top plan view thereof;
FIG. 3 is a bottom plan view thereof;
FIG. 4 is a right side elevation view thereof; and,
FIG. 5 is a front elevation view thereof.
Broken lines are used to illustrate portions of the speaker component retainer bridge that form no part of the claimed design.

1 Claim, 5 Drawing Sheets



(56)

References Cited

U.S. PATENT DOCUMENTS

D875,717 S * 2/2020 Horiuchi D14/216
2005/0224281 A1* 10/2005 Gordon G10K 11/004
181/153

FOREIGN PATENT DOCUMENTS

JP 3657814 6/2005
JP 2008131269 6/2008

* cited by examiner

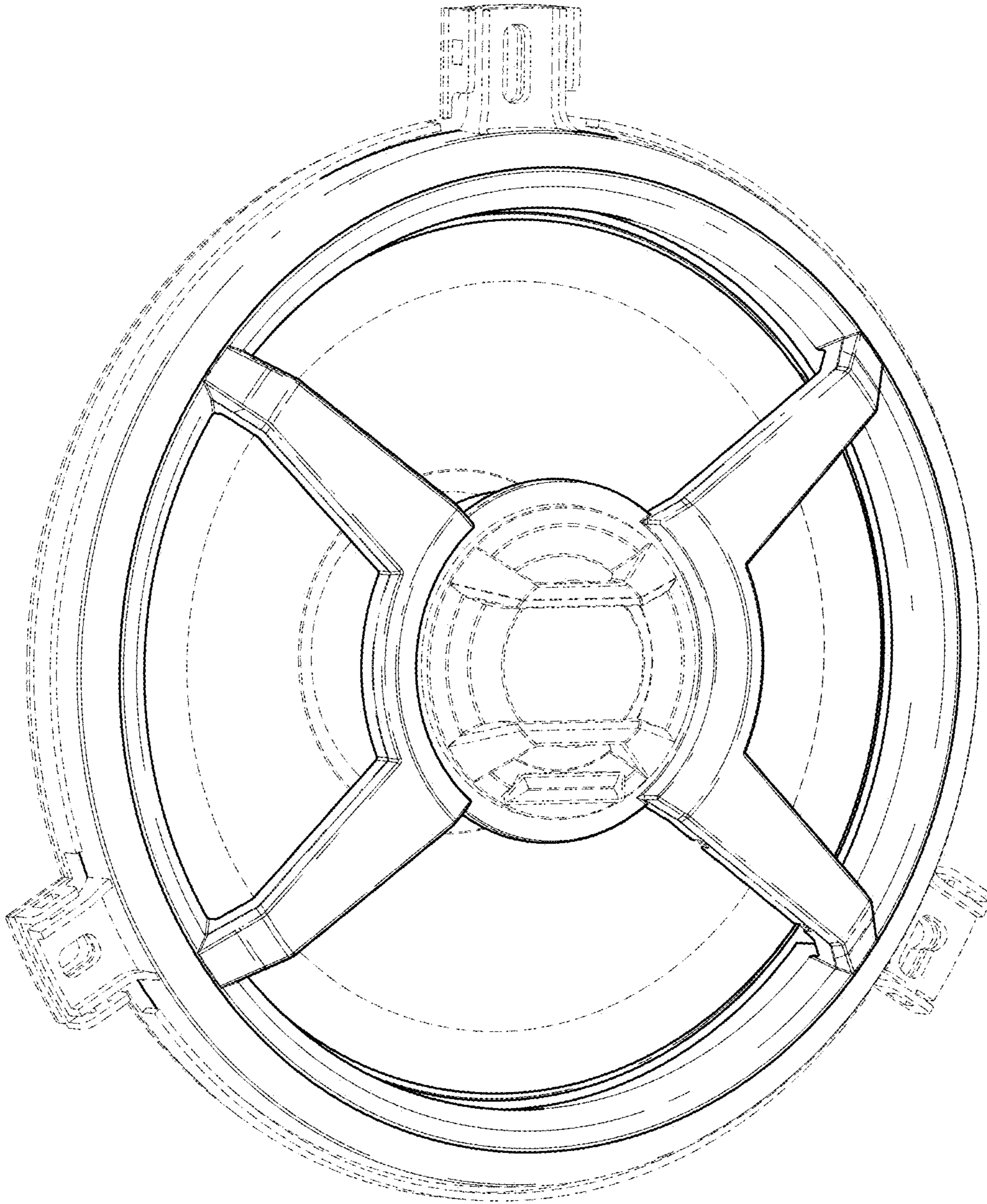


FIG. 1

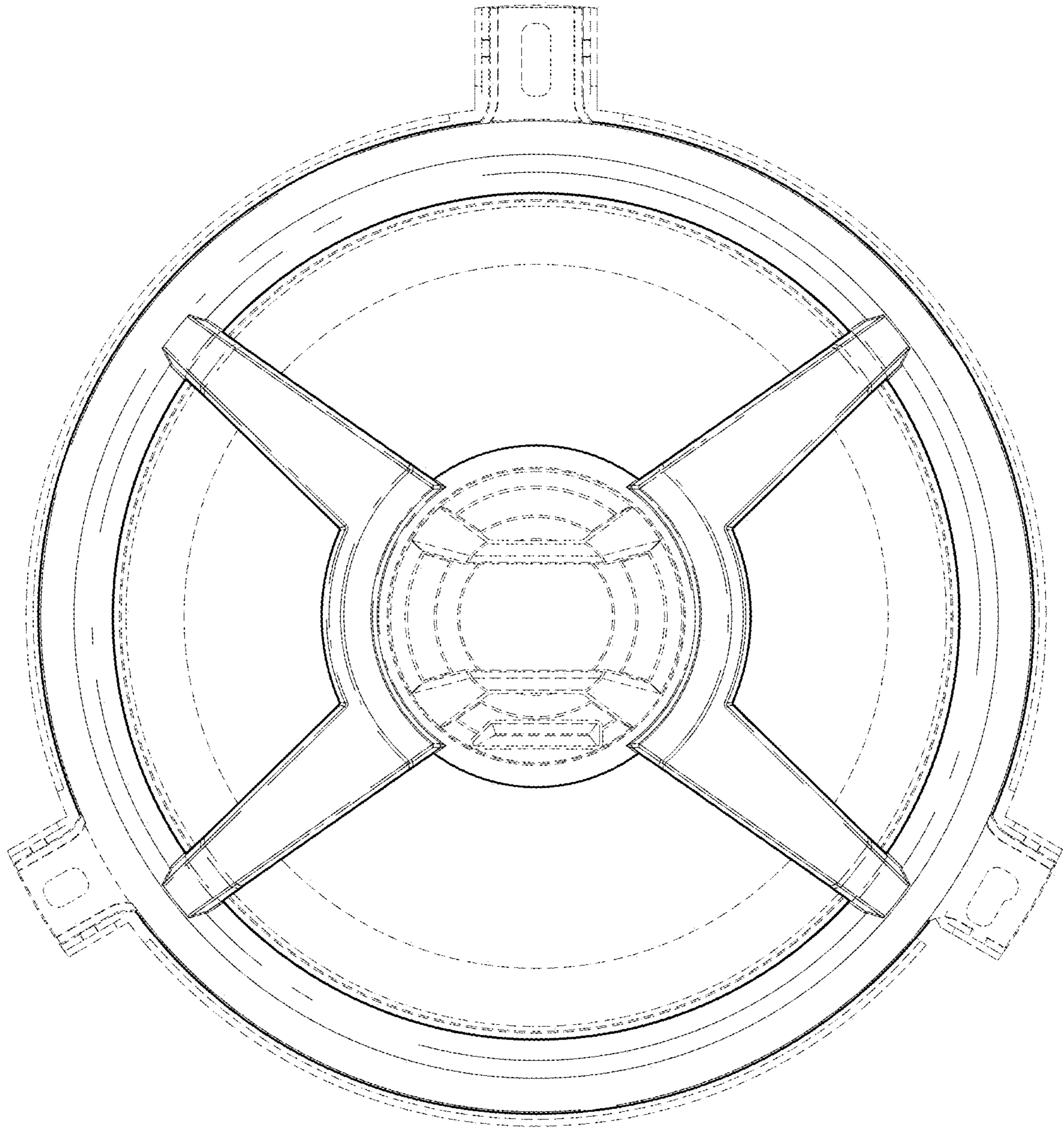


FIG. 2

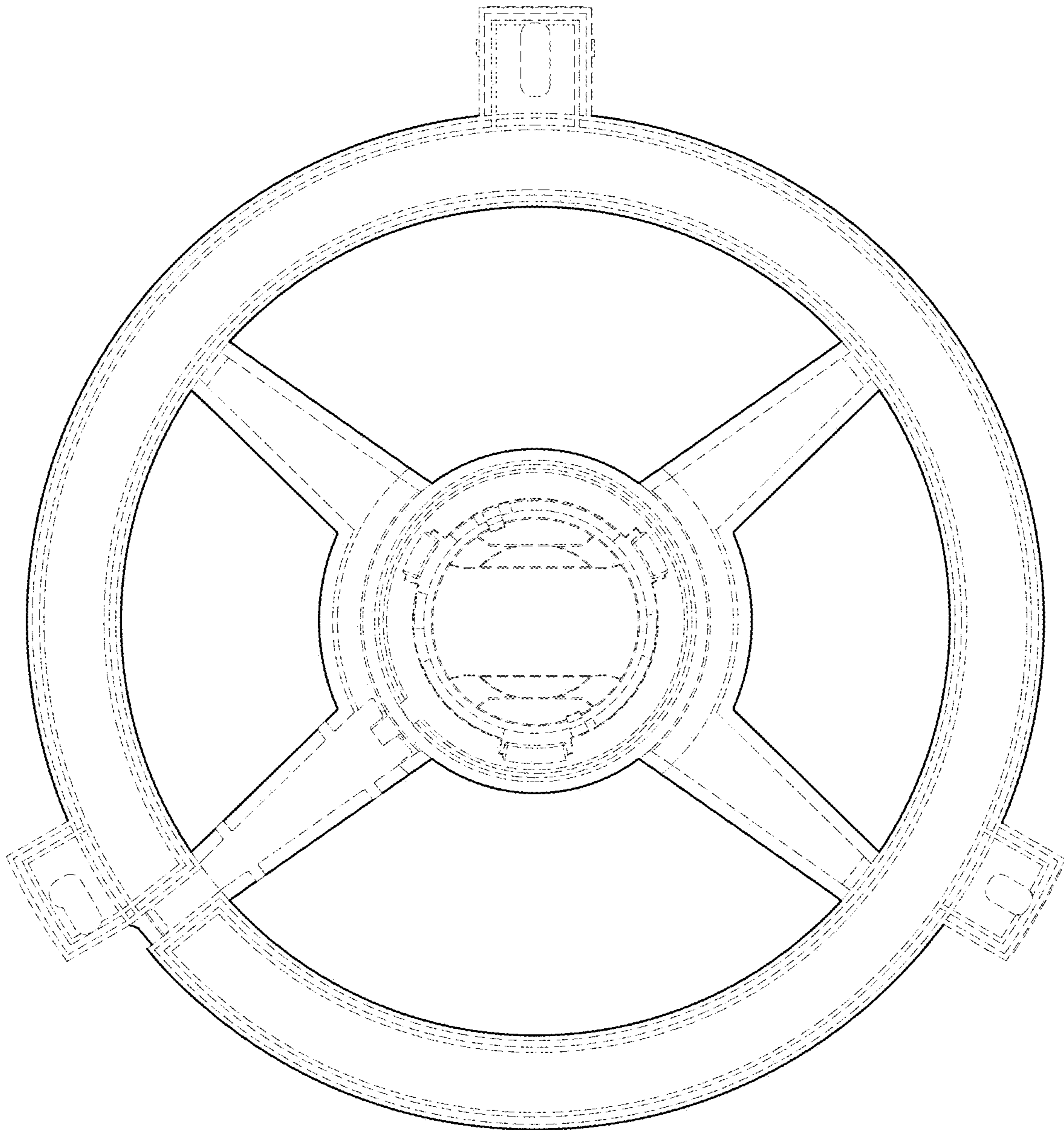


FIG. 3

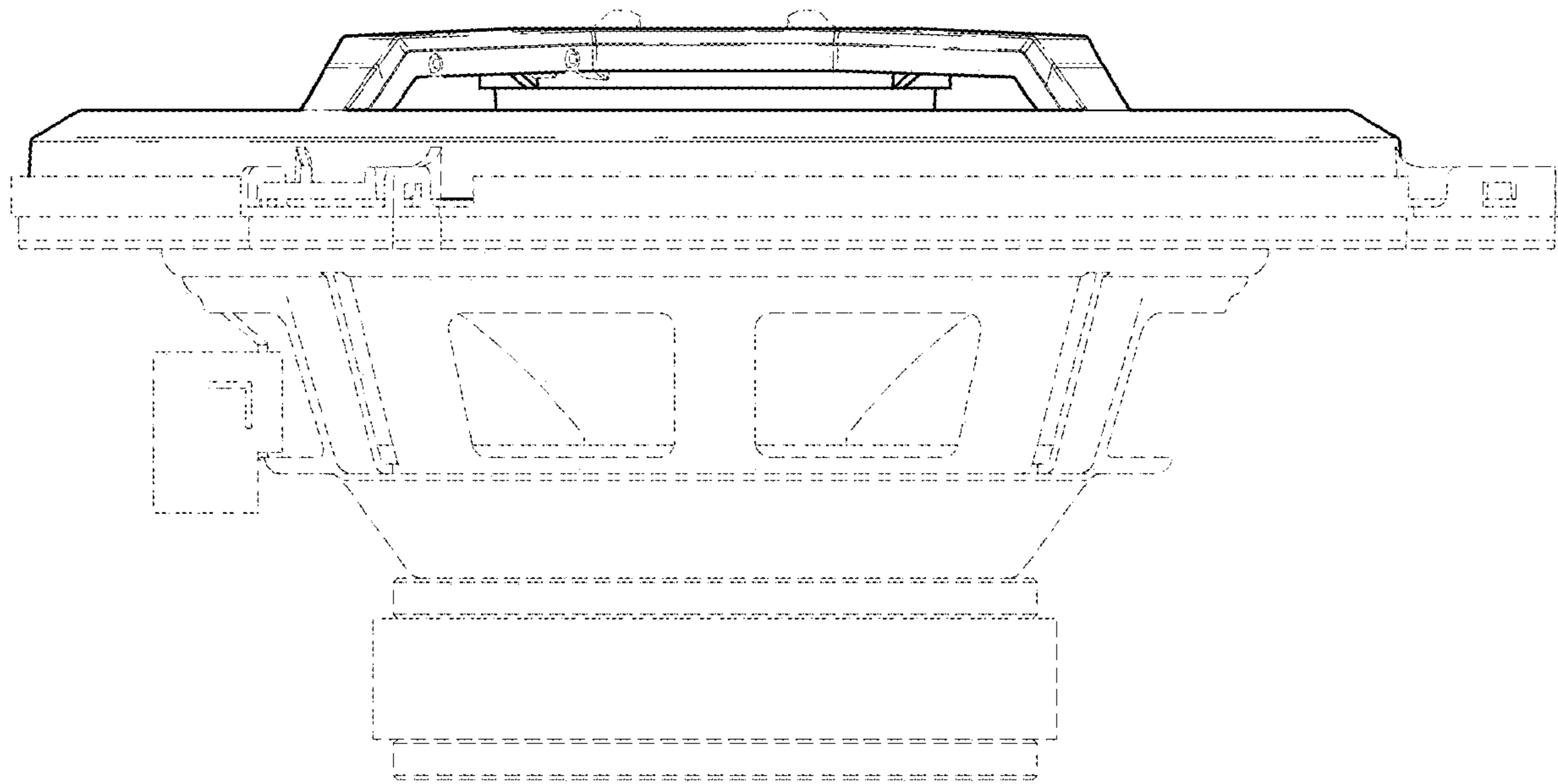


FIG. 4

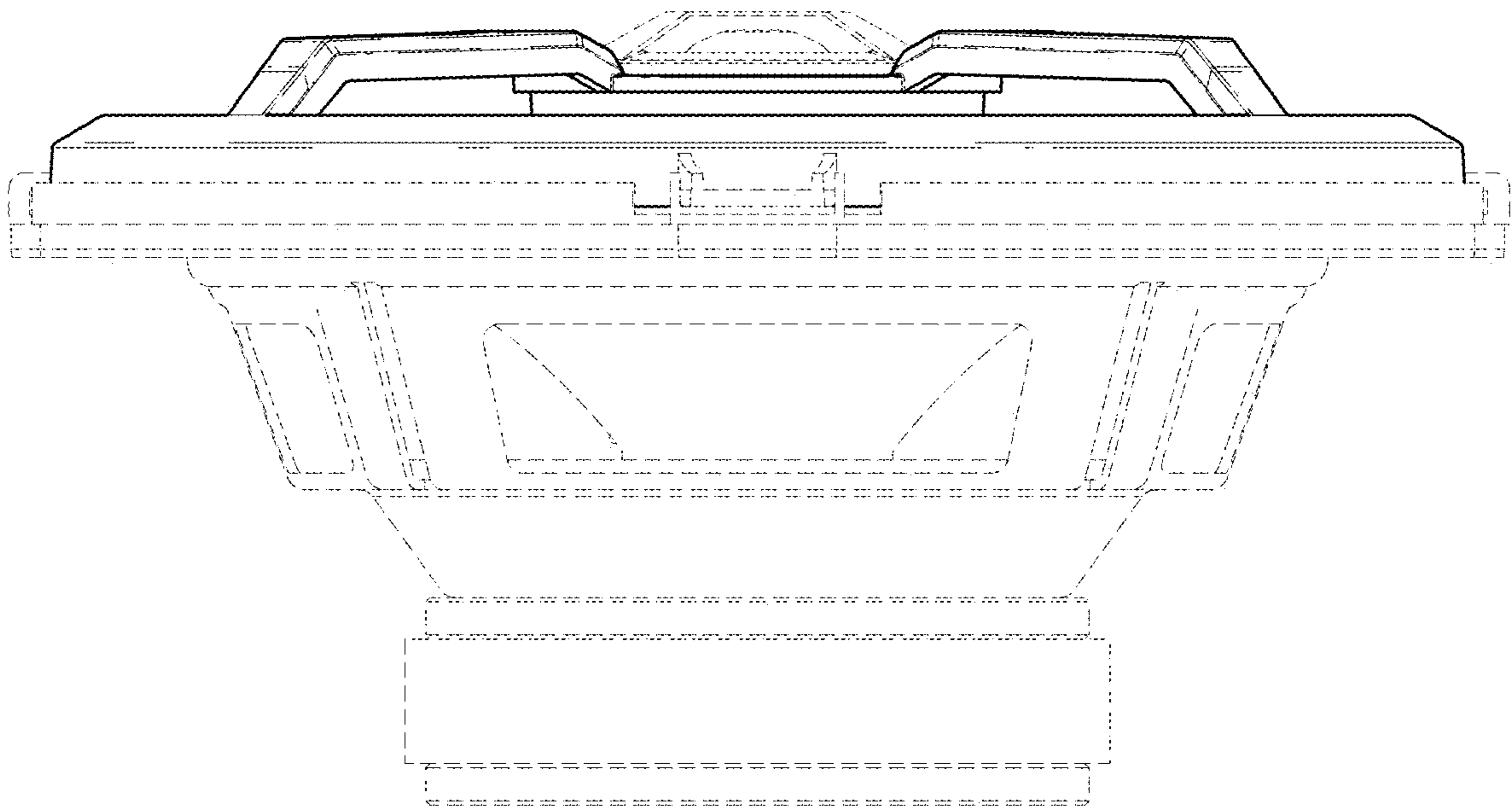


FIG. 5