



US00D904353S

(12) **United States Design Patent** (10) **Patent No.:** **US D904,353 S**
Rabrenovic (45) **Date of Patent:** **** Dec. 8, 2020**

(54) **SPEAKER COMPONENT RETAINER**
(71) Applicant: **Alpine Electronics, Inc.**, Tokyo (JP)
(72) Inventor: **Milan Rabrenovic**, Los Angeles, CA (US)
(73) Assignee: **Alpine Electronics, Inc.**, Tokyo (JP)

D652,408 S 1/2012 Chen
8,150,095 B2 4/2012 Kemmerer
8,983,104 B2 3/2015 Shimamura
9,479,873 B2 10/2016 Yamagami et al.
D777,707 S * 1/2017 Kimura D14/216
D811,374 S * 2/2018 Tubis D14/221
D848,402 S * 5/2019 Kurihara D14/224
D851,711 S * 6/2019 Brezovar D21/680
D875,717 S * 2/2020 Horiuchi D14/216

(**) Term: **15 Years**

(21) Appl. No.: **29/630,643**

(22) Filed: **Dec. 21, 2017**

(51) **LOC (12) Cl.** **14-01**

(52) **U.S. Cl.**
USPC **D14/224**

(58) **Field of Classification Search**
USPC D14/224-229; D16/244; D17/99;
D6/681; 248/125.1, 166, 185.1;
381/355, 359, 361-363, 365, 366, 369,
381/375; 379/428.01, 428.04, 431,
379/433.03
CPC . H04R 25/00; H04R 1/02; H04R 5/02; H04R
9/08; F16M 11/38; F16M 13/00; F16M
11/00

See application file for complete search history.

(56) **References Cited**

U.S. PATENT DOCUMENTS

D197,716 S * 3/1964 Boldt et al. D14/216
D261,057 S * 9/1981 Wotowiec D26/79
4,365,114 A 12/1982 Soma
D510,084 S * 9/2005 Hasbrook D14/221
D522,497 S * 6/2006 Morisawa D14/221
D550,209 S * 9/2007 Mizokawa D14/216
D559,835 S 1/2008 Marshall
D577,858 S * 9/2008 Chetcuti D26/142
D593,073 S * 5/2009 Kurihara D14/216
D600,676 S * 9/2009 Maurer D14/209
D607,439 S * 1/2010 Jokinen D14/216
D635,553 S * 4/2011 Yagihashi D14/216

FOREIGN PATENT DOCUMENTS

JP 1990113488 9/1990
JP 1994269076 9/1994
JP 1999341574 12/1999

(Continued)

OTHER PUBLICATIONS

Wet Sounds, "Owner's Manual," Wet Sounds Inc., Mar. 20, 2012, 2 pages.

Primary Examiner — Katie Jane Stofko
(74) *Attorney, Agent, or Firm* — Knobbe, Martens, Olson & Bear, LLP

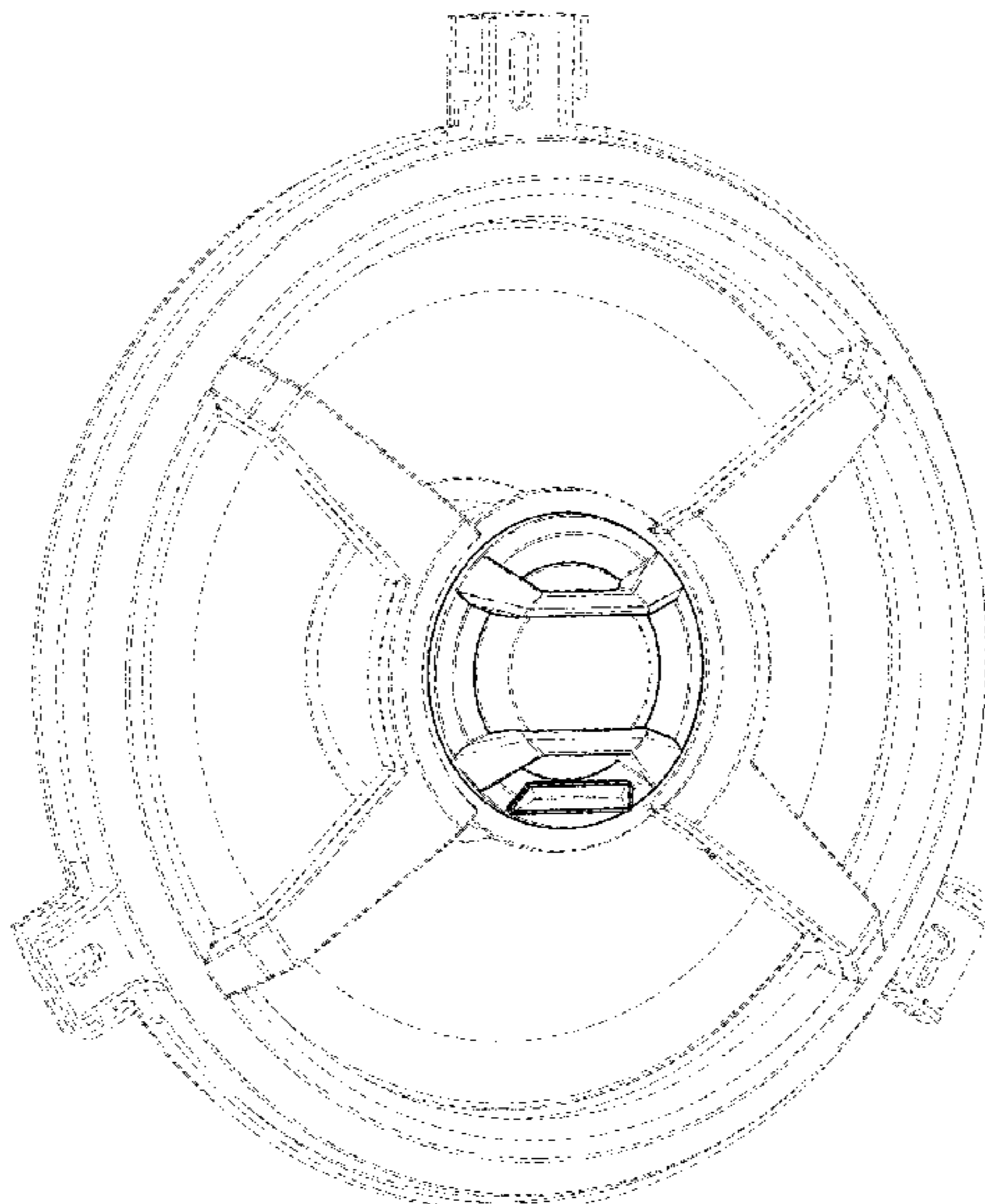
(57) **CLAIM**

The ornamental design for speaker component retainer, as shown and described.

DESCRIPTION

FIG. 1 is a perspective view of a speaker component retainer;
FIG. 2 is a top plan view thereof;
FIG. 3 is a bottom plan view thereof;
FIG. 4 is a right side elevation view thereof; and,
FIG. 5 is a front elevation view thereof.
Broken lines are used to illustrate portions of the speaker component retainer that form no part of the claimed design.

1 Claim, 5 Drawing Sheets



(56)

References Cited

U.S. PATENT DOCUMENTS

2005/0224281 A1* 10/2005 Gordon G10K 11/004
181/153

FOREIGN PATENT DOCUMENTS

JP 3657814 6/2005
JP 2008131269 6/2008

* cited by examiner

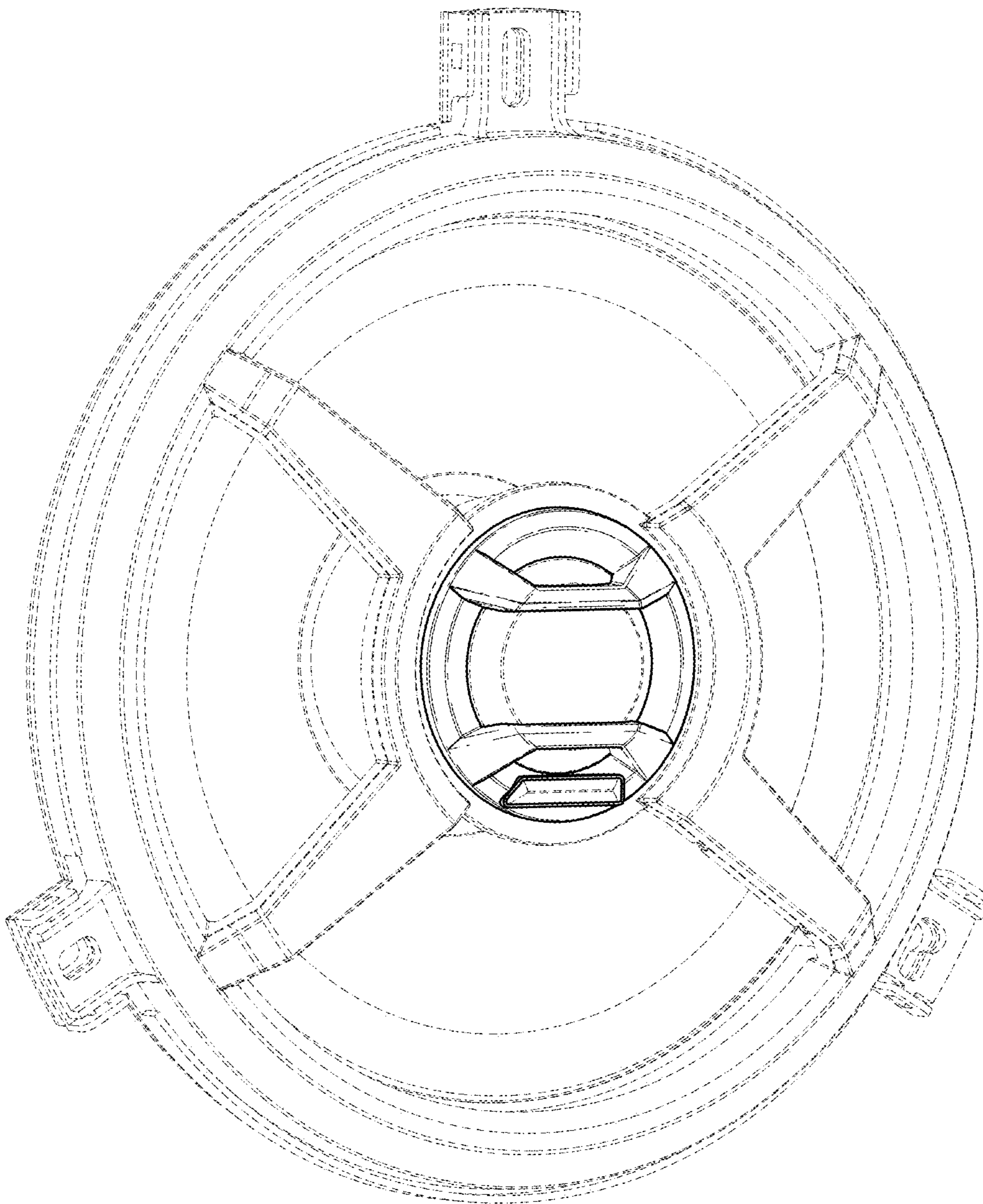


FIG. 1

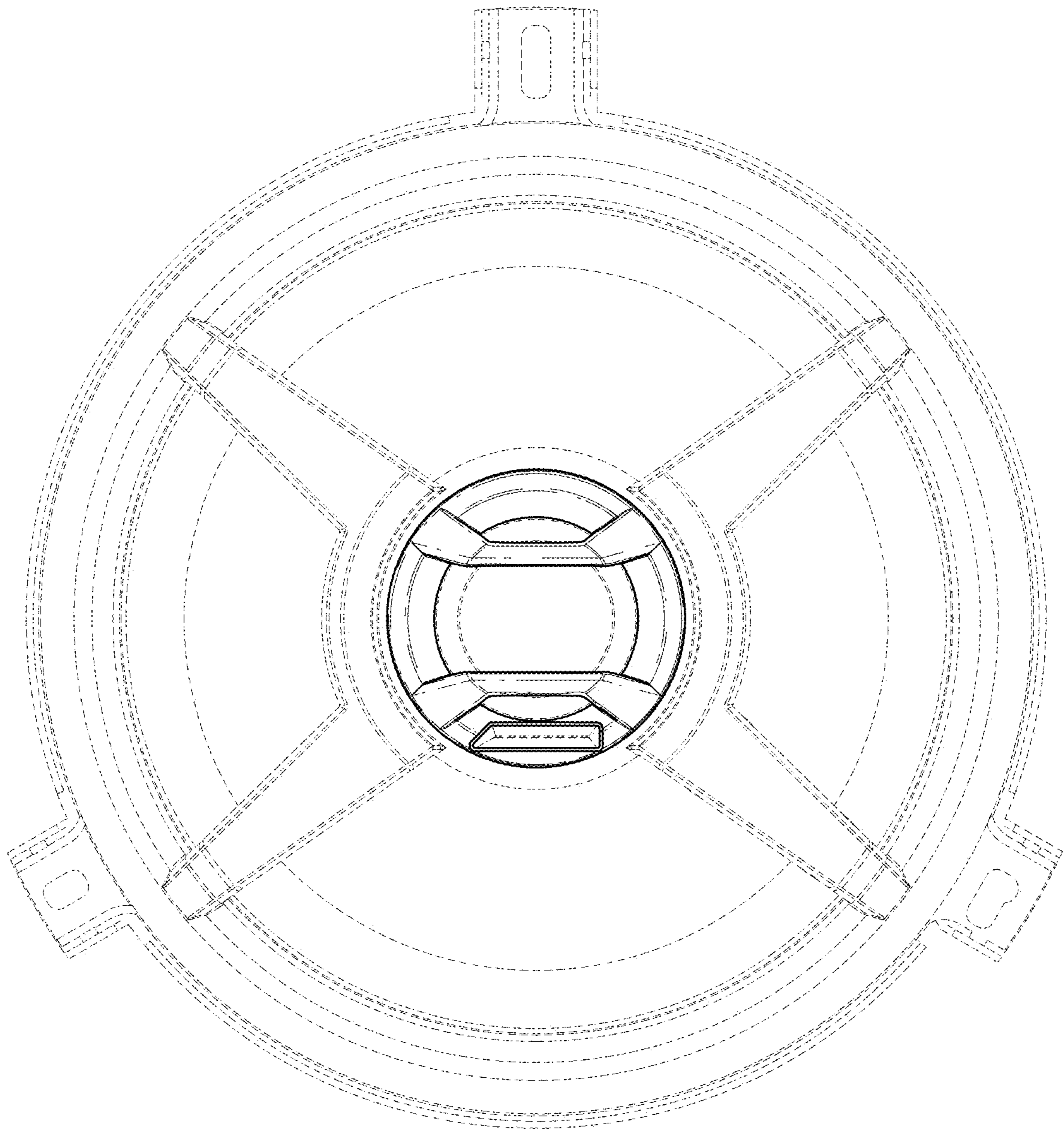


FIG. 2

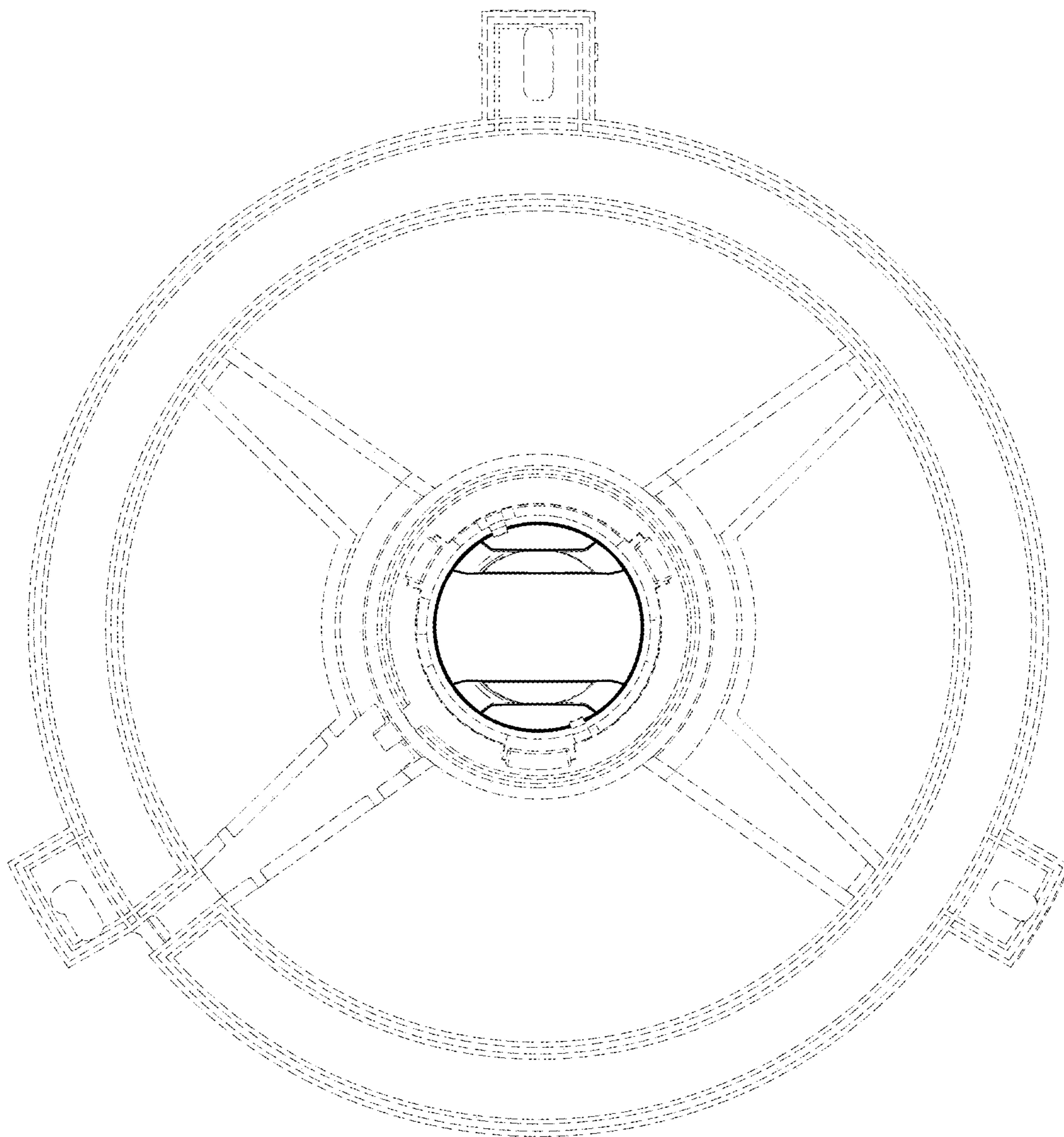


FIG. 3

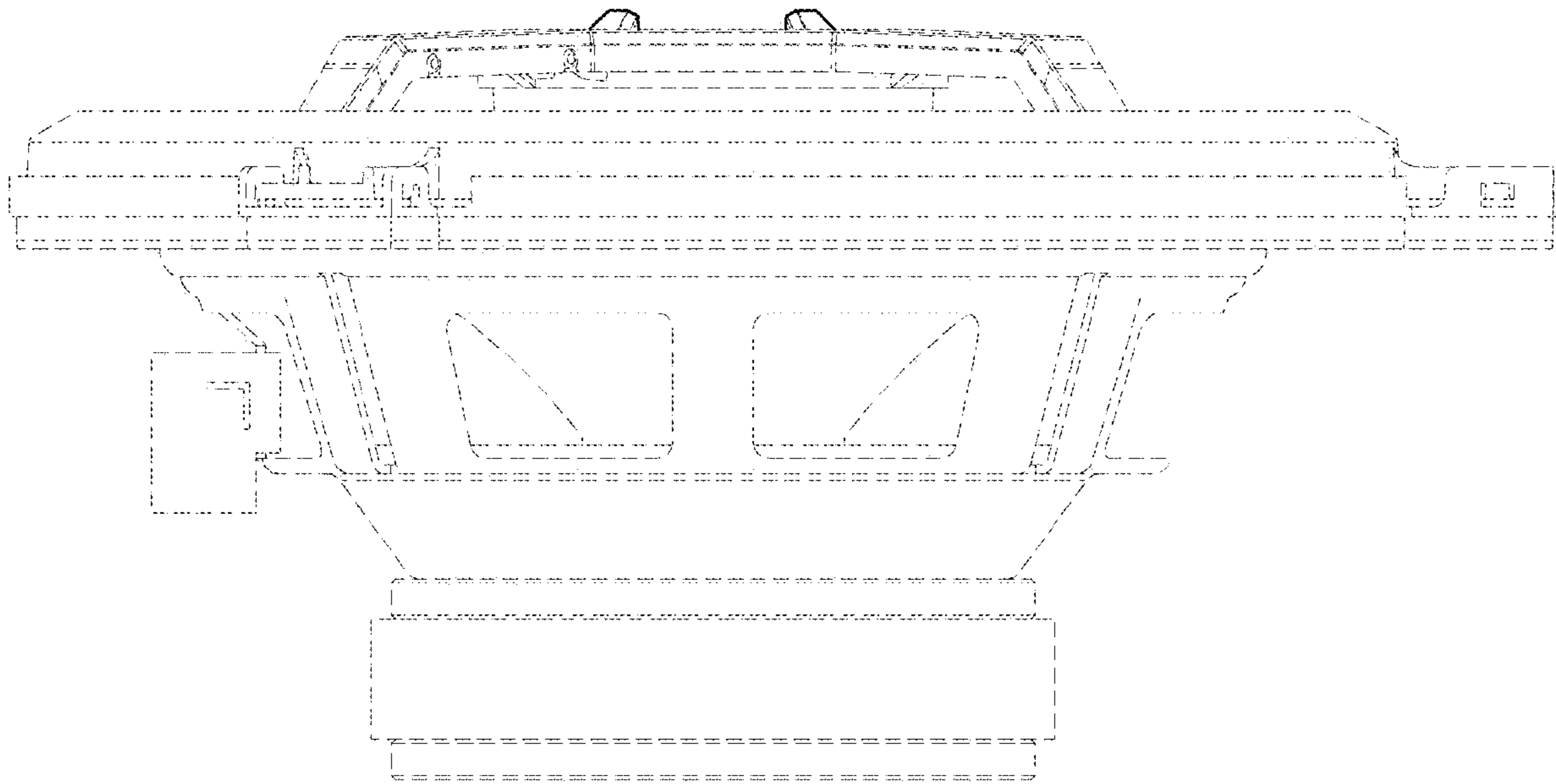


FIG. 4

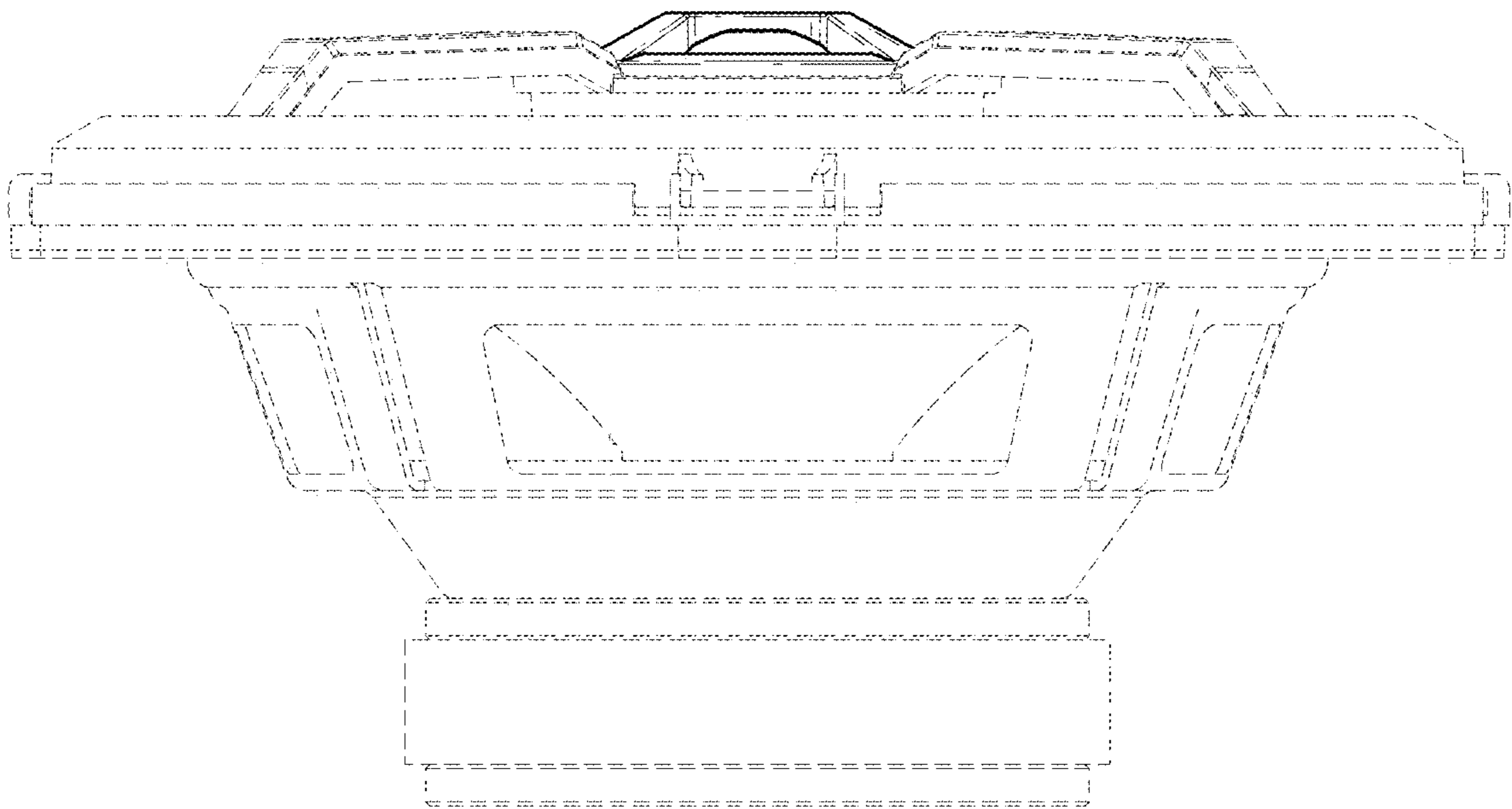


FIG. 5