



US00D904347S

(12) **United States Design Patent** (10) **Patent No.:** **US D904,347 S**  
**Yamamoto et al.** (45) **Date of Patent:** **\*\* Dec. 8, 2020**

(54) **EARPHONE**

(71) Applicant: **Audio-Technica Corporation**, Tokyo (JP)

(72) Inventors: **Masayuki Yamamoto**, Fukui (JP);  
**Toru Fusejima**, Tokyo (JP)

(73) Assignee: **Audio-Technica Corporation**, Tokyo (JP)

(\*\*) Term: **15 Years**

(21) Appl. No.: **29/684,714**

(22) Filed: **Mar. 22, 2019**

(30) **Foreign Application Priority Data**

Sep. 27, 2018 (JP) ..... 2018-021060

(51) **LOC (12) Cl.** ..... **14-01**

(52) **U.S. Cl.**  
USPC ..... **D14/223**

(58) **Field of Classification Search**  
USPC ..... D14/223, 205; 381/380, 381, 370, 322,  
381/328; 455/90.3, 575.1, 569.1  
CPC ..... H04R 1/10; H04R 25/00; H04R 1/1066;  
H04R 5/033; H04R 5/0335; H04R 1/1091  
See application file for complete search history.

(56) **References Cited**

**U.S. PATENT DOCUMENTS**

- 6,438,248 B1 \* 8/2002 Kamimura ..... H04M 1/05  
381/374
- D542,782 S \* 5/2007 Pena Angarita ..... D14/223
- D554,627 S \* 11/2007 Gondo ..... D14/223
- D555,152 S \* 11/2007 Wang ..... D14/223
- D567,217 S \* 4/2008 Kamo ..... D14/205
- D569,841 S \* 5/2008 Chung ..... D14/205
- D572,703 S \* 7/2008 Ledbetter ..... D14/205
- D576,154 S \* 9/2008 Ledbetter ..... D14/223

- D587,681 S \* 3/2009 Yanai ..... D14/205
- D587,685 S \* 3/2009 Densho ..... D14/206
- D589,493 S \* 3/2009 Densho ..... D14/206
- D594,441 S \* 6/2009 Lee ..... D14/205
- D598,894 S \* 8/2009 Masuda ..... D14/205
- D599,778 S \* 9/2009 Ando ..... D14/205
- D602,475 S \* 10/2009 Martin ..... D14/223
- D618,211 S \* 6/2010 Oguro ..... D14/205
- D627,764 S \* 11/2010 Tsai ..... D14/223
- D628,193 S \* 11/2010 Zheng ..... D14/223
- D628,564 S \* 12/2010 Chong ..... D14/223
- D629,395 S \* 12/2010 Lee ..... D14/223
- D637,181 S \* 5/2011 Fuller ..... D14/223
- D643,416 S \* 8/2011 Chong ..... D14/223
- D653,236 S \* 1/2012 Andre ..... D14/205
- D660,290 S \* 5/2012 Weedon ..... D14/223
- 8,280,093 B2 \* 10/2012 Siahaan ..... B29C 43/021  
381/380
- D674,377 S \* 1/2013 Schaefer ..... D14/223
- D676,427 S \* 2/2013 Yang ..... D14/223

(Continued)

**FOREIGN PATENT DOCUMENTS**

EM 007954698-0001 \* 5/2020

*Primary Examiner* — Paula Allen Greene  
(74) *Attorney, Agent, or Firm* — W&C IP

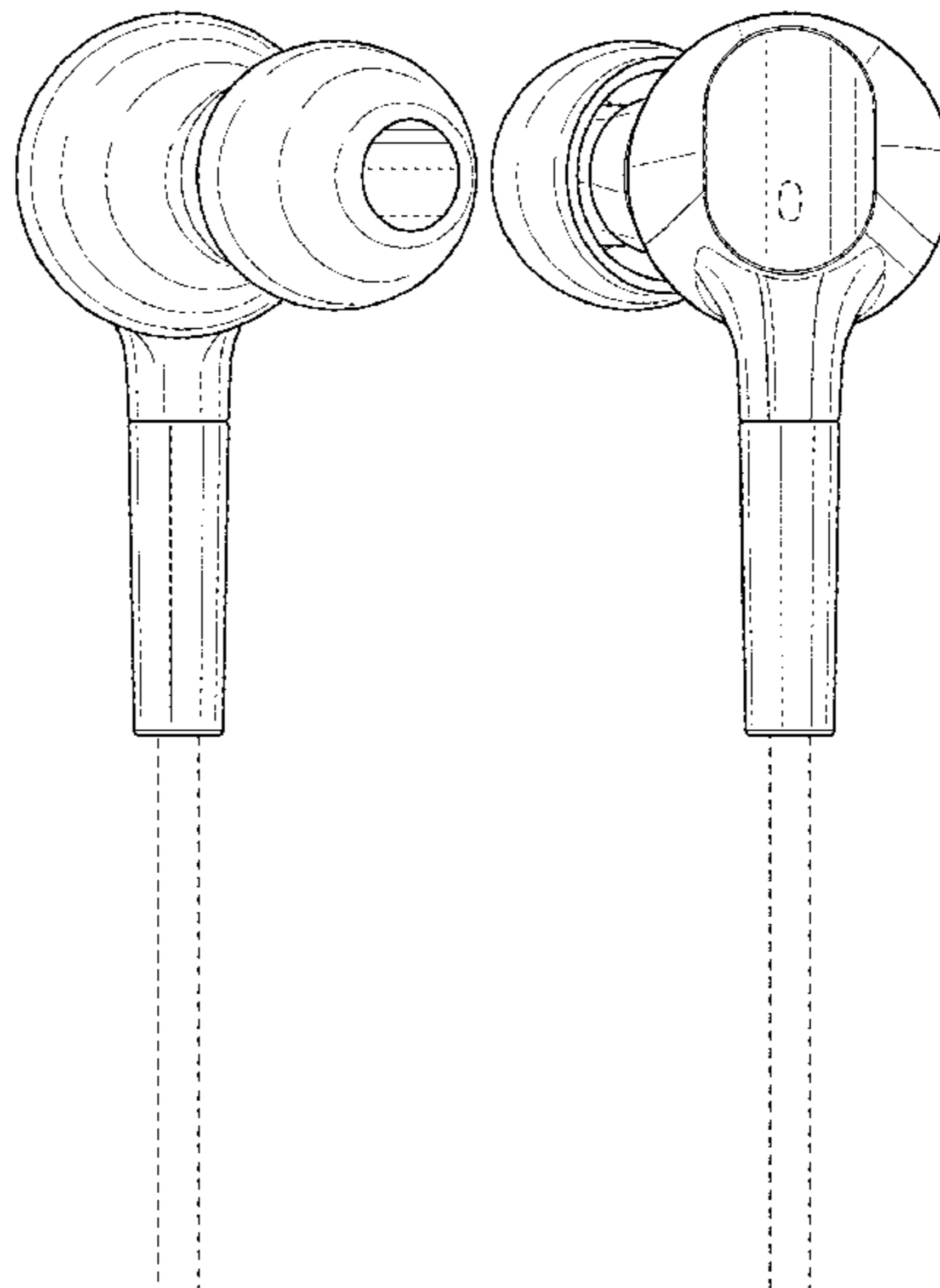
(57) **CLAIM**

The ornamental design for an earphone, as shown and described.

**DESCRIPTION**

FIG. 1 is a front view of an earphone;  
FIG. 2 is a rear view thereof;  
FIG. 3 is a top plan view thereof;  
FIG. 4 is a bottom plan view thereof;  
FIG. 5 is a left side view thereof; and,  
FIG. 6 is a right side view, showing our design.  
The broken lines are for illustrative purposes only; the broken lines form no part of the claimed design.

**1 Claim, 5 Drawing Sheets**



(56)

**References Cited**

U.S. PATENT DOCUMENTS

D680,102	S *	4/2013	Chen	.....	D14/223
D685,767	S *	7/2013	Kelly	.....	D14/223
D710,334	S *	8/2014	Yang	.....	D14/223
D718,286	S *	11/2014	Yang	.....	D14/223
D784,298	S *	4/2017	Ozawa	.....	D14/223
D784,962	S *	4/2017	Yang	.....	D14/223
D786,221	S *	5/2017	Stoch	.....	D14/223
D802,562	S *	11/2017	Baba	.....	D14/223
D806,658	S *	1/2018	Chui	.....	D13/168
D831,619	S *	10/2018	Matoba	.....	D14/223
10,123,108	B2 *	11/2018	Morris	.....	H04R 1/1058
D878,336	S *	3/2020	Shiwaku	.....	D14/223
2014/0205125	A1 *	7/2014	Triato	.....	H04R 1/1066
					381/330
2015/0382099	A1 *	12/2015	Chu	.....	H04R 1/2811
					381/370
2016/0205458	A1 *	7/2016	Huang	.....	H04R 1/1016
					381/380

\* cited by examiner

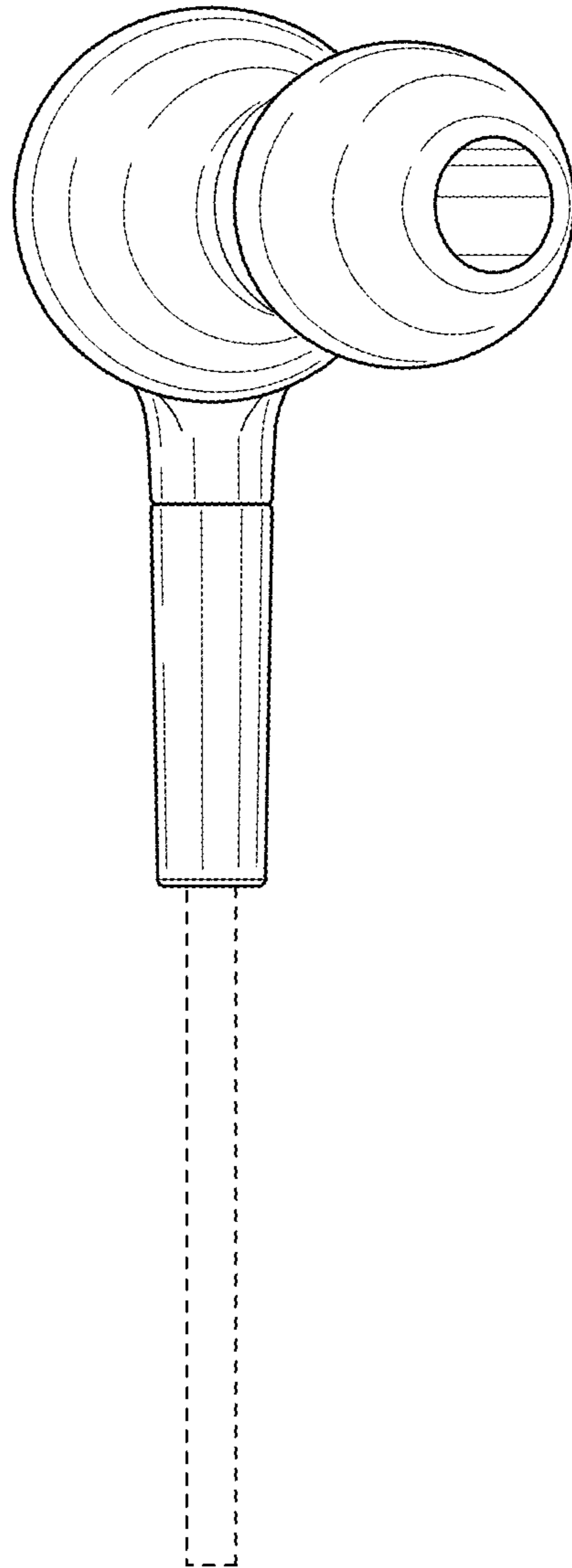


FIG. 1

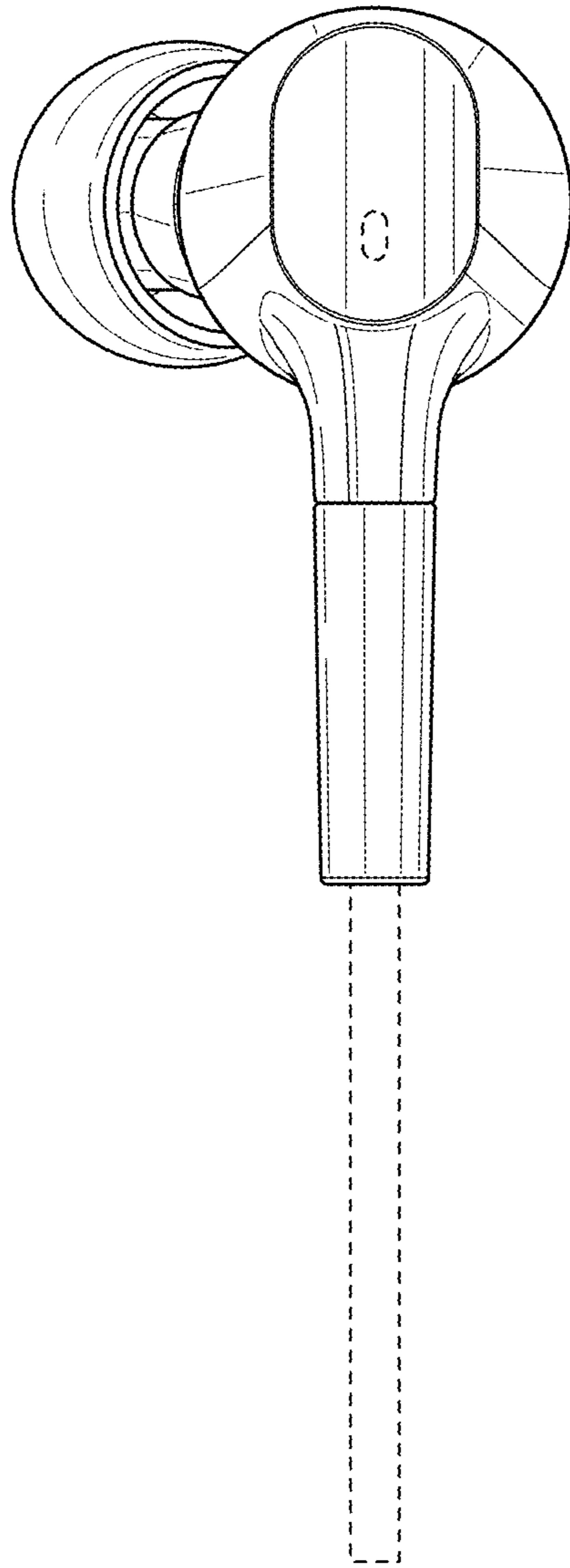


FIG. 2

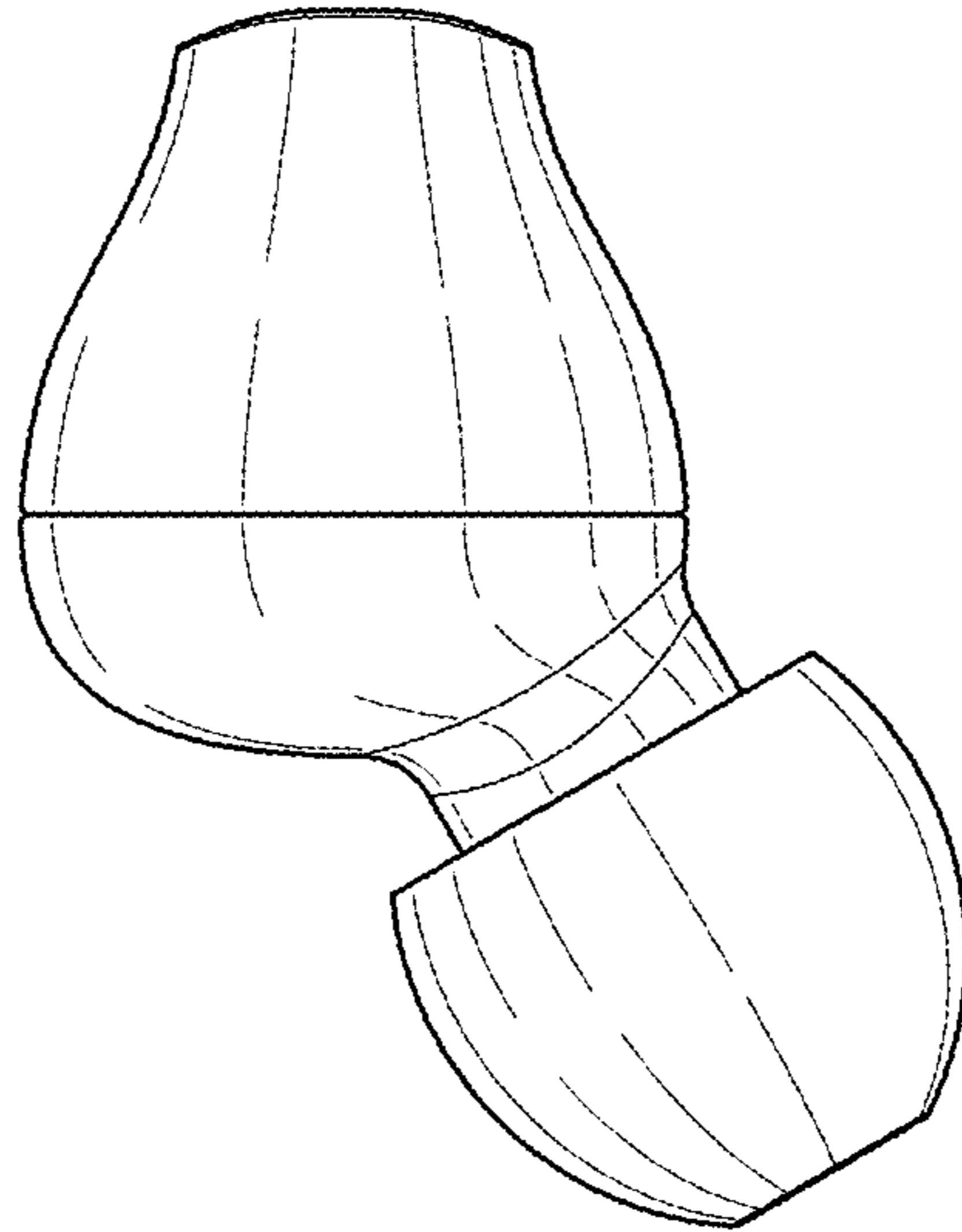


FIG. 3

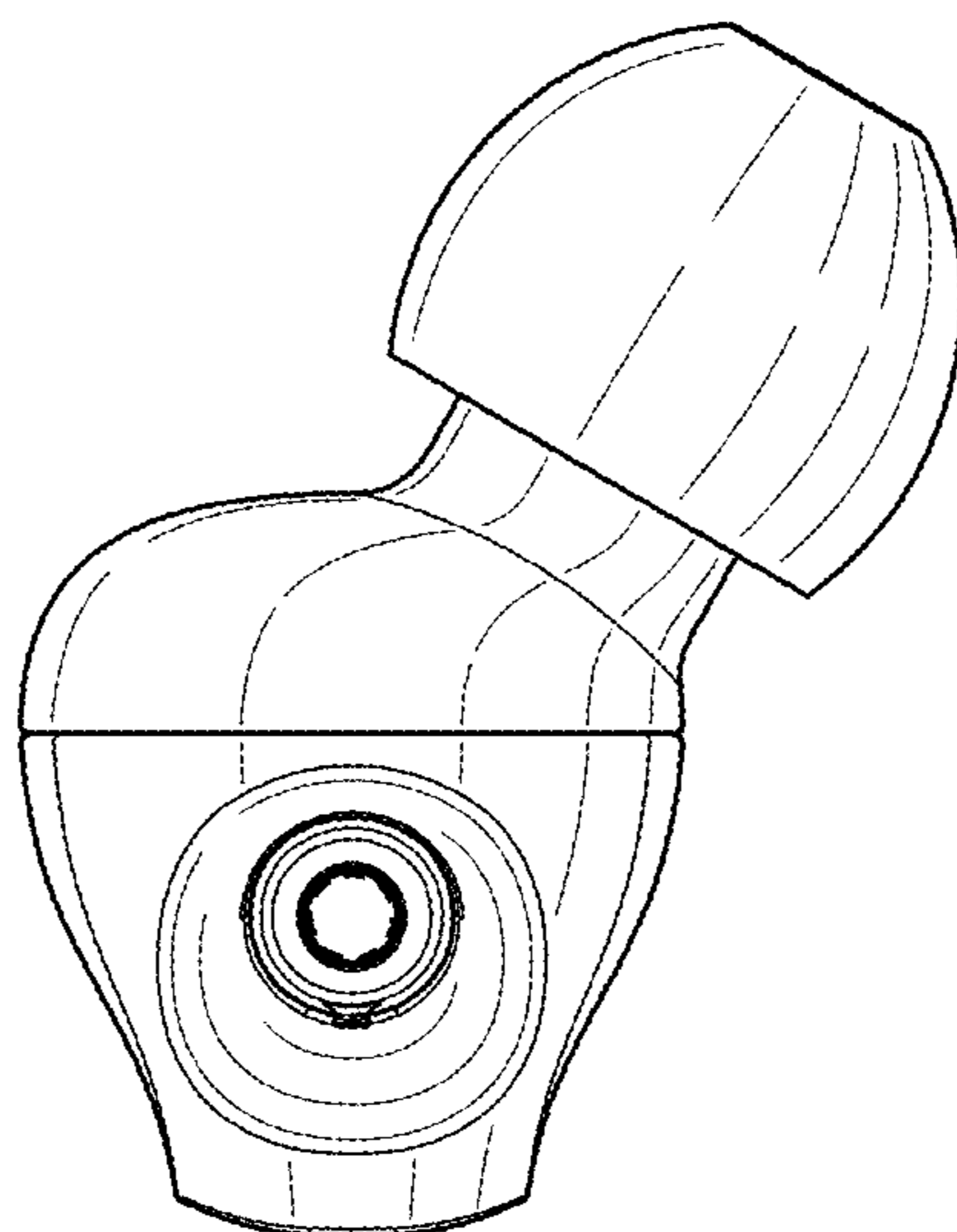


FIG. 4

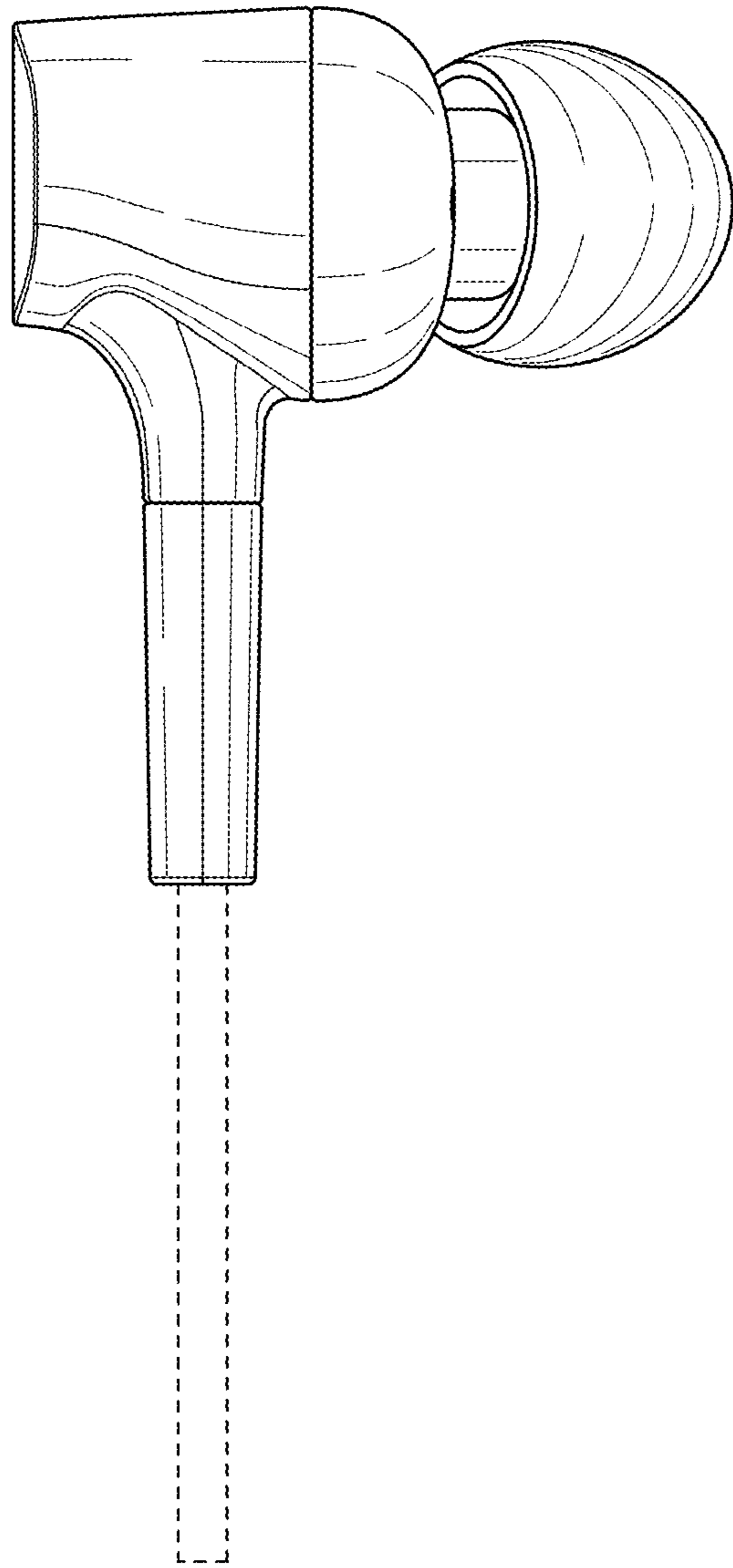


FIG. 5

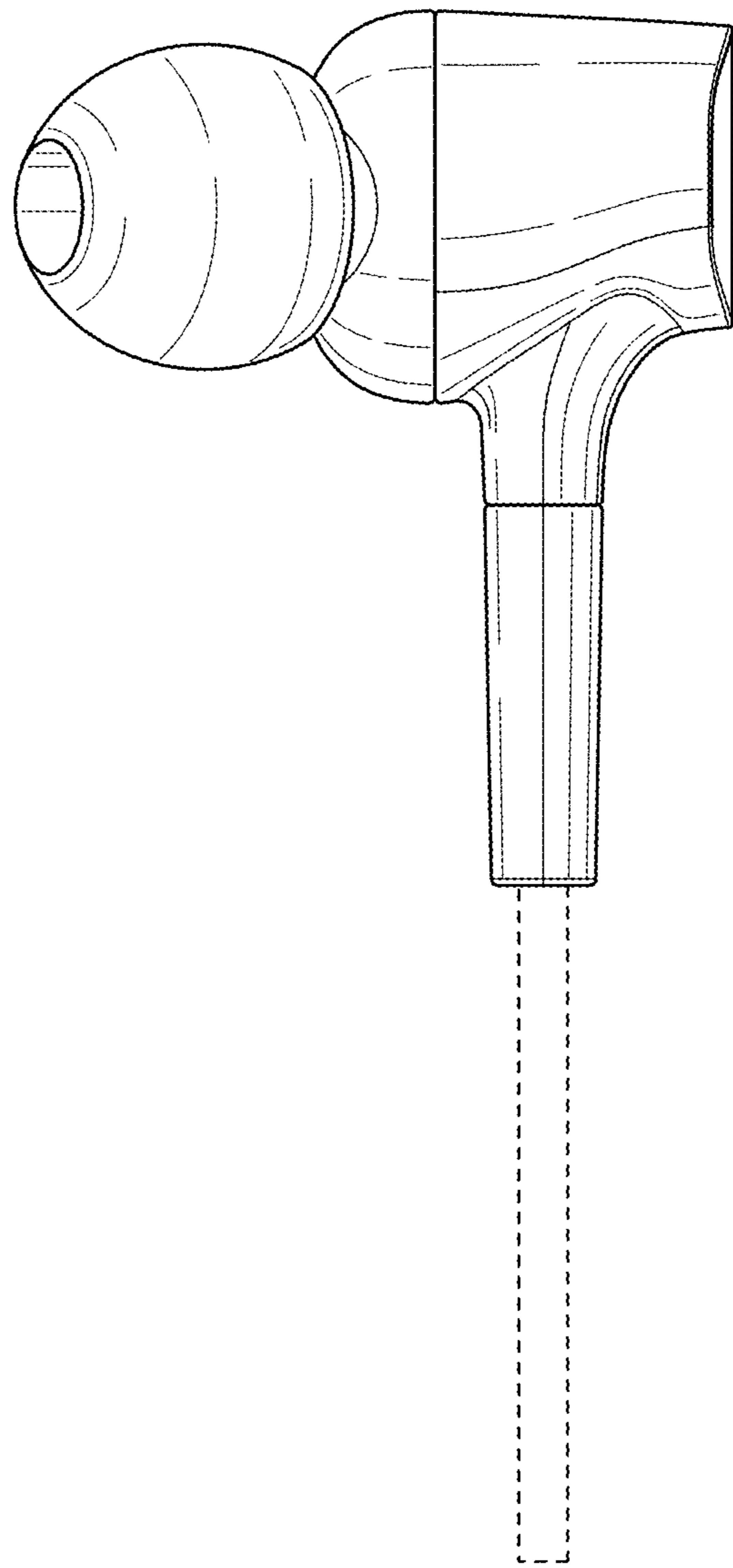


FIG. 6