



US00D904345S

(12) **United States Design Patent** (10) **Patent No.:** **US D904,345 S**  
**Powell** (45) **Date of Patent:** **\*\* Dec. 8, 2020**

(54) **DEVICE TO CONVERT PORTABLE PLAYER INTO A TOP**

(71) Applicant: **Brian Powell**, Hillsboro, OR (US)

(72) Inventor: **Brian Powell**, Hillsboro, OR (US)

(\*\*) Term: **15 Years**

(21) Appl. No.: **29/649,085**

(22) Filed: **May 25, 2018**

(51) **LOC (12) Cl.** ..... **14-03**

(52) **U.S. Cl.**  
USPC ..... **D14/217**

(58) **Field of Classification Search**

USPC ..... D14/217, 250, 251, 252, 253, 451, 452,  
D14/440, 434, 447, 458, 432, 439, 457,  
D14/460, 238.1, 140, 142, 149, 148  
CPC .. H04M 1/04; H04M 1/6075; H04M 1/72569;  
H04M 1/72577; H04M 17/026; H04M  
1/006; H04M 1/0214; H04M 1/0233;  
H04M 1/0254; H04M 1/0264; H04M  
1/0279; H04M 1/18; H04M 1/6091;  
H04M 1/723; H04M 1/725; H04M  
2207/206; H04M 2250/16; H04M 1/15;  
H04B 1/3888

See application file for complete search history.

(56) **References Cited**

**U.S. PATENT DOCUMENTS**

D714,126 S \* 9/2014 Pyon ..... D8/349  
D769,859 S \* 10/2016 Herbst ..... D14/253  
D794,607 S \* 8/2017 Srouer ..... D14/217  
D827,612 S \* 9/2018 Srouer ..... D14/217  
D847,805 S \* 5/2019 Lederer ..... D14/250  
D877,124 S \* 3/2020 Miller ..... D14/217  
D879,106 S \* 3/2020 Mecchella ..... D14/447

2009/0090750 A1\* 4/2009 Alcenat ..... A45F 5/00  
224/101  
2012/0042476 A1\* 2/2012 Karmatz ..... B25G 1/102  
16/421  
2012/0104185 A1\* 5/2012 Carroll ..... F16M 13/00  
248/27.1

\* cited by examiner

*Primary Examiner* — Khawaja Anwar

(74) *Attorney, Agent, or Firm* — Buche & Associates,  
P.C.; John K. Buche; Bryce A. Johnson

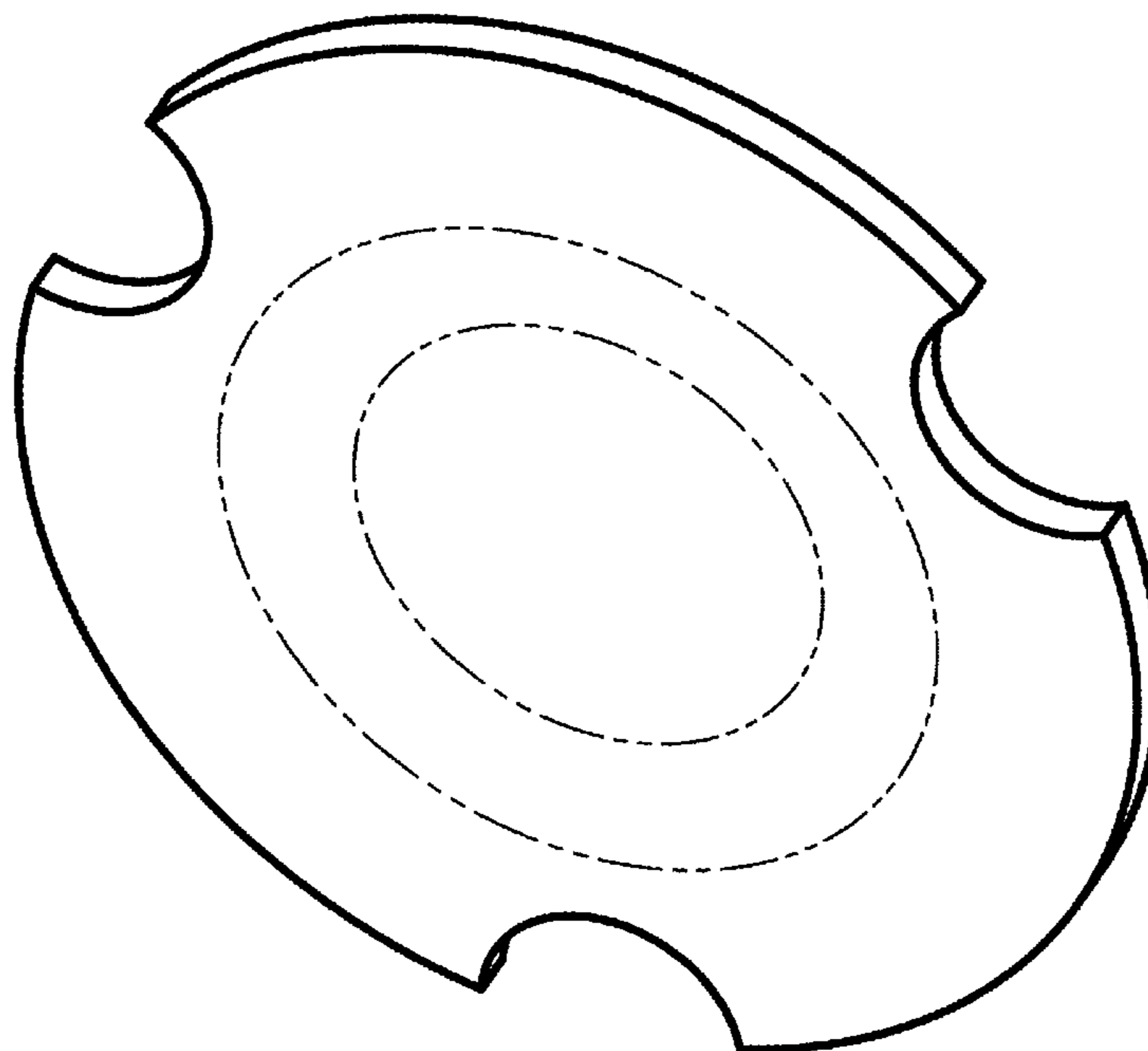
(57) **CLAIM**

I claim the ornamental design for “device to convert portable player into a top”, as shown.

**DESCRIPTION**

FIG. 1 is a perspective view of the “device to convert portable player into a top”;  
FIG. 2 is a side view of the “device to convert portable player into a top”;  
FIG. 3 is a top view of the “device to convert portable player into a top”;  
FIG. 4 is a cross section of the “device to convert portable player into a top”;  
FIG. 5 is an environmental view of the “device to convert portable player into a top” on a portable player from the side; and,  
FIG. 6 is another environmental view of the “device to convert portable player into a top” on a portable player.  
Broken lines of consistent dash lengths illustrate environmental features and form no part of the claimed design. Non-consistent length broken lines illustrate design features such as hidden holes or edges of curved surfaces.

**1 Claim, 2 Drawing Sheets**



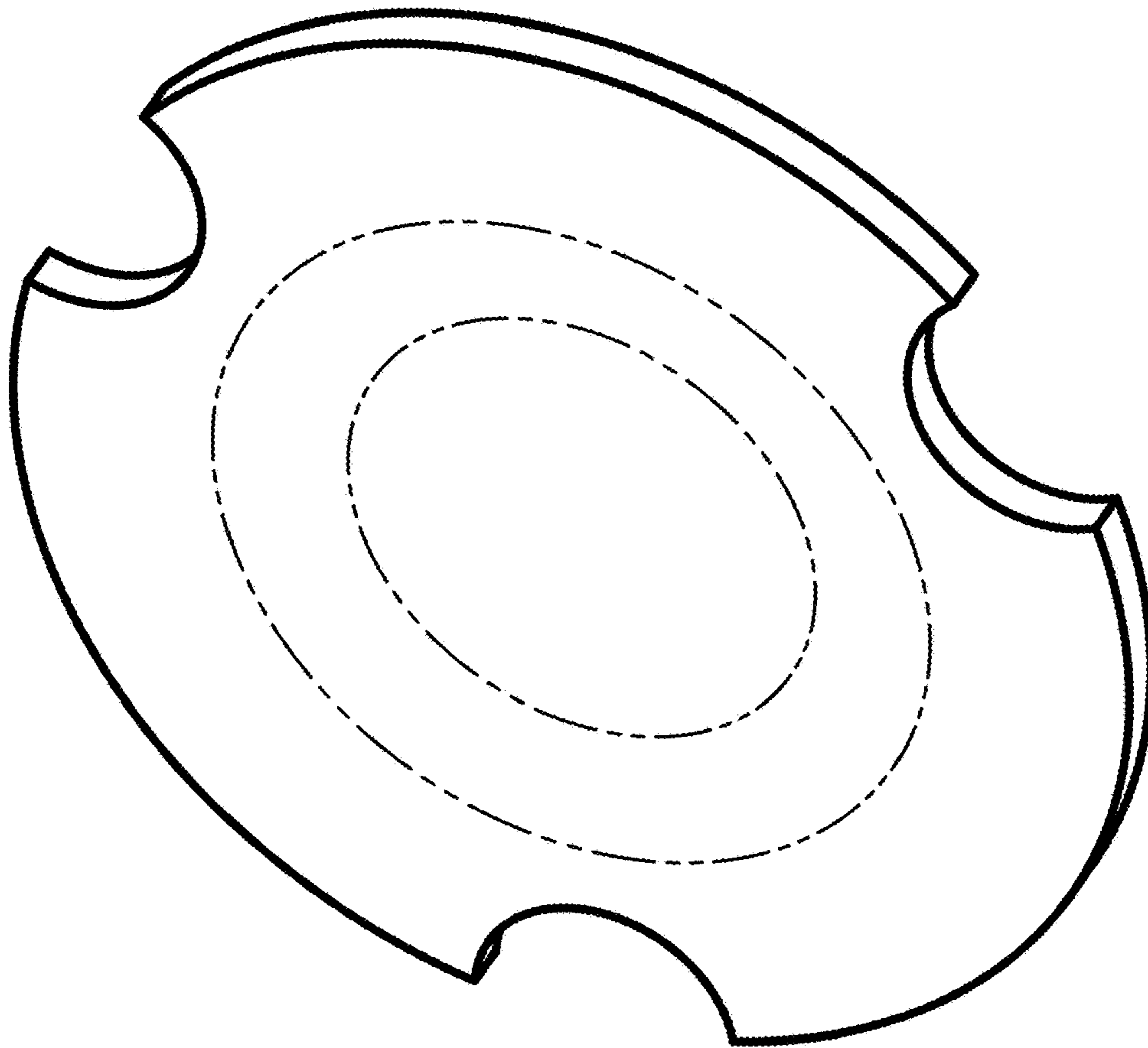


FIG. 1

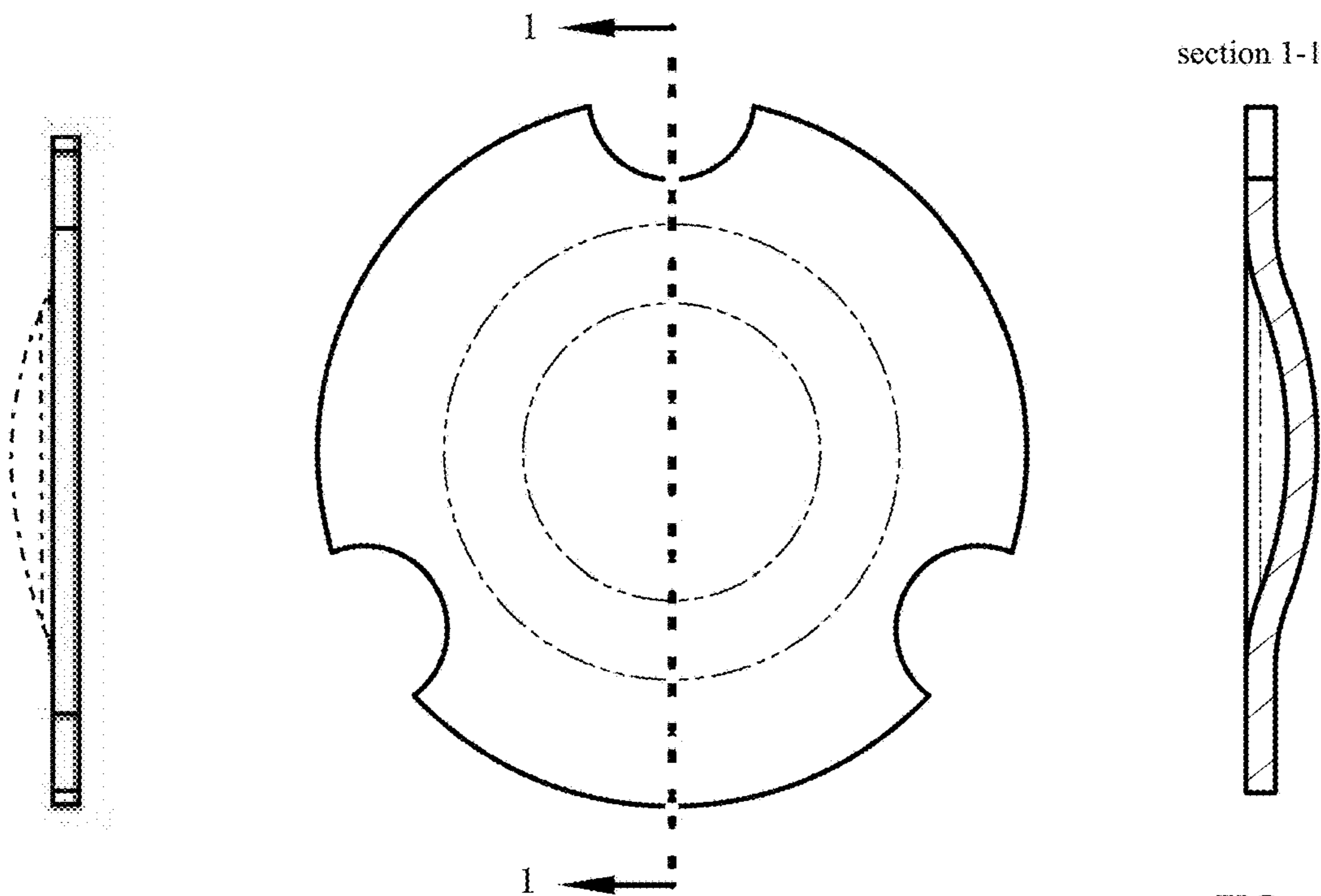


FIG. 2

FIG. 3

FIG. 4

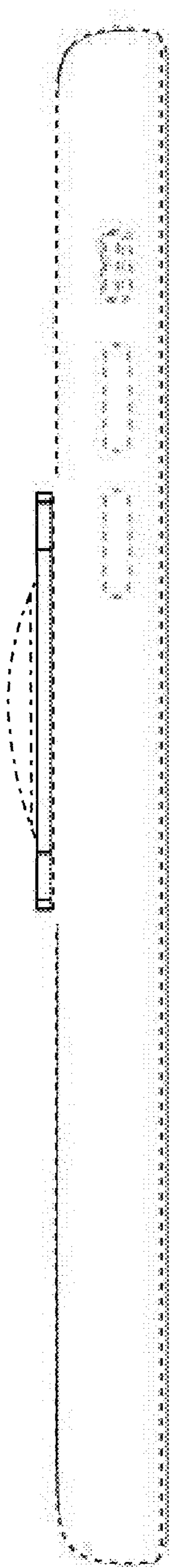


FIG. 5

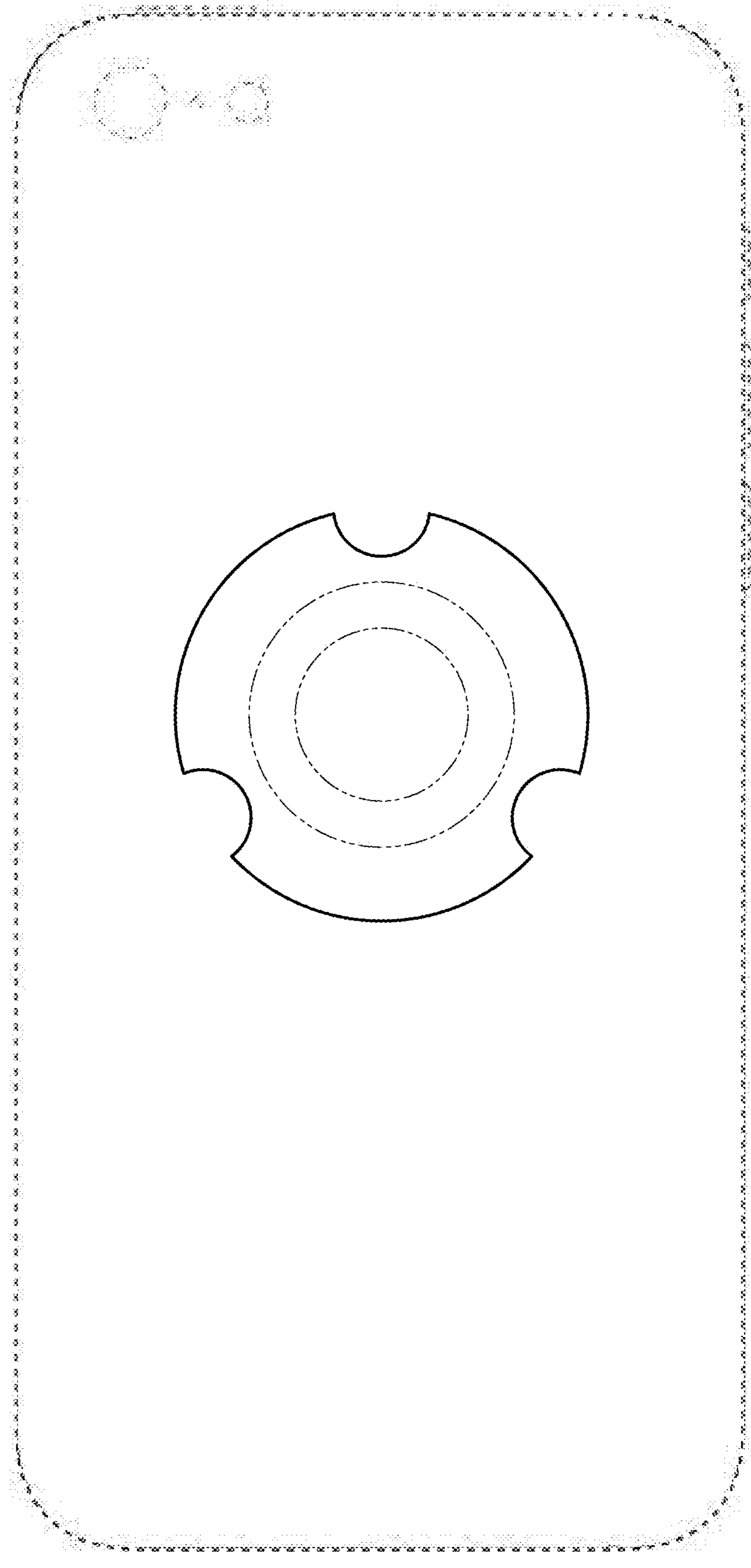


FIG. 6