



US00D904343S

(12) **United States Design Patent** (10) **Patent No.:** **US D904,343 S**
Winton et al. (45) **Date of Patent:** **** Dec. 8, 2020**

(54) **SPEAKER**

(71) Applicant: **Harman International Industries, Incorporated**, Stamford, CT (US)

(72) Inventors: **Riley Winton**, Canton, MI (US); **David Mossington**, Novi, MI (US); **Chris Ludwig**, Birmingham, MI (US); **Christopher Michael Trestain**, Livonia, MI (US)

(73) Assignee: **Harman International Industries, Incorporated**, Stamford, CT (US)

(**) Term: **15 Years**

(21) Appl. No.: **29/631,546**

(22) Filed: **Dec. 29, 2017**

(51) **LOC (12) Cl.** **14-01**

(52) **U.S. Cl.**

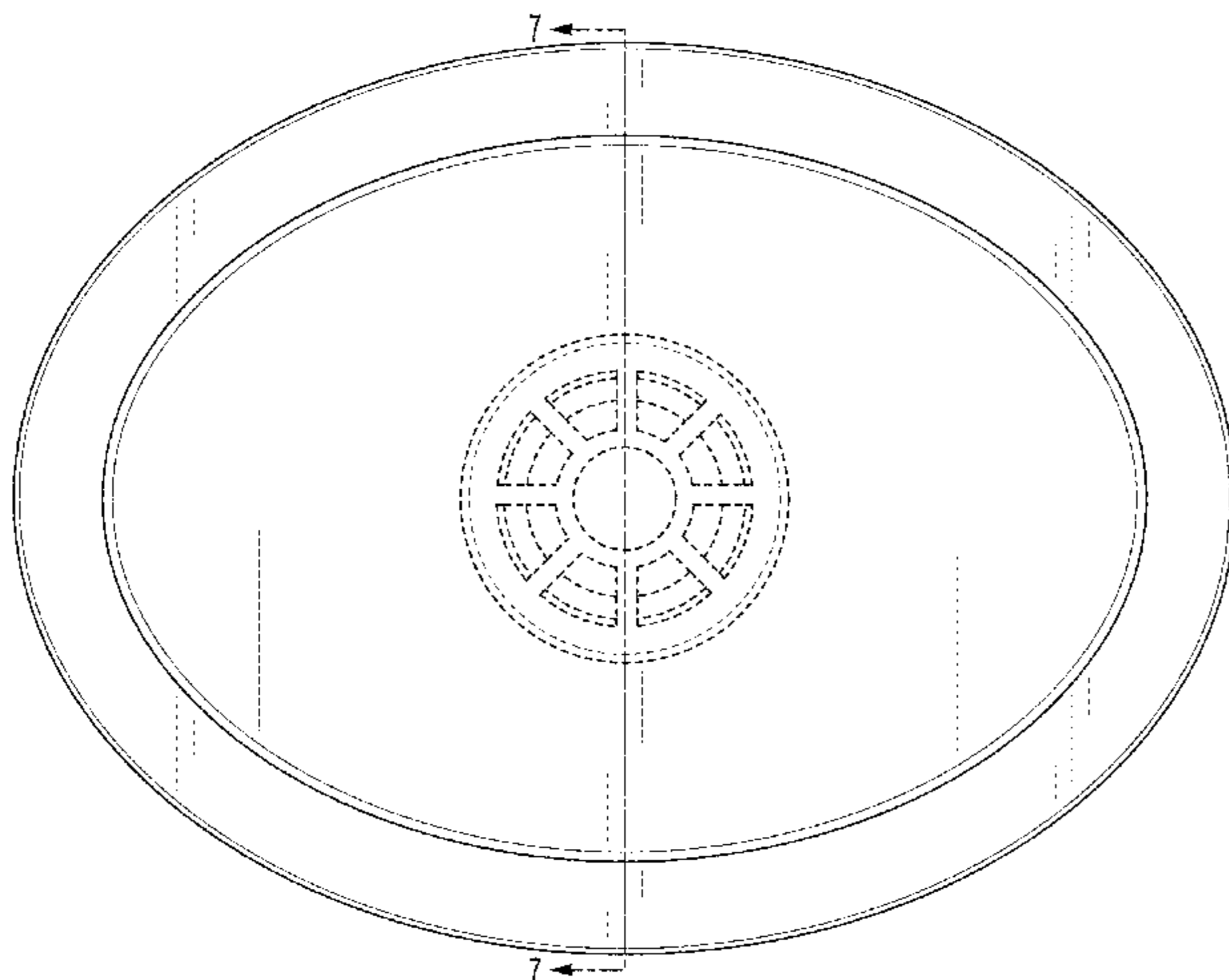
USPC **D14/216**; D14/222; D14/221

(58) **Field of Classification Search**

USPC D14/203.1, 204–206, 208–210, 212, 213, D14/214–217, 219, 221, 222, 223–225, D14/249, 372, 433, 138 R, 182, 188, D14/191–194, 172, 496; D29/112; D12/195, 192, 204; D2/875; D24/173–175, 106; D3/294, 273; D13/108

CPC H04R 25/02; H04R 25/00; H04R 1/10; H04R 1/1016; H04R 1/105; H04R 1/1083; H04R 1/02; H04R 1/1041; H04R 5/033; H04R 7/00; H04R 2420/07; H04R 2430/01; H04R 25/65; H04R 25/656; H04R 25/658; H04R 27/00; H04R 2205/021; H04R 1/28; H04R 1/05; H04R 5/0335; A61F 11/00;

(Continued)



(56) **References Cited**

U.S. PATENT DOCUMENTS

D72,262 S * 3/1927 Hopkins D14/215
D130,357 S * 11/1941 O'Connor et al. D14/216
D192,290 S * 2/1962 Johnson et al. D14/216

(Continued)

FOREIGN PATENT DOCUMENTS

CN 303041889 * 12/2014
EM 002593269-0002 * 12/2014

(Continued)

Primary Examiner — Dana K Weiland

Assistant Examiner — Mary Claire Ramirez

(74) *Attorney, Agent, or Firm* — Plumsea Law Group, LLC

(57) **CLAIM**

The ornamental design for a speaker, as shown and described.

DESCRIPTION

FIG. 1 is a front perspective view of a speaker showing the new design, with the speaker arranged in a first position; FIG. 2 is a front view of the speaker with the speaker arranged in the first position; FIG. 3 is a side view of the speaker; FIG. 4 is a top view of the speaker; FIG. 5 is a back view of the speaker; FIG. 6 is a back perspective view of the speaker; FIG. 7 is a cross-sectional view of the speaker arranged in the first position, taken in the direction of line 7-7 in FIG. 2; FIG. 8 is a cross-sectional view of the speaker arranged in a second position, taken in the direction of line 8-8 in FIG. 10;

FIG. 9 is a front perspective view of the speaker with the speaker arranged in the second position; and,

(Continued)

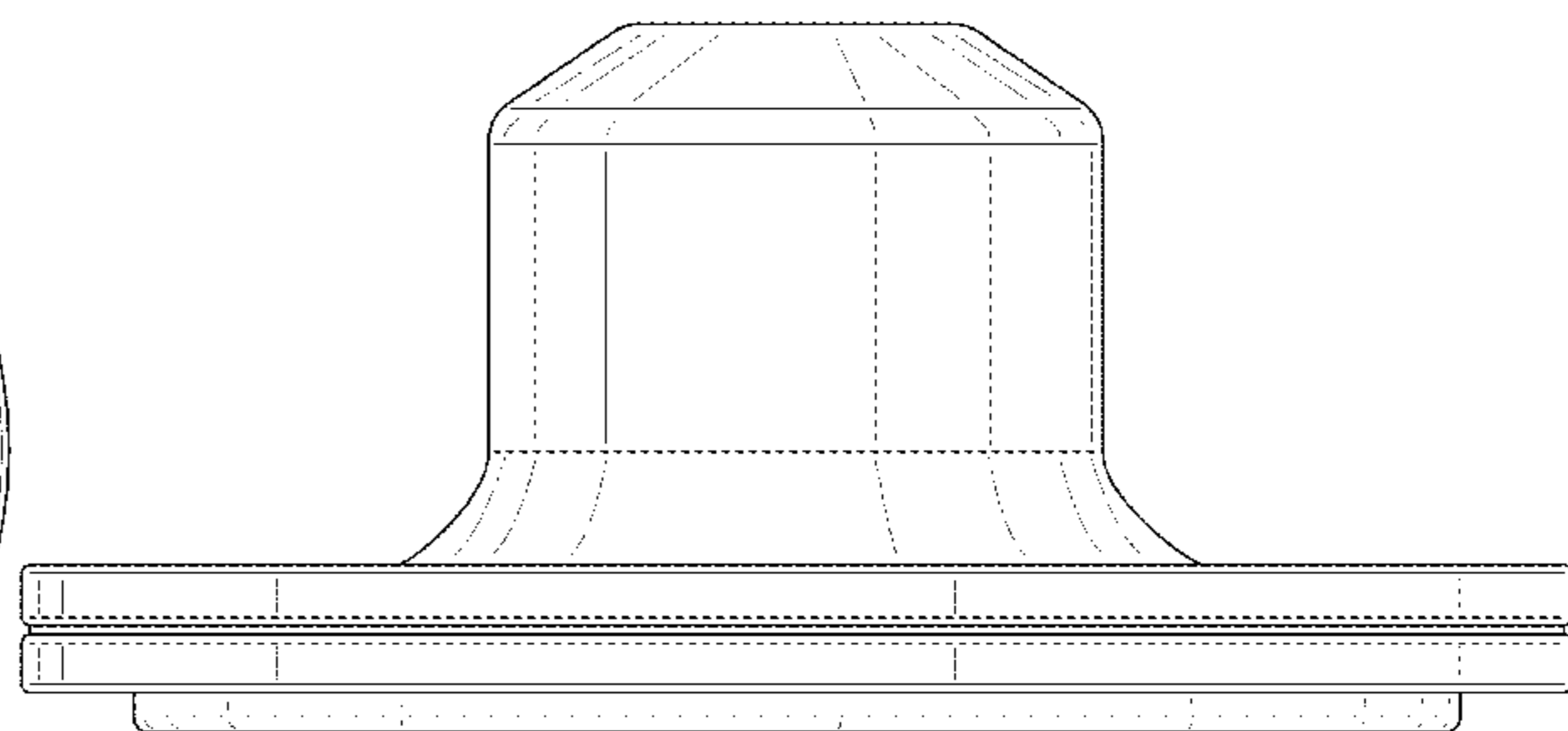


FIG. 10 is a front view of the speaker with the speaker arranged in the second position.

The broken lines in the drawings depict portions of the speaker that form no part of the claimed design.

1 Claim, 9 Drawing Sheets

(58) Field of Classification Search

CPC A61F 11/06; A61F 11/08; A61F 11/12;
A61F 11/14

See application file for complete search history.

(56) References Cited

U.S. PATENT DOCUMENTS

D197,716	S	*	3/1964	Boldt et al.	D14/216
D225,069	S	*	11/1972	May	D14/216
D229,189	S	*	11/1973	Lover	D14/214
D239,538	S	*	4/1976	Wagner	D14/216
D250,586	S	*	12/1978	Nussdorfer	D14/216
D254,434	S	*	3/1980	Iijima	181/157
D261,645	S	*	11/1981	Babb	D14/212
D265,086	S	*	6/1982	Kawachi	D14/216
D265,556	S	*	7/1982	Iijima	D14/216
D278,432	S	*	4/1985	Buck	D14/219
D281,157	S	*	10/1985	Takagi	D14/215
4,672,675	A	*	6/1987	Powell	H04R 9/063 381/182
D400,884	S	*	11/1998	Christie, II	D14/216
D430,141	S	*	8/2000	Liu	D14/215
D432,118	S	*	10/2000	Honnert	D14/216
D502,939	S	*	3/2005	Dayan	D14/216
D504,416	S	*	4/2005	Dayan	D14/216
D507,260	S	*	7/2005	Dayan	D14/216
D512,413	S	*	12/2005	Brimhall	D14/215
D522,498	S	*	6/2006	Tanaka	D14/221
D523,848	S	*	6/2006	Shing	D14/221
D526,312	S	*	8/2006	Kuribayashi	D14/221
D529,898	S	*	10/2006	Kuribayashi	D14/215
D531,987	S	*	11/2006	Dayan	D14/215
D535,289	S	*	1/2007	Okamoto	D14/216
D547,751	S	*	7/2007	Shiono	D14/216

D549,693	S	*	8/2007	Mizokawa	D14/216
D550,206	S	*	9/2007	Mizokawa	D14/216
D550,207	S	*	9/2007	Mizokawa	D14/216
D550,209	S	*	9/2007	Mizokawa	D14/216
D550,651	S	*	9/2007	Mizokawa	D14/216
D554,620	S	*	11/2007	Shiono	D14/216
D559,835	S	*	1/2008	Marshall	D14/216
D591,729	S	*	5/2009	Natori	D14/216
D608,344	S	*	1/2010	Oishi	D14/216
D617,315	S	*	6/2010	Pantaleone	D14/216
D623,169	S	*	9/2010	Chen	D14/215
D628,559	S	*	12/2010	Vercelli	D14/215
D638,824	S	*	5/2011	Hotta	D14/215
D649,529	S	*	11/2011	Chen	D14/216
D652,408	S	*	1/2012	Chen	D14/216
D657,350	S	*	4/2012	Chen	D14/216
D657,351	S	*	4/2012	Chen	D14/216
D659,681	S	*	5/2012	Suzuki	D14/221
8,181,736	B2	*	5/2012	Sterling	H04R 1/2803 181/176
D687,020	S	*	7/2013	Trainer	D14/222
D715,261	S	*	10/2014	Lee	D14/215
D716,261	S	*	10/2014	Park	D14/214
D718,736	S	*	12/2014	Thompson	D14/196
D723,010	S	*	2/2015	Moon	D14/222
D762,194	S	*	7/2016	Komazaki	D14/216
D767,541	S	*	9/2016	Baird	D14/222
D804,453	S	*	12/2017	Katsuno	D14/222
D864,914	S	*	10/2019	Kitamura	D14/216
D864,916	S	*	10/2019	Wakasa	D14/221
D864,917	S	*	10/2019	Wakasa	D14/222
D865,719	S	*	11/2019	Tanabe	D14/221
D867,346	S	*	11/2019	Hofstede	D14/222
D872,052	S	*	1/2020	Kitamura	D14/210
D873,795	S	*	1/2020	Susterman	D14/216
D875,080	S	*	2/2020	Horiuchi	D14/216
D875,081	S	*	2/2020	Horiuchi	D14/216
D875,717	S	*	2/2020	Horiuchi	D14/216
D877,125	S	*	3/2020	Fuller	D14/224

FOREIGN PATENT DOCUMENTS

JP	D1540685	*	12/2015
JP	D1541115	*	1/2016

* cited by examiner

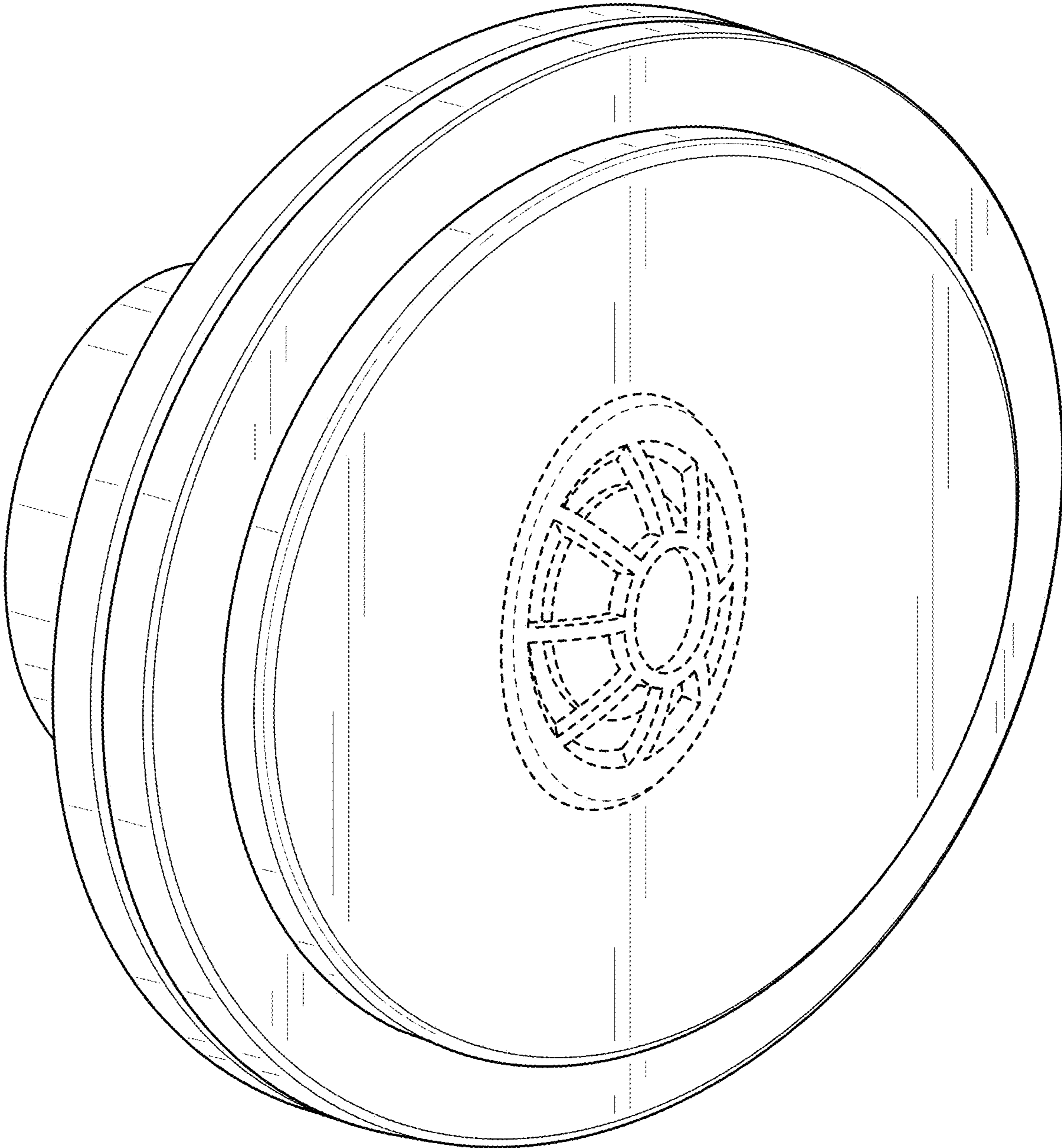


FIG. 1

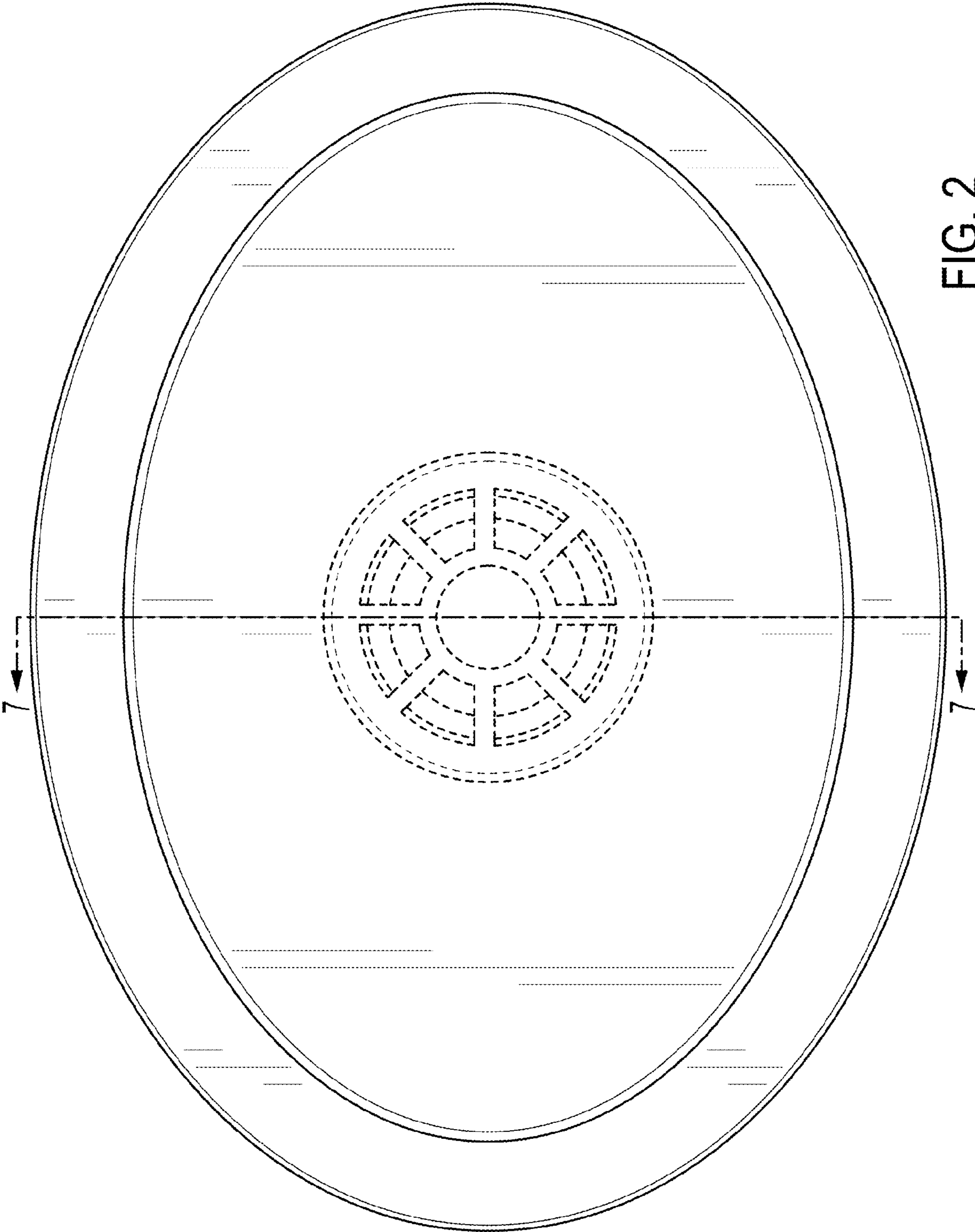


FIG. 2

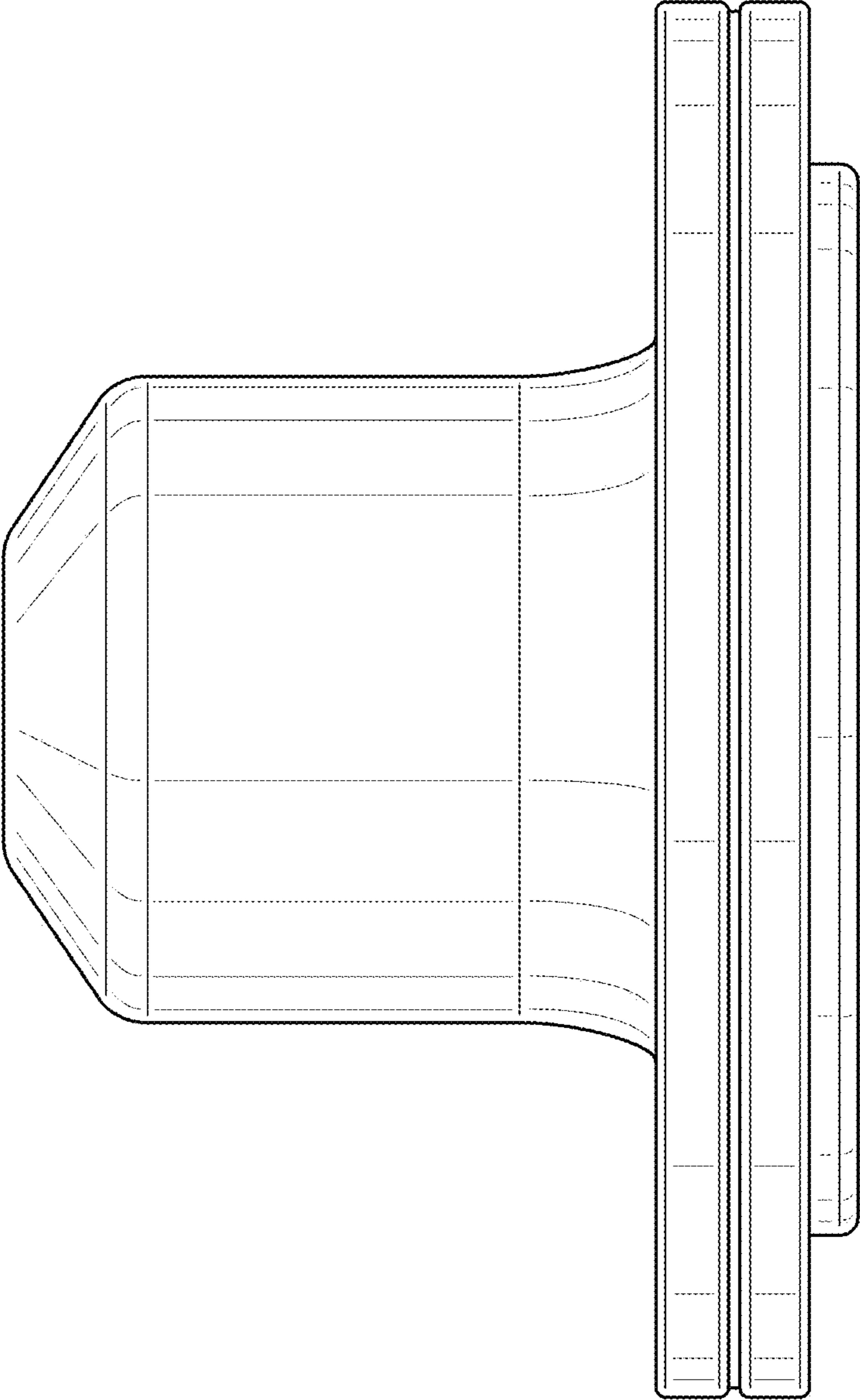


FIG. 3

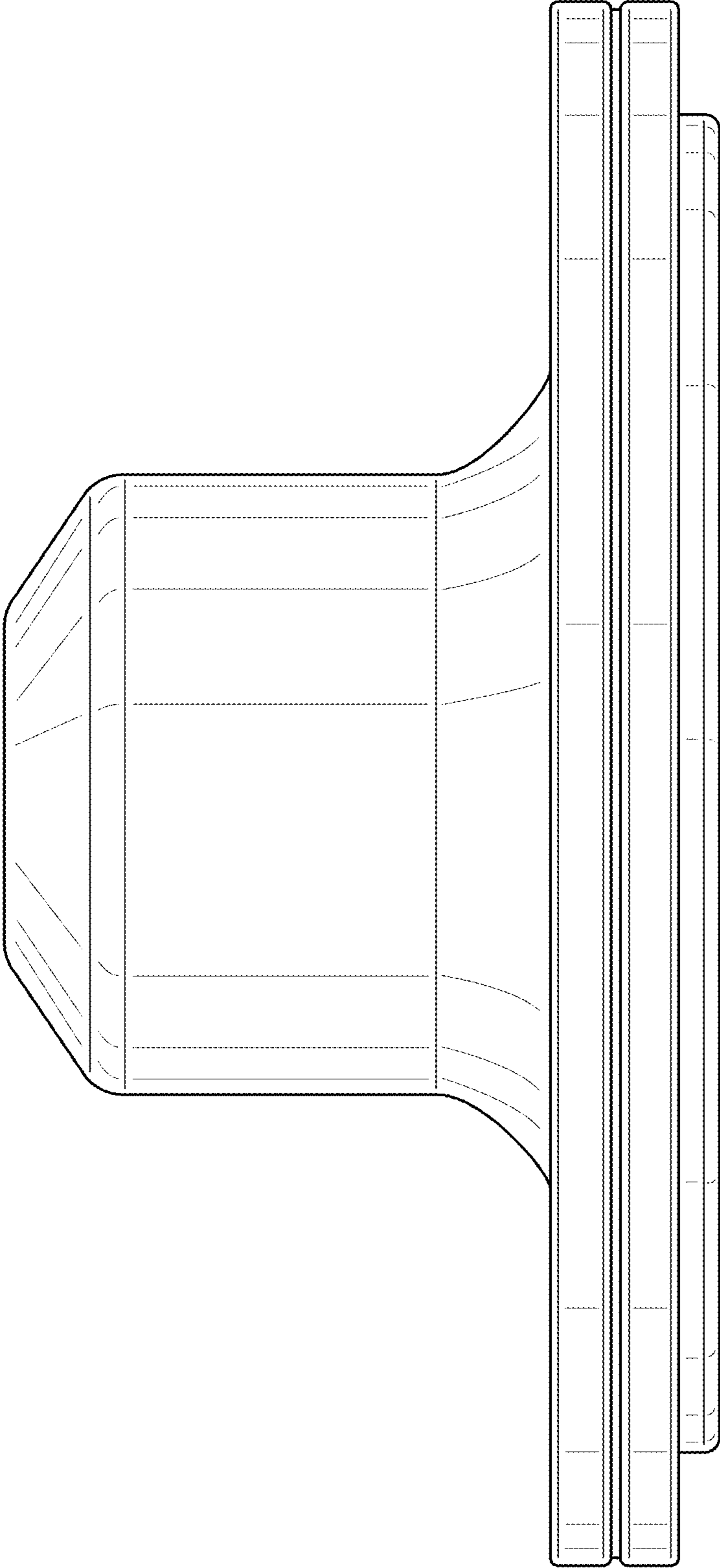


FIG. 4

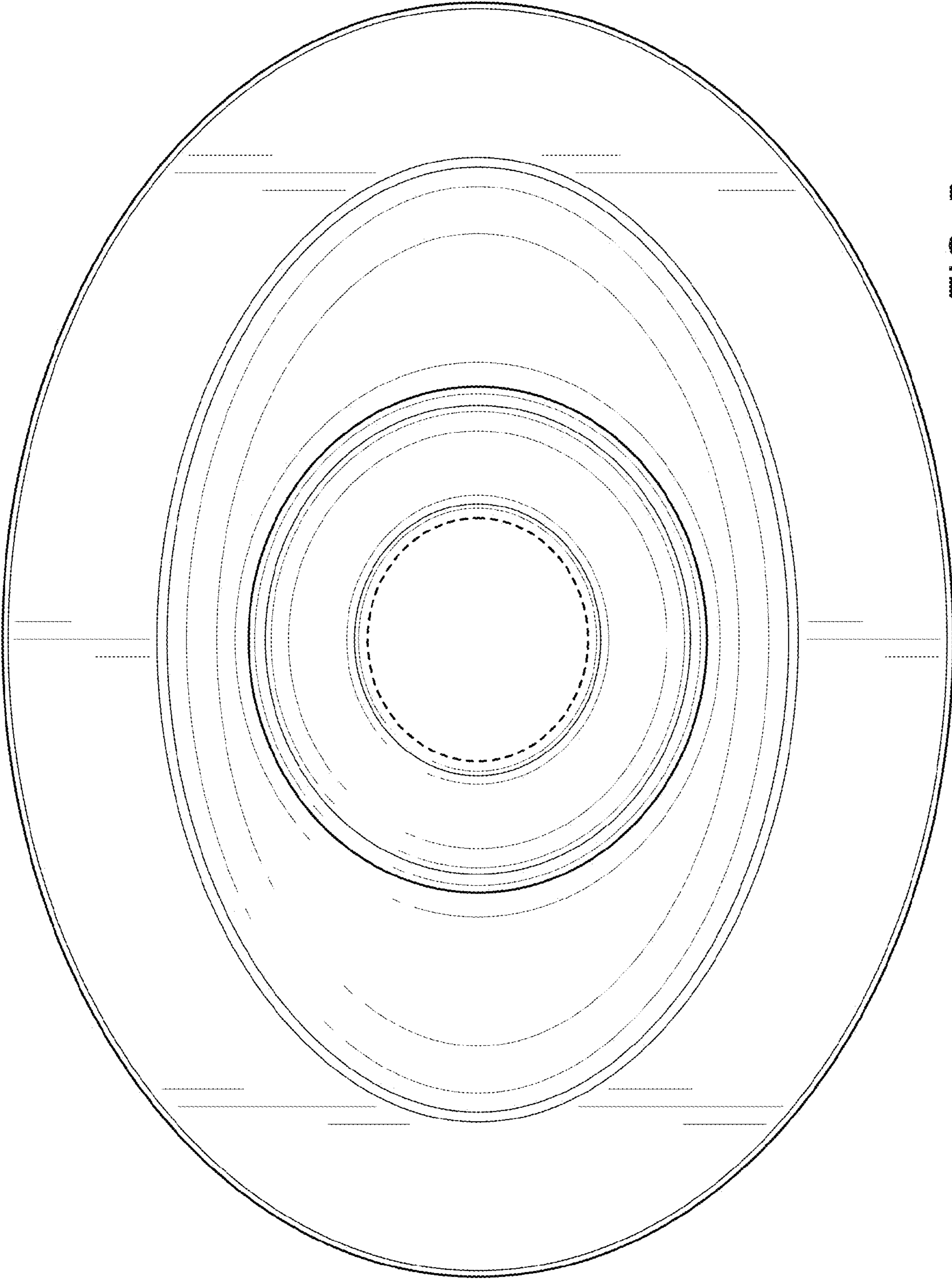


FIG. 5

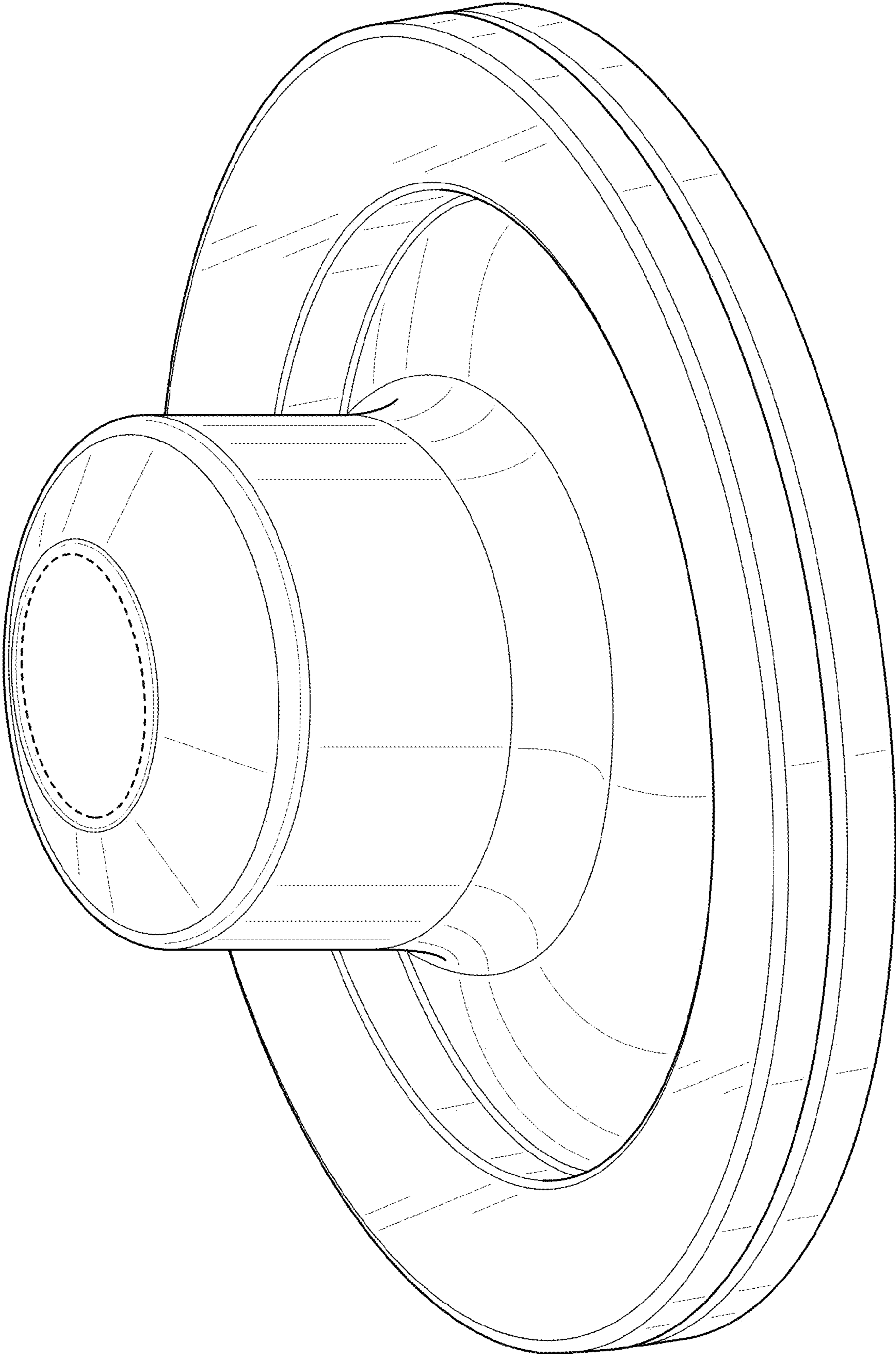


FIG. 6

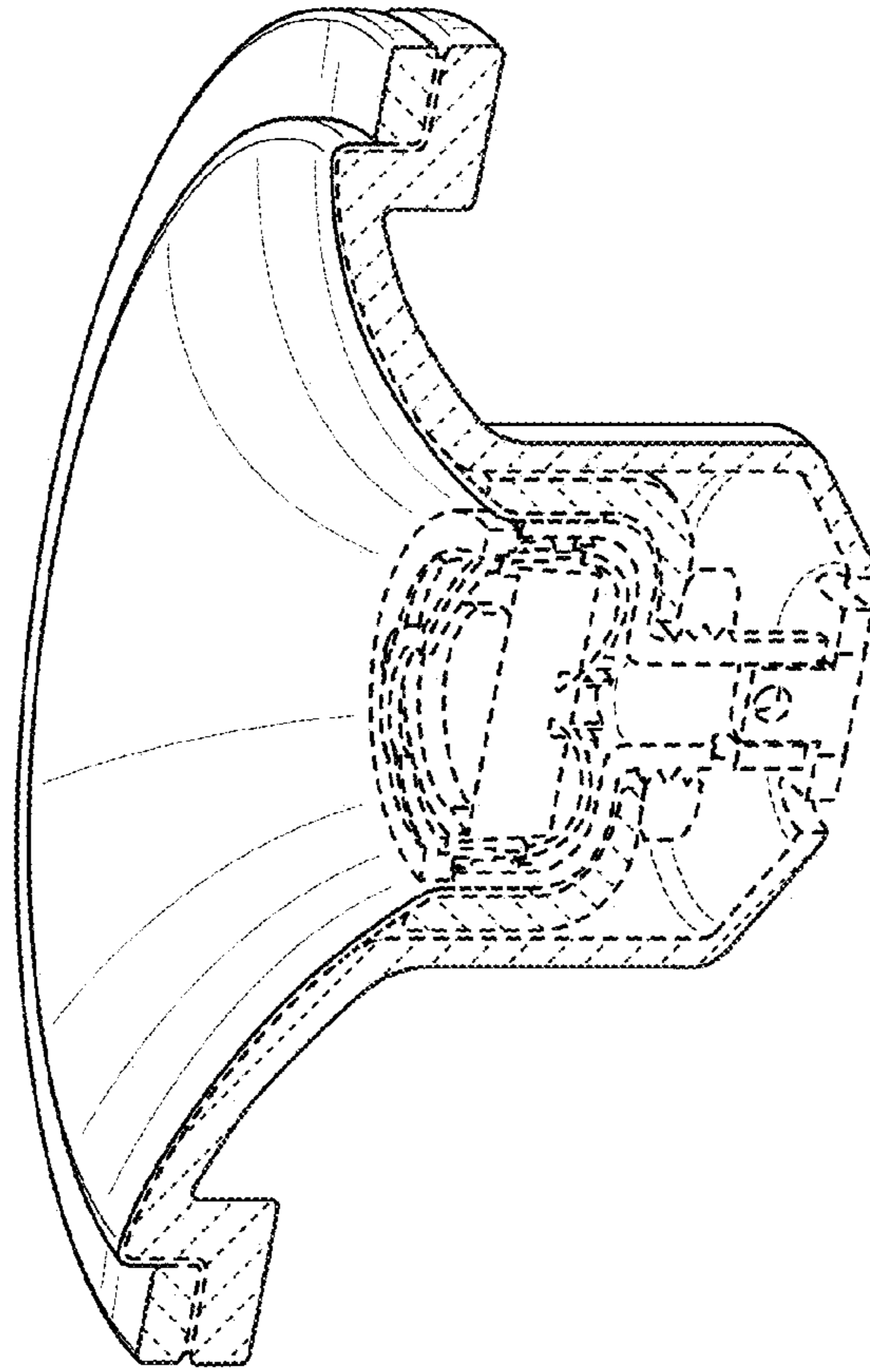


FIG. 8

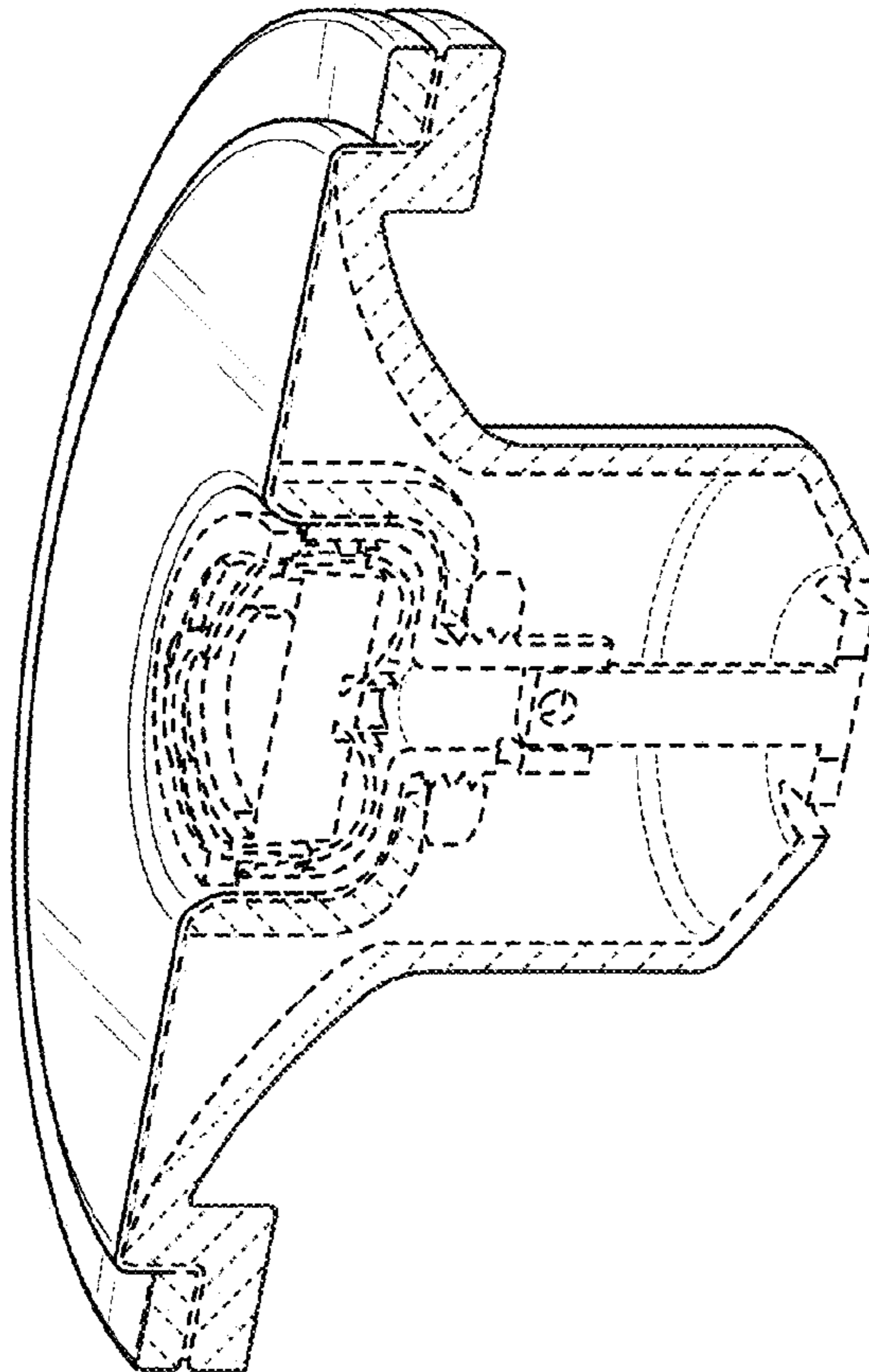


FIG. 7

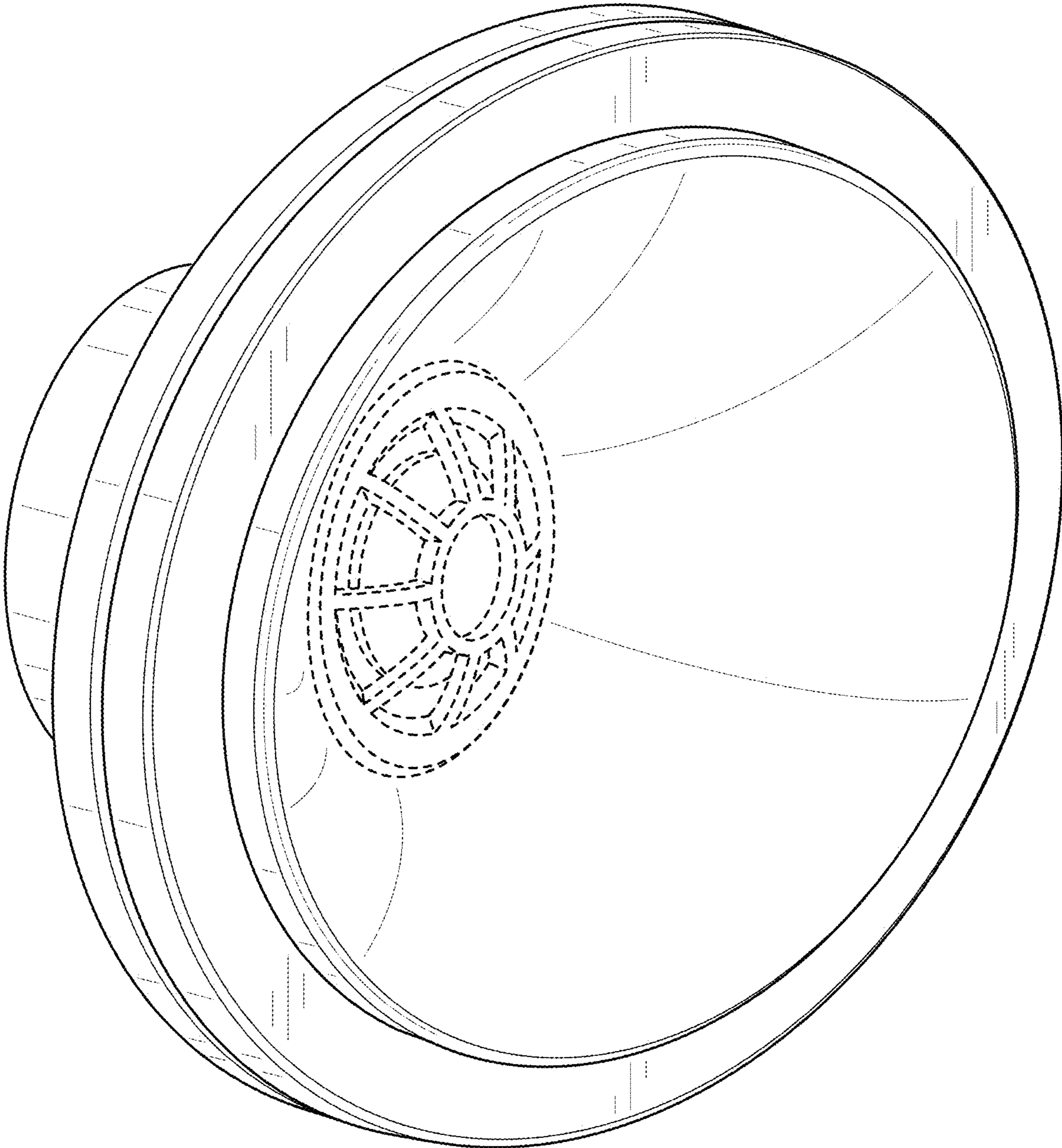


FIG. 9

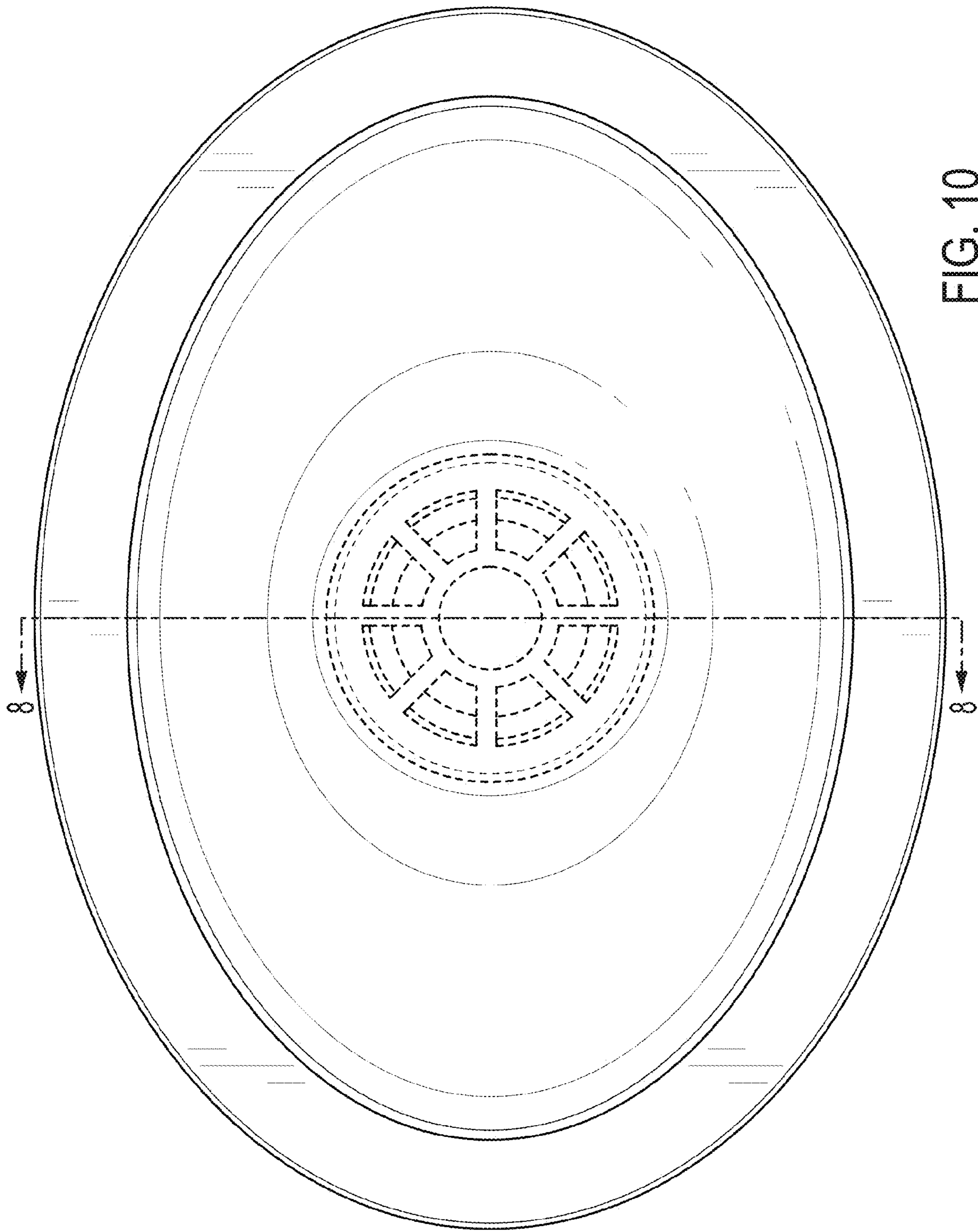


FIG. 10