



US00D904342S

(12) **United States Design Patent** (10) **Patent No.:** **US D904,342 S**
Kim et al. (45) **Date of Patent:** **** Dec. 8, 2020**

(54) **SOUND BAR**

(71) Applicant: **LG ELECTRONICS INC.**, Seoul (KR)

(72) Inventors: **JunKi Kim**, Seoul (KR); **Sungyong Park**, Seoul (KR)

(73) Assignee: **LG ELECTRONICS INC.**, Seoul (KR)

(**) Term: **15 Years**

(21) Appl. No.: **35/507,712**

(22) Filed: **May 8, 2019**

(80) **Hague Agreement Data**

Int. Filing Date: **May 8, 2019**

Int. Reg. No.: **DM/203542**

Int. Reg. Date: **May 8, 2019**

Int. Reg. Pub. Date: **Nov. 8, 2019**

(30) **Foreign Application Priority Data**

Nov. 22, 2018 (KR) 30-2018-0054388

(51) **LOC (12) Cl.** **14-03**

(52) **U.S. Cl.**
USPC **D14/214**

(58) **Field of Classification Search**

USPC D14/204–216, 221, 265, 496–506, 188,
D14/194–198, 203.1, 203.8

CPC H04R 1/1016; H04R 1/1041; H04R
2420/07; H04R 29/001; H04R 3/04;
H04R 5/02; H04R 9/025; H04R 9/06;
H04R 19/005; H04R 1/025; H04R 1/026;
H04R 1/1008; H04R 1/1025; H04R
1/105; H04R 2201/107; H04R 2460/13;
H04R 3/00; H04R 5/033; H04R 7/18;
H04R 17/005; H04R 19/02; H04R 1/04;
H04R 1/1058; H04R 1/1083; H04R
1/1091; H04R 1/2811; H04R 1/323;
H04R 1/342; H04R 2201/029; H04R
2227/005; H04R 2400/11; H04R 2420/09;
H04R 2460/03; H04R 2499/13; H04R
2499/15; H04R 25/602; H04R 27/00;

H04R 3/005; H04R 3/02; H04R 3/12;
H04R 3/14; H04R 5/0335; H04R 7/127;
H04R 9/022; H04R 17/00; H04R 19/04;
H04R 1/028; H04R 1/08; H04R 1/083;
H04R 1/1033; H04R 1/1066; H04R
1/1075; H04R 1/222; H04R 1/26; H04R
1/2826; H04R 1/288; H04R 1/2888;
H04R 1/30; H04R 1/38; H04R 1/403;
H04R 1/406; H04R 1/44; H04R
2201/003; H04R 2201/021; H04R
2201/028; H04R 2201/105; H04R
2201/34; H04R 2201/401; H04R 2217/03;
H04R 2225/0213; H04R

(Continued)

(56) **References Cited**

U.S. PATENT DOCUMENTS

D821,342 S * 6/2018 Kim D14/126
D824,352 S * 7/2018 Kim D14/126

(Continued)

Primary Examiner — Khawaja Anwar

(74) *Attorney, Agent, or Firm* — Birch, Stewart, Kolasch
& Birch, LLP

(57) **CLAIM**

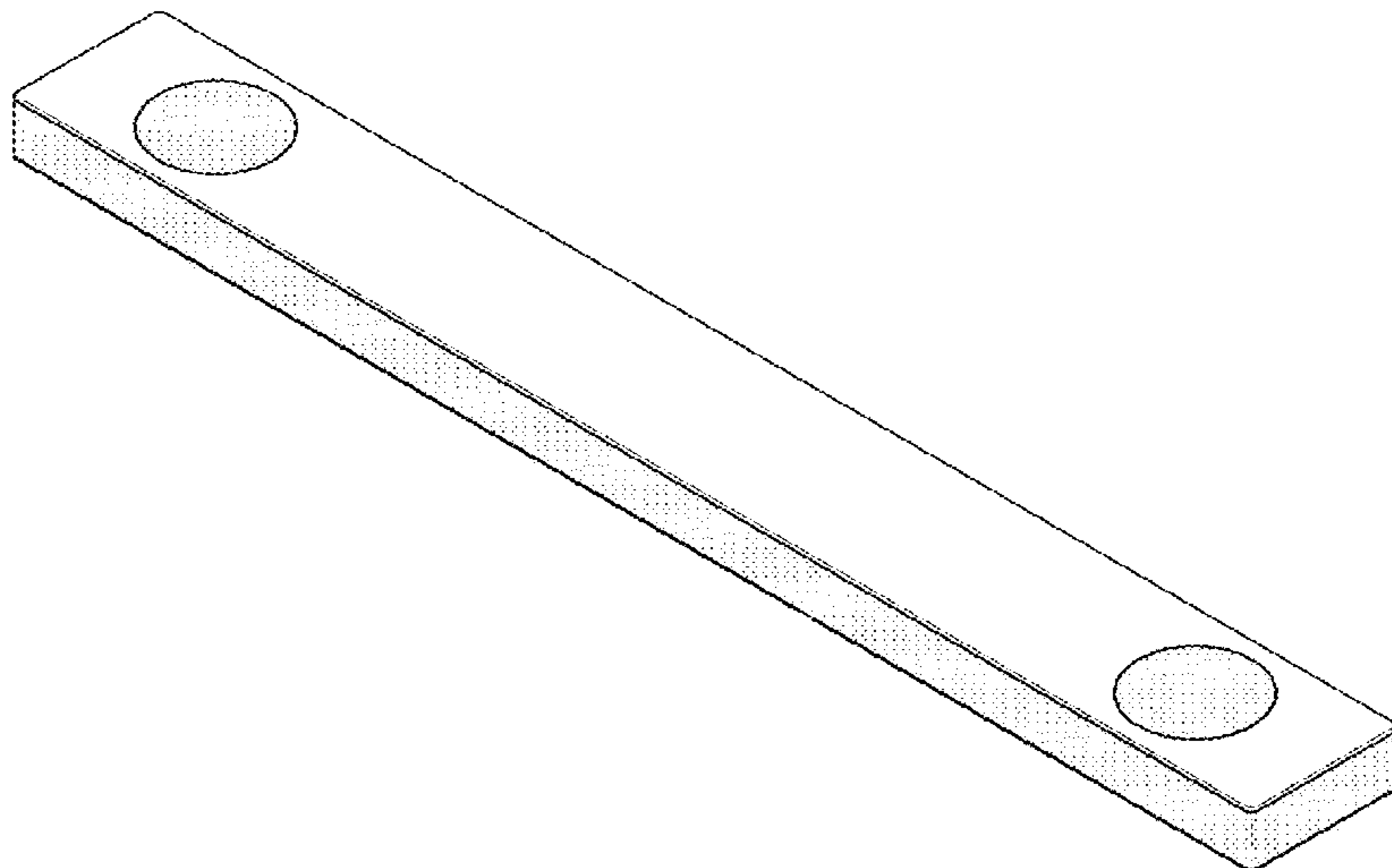
The ornamental design for a sound bar, as shown and
described.

DESCRIPTION

- 1. Sound bar
- 1.1 : Perspective
- 1.2 : Front
- 1.3 : Back
- 1.4 : Left
- 1.5 : Right
- 1.6 : Top
- 1.7 : Bottom

The broken lines indicate portions of the article that form no
part of the claimed design.

1 Claim, 7 Drawing Sheets



(58) **Field of Classification Search**

CPC ... 2225/023; H04R 2225/025; H04R 2225/43;
H04R 2227/003; H04R 2307/021; H04R
2307/025; H04R 2307/027; H04R
2307/207; H04R 23/002; H04R 2400/03;
H04R 2400/13; H04R 2410/01; H04R
2410/05; H04R 2420/03; H04R 2420/05;
H04R 2440/05; H04R 2460/15; H04R
2460/17; H04R 2499/11; H04R 25/305;
H04R 25/405; H04R 25/407; H04R
25/453; H04R 25/505; H04R 25/556;
H04R 25/558; H04R 25/603; H04R
25/604; H04R 25/654; H04R 29/00;
H04R 29/007; H04R 31/00; H04R
31/003; H04R 31/006; H04R 5/00; H04R
5/04; H04R 7/02; H04R 7/04; H04R
7/045; H04R 7/12; H04R 7/125; H04R
7/20; H04R 9/063

See application file for complete search history.

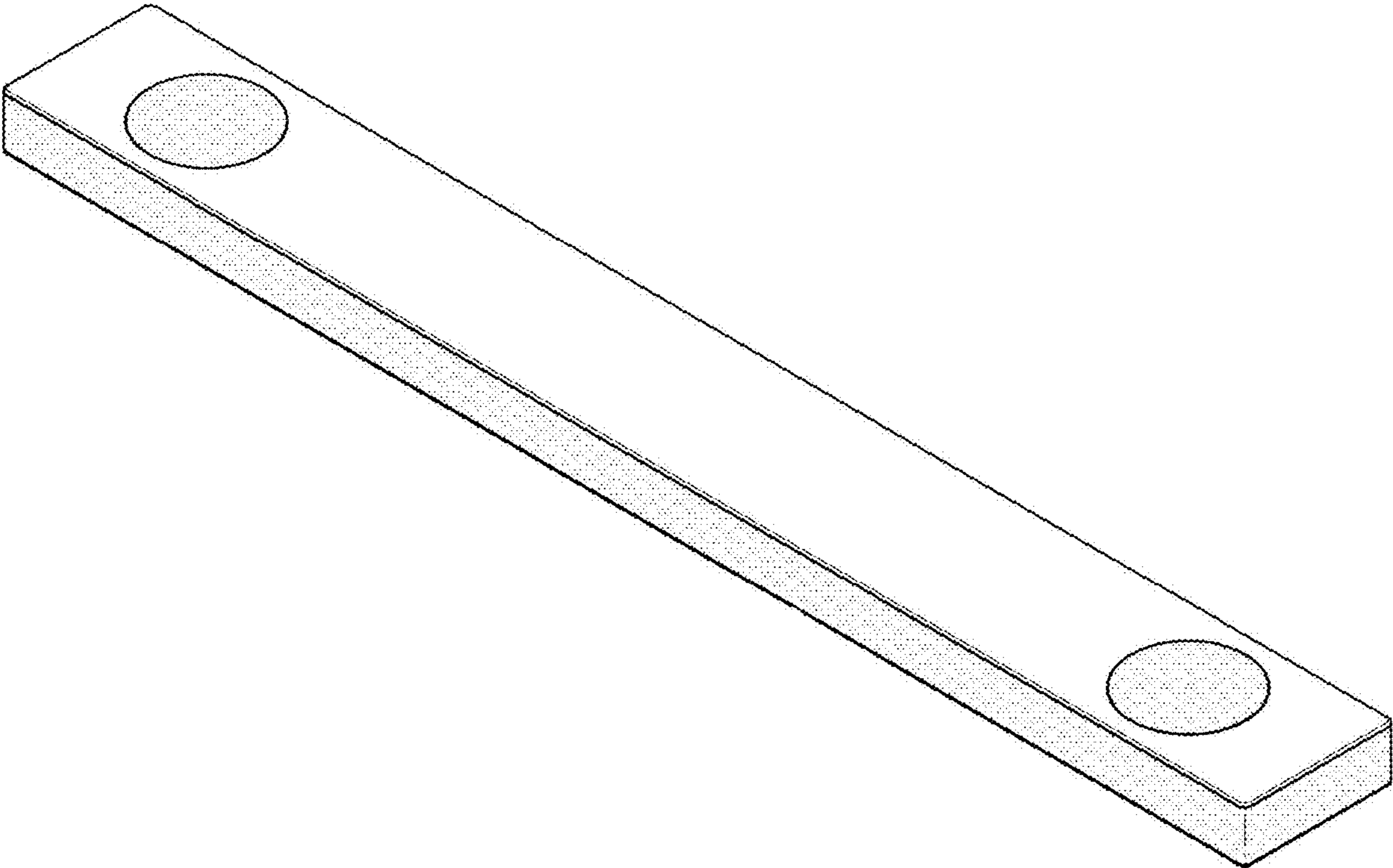
(56) **References Cited**

U.S. PATENT DOCUMENTS

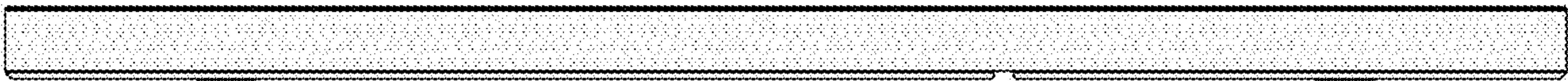
D826,891	S	*	8/2018	Kim	D14/204
D835,605	S	*	12/2018	Schoolmeester	D14/214
D835,606	S	*	12/2018	Won	D14/215
D835,608	S	*	12/2018	Kim	D14/215
D836,607	S	*	12/2018	Kim	D14/216
D874,433	S	*	2/2020	Boerner	D14/214
D883,953	S	*	5/2020	Chong	D14/214
D886,799	S	*	6/2020	Yang	D14/214

* cited by examiner

1.1



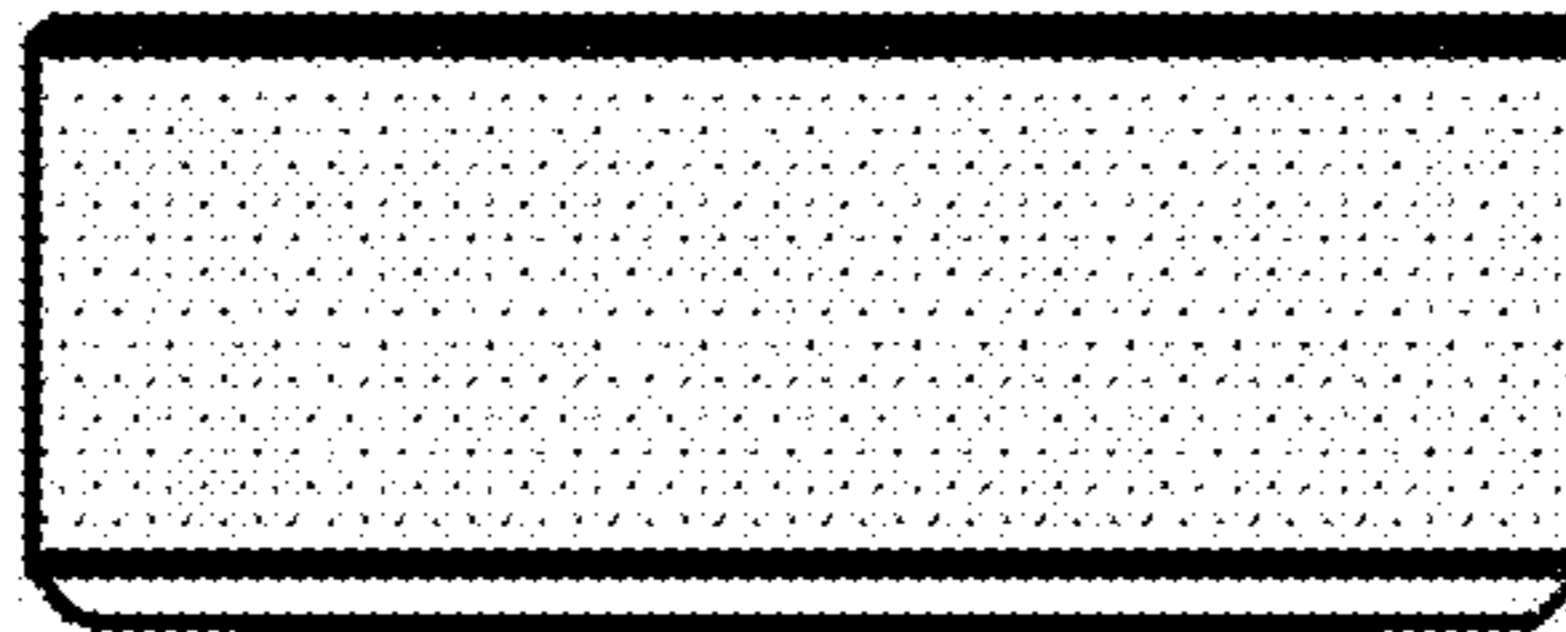
1.2



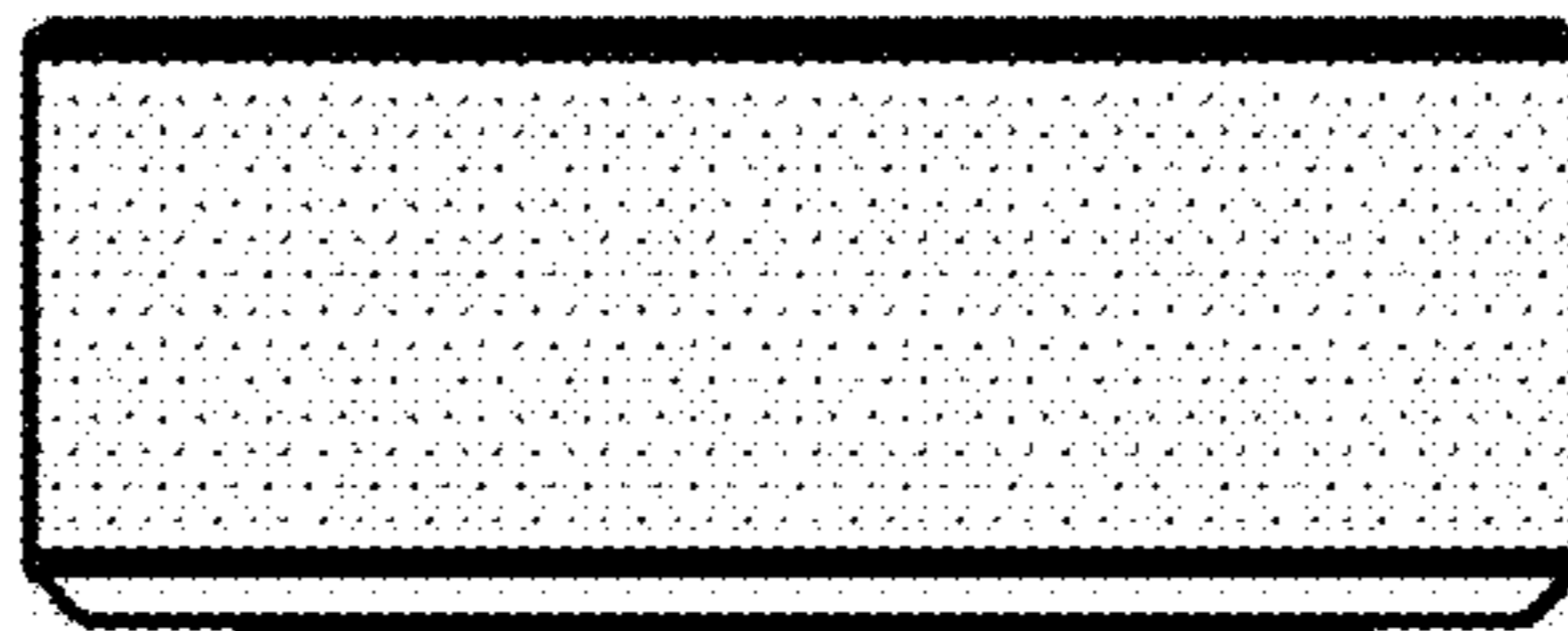
1.3



1.4



1.5



1.6



1.7

