



US00D904341S

(12) **United States Design Patent**
He et al.

(10) **Patent No.:** **US D904,341 S**

(45) **Date of Patent:** **** Dec. 8, 2020**

(54) **WIRELESS HEADPHONES**

(71) Applicant: **SHENZHEN THOUSANDSHORES TECHNOLOGY CO., LTD.**, Shenzhen (CN)

(72) Inventors: **Eric He**, Shenzhen (CN); **Sam Liu**, Shenzhen (CN)

(**) Term: **15 Years**

(21) Appl. No.: **29/698,931**

(22) Filed: **Jul. 22, 2019**

(51) **LOC (12) Cl.** **14-01**

(52) **U.S. Cl.**
USPC **D14/206**; D14/226

(58) **Field of Classification Search**
USPC D14/206, 226, 205, 188, 192, 225, 219; D29/112; 2/209; 381/380, 381, 374, 381/189, 395, 87; 455/90.3, 575.1, 455/569.1; D25/156
CPC H04R 25/00; H04R 25/02; H04R 1/1066; H04R 1/1016; H04R 5/033; H04R 5/0335; H04R 1/1091; H04R 1/1058
See application file for complete search history.

D302,429 S * 7/1989 Leer D14/137
D346,804 S * 5/1994 Tokiyama D14/225
5,400,413 A * 3/1995 Kindel H04R 1/023
181/199
D358,391 S * 5/1995 Isono D14/205
D408,414 S * 4/1999 Stead D14/219
D432,522 S * 10/2000 Kieltyka D14/214
D457,874 S * 5/2002 Yoneda D14/205
6,579,038 B1 * 6/2003 McAllister E02B 3/123
404/38
D484,485 S * 12/2003 Matsuoka D14/205
6,654,966 B2 * 12/2003 Rolla H04R 1/1066
2/209
D508,483 S * 8/2005 Suzuki D14/205
(Continued)

(56) **References Cited**

U.S. PATENT DOCUMENTS

1,080,953 A * 12/1913 Catucci H04R 7/14
181/164
2,876,628 A * 3/1959 Dixon, Jr. E02B 3/123
405/20
2,957,308 A * 10/1960 Long F02C 7/141
138/41
D219,384 S * 12/1970 Palmquist D14/219
4,032,725 A * 6/1977 McGee H04R 1/025
381/395
D246,259 S * 11/1977 Nishimura D14/205
D254,183 S * 2/1980 Doodson D14/205
D255,234 S * 6/1980 Wellward 181/150
D262,019 S * 11/1981 Upshaw D14/205

FOREIGN PATENT DOCUMENTS

EM 006874400-0001 * 9/2019
EM 007884176-0002 * 5/2020

Primary Examiner — Paula Allen Greene
(74) *Attorney, Agent, or Firm* — Erson IP (Nelson IP)

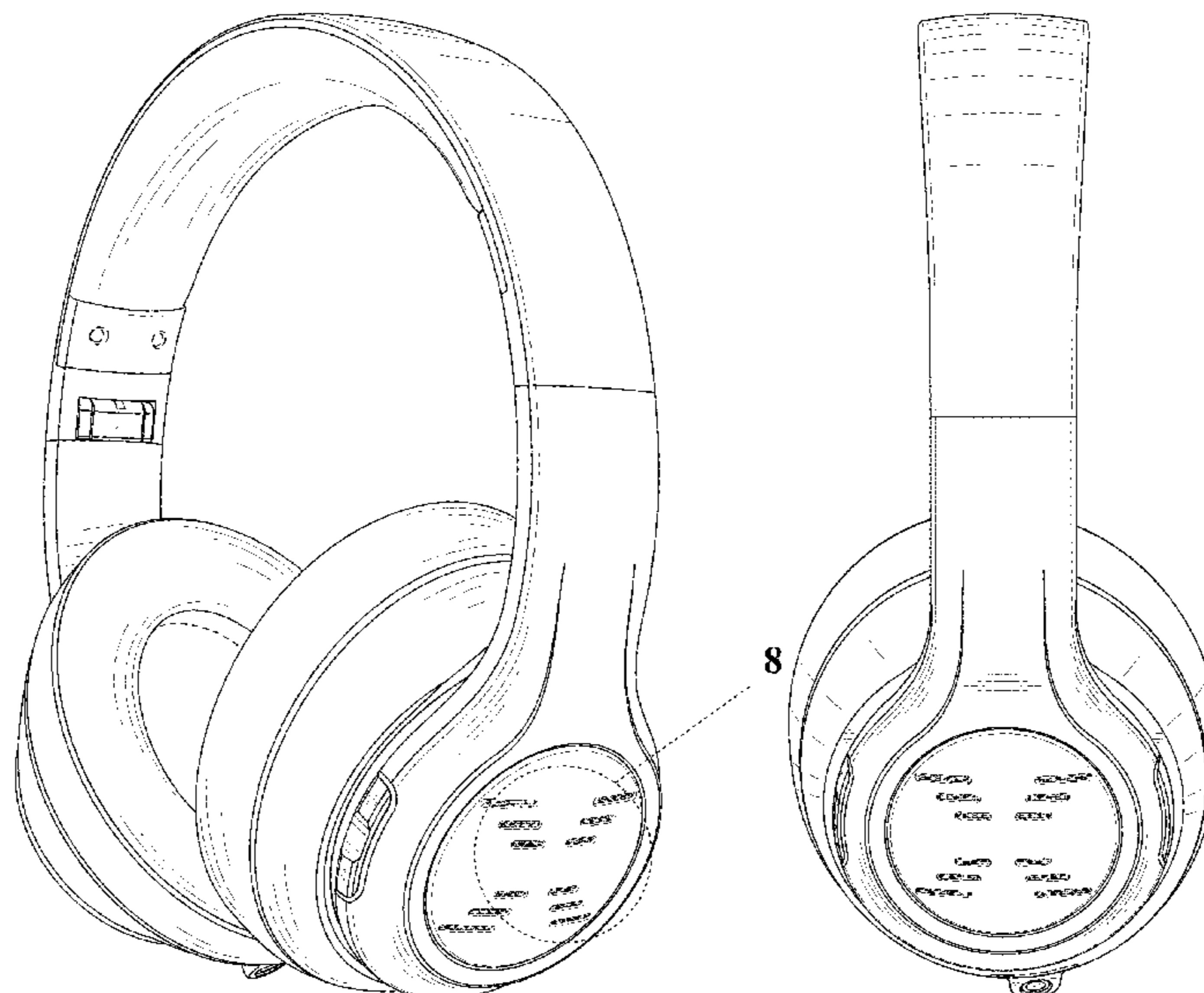
(57) **CLAIM**

The ornamental design for a wireless headphones, as shown and described.

DESCRIPTION

FIG. 1 is a perspective view of a wireless headphones showing my new design;
FIG. 2 is a front view thereof;
FIG. 3 is a rear view thereof;
FIG. 4 is a left side view thereof;
FIG. 5 is a right side view thereof;
FIG. 6 is a top plan view thereof;
FIG. 7 is a bottom plan, view thereof; and,
FIG. 8 is an enlarged partial view of FIG. 1.
The broken lines are for the purposes of illustrating portions of the wireless headphones and form no part of the claimed design.

1 Claim, 8 Drawing Sheets



(56)

References Cited

U.S. PATENT DOCUMENTS

D517,527 S * 3/2006 Suzuki D14/205
 D581,487 S * 11/2008 Wildfang D23/249
 D587,684 S * 3/2009 Ham D14/205
 D604,266 S * 11/2009 Milde D14/205
 D635,959 S * 4/2011 Hutchieson D14/205
 D657,344 S * 4/2012 Brunner D14/205
 D660,823 S * 5/2012 Hardi D14/205
 D660,824 S * 5/2012 Hardi D14/205
 D663,716 S * 7/2012 Hardi D14/205
 D673,520 S * 1/2013 Tan D14/205
 D677,648 S * 3/2013 Lee D14/206
 D690,284 S * 9/2013 Brennwald D14/205
 D712,872 S * 9/2014 Yuen D14/205
 D723,508 S * 3/2015 Garland D14/205
 D725,074 S * 3/2015 Boeckel D14/205
 D733,092 S * 6/2015 Gan D14/205
 D745,859 S * 12/2015 Kiuchi D14/205

D747,291 S * 1/2016 Lee D14/205
 D758,990 S * 6/2016 Jiang D14/205
 D760,687 S * 7/2016 Brunner D14/205
 D769,219 S * 10/2016 Ohmachi D14/205
 D806,272 S * 12/2017 Bach D25/156
 D808,359 S * 1/2018 Meyer D14/205
 D824,360 S * 7/2018 Hsieh D14/205
 D850,406 S * 6/2019 Hembrey D14/205
 D851,064 S * 6/2019 Wang D14/206
 D864,154 S * 10/2019 Hu D14/205
 D879,742 S * 3/2020 Hu D14/205
 D881,157 S * 4/2020 Chen D14/205
 D891,399 S * 7/2020 Chen D14/206
 D892,079 S * 8/2020 Wu D14/205
 2013/0264256 A1 * 10/2013 Hebert E03F 5/0404
 210/163
 2014/0341415 A1 * 11/2014 Camello H04R 1/1091
 381/379
 2020/0213703 A1 * 7/2020 Yoneyama H04R 1/1058

* cited by examiner

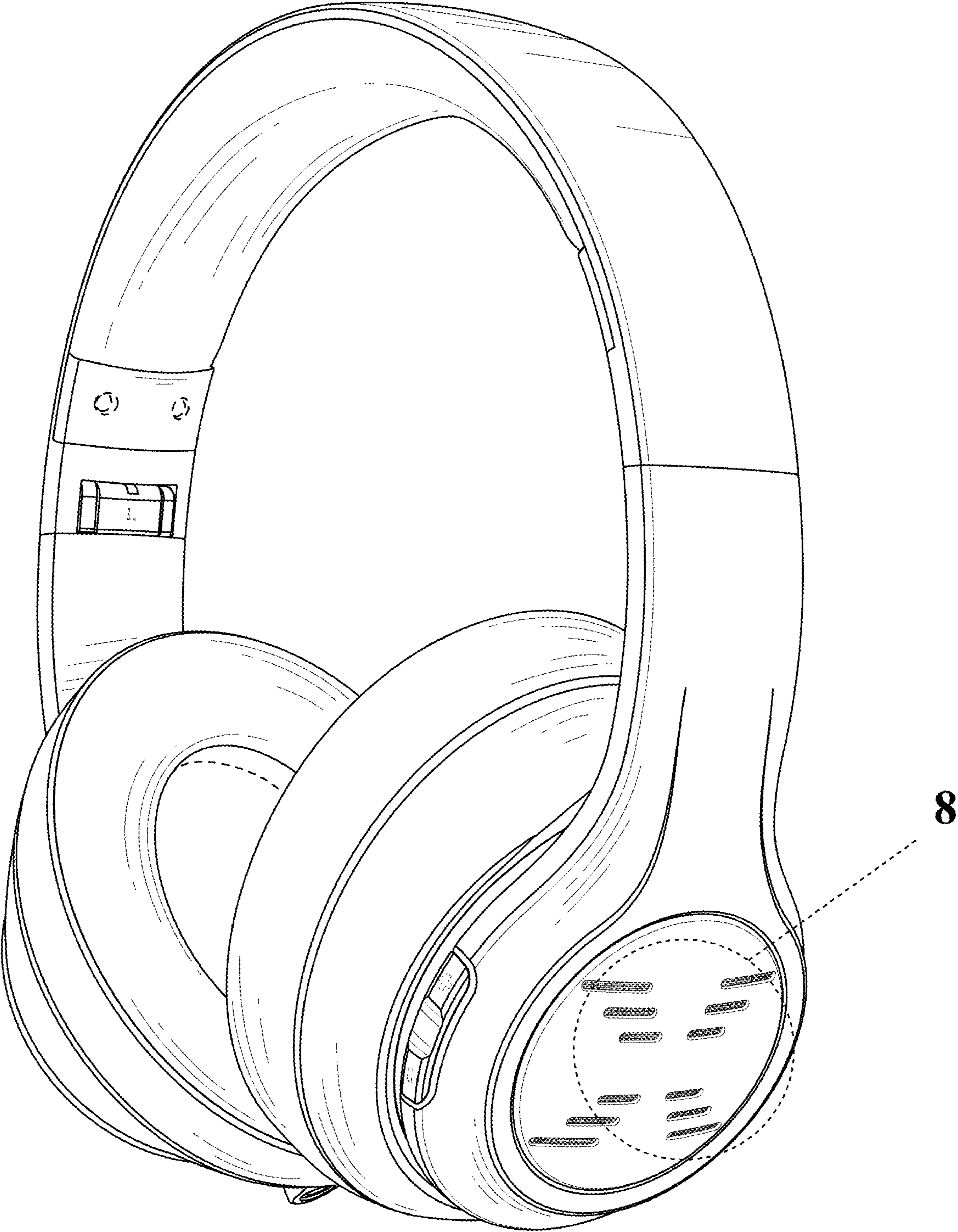


FIG. 1



FIG. 2



FIG. 3

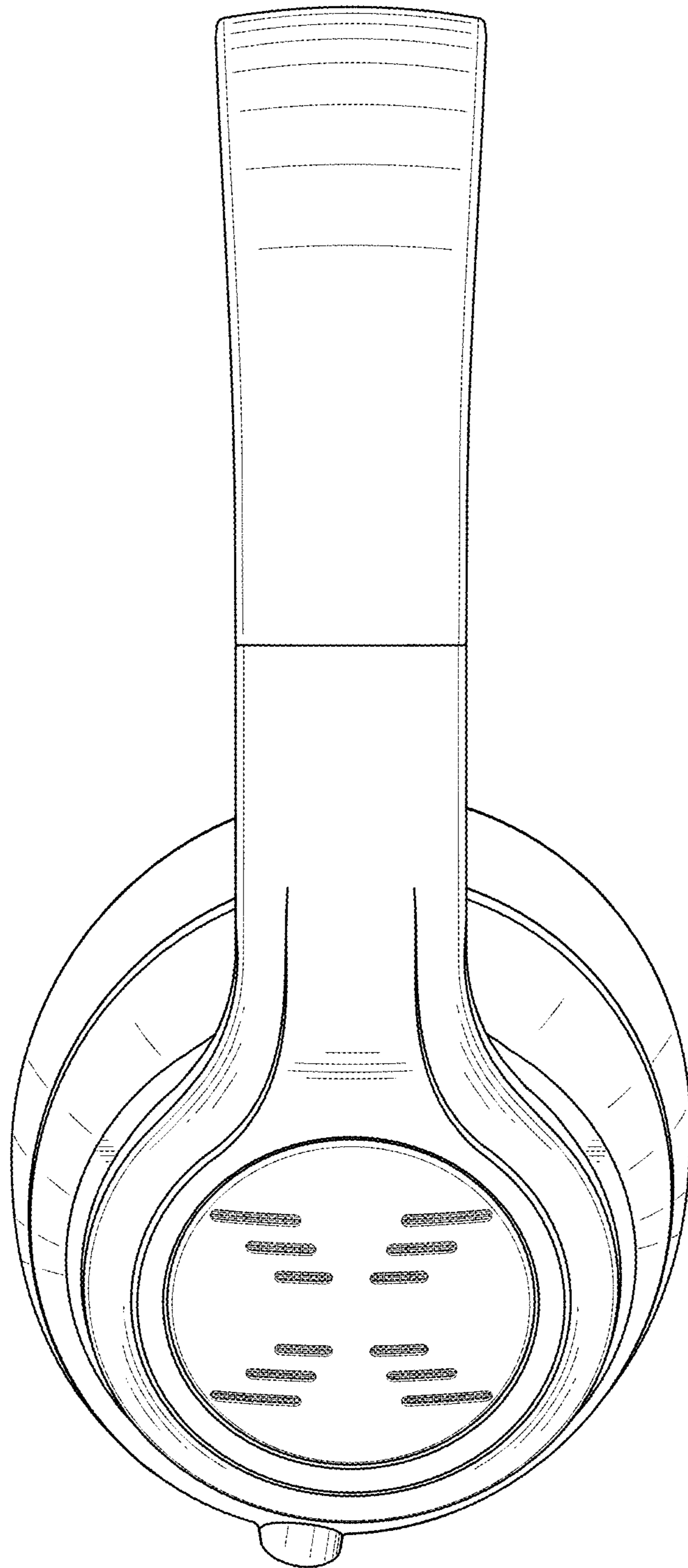


FIG. 4

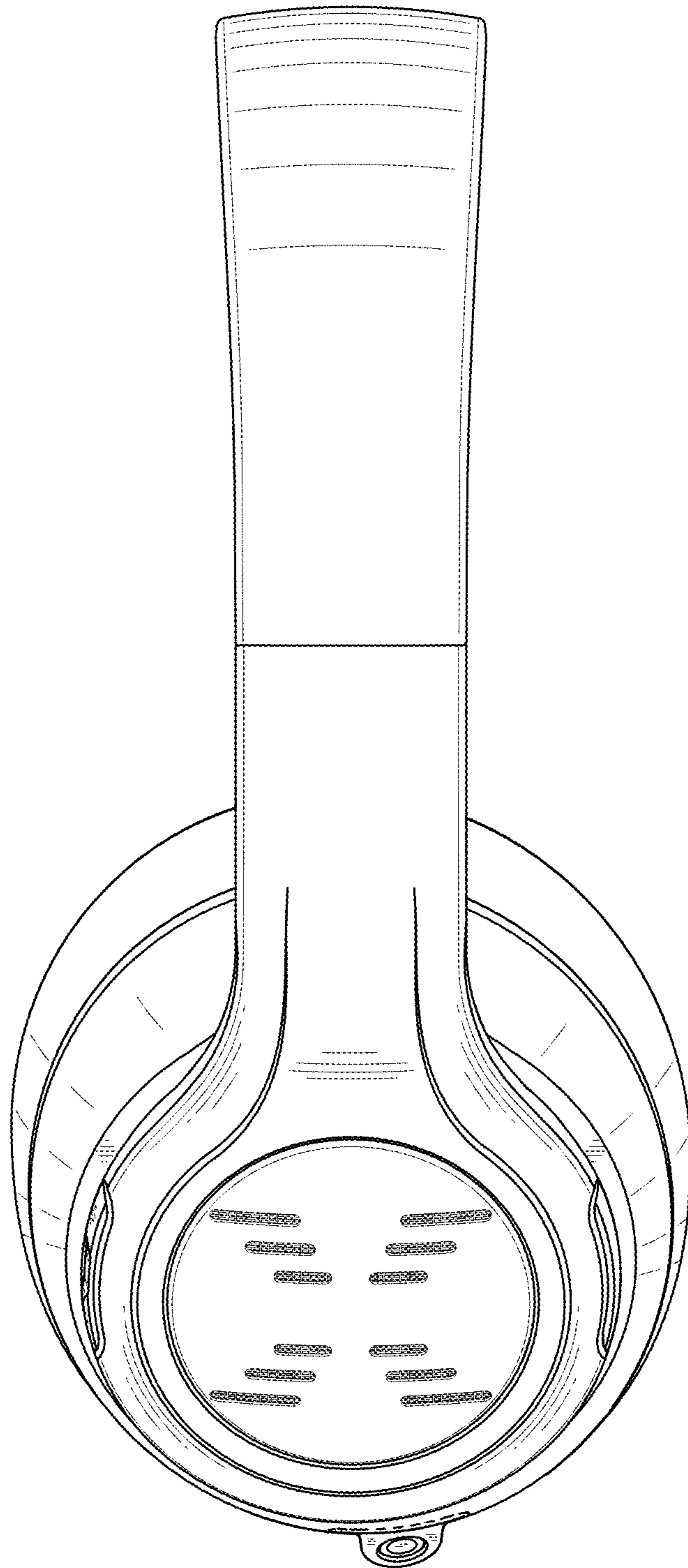


FIG. 5

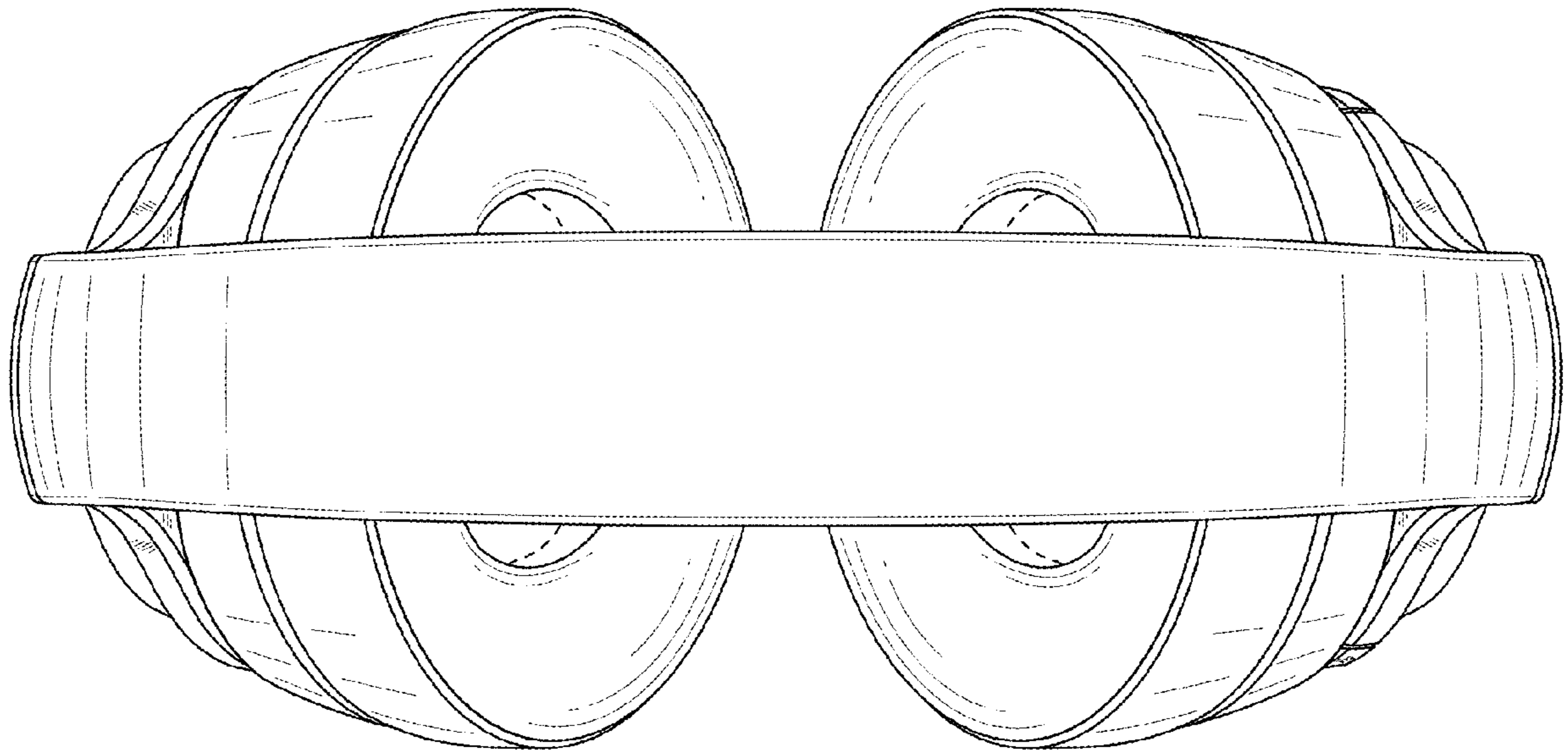


FIG. 6

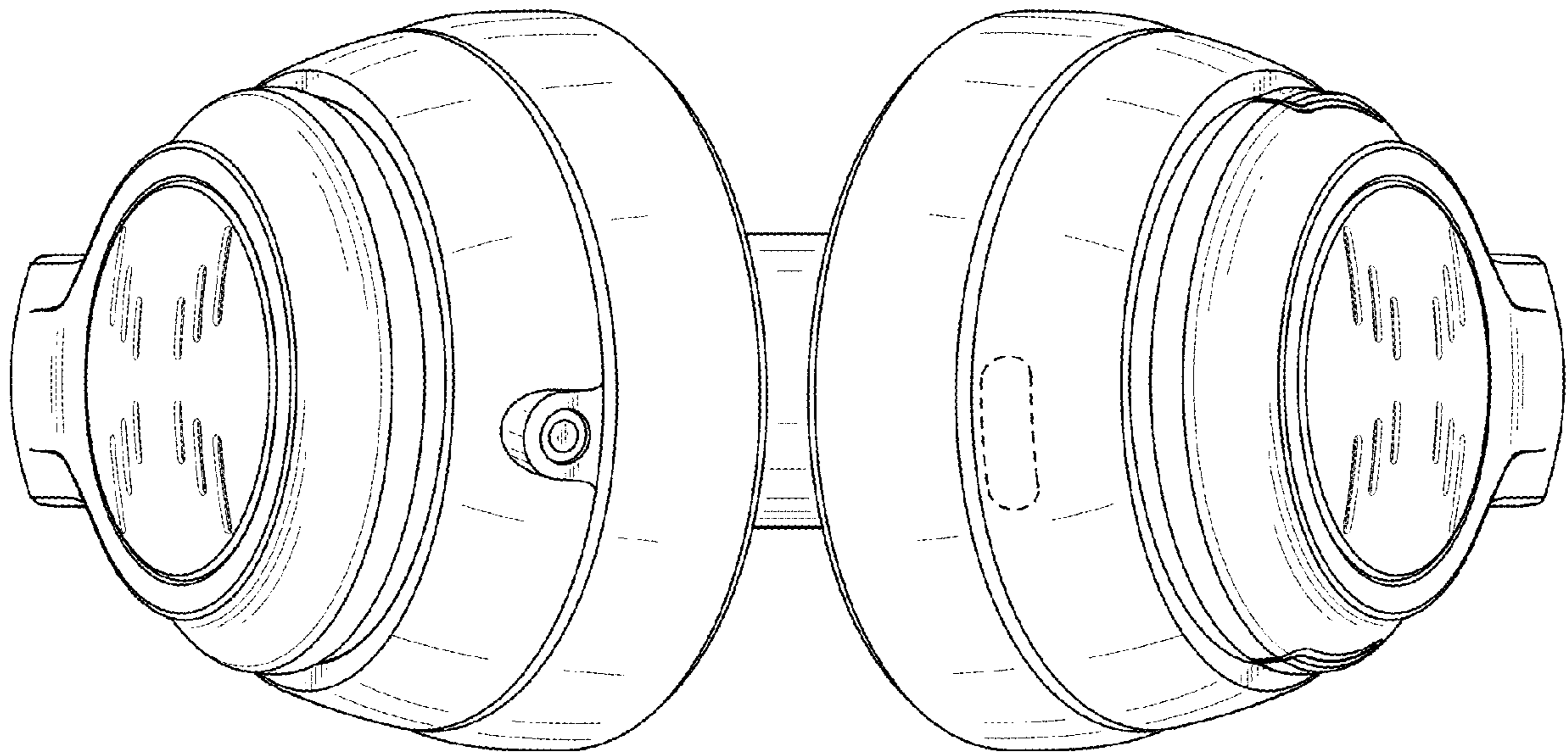


FIG. 7

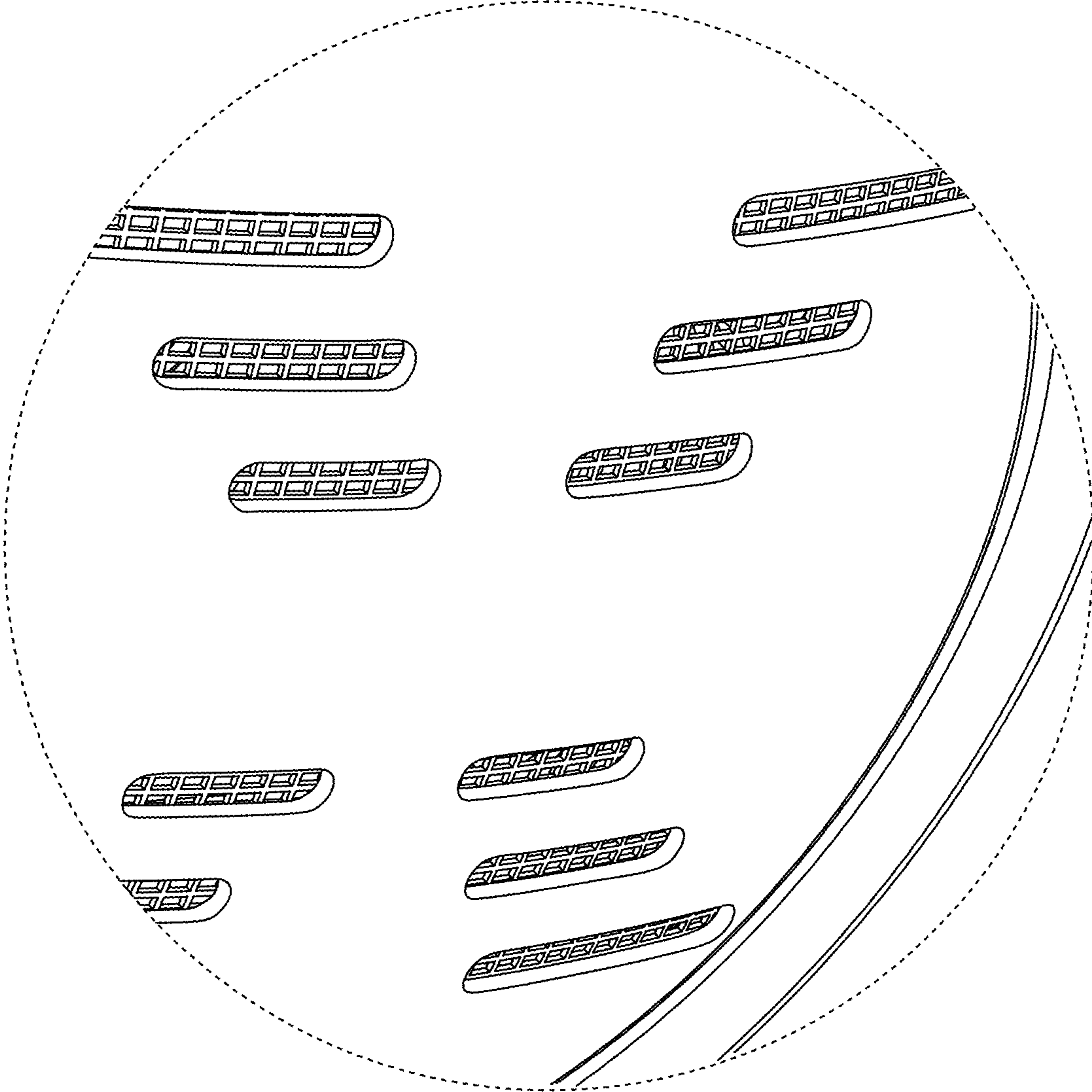


FIG. 8