



US00D904339S

(12) **United States Design Patent**  
**Wang**

(10) **Patent No.:** **US D904,339 S**

(45) **Date of Patent:** **\*\* Dec. 8, 2020**

(54) **HEADPHONE**

(71) Applicant: **ASKA ELECTRONICS CO., LTD.**,  
Guangdong (CN)

(72) Inventor: **Yulei Wang**, Shenzhen (CN)

(73) Assignee: **ASKA ELECTRONICS CO., LTD.**,  
Dongguan (CN)

(\*\*) Term: **15 Years**

(21) Appl. No.: **29/700,048**

(22) Filed: **Jul. 31, 2019**

(51) **LOC (12) Cl.** ..... **14-01**

(52) **U.S. Cl.**  
USPC ..... **D14/205**

(58) **Field of Classification Search**  
USPC ..... D14/205, 188, 192; D29/112; 2/209;  
381/380, 381, 374; 455/90.3, 575.1,  
455/569.1

CPC .... H04R 25/00; H04R 1/1016; H04R 1/1066;  
H04R 5/033; H04R 5/0335; H04R 1/105;  
H04R 1/1083

See application file for complete search history.

(56) **References Cited**

**U.S. PATENT DOCUMENTS**

D68,060 S *	8/1925	Pacent	.....	D14/249
D328,074 S *	7/1992	Yamazaki	.....	D14/205
7,072,483 B2 *	7/2006	Lenhard-Backhaus	.....	H04R 1/1066
				381/370
D593,995 S *	6/2009	Shimizu	.....	D14/205
D632,668 S *	2/2011	Brunner	.....	D14/205
D643,833 S *	8/2011	Lee	.....	D14/223
D657,344 S *	4/2012	Brunner	.....	D14/205
D660,823 S *	5/2012	Hardi	.....	D14/205
D662,080 S *	6/2012	Carr	.....	D14/205
D663,716 S *	7/2012	Hardi	.....	D14/205
D664,114 S *	7/2012	Tsuchiya	.....	D14/205

D675,595 S *	2/2013	Cho	.....	D14/205
D683,329 S *	5/2013	Hagelin	.....	D14/205
D691,579 S *	10/2013	Lee	.....	D14/205
D691,984 S *	10/2013	Wang	.....	D14/205
D696,226 S *	12/2013	Brunner	.....	H04R 5/033
				D14/205
D725,630 S *	3/2015	Nakagawa	.....	D14/205
D738,350 S *	9/2015	Brunner	.....	D14/205
D739,842 S *	9/2015	Birger	.....	D14/205
D760,687 S *	7/2016	Brunner	.....	D14/205
D769,221 S *	10/2016	Pedersen	.....	D14/206
D791,103 S *	7/2017	Brunner	.....	D14/205
D791,733 S *	7/2017	Brunner	.....	D14/205
D794,601 S *	8/2017	Riggs	.....	D14/205
D794,602 S *	8/2017	Riggs	.....	D14/205

(Continued)

**FOREIGN PATENT DOCUMENTS**

CN 305886731 \* 6/2020

*Primary Examiner* — Paula Allen Greene

(74) *Attorney, Agent, or Firm* — Wayne & Ken, LLC;  
Tony Hom

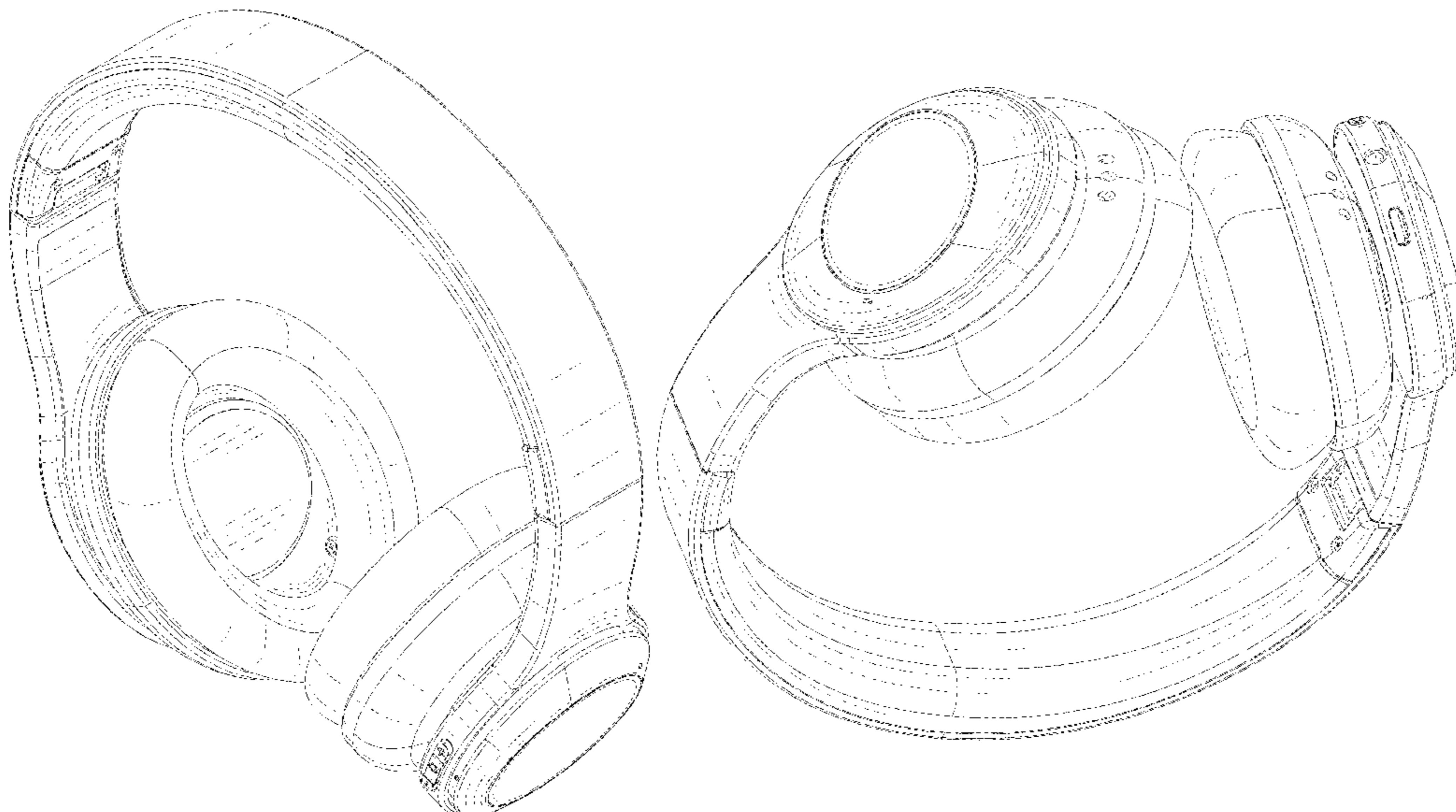
(57) **CLAIM**

The ornamental design for a headphone, as shown and described.

**DESCRIPTION**

FIG. 1 is a perspective view of a headphone showing my new design;  
FIG. 2 is another perspective view thereof;  
FIG. 3 is a front elevation view thereof;  
FIG. 4 is a back elevation view thereof;  
FIG. 5 is a left side view thereof;  
FIG. 6 is a right side view thereof;  
FIG. 7 is a top plan view thereof; and,  
FIG. 8 is a bottom plan view thereof.  
The broken lines in the drawing depict environmental subject matter only and form no part of the claimed design.

**1 Claim, 8 Drawing Sheets**



(56)

**References Cited**

U.S. PATENT DOCUMENTS

D800,691	S	*	10/2017	Ando	.....	D14/205
D811,364	S	*	2/2018	Park	.....	D14/205
D814,440	S	*	4/2018	Hardi	.....	D14/205
D823,278	S	*	7/2018	Ito	.....	D14/205
D826,210	S	*	8/2018	Chong	.....	D14/205
D834,260	S	*	11/2018	Garcia Mansilla	.....	D29/112
D836,084	S	*	12/2018	Xie	.....	D14/205
D840,370	S	*	2/2019	Kelly	.....	D14/205
D852,163	S	*	6/2019	Nagamine	.....	D14/205
D852,775	S	*	7/2019	Ando	.....	D14/205
D857,652	S	*	8/2019	Wang	.....	D14/205
D858,483	S	*	9/2019	Hu	.....	D14/205
D859,354	S	*	9/2019	Xia	.....	D14/205
D860,161	S	*	9/2019	Xia	.....	D14/205
D860,163	S	*	9/2019	Xia	.....	D14/205
D868,731	S	*	12/2019	Jung	.....	D14/205
D868,733	S	*	12/2019	Luo	.....	D14/205
D869,437	S	*	12/2019	Hu	.....	D14/205
D876,388	S	*	2/2020	Carr	.....	D14/205
D877,114	S	*	3/2020	Lindenberger	.....	D14/205
D883,949	S	*	5/2020	Hu	.....	D14/205
D888,008	S	*	6/2020	Yook	.....	D14/205
D892,079	S	*	8/2020	Wu	.....	D14/205
D893,452	S	*	8/2020	Yook	.....	D14/205
D894,867	S	*	9/2020	Choe	.....	D14/205
2010/0310093	A1	*	12/2010	Semcken	.....	H04R 1/1058 381/104
2011/0206216	A1	*	8/2011	Brunner	.....	H04R 1/1066 381/74

\* cited by examiner



FIG. 1



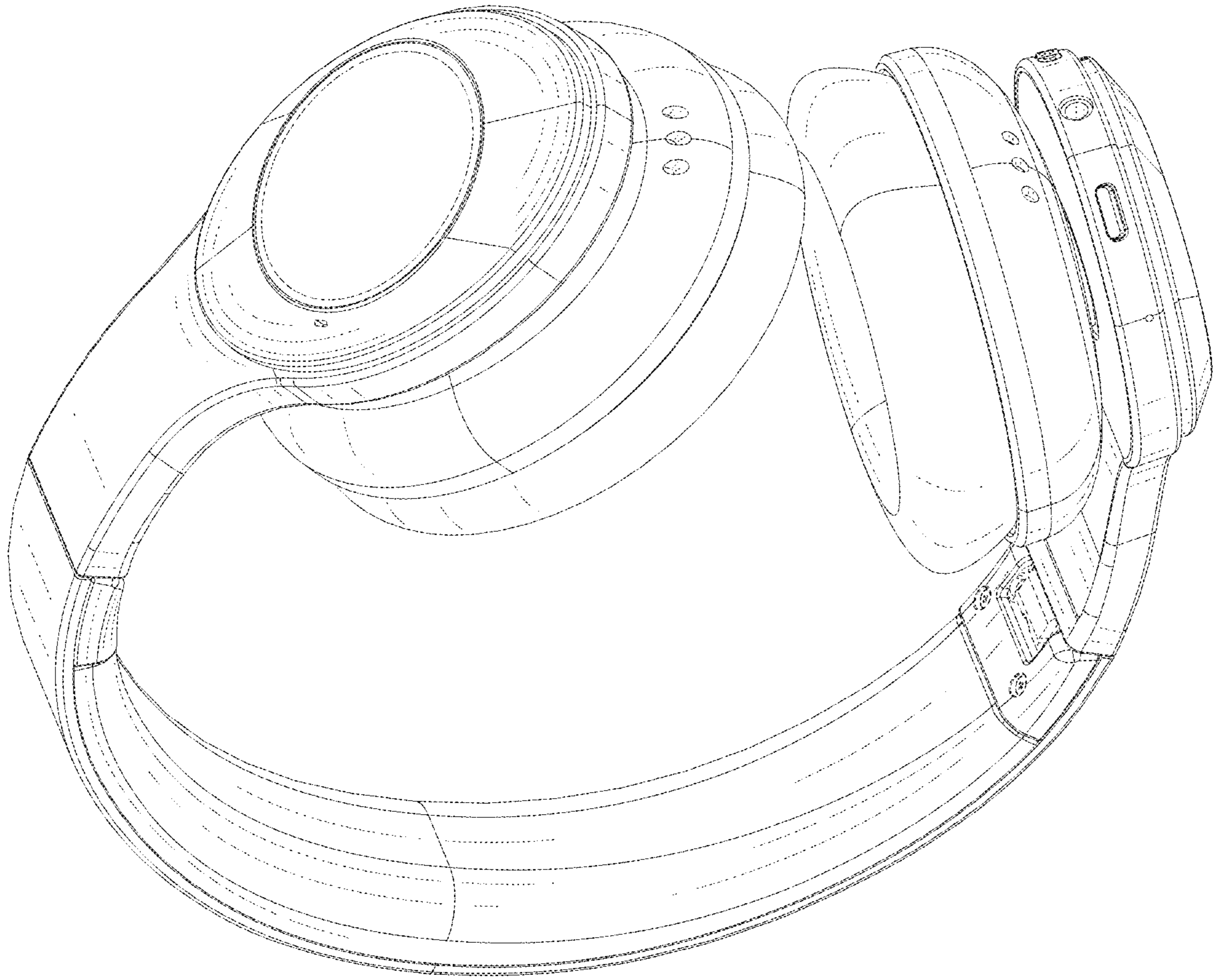


FIG. 2



FIG. 3



FIG. 4

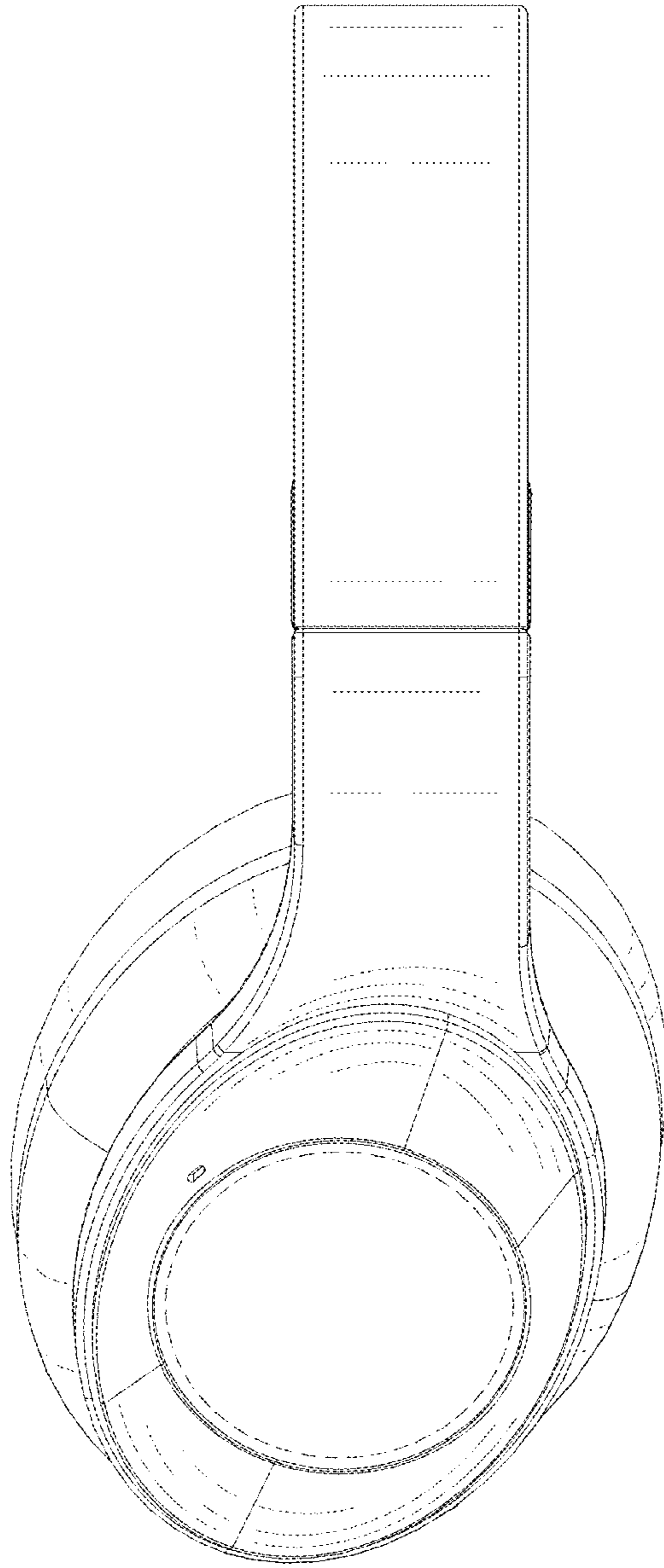


FIG. 5

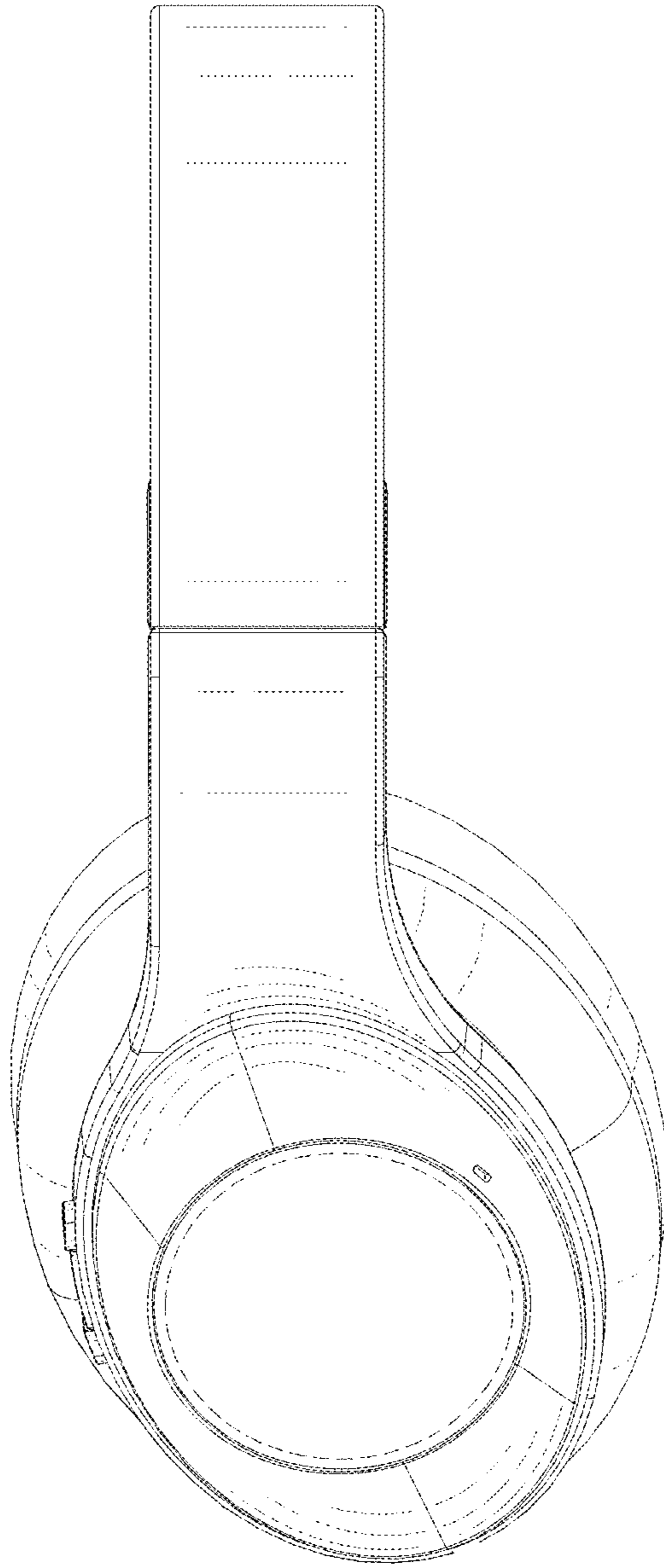


FIG. 6



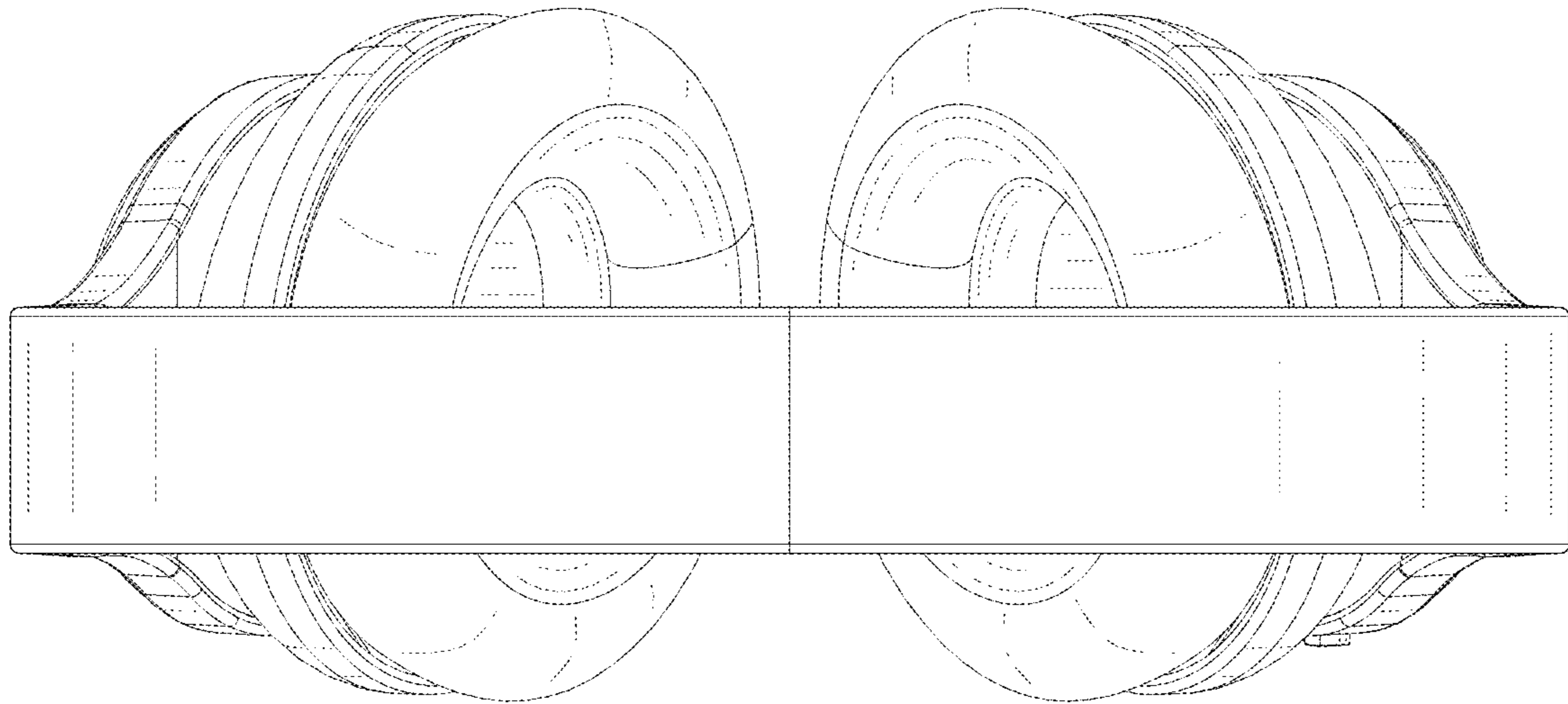


FIG. 7

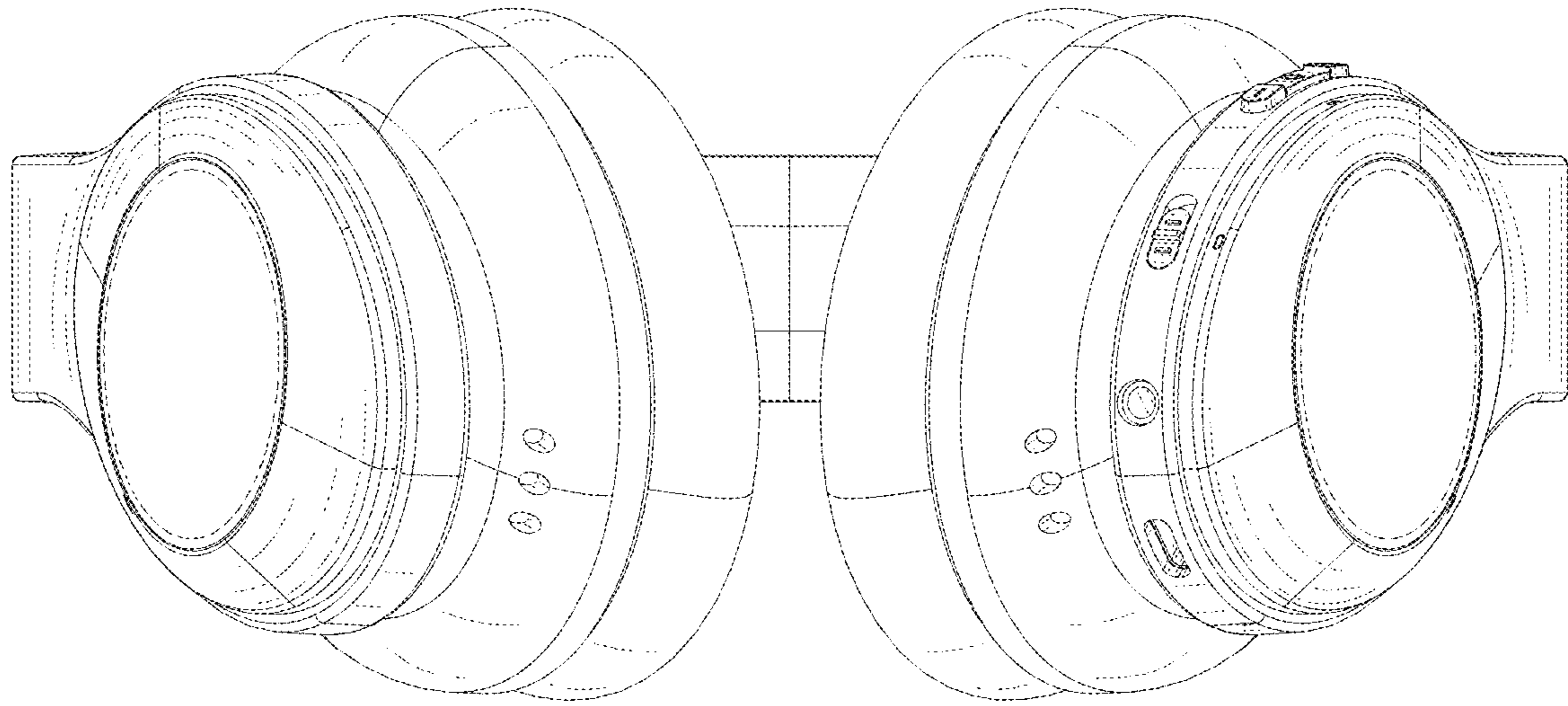


FIG. 8