



US00D904338S

(12) **United States Design Patent**  
**Treski et al.**

(10) **Patent No.:** **US D904,338 S**  
(45) **Date of Patent:** **\*\* Dec. 8, 2020**

(54) **HEADPHONES**

FOREIGN PATENT DOCUMENTS

(71) Applicant: **Apple Inc.**, Cupertino, CA (US)

EM 002377150-0001 12/2013  
JP 1318386 12/2007

(72) Inventors: **Eric Treski**, Manhattan Beach, CA (US); **Christina J. Smiechowski**, Hollywood, CA (US); **Robert D. Brunner**, San Francisco, CA (US); **Christopher Kuh**, San Francisco, CA (US); **Achille Biteau**, San Francisco, CA (US)

(Continued)

OTHER PUBLICATIONS

Office Action dated Dec. 10, 2010 for Russian Patent Application No. 2010501890.

(Continued)

(73) Assignee: **Apple Inc.**, Cupertino, CA (US)

*Primary Examiner* — Paula Allen Greene

(\*\*) Term: **15 Years**

(74) *Attorney, Agent, or Firm* — Sterne, Kessler, Goldstein & Fox P.L.L.C.

(21) Appl. No.: **29/697,456**

(22) Filed: **Jul. 9, 2019**

(57) **CLAIM**

**Related U.S. Application Data**

The ornamental design for headphones, as shown and described.

(63) Continuation of application No. 29/615,486, filed on Aug. 29, 2017, now Pat. No. Des. 853,986, which is a continuation of application No. 29/557,250, filed on Mar. 7, 2016, now Pat. No. Des. 796,474.

(51) **LOC (12) Cl.** ..... **14-01**

(52) **U.S. Cl.**  
USPC ..... **D14/205**

(58) **Field of Classification Search**  
USPC ..... D14/205, 188, 192; D29/112; 2/209; 381/380, 381, 374; 455/90.3, 575.1, 455/569.1

CPC ..... H04R 25/00; H04R 25/02; H04R 1/1066; H04R 1/1016; H04R 5/033; H04R 5/0335; H04R 1/1091; H04R 1/1033

See application file for complete search history.

**DESCRIPTION**

FIG. 1 is a top front perspective view of headphones showing the claimed design;  
FIG. 2 is a bottom front perspective view of thereof;  
FIG. 3 is a front view thereof;  
FIG. 4 is a rear view thereof;  
FIG. 5 is a left side view thereof;  
FIG. 6 is a right side view thereof;  
FIG. 7 is a top view thereof; and,  
FIG. 8 is a bottom view thereof.

The broken lines in the figures show portions of the headphones that form no part of the claimed design.

The pairs of closely-spaced wavy broken lines show symbolic breaks in the length of the headphone cable, and form no part of the claimed design. The appearance of any portion or length of the cable between the break lines forms no part of the claimed design.

(56) **References Cited**

U.S. PATENT DOCUMENTS

139,831 A 6/1873 Stone  
188,292 A 3/1877 Greenwood  
359,612 A 3/1877 Kleinert

(Continued)

**1 Claim, 6 Drawing Sheets**



(56)

References Cited

U.S. PATENT DOCUMENTS

1,066,511 A 7/1913 Markoff  
 3,073,410 A 1/1963 Gongoll et al.  
 3,104,398 A 9/1963 Palmaer  
 D244,300 S 5/1977 Besasie  
 4,173,715 A 11/1979 Gosman  
 D254,183 S 2/1980 Doodson  
 D254,876 S 5/1980 Reitenga et al.  
 4,634,816 A 1/1987 O'Malley et al.  
 D313,092 S 12/1990 Nilsson  
 5,018,599 A 5/1991 Dohi et al.  
 5,035,005 A 7/1991 Hung  
 D328,074 S 7/1992 Yamazaki et al.  
 D328,461 S 8/1992 Daido et al.  
 D338,010 S 8/1993 Yamatogi  
 D351,172 S 10/1994 Nakamura et al.  
 D358,389 S 5/1995 Isono  
 D375,825 S 11/1996 Whidden  
 D420,356 S 2/2000 Suzuki  
 D422,592 S 4/2000 Deguchi  
 6,081,604 A 6/2000 Hikichi et al.  
 D430,140 S 8/2000 Roman  
 D435,249 S 12/2000 Yasutomi  
 D449,038 S \* 10/2001 Andreini ..... D14/223  
 D457,512 S 5/2002 Yoneda  
 6,449,806 B1 9/2002 Engelhard et al.  
 6,496,589 B1 \* 12/2002 Pham ..... H04R 1/08  
 381/370  
 D468,723 S 1/2003 Pham et al.  
 D484,485 S 12/2003 Matsuoka  
 6,654,966 B2 12/2003 Rolla  
 D484,868 S 1/2004 Suzuki  
 6,678,897 B2 1/2004 Lindgren  
 D491,163 S 6/2004 Green  
 D502,938 S 3/2005 Tokioka et al.  
 D504,414 S 4/2005 Yoshida  
 D504,883 S 5/2005 Jacobson et al.  
 D512,708 S 12/2005 Harris et al.  
 D512,981 S 12/2005 Jacobson et al.  
 D517,043 S 3/2006 Jacobson et al.  
 7,072,483 B2 7/2006 Lenhard-Backhaus  
 D532,407 S 11/2006 Motoishi  
 D534,155 S 12/2006 Obata  
 D534,156 S 12/2006 Obata  
 7,172,052 B2 2/2007 Lenhard-Backhaus  
 D540,301 S 4/2007 Obata  
 D541,257 S 4/2007 Thursfield  
 D545,001 S 6/2007 Le Gette et al.  
 D552,077 S 10/2007 Brunner et al.  
 D557,684 S 12/2007 Pundsack et al.  
 D563,382 S 3/2008 Wikel  
 D563,995 S 3/2008 Deguchi et al.  
 D582,890 S 12/2008 Koza et al.  
 D584,715 S 1/2009 Brennwald  
 D585,870 S 2/2009 Zheng et al.  
 D585,871 S 2/2009 Lee  
 D585,872 S 2/2009 Lee  
 D588,098 S 3/2009 Kurihara  
 D588,100 S 3/2009 Densho et al.  
 D591,263 S 4/2009 Shimizu  
 D592,182 S 5/2009 Sanguinetti  
 D592,640 S 5/2009 Tkachuk

D593,995 S 6/2009 Shimizu  
 D597,072 S \* 7/2009 Asai ..... D14/206  
 D600,674 S 9/2009 Brennwald  
 D603,370 S 11/2009 Suzuki  
 D603,371 S 11/2009 Boateng et al.  
 7,650,649 B2 1/2010 LeGette et al.  
 D616,865 S 6/2010 Marchand et al.  
 D617,769 S 6/2010 Birger  
 7,735,154 B2 6/2010 Gellis et al.  
 D625,705 S 10/2010 Ohori et al.  
 D632,668 S 2/2011 Brunner et al.  
 D633,896 S 3/2011 Kondo et al.  
 D635,959 S 4/2011 Hutchieson  
 D637,176 S 5/2011 Brunner et al.  
 D639,776 S 6/2011 Arimoto  
 D641,725 S 6/2011 Chong et al.  
 D652,405 S 1/2012 Lee et al.  
 D657,344 S 4/2012 Brunner et al.  
 D657,345 S 4/2012 Brunner et al.  
 D660,824 S 5/2012 Hardi et al.  
 D674,767 S 1/2013 Brunner et al.  
 D689,463 S 9/2013 Hardi et al.  
 D691,112 S 10/2013 Brunner et al.  
 D696,226 S 12/2013 Brunner et al.  
 D698,749 S 2/2014 Brunner et al.  
 8,660,287 B2 2/2014 Stephenson  
 D702,210 S 4/2014 Birger  
 D707,200 S 6/2014 Yang  
 D713,817 S 9/2014 Paterson et al.  
 D720,721 S 1/2015 Lu  
 D722,591 S 2/2015 Son et al.  
 D725,630 S 3/2015 Nakagawa  
 9,084,055 B2 7/2015 Brunner et al.  
 D765,055 S \* 8/2016 Hsieh ..... D14/205  
 D765,056 S 8/2016 Yang et al.  
 D768,110 S 10/2016 Suzuki  
 D792,376 S \* 7/2017 Morimoto ..... D14/205  
 D796,474 S 9/2017 Treski et al.  
 D845,926 S \* 4/2019 Aoyagi ..... D14/205  
 D853,986 S 7/2019 Treski et al.  
 D875,708 S \* 2/2020 Tang ..... D14/205  
 D876,386 S \* 2/2020 Birger ..... D14/205  
 D877,715 S \* 3/2020 Hu ..... D14/205  
 D881,838 S \* 4/2020 Aoyagi ..... D14/205  
 D881,842 S \* 4/2020 Hu ..... D14/205  
 D884,671 S \* 5/2020 Cho ..... D14/205  
 2003/0210801 A1 11/2003 Naksen et al.  
 2005/0034218 A1 2/2005 LeGette et al.  
 2009/0010476 A1 \* 1/2009 Pan ..... H04R 1/1033  
 381/382  
 2011/0206216 A1 8/2011 Brunner et al.

FOREIGN PATENT DOCUMENTS

JP D1452709 S 9/2012  
 KR D30-0747000 S 6/2014  
 KR 300899307.0000 \* 3/2017

OTHER PUBLICATIONS

Global Sources Electronics, Headphones, Oct. 2014, p. 41 (JPO's Document HB26004292).

\* cited by examiner

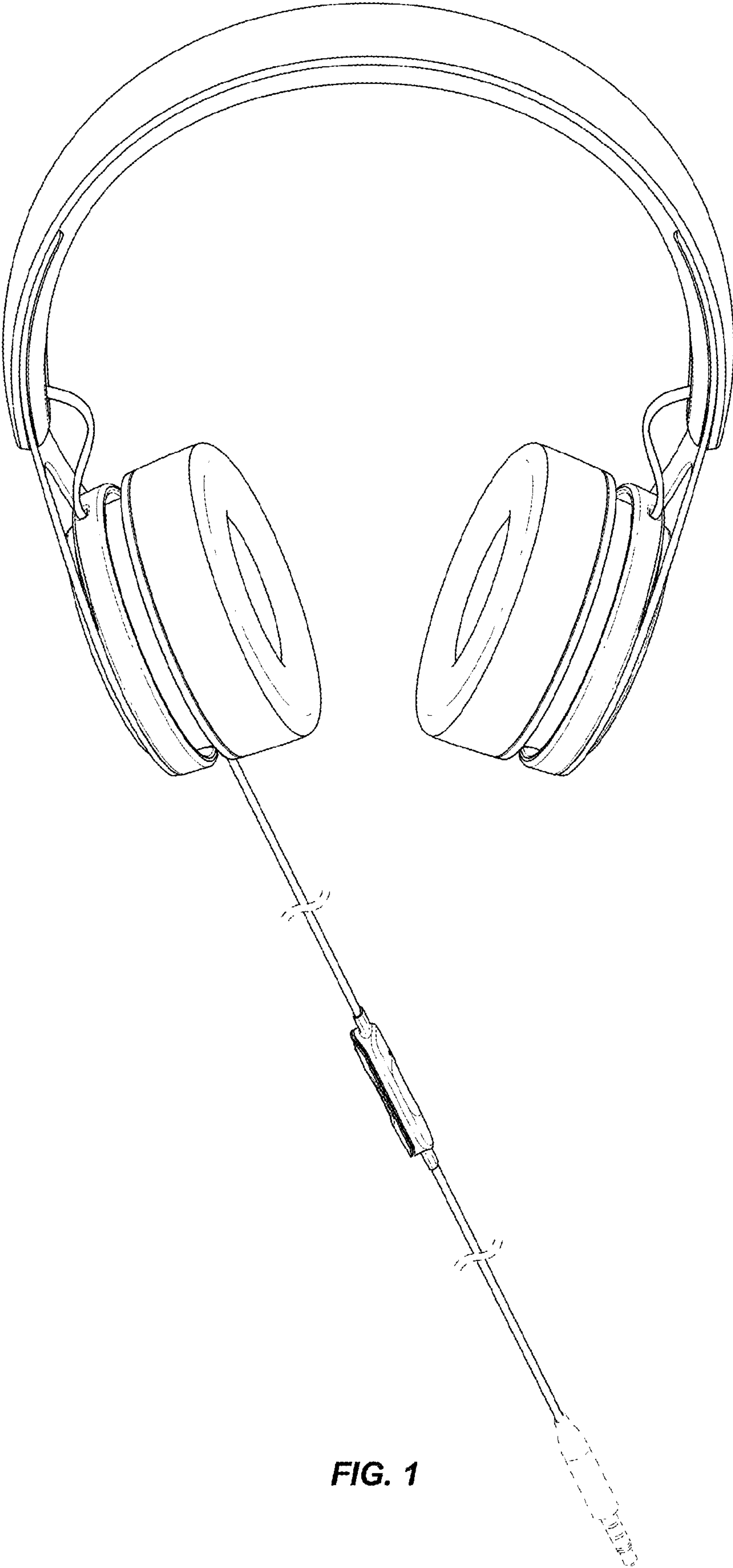


FIG. 1



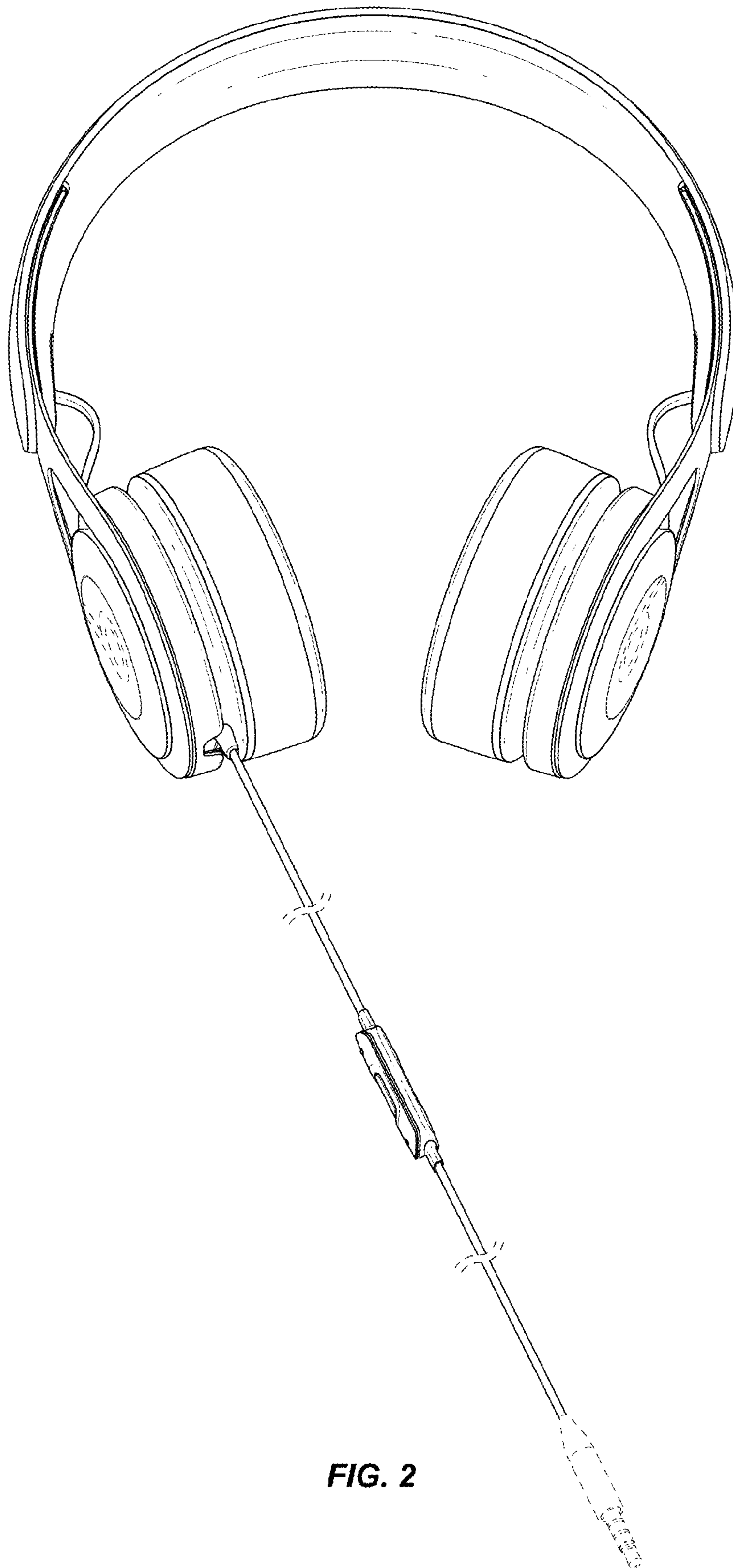
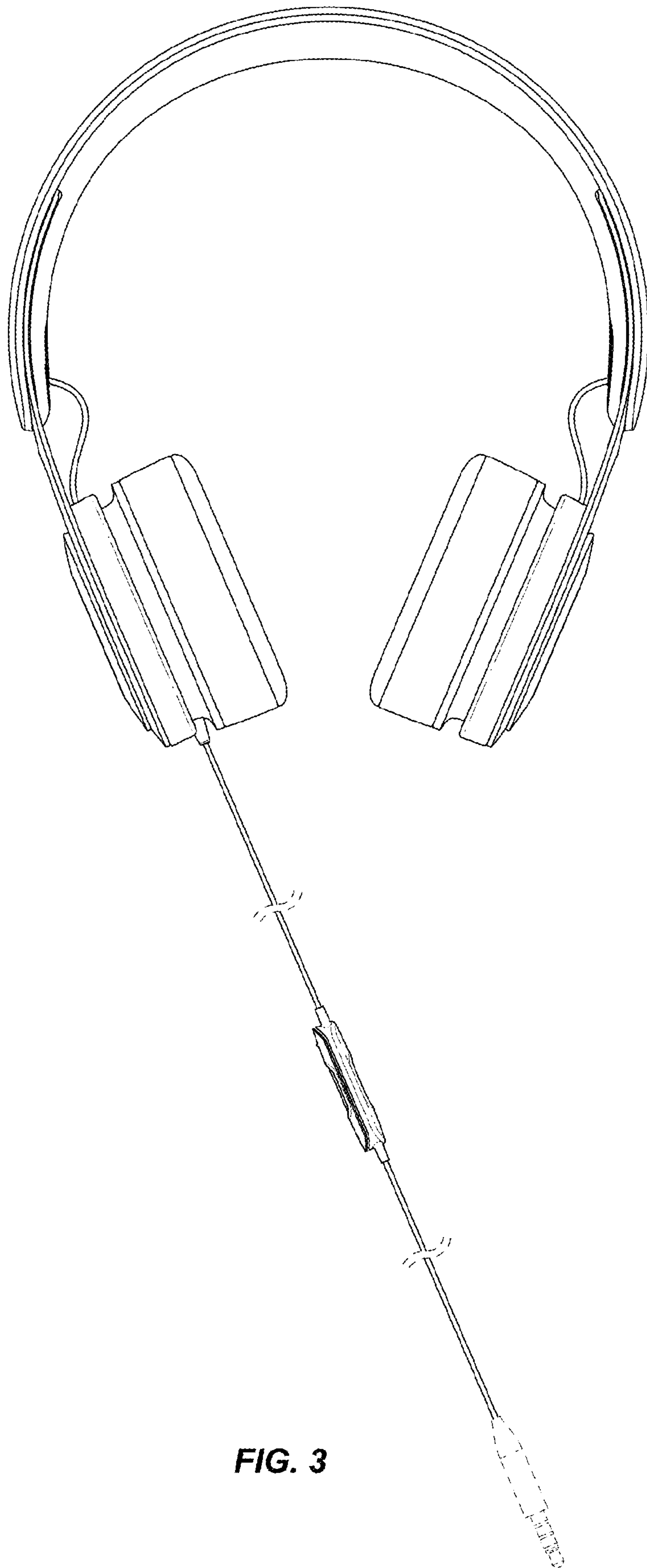


FIG. 2



**FIG. 3**

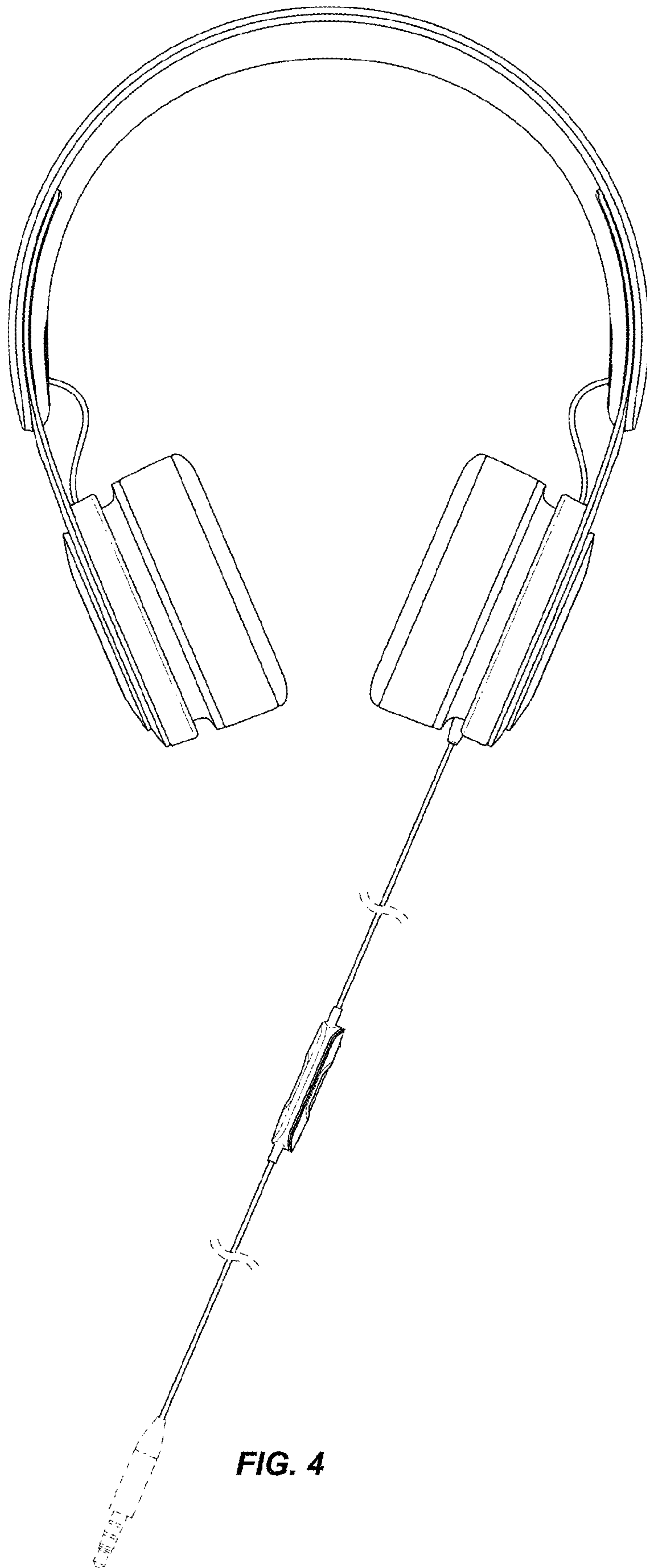
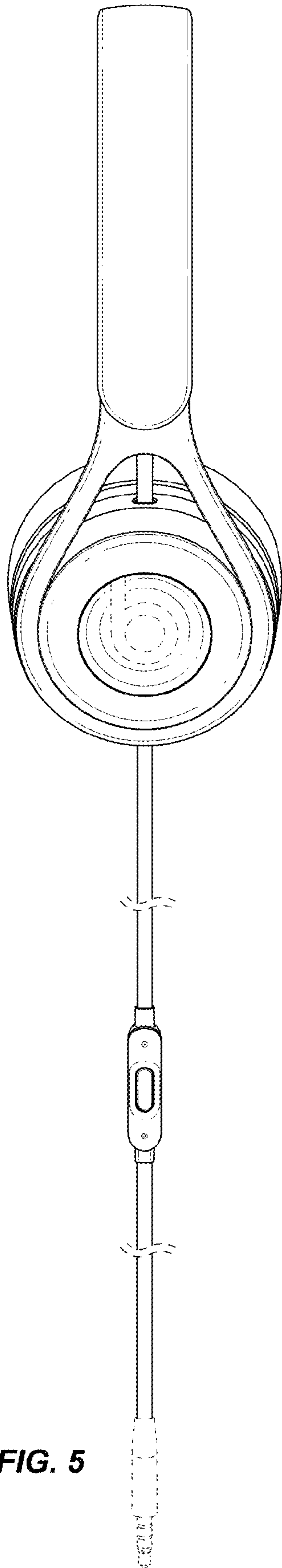
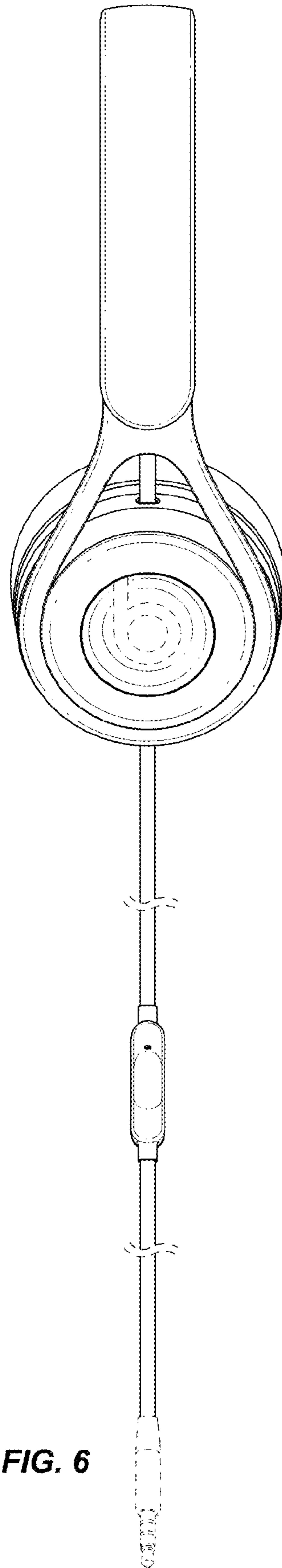


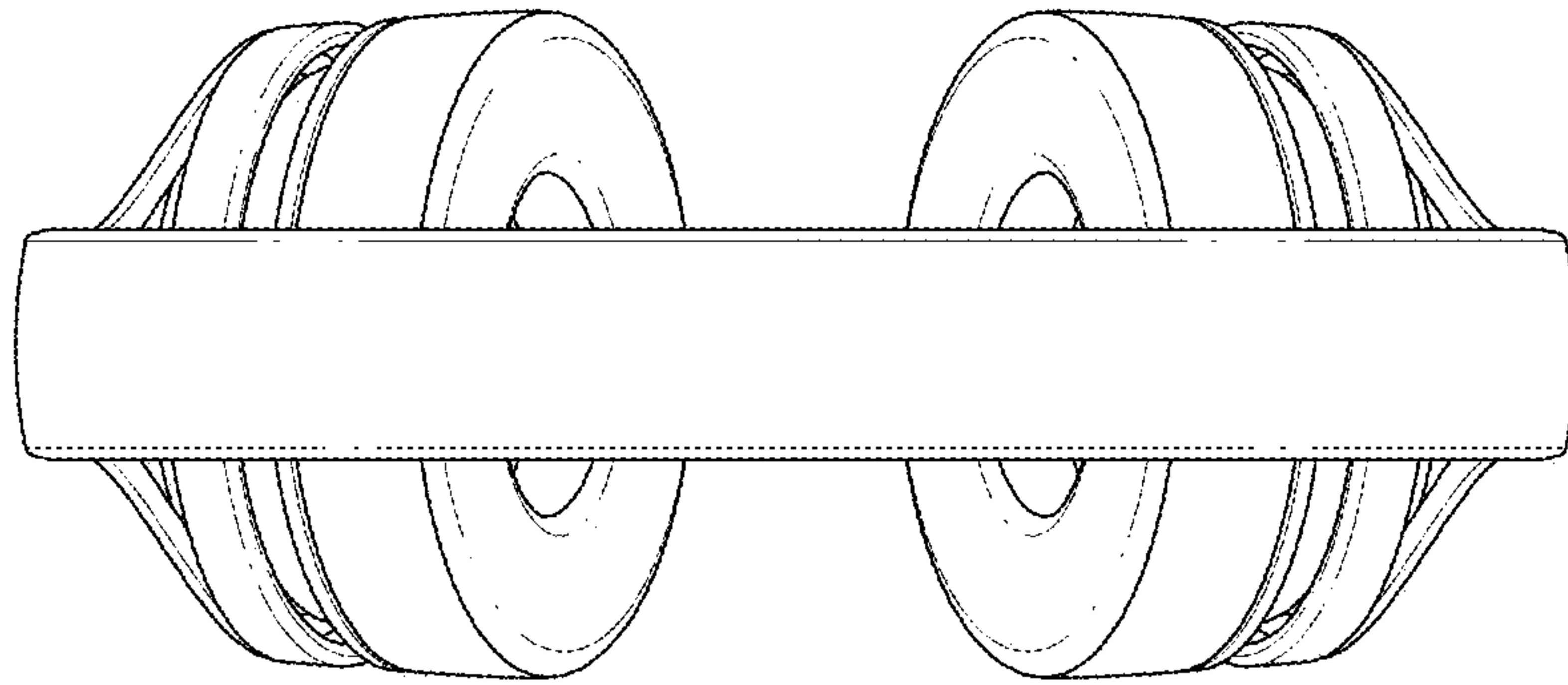
FIG. 4



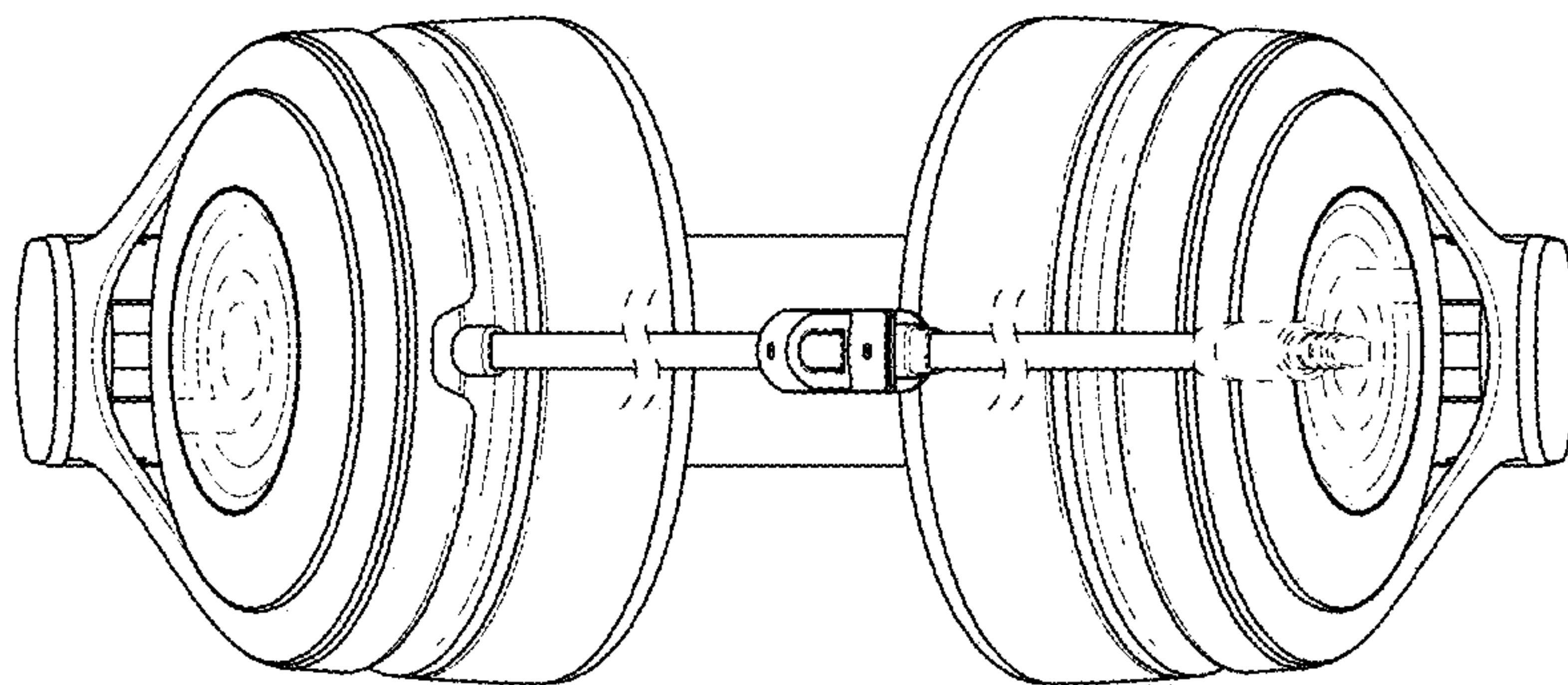
**FIG. 5**



**FIG. 6**



**FIG. 7**



**FIG. 8**